

- (√) Preliminary Specification  
( ) Final Specification

## BACKLIGHT SPECIFICATION

Product's Name: DLED43A  
Customer's Model NO:

For Customer's Acceptance Customer's Name:	
Approved by	Comment

Approved by	Checked by	Designed by

---

---

## CONTENTS

RECORD HISTORY	-----3
1. General Description	-----4
1.1 Overview	
1.2 Available OpenCell Ass'y	
2. BACKLIGHT Configuration	-----6
2.1 Factory Standard Configuration	
2.2 Other available configurations	
3. Reliability Test	-----6
4. Package Specification	-----7
5. Mechanical Drawing	-----8
6. Impression Drawing	-----9

---

---

**Record of Revision**

Version NO.	Revise Date	Page	Description
0.0	2016/ 03/ 20	-	Preliminary Specification(First Draft)

## 1. General Description

### 1.1 Overview

This specification applies to of the whole machine.

Technology Co.,Ltd430L05A1 backlight module

### 1.2 Available OpenCell Ass'y

No.	Manufacturer	Model	Specifications	Transmition	Remarks
1	AUO	T430QVNO1. 0	UHD		
2	AUO	T430HVN01. 0	FHD		
3	LG	LC430DUY-SHA1	FHD		
4	LG	LC430EGY-SHM1	FHD		
5	BOE	HV430FHB-N40	FHD		
6	LG	LC430EQ1-SHP1	UHD		
7	LG	LC430EGY-SHA1	UHD		
8	BOE	LSJ550HN02-W	FHD		
9	BOE	HV430FHB-N4A	FHD		
10	AU	T430HVN01. 2	HD		
11					
12					
13					
14					
15					
16					
17					
18					
19					
20					
21					
22					
23					
24					

The above information is only for reference, please take the material as the standard.


## 2 .BACKLIGHT Configuration

### 2.1 Factory Standard Configuration

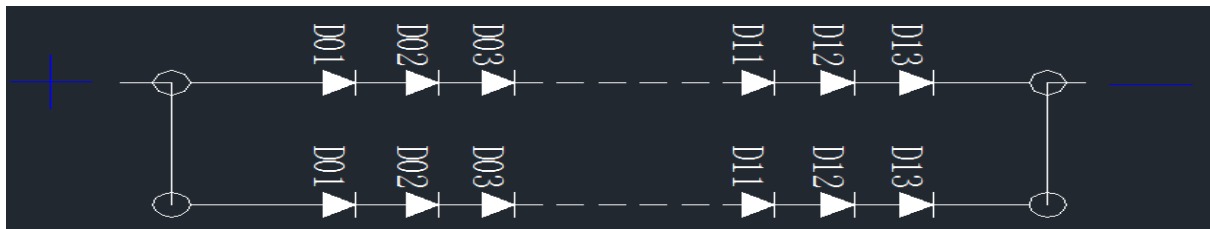
标准配置方案: 4\*13 + 一增一扩

#### 2.1.1 BACKLIGHT Electric Parameter(背光电气参数)

Parameter	Symbol	Value			Unit	Note
		Min.	Typ.	Max.		
BLU Voltage	U	78	-	88.4	V	IL =660mA
BLU Power	P		52	--	W	IL =660mA
BLU Current	I	--	600	660	mA	
BLU lifetime	T	30000			h	(1)

Note (1) The lifetime is defined as the time which luminance of the LED decays to 50% compared to the initial value, Operating condition: Continuous operating at Ta = 25 ± 2°C, IL = 330mA

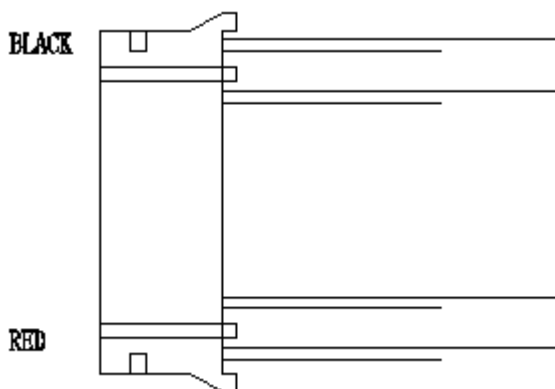
#### 2.1.2 BACK LIGHT Electrical Circuit (背光电路)



PER LED light bar circuit is(1)Parallel (13)Series, Backlight circuit is(2)Parallel (26)Series

#### 2.1.3 Backlight UNIT Connector Definition (背光接口)

Backlight Input connector model: PHR-6(JST) PITCH2.0mm \*1 (一路 PH2.0 6pin 插头)

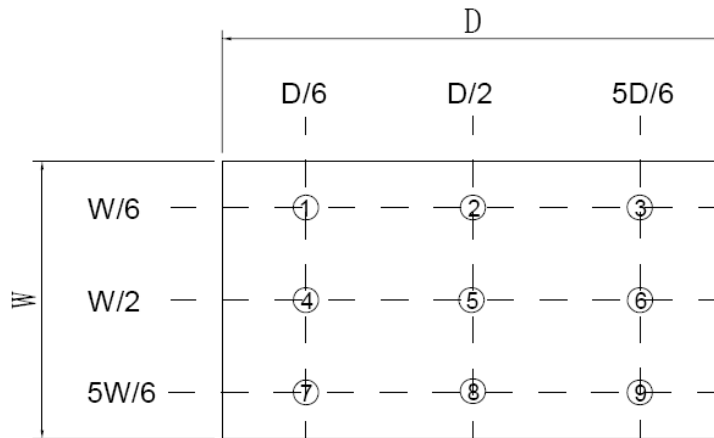


**2.1.4 BACKLIGHT Optical Characteristics (背光光学参数)**

项目	符号	最小值	典型值	最大值	单位	测试条件
电压	Vf	78	--	88.4	V	If= 660mA
电流	Ir	--	600	660	mA	If= 660mA
中心点亮度	Lv	--	5000	--	cd/m <sup>2</sup>	If= 660mA
均匀性	U	--	65	--	%	
色座标	X	0.225	0.255	0.385		IF=660mA Ta=25°C Each chip
	Y	0.200	0.220	0.250		

- 注 1: 测试条件: 1) 时间: 点亮 5 分钟后;  
 2) 测试环境: 暗室 (10Lux 以下)  
 3) 辉度、色坐标测试点: 见下图  
 4) 光学特性测试点图

注 2: 均匀性  $\Delta I = (I_{MIN} \div I_{MAX}) \times 100\%$

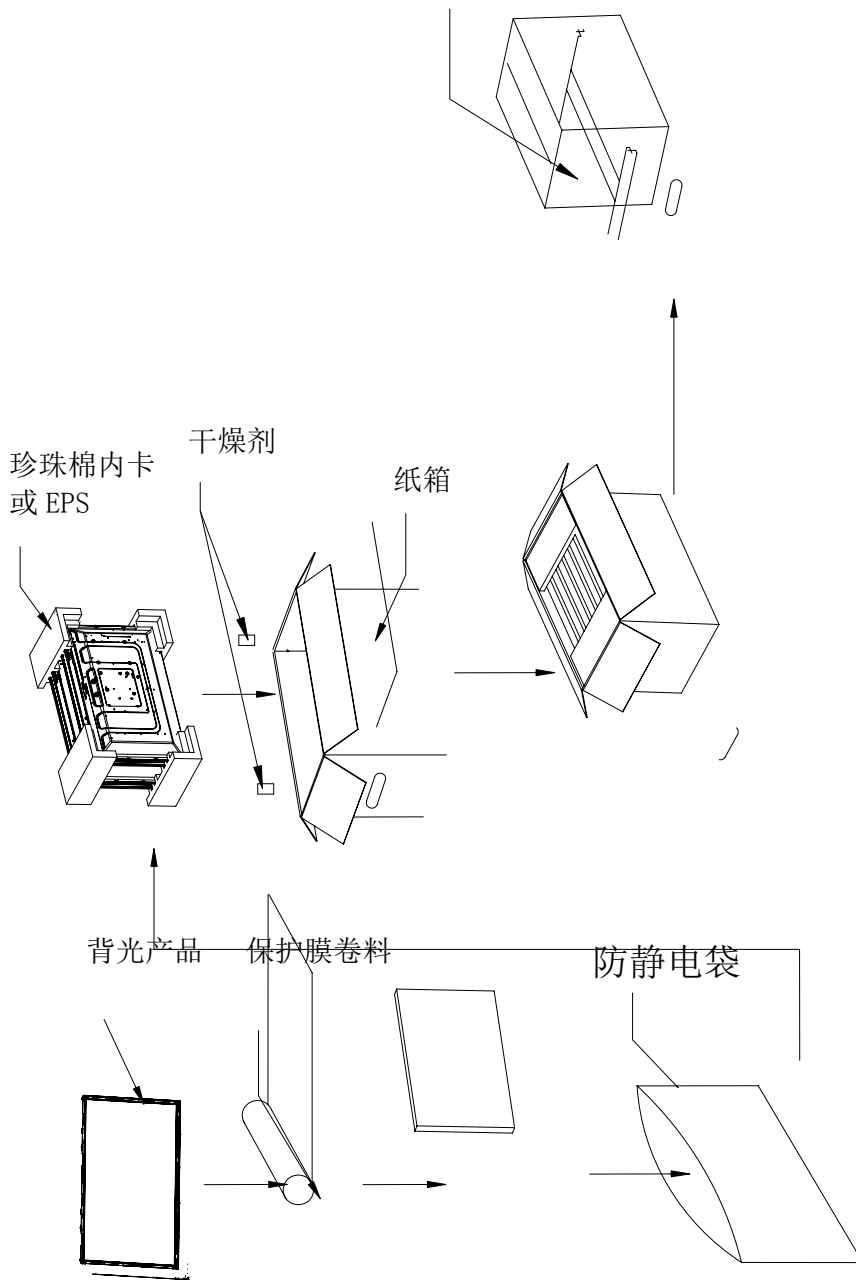


**3. Reliability Test**

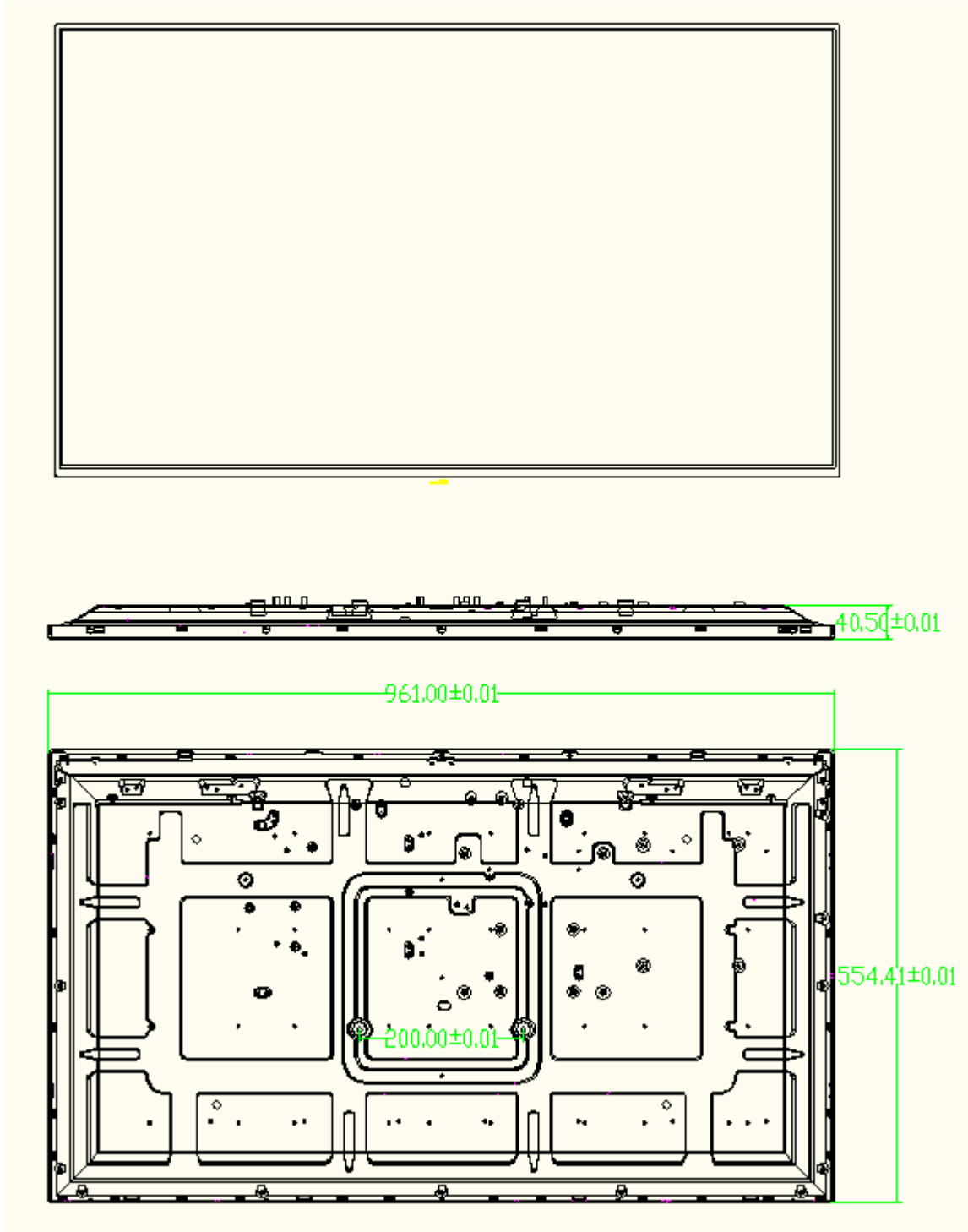
	Test Item	Q'ty	Condition
1	High temperature storage test	3	60°C,300hrs
2	Low temperature storage test	3	-20°C,300hrs
3	High temperature operation test	3	50°C,300hrs
4	Low temperature operation test	3	-5°C,300hrs
5	Drop test (With carton)	3	Height: 50cm 1 corner, 3 edges, 6 surfaces (ASTMD4169-I)

#### 4. Package Specification

1 个纸箱装满共 4PCS 产品



5.Mechanical Drawing





**6. Impression Drawing**