



**DC COMPONENTS CO., LTD.**  
RECTIFIER SPECIALISTS

**DLM103A  
THRU  
DLM103C**

**TECHNICAL SPECIFICATIONS OF SURFACE MOUNT SCHOTTKY BARRIER DIODES**  
VOLTAGE RANGE - 20 to 40 Volts CURRENT - 0.35 Ampere

**FEATURES**

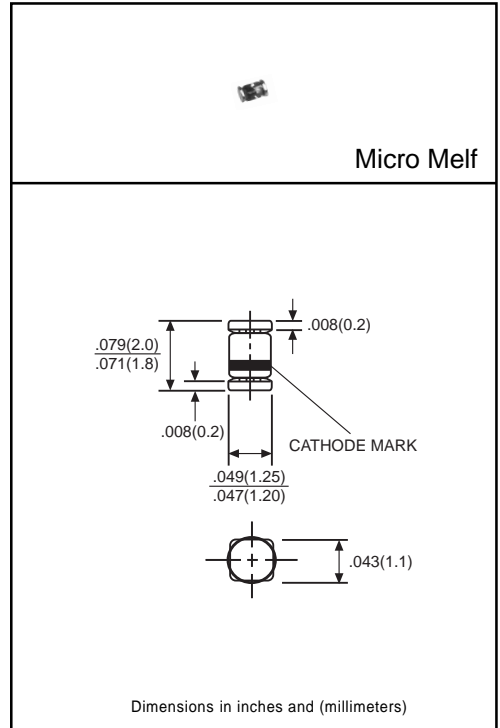
- \* For general purpose applications
- \* Low turn-on voltage
- \* Fast switching time
- \* Protected by a PN junction guard ring against excessive voltage, such as electrostatic discharge(ESD)

**MECHANICAL DATA**

- \* Case: Glass sealed case Micro Melf
- \* Terminals: Solder plated solderable per MIL-STD-750, Method 2026
- \* Polarity: Color band denotes cathode end
- \* Mounting position: Any
- \* Weight: 0.05 gram approx.

**MAXIMUM RATINGS AND ELECTRICAL CHARACTERISTICS**

Ratings at 25°C ambient temperature unless otherwise specified.  
Single phase, half wave, 60Hz, resistive or inductive load.  
For capacitive load, derate current by 20%.



	SYMBOL	DLM103A	DLM103B	DLM103C	UNITS
Maximum Recurrent Peak Reverse Voltage	V <sub>RRM</sub>	40	30	20	Volts
Maximum RMS Voltage	V <sub>RMS</sub>	28	21	14	Volts
Maximum DC Blocking Voltage	V <sub>DC</sub>	40	30	20	Volts
Maximum Average Forward Rectified Current at T <sub>A</sub> =25°C	I <sub>O</sub>	0.35			Amps
Peak Forward Surge Current 8.3 ms single half sine-wave superimposed on rated load (JEDEC Method)	I <sub>FSM</sub>	2.0			Amps
Maximum Instantaneous Forward Voltage	V <sub>F</sub>	@ I <sub>F</sub> =0.2A			Volts
		@ I <sub>F</sub> =0.02A			
Maximum DC Reverse Current	I <sub>R</sub>	5.0 @ V <sub>R</sub> =30V	5.0 @ V <sub>R</sub> =20V	5.0 @ V <sub>R</sub> =10V	μAmps
Typical Thermal Resistance (Note1)	R <sub>θJA</sub>	300			°C/W
Typical Junction Capacitance (Note 2)	C <sub>J</sub>	50			pF
Storage Operating Temperature Range	T <sub>J</sub> , T <sub>STG</sub>	-55 to + 125			°C

Note: 1. Terminals maintained at specified at ambient temperature.  
2. Measured at 1 MHz and applied reverse voltage of 0 volts.

# RATING AND CHARACTERISTIC CURVES (DLM103A THRU DLM103C)

FIG. 1 - TYPICAL FORWARD CURRENT DERATING CURVE

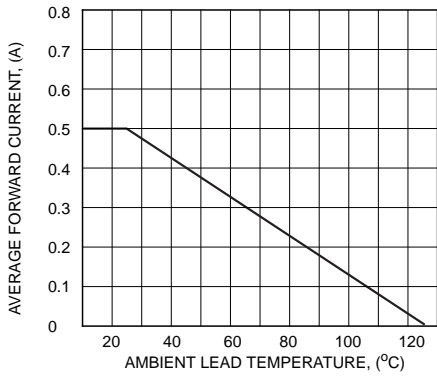


FIG. 2 - TYPICAL INSTANTANEOUS FORWARD CHARACTERISTICS

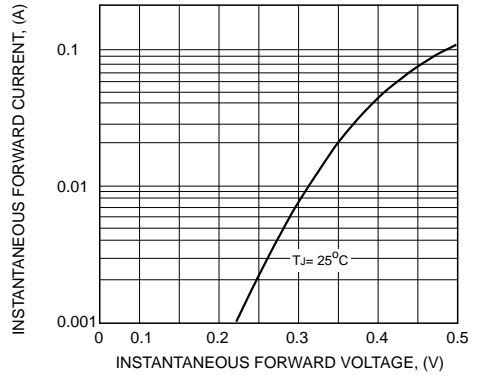


FIG. 3 - TYPICAL REVERSE CHARACTERISTICS

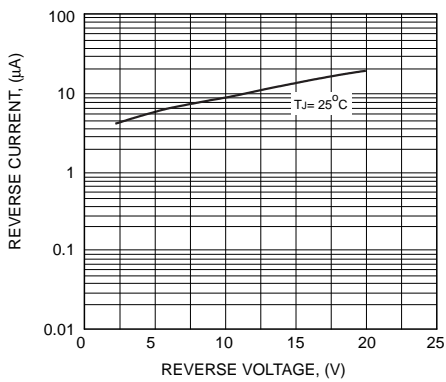


FIG. 4 - TYPICAL REVERSE CHARACTERISTICS

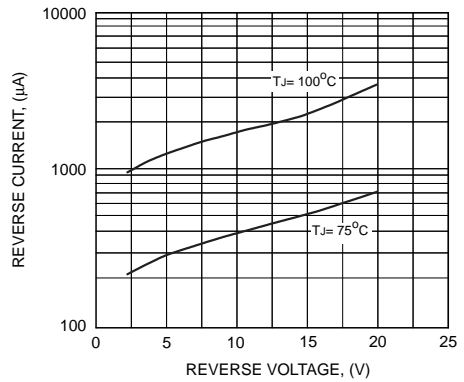


FIG. 5 - TYPICAL JUNCTION CAPACITANCE

