

# Preliminary



- **Field Node with Host Serial Interface**
- **Compatible with RFM miniMESH™ Network Protocol**
- **3 V, Very Low Current Operation**
- **Ready-to-Use OEM Module**

The DM1800-434MN is the 433.92 MHz field node module in the DM1800 family of RF transceivers. The DM1800 family is designed for adding embedded wireless connectivity to a wide range of monitoring and control systems. The DM1800-434MN is equipped with a serial I/O port to interface to a host microcontroller. The module also includes an analog input, a logic input, and a logic output for monitoring and control. Radio communications range in an “open field” environment is typically 200 meters/hop. The DM1800-434MN combines RFM’s very low current ASH radio technology with low power microcontroller technology to achieve long battery life. This module is compatible with RFM’s miniMESH™ network protocol, which provides add-on “plug- and-play” multicast mesh network routing. The DM1800-434MN is designed for operation under ETSI I-ETS 300 220 regulations.

## Absolute Maximum Ratings

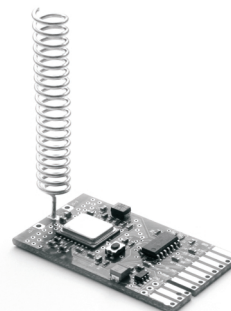
| Rating                                  | Value        | Units |
|---|--------------|-------|
| All Input/Output Pins Except VIN        | -0.3 to +3.3 | V     |
| Non-Operating Ambient Temperature Range | -50 to +100  | °C    |

## Electrical Characteristics

| Characteristic  | Sym      | Notes | Minimum | Typical | Maximum | Units             |
|---|----------|-------|---------|---------|---------|-------------------|
| Operating Frequency   | $f_o$    |       | 433.72  |         | 434.12  | MHz               |
| Modulation Type   |          |       |         | OOK     |         |                   |
| RF Encoded Data Transmission Rate                             |          |       |         | 4.8     |         | kb/s              |
| Average Receiver Input Current, No External Power Supply Load | $I_R$    |       |         | 4       |         | mA                |
| Receiver Input Signal for $10^{-3}$ BER, 25 °C                |          |       |         | -103    |         | dBm               |
| Peak Transmitter Input Current, No External Power Supply Load | $I_{TP}$ |       |         |         | 13.5    | mA                |
| Peak Transmitter Output Power                                 | $P_O$    |       |         | 1       |         | mW                |
| Analog Input Measurement Range (10-bit ADC)                   |          |       | 0       |         | VOUT    | V                 |
| Source Impedance to Analog Input                              |          |       |         |         | 10      | K                 |
| Digital In Logic High   |          |       | 2.4     |         |         | V                 |
| Digital In Logic Low  |          |       |         |         | .45     | V                 |
| Digital Out Logic High, No Load                               |          |       | 2.4     |         |         | V                 |
| Digital In Logic Low, No Load                                 |          |       |         |         | 0.3     | V                 |
| Digital Output Source Current, 1K load                        |          |       |         | 1.1     |         | mA                |
| Digital Output Sink Current, 1K load                          |          |       |         | 1.2     |         | mA                |
| Serial Port Data Rate   |          |       |         | 9.6     |         | kb/s              |
| Power Supply Input Voltage Range, -40 to +85 °C               | VIN      |       | 3.1     |         | 14      | V                 |
| Power Supply Input Voltage Range, 0 to +85 °C                 | VIN      |       | 2.6     |         | 14      | V                 |
| Regulated Power Supply Output Voltage, VIN 3.1 to 14 V        | VOUT     |       |         | 3.0     |         | Vdc               |
| Regulated Power Supply Voltage Ripple                         |          |       |         |         | 10      | mV <sub>P-P</sub> |

**DM1800-434MN**

**433.92 MHz Transceiver Module**



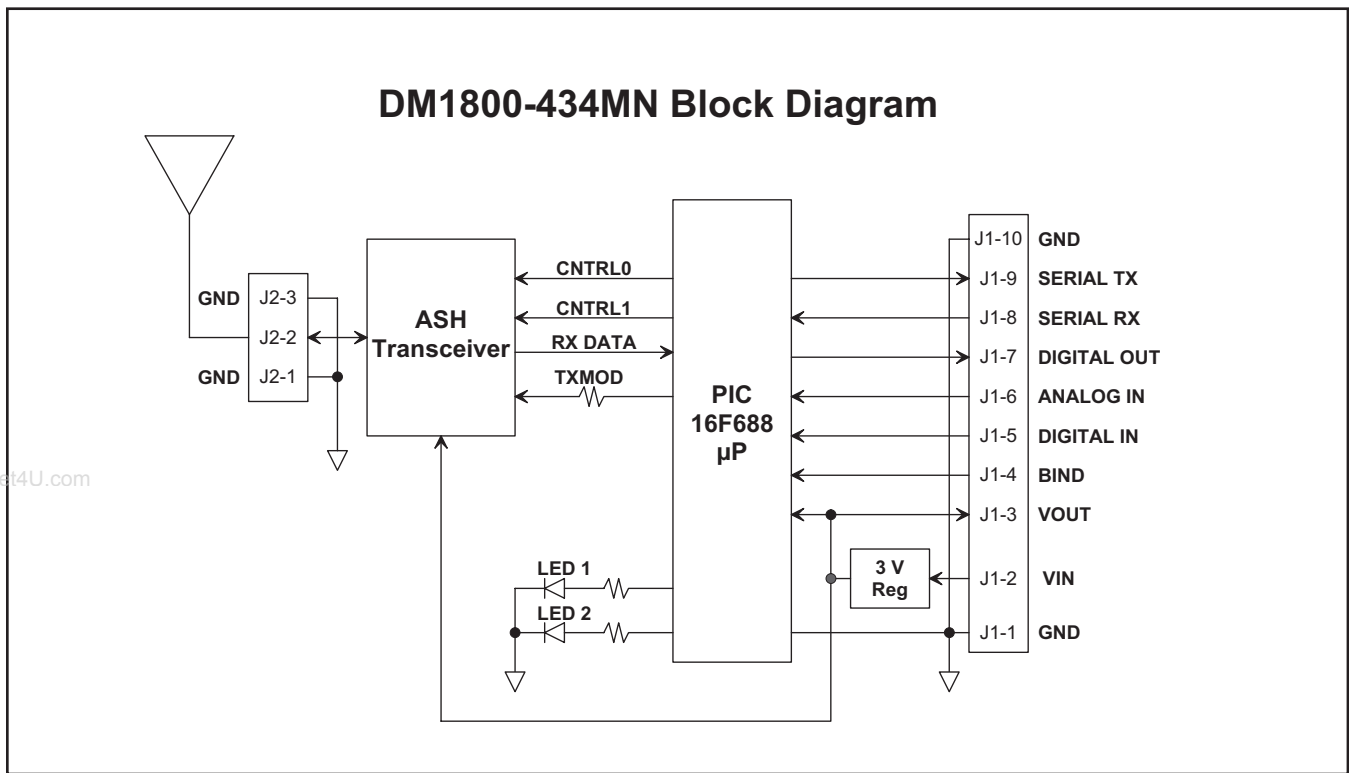


Figure 1

### Theory of Operation

The major components of the DM1800-433.92MN include an RFM TR3000 ASH transceiver and a Microchip PIC16F688 microcontroller. The TR3000 operates on a frequency of 433.92 MHz, at a nominal output power of 1 mW.

The 16F688 provides a 9.6 kb/s serial interface for communication with a host microcontroller. A companion interface board is also available with USB bridge circuitry to interface the DM1800 to a host PC. Three of the 16F688 I/O pins are configured for external monitoring or control. Digital In is config-

ured as a logic input with a weak pull-up for sensing a contact closure to a DM1800 ground pad. Digital Out is configured a logic output. Analog In is configured as a 10-bit analog-to-digital input. The DM1800 includes two LEDs that indicate the module's operating mode. The LEDs can be disabled for low current operation.

The DM1800-434MN is compatible with RFM's miniMESH™ network protocol, which provides add-on "plug-and-play" multicast mesh network routing to improve communication range and robustness.

## DM1800-434MN I/O Pad Descriptions

| Pin   | Name        | Description  |
|-------|-------------|--|
| J1-1  | GND         | This pad is a signal and power supply ground.  |
| J1-2  | VIN         | This is the power supply input pad. The allowed input voltage range is 2.6 to 14 V.  |
| J1-3  | VOUT        | VOUT tracks 50 to 100 mV below VIN when VIN is in the range of 2.6 to 3.1 V. When VIN is in the range of 3.1 to 14 V, VOUT is regulated at 3.0 Vdc. Up to 10 mA can be supplied from this pad for powering external circuits such as thermistor-resistor networks. External circuitry must not impress more than 10 mV <sub>p-p</sub> ripple on the regulated output voltage.                      |
| J1-4  | BIND        | This pad is connected to a logic input on the microcontroller, and is configured with a weak pull-up. When this pin is momentarily grounded (to J1-1 or J1-10, the module is placed into the bind mode, allowing this module to be associated with other modules to form a network.  |
| J1-5  | DIGITAL IN  | This pad is connected to a logic input on the microcontroller, and is configured with a weak pull-up, allowing both logic signals and contact closures referenced to J-1 or J-10 to be read. The value of this input is sent over the RF channel as a response to an RF command. The input voltage range on this pad is 0 to VOUT. Applying a voltage outside of this range may damage the module. |
| J1-6  | ANALOG IN   | This pad is the input to the microcontroller's 10-bit analog-to-digital (ADC) converter. The ADC input range is 0 to VOUT, referenced to J1-1 or J1-10. The input voltage range on this pad is 0 to VOUT. Applying a voltage outside of this range may damage the module. The ADC reading is sent over the RF channel as a response to an RF command.  |
| J1-7  | DIGITAL OUT | This pad is connected to a logic output on the microcontroller through a 1 kilohm resistor, which provides short-circuit protection. The value of this output is set or read over the RF channel as a response to an RF command.   |
| J1-8  | SERIAL RX   | This pad is connected to the module's serial data input (USART). Data to this pin is received at 9.6 kb/s, using 8 data bits, no parity, and one stop bit. The input voltage range on this pad is 0 to VOUT. Applying a voltage outside of this range may damage the module.   |
| J1-9  | SERIAL TX   | This pad is connected to the module's serial data output (USART) through a 1 kilohm resistor, which provides short-circuit protection. Data from this pad is sent at 9.6 kb/s, using 8 data bits, no parity, and one stop bit.   |
| J1-10 | GND         | This pad is a signal and power supply ground.  |
| J2-1  | GND         | This pad is a ground for the antenna port.   |
| J2-2  | ANT         | This pad is the antenna port.  |
| J2-3  | GND         | This pad is a ground for the antenna port.   |

## DM1800-434MN I/O Pad Labels

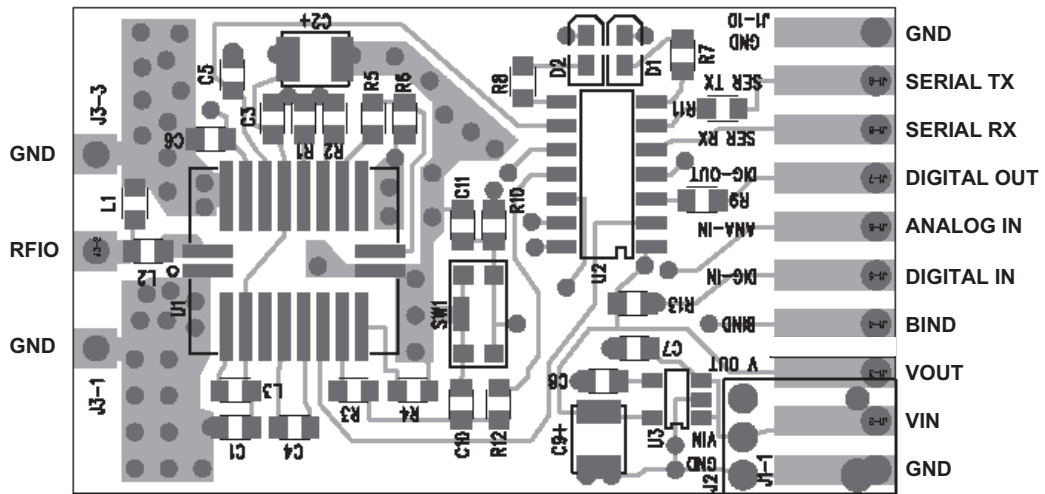
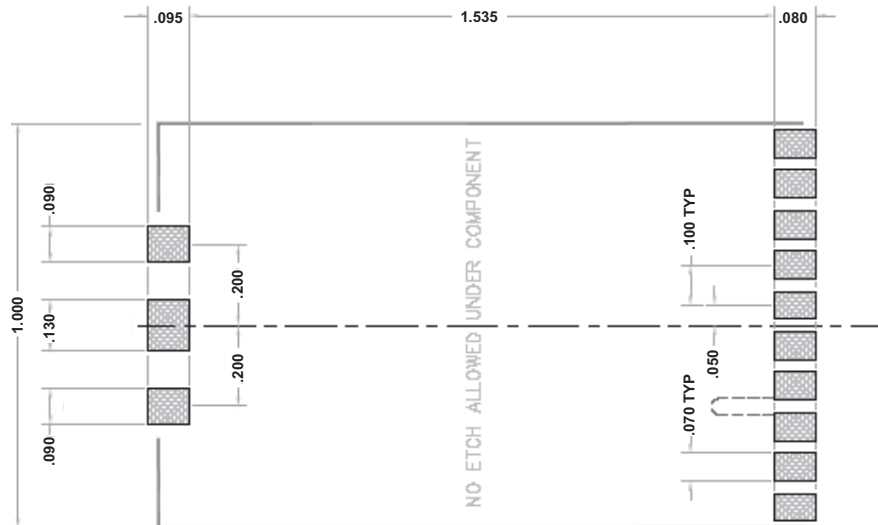


Figure 2

## DM1800-434MN SMT Mounting Pattern



Dimensions in inches. PCB plus component height is .170 max;  
PCB plus antenna height is 2.15 max

Figure 3

Note: Specifications subject to change without notice.

file: dm1800nj.vp, 2005.11.11 rev