



5490/DM5490A/DM7490A, DM5493A/DM7493A Decade, and Binary Counters

General Description

Each of these monolithic counters contains four master-slave flip-flops and additional gating to provide a divide-by-two counter and a three-stage binary counter for which the count cycle length is divide-by-five for the 90A and divide-by-eight for the 93A.

All of these counters have a gated zero reset and the 90A also has gated set-to-nine inputs for use in BCD nine's complement applications.

To use their maximum count length (decade or four-bit binary), the B input is connected to the Q_A output. The input count pulses are applied to input A and the outputs are as described in the appropriate truth table. A symmetrical divide-by-ten count can be obtained from the 90A counters by

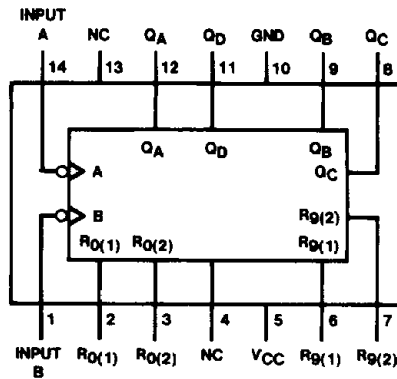
connecting the Q_D output to the A input and applying the input count to the B input which gives a divide-by-ten square wave at output Q_A .

Features

- Typical power dissipation
 - 90A 145 mW
 - 93A 130 mW
- Count frequency 42 MHz
- Alternate Military/Aerospace device (5490) is available. Contact a National Semiconductor Sales Office/Distributor for specifications.

Connection Diagrams

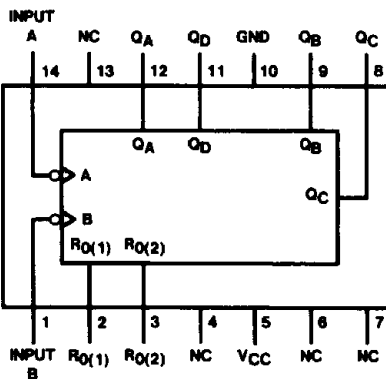
Dual-In-Line Package



TL/F/6533-1

Order Number 5490DMQB, 5490FMQB, DM5490AJ, DM5490AW or DM7490AN
See NS Package Number J14A, N14A or W14B

Dual-In-Line Package



TL/F/6533-2

Order Number DM5493AJ, DM5493AW or DM7493AN
See NS Package Number J14A, N14A or W14B

Absolute Maximum Ratings (Note)

If Military/Aerospace specified devices are required, please contact the National Semiconductor Sales Office/Distributors for availability and specifications.

Supply Voltage	7V
Input Voltage	5.5V
Operating Free Air Temperature Range	
DM54 and 54	−55°C to +125°C
DM74	0°C to +70°C
Storage Temperature Range	−65°C to +150°C

Note: The "Absolute Maximum Ratings" are those values beyond which the safety of the device cannot be guaranteed. The device should not be operated at these limits. The parametric values defined in the "Electrical Characteristics" table are not guaranteed at the absolute maximum ratings. The "Recommended Operating Conditions" table will define the conditions for actual device operation.

Recommended Operating Conditions

Symbol	Parameter		DM5490A			DM7490A			Units
			Min	Nom	Max	Min	Nom	Max	
V _{CC}	Supply Voltage		4.5	5	5.5	4.75	5	5.25	V
V _{IH}	High Level Input Voltage		2			2			V
V _{IL}	Low Level Input Voltage				0.8			0.8	V
I _{OH}	High Level Output Current				−0.8			−0.8	mA
I _{OL}	Low Level Output Current				16			16	mA
f _{CLK}	Clock Frequency (Note 5)	A	0		32	0		32	MHz
		B	0		16	0		16	
t _w	Pulse Width (Note 5)	A	15			15			ns
		B	30			30			
		Reset	15			15			
t _{REL}	Reset Release Time (Note 5)		25			25			ns
T _A	Free Air Operating Temperature		−55		125	0		70	°C

'90A Electrical Characteristics

over recommended operating free air temperature range (unless otherwise noted)

Symbol	Parameter	Conditions	Min	Typ (Note 1)	Max	Units
V _I	Input Clamp Voltage	V _{CC} = Min, I _I = −12 mA			−1.5	V
V _{OH}	High Level Output Voltage	V _{CC} = Min, I _{OH} = Max V _{IL} = Max, V _{IH} = Min	2.4	3.4		V
V _{OL}	Low Level Output Voltage	V _{CC} = Min, I _{OL} = Max V _{IH} = Min, V _{IL} = Max (Note 4)		0.2	0.4	V
I _I	Input Current @ Max Input Voltage	V _{CC} = Max, V _I = 5.5V			1	mA
I _{IH}	High Level Input Current	V _{CC} = Max V _I = 2.7V	A		80	μA
			Reset		40	
			B		120	
I _{IL}	Low Level Input Current	V _{CC} = Max V _I = 0.4V	A		−3.2	mA
			Reset		−1.6	
			B		−4.8	
I _{OS}	Short Circuit Output Current	V _{CC} = Max (Note 2)	DM54	−20	−57	mA
			DM74	−18	−57	
I _{CC}	Supply Current	V _{CC} = Max (Note 3)		29	42	mA

Note 1: All typicals are at V_{CC} = 5V, T_A = 25°C.

Note 2: Not more than one output should be shorted at a time.

Note 3: I_{CC} is measured with all outputs open, both RO inputs grounded following momentary connection to 4.5V, and all other inputs grounded.

Note 4: Q_A outputs are tested at I_{OL} = Max plus the limit value of I_{IL} for the B input. This permits driving the B input while maintaining full fan-out capability.

Note 5: T_A = 25°C and V_{CC} = 5V.

'90A Switching Characteristicsat $V_{CC} = 5V$ and $T_A = 25^\circ C$ (See Section 1 for Test Waveforms and Output Load)

Symbol	Parameter	From (Input) To (Output)	$R_L = 400\Omega$ $C_L = 15\text{ pF}$		Units
			Min	Max	
f_{MAX}	Maximum Clock Frequency	A to Q_A	32		MHz
		B to Q_B	16		
t_{PLH}	Propagation Delay Time Low to High Level Output	A to Q_A		16	ns
t_{PHL}	Propagation Delay Time High to Low Level Output	A to Q_A		18	ns
t_{PLH}	Propagation Delay Time Low to High Level Output	A to Q_D		48	ns
t_{PHL}	Propagation Delay Time High to Low Level Output	A to Q_D		50	ns
t_{PLH}	Propagation Delay Time Low to High Level Output	B to Q_B		16	ns
t_{PHL}	Propagation Delay Time High to Low Level Output	B to Q_B		21	ns
t_{PLH}	Propagation Delay Time Low to High Level Output	B to Q_C		32	ns
t_{PHL}	Propagation Delay Time High to Low Level Output	B to Q_C		35	ns
t_{PLH}	Propagation Delay Time Low to High Level Output	B to Q_D		32	ns
t_{PHL}	Propagation Delay Time High to Low Level Output	B to Q_D		35	ns
t_{PLH}	Propagation Delay Time Low to High Level Output	SET-9 to Q_A, Q_D		30	ns
t_{PHL}	Propagation Delay Time High to Low Level Output	SET-9 to Q_B, Q_C		40	ns
t_{PHL}	Propagation Delay Time High to Low Level Output	SET-0 Any Q		40	ns

Recommended Operating Conditions

Symbol	Parameter		DM5493A			DM7493A			Units
			Min	Nom	Max	Min	Nom	Max	
V _{CC}	Supply Voltage		4.5	5	5.5	4.75	5	5.25	V
V _{IH}	High Level Input Voltage		2			2			V
V _{IL}	Low Level Input Voltage				0.8			0.8	V
I _{OH}	High Level Output Current				-0.8			-0.8	mA
I _{OL}	Low Level Output Current				16			16	mA
f _{CLK}	Clock Frequency (Note 5)	A	0		32	0		32	MHz
		B	0		16	0		16	
t _w	Pulse Width (Note 5)	A	15			15			ns
		B	30			30			
		Reset	15			15			
t _{REL}	Reset Release Time (Note 5)		25			25			ns
T _A	Free Air Operating Temperature		-55		125	0		70	°C

'93A Electrical Characteristics

over recommended operating free air temperature range (unless otherwise noted)

Symbol	Parameter	Conditions	Min	Typ (Note 1)	Max	Units
V _I	Input Clamp Voltage	V _{CC} = Min, I _I = -12 mA			-1.5	V
V _{OH}	High Level Output Voltage	V _{CC} = Min, I _{OH} = Max V _{IL} = Max, V _{IH} = Min	2.4	3.4		V
V _{OL}	Low Level Output Voltage	V _{CC} = Min, I _{OL} = Max V _{IH} = Min, V _{IL} = Max (Note 4)		0.2	0.4	V
I _I	Input Current @ Max Input Voltage	V _{CC} = Max, V _I = 5.5V			1	mA
I _{IH}	High Level Input Current	V _{CC} = Max V _I = 2.4V	Reset		40	μA
			A		80	
			B		80	
I _{IL}	Low Level Input Current	V _{CC} = Max V _I = 0.4V	Reset		-1.6	mA
			A		-3.2	
			B		-3.2	
I _{OS}	Short Circuit Output Current	V _{CC} = Max (Note 2)	DM54	-20	-57	mA
			DM74	-18	-57	
I _{CC}	Supply Current	V _{CC} = Max (Note 3)		26	39	mA

Note 1: All typicals are at V_{CC} = 5V, T_A = 25°C.

Note 2: Not more than one output should be shorted at a time.

Note 3: I_{CC} is measured with all outputs open, both R0 inputs grounded following momentary connection to 4.5V and all other inputs grounded.

Note 4: Q_A outputs are tested at I_{OL} = Max plus the limit value of I_{IL} for the B input. This permits driving the B input while maintaining full fan-out capability.

Note 5: T_A = 25°C and V_{CC} = 5V.

'93A Switching Characteristicsat $V_{CC} = 5V$ and $T_A = 25^\circ C$ (See Section 1 for Test Waveforms and Output Load)

Symbol	Parameter	From (Input) To (Output)	$R_L = 400\Omega$ $C_L = 15\text{ pF}$		Units
			Min	Max	
f_{MAX}	Maximum Clock Frequency	A to Q_A	32		MHz
		B to Q_B	16		
t_{PLH}	Propagation Delay Time Low to High Level Output	A to Q_A		16	ns
t_{PHL}	Propagation Delay Time High to Low Level Output	A to Q_A		18	ns
t_{PLH}	Propagation Delay Time Low to High Level Output	A to Q_D		70	ns
t_{PHL}	Propagation Delay Time High to Low Level Output	A to Q_D		70	ns
t_{PLH}	Propagation Delay Time Low to High Level Output	B to Q_B		16	ns
t_{PHL}	Propagation Delay Time High to Low Level Output	B to Q_B		21	ns
t_{PLH}	Propagation Delay Time Low to High Level Output	B to Q_C		32	ns
t_{PHL}	Propagation Delay Time High to Low Level Output	B to Q_C		35	ns
t_{PLH}	Propagation Delay Time Low to High Level Output	B to Q_D		51	ns
t_{PHL}	Propagation Delay Time High to Low Level Output	B to Q_D		51	ns
t_{PHL}	Propagation Delay Time High to Low Level Output	SET-0 to Any Q		40	ns

Function Tables (Note D)

90A
BCD Count Sequence
(See Note A)

Count	Outputs			
	Q _D	Q _C	Q _B	Q _A
0	L	L	L	L
1	L	L	L	H
2	L	L	H	L
3	L	L	H	H
4	L	H	L	L
5	L	H	L	H
6	L	H	H	L
7	L	H	H	H
8	H	L	L	L
9	H	L	L	H

90A
BCD Bi-Quinary (5-2)
(See Note B)

Count	Outputs			
	Q _A	Q _D	Q _C	Q _B
0	L	L	L	L
1	L	L	L	H
2	L	L	H	L
3	L	L	H	H
4	L	H	L	L
5	H	L	L	L
6	H	L	L	H
7	H	L	H	L
8	H	L	H	H
9	H	H	L	L

93A
Count Sequence
(See Note C)

Count	Outputs			
	Q _D	Q _C	Q _B	Q _A
0	L	L	L	L
1	L	L	L	H
2	L	L	H	L
3	L	L	H	H
4	L	H	L	L
5	L	H	L	H
6	L	H	H	L
7	L	H	H	H
8	H	L	L	L
9	H	L	L	H
10	H	L	H	L
11	H	L	H	H
12	H	H	L	L
13	H	H	L	H
14	H	H	H	L
15	H	H	H	H

90A
Reset/Count Function Table

Reset Inputs				Outputs			
R0(1)	R0(2)	R9(1)	R9(2)	Q _D	Q _C	Q _B	Q _A
H	H	L	X	L	L	L	L
H	H	X	L	L	L	L	L
X	X	H	H	H	L	L	H
X	L	X	L				COUNT
L	X	L	X				COUNT
L	X	X	L				COUNT
X	L	L	X				COUNT

93A
Reset/Count Function Table

Reset Inputs		Outputs			
R0(1)	R0(2)	Q _D	Q _C	Q _B	Q _A
H	H	L	L	L	L
L	X				COUNT
X	L				COUNT

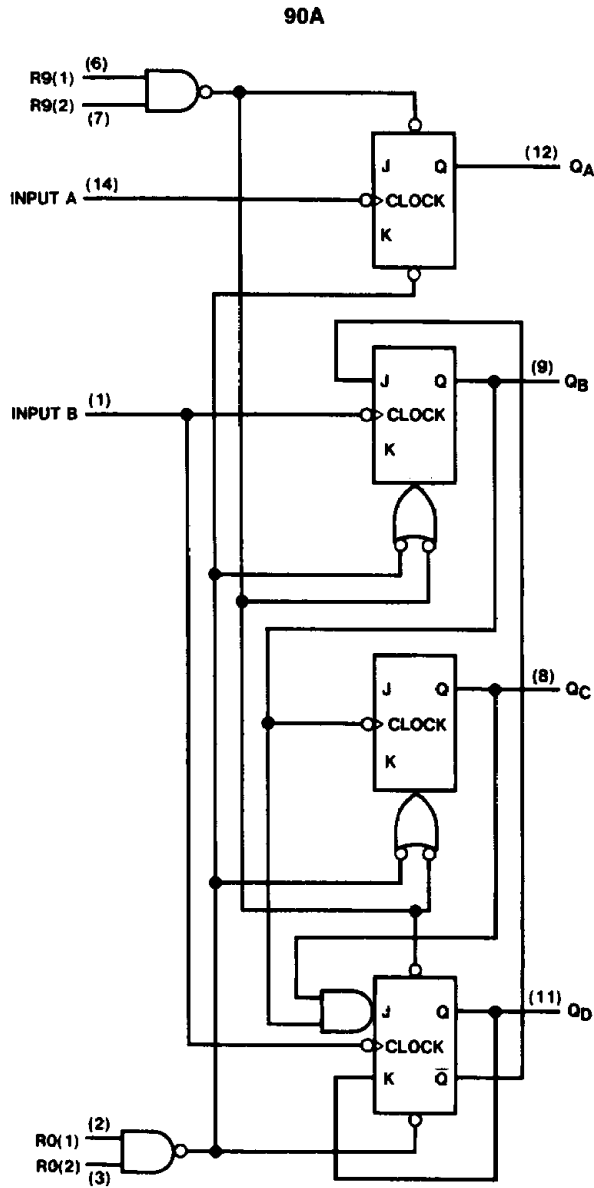
Note A: Output Q_A is connected to input B for BCD count.

Note B: Output Q_D is connected to input A for bi-quinary count.

Note C: Output Q_A is connected to input B.

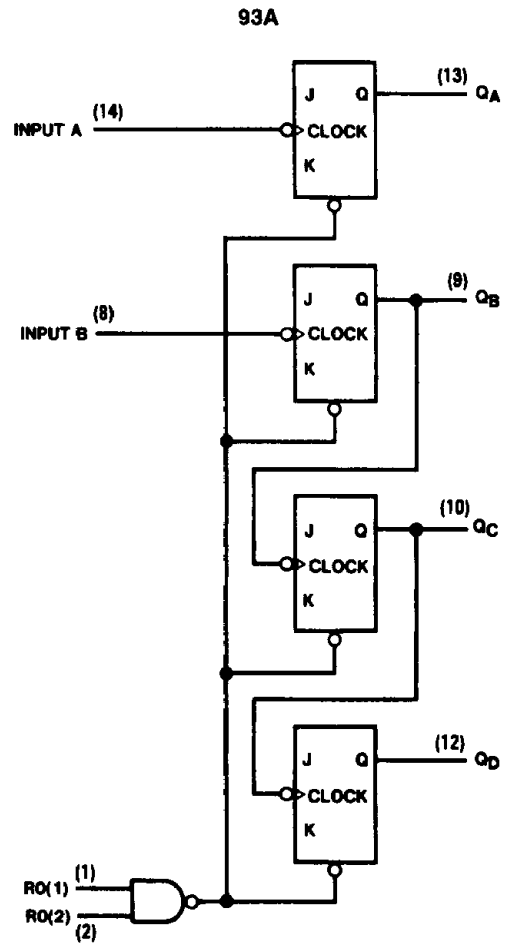
Note D: H = High Level, L = Low Level, X = Don't Care.

Logic Diagrams



TL/F/6533-3

The J and K inputs shown without connection are for reference only and are functionally at a high level.



TL/F/6533-4