

## DM74AS646 • DM74AS648

### Octal Bus Transceiver and Register

#### General Description

This device incorporates an octal bus transceiver and an octal D-type register configured to enable multiplexed transmission of data from bus to bus or internal register to bus.

This bus transceiver features totem-pole 3-STATE outputs designed specifically for driving highly-capacitive or relatively low-impedance loads. The high-impedance third state and increased high-logic-level drive provide this device with the capability of being connected directly to and driving the bus lines in a bus-organized system without need for interface or pull-up components. It is particularly attractive for implementing buffer registers, I/O ports, bidirectional bus drivers, and working registers.

The registers in the DM74AS646, DM74AS648 are edge-triggered D-type flip-flops. On the positive transition of the clock (CAB or CBA), the input bus data is stored.

The SAB and SBA control pins are provided to select whether real-time data or stored data is transferred. A LOW input level selects real-time data, and a HIGH level selects stored data. The select controls have a "make before break" configuration to eliminate a glitch which would normally occur in a typical multiplexer during the transition between stored and real-time data.

The enable  $\bar{G}$  and direction control pins provide four modes of operation; real-time data transfer from bus A to B, real-time data transfer from bus B to A, real-time bus A and/or B data transfer to internal storage, or internal store data transfer to bus A or B.

When the enable  $\bar{G}$  pin is LOW, the direction pin selects which bus receives data. When the enable  $\bar{G}$  pin is HIGH, both buses become disabled yet their input function is still enabled.

#### Features

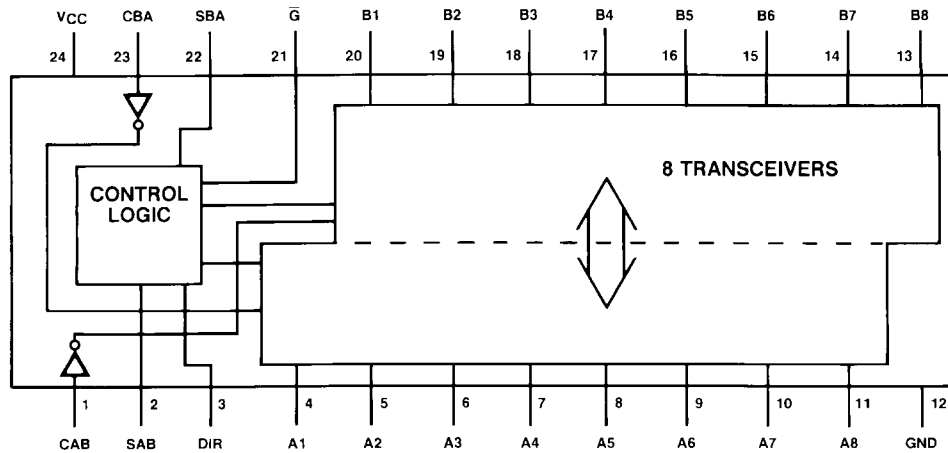
- Switching specifications at 50 pF
- Switching specifications guaranteed over full temperature and  $V_{CC}$  range
- Advanced oxide-isolated, ion-implanted Schottky TTL process
- Functionally and pin-for-pin compatible with LS TTL counterpart
- 3-STATE buffer-type outputs drive bus lines directly

#### Ordering Code:

Order Number	Package Number	Package Description
DM74AS646WM	M24B	24-Lead Small Outline Integrated Circuit (SOIC), JEDEC MS-013, 0.300 Wide
DM74AS646NT	N24C	24-Lead Plastic Dual-In-Line Package (PDIP), JEDEC MS-100, 0.300 Wide
DM74AS648WM	M24B	24-Lead Small Outline Integrated Circuit (SOIC), JEDEC MS-013, 0.300 Wide
DM74AS648NT	N24C	24-Lead Plastic Dual-In-Line Package (PDIP), JEDEC MS-100, 0.300 Wide

Devices also available in Tape and Reel. Specify by appending the suffix letter "X" to the ordering code.

### Connection Diagram



### Function Table

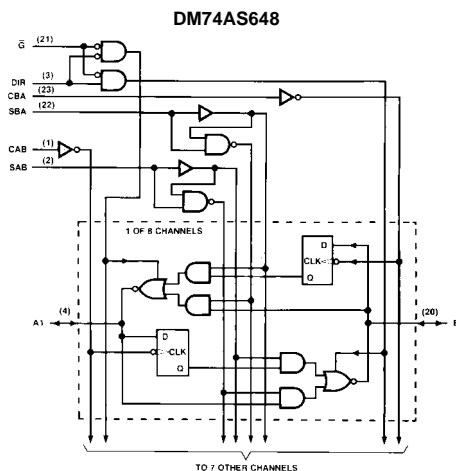
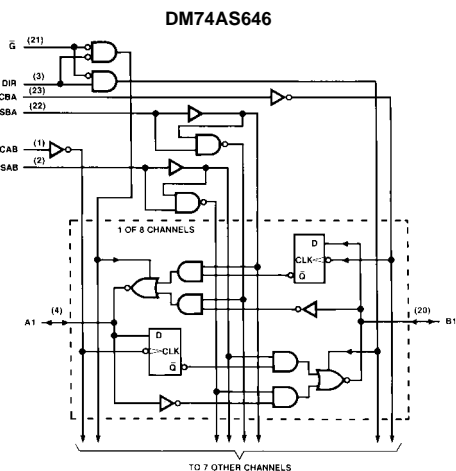
Inputs						Data I/O (Note 1)		Operation or Function	
$\bar{G}$	DIR	CAB	CBA	SAB	SBA	A1 thru A8	B1 thru B8	DM74AS646	DM74AS648
H	X X	H or L ↑	H or L ↑	X X	X X	Input	Input	Isolation, Hold Storage Store A and B Data	Isolation, Hold Storage Store A and B Data
L	L L	X X	X H or L	X X	L H	Output	Input	Real Time B Data to A Bus Stored B Data to A Bus	Real Time $\bar{B}$ Data to A Bus Stored $\bar{B}$ Data to A Bus
L	H H	X H or L	X X	L H	X X	Input	Output	Real Time A Data to B Bus Stored A Data to B Bus	Real Time $\bar{A}$ Data to B Bus Stored $\bar{A}$ Data to B Bus
X	X	↑	X	X	X	Input	Unspecified (Note 1)	Store A, B Unspecified (Note 1)	Store A, B Unspecified (Note 1)
X	X	X	↑	X	X	Unspecified (Note 1)	Input	Store B, A Unspecified (Note 1)	Store B, A Unspecified (Note 1)

H—HIGH level; L—LOW level; X—irrelevant; ↑—LOW-to-HIGH level transition

**Note 1:** The data output functions may be enabled or disabled by various signals at the  $\bar{G}$  and DIR inputs. Data input functions are always enabled, i.e., data at the bus pins will be stored on every LOW-to-HIGH transition on the clock inputs.

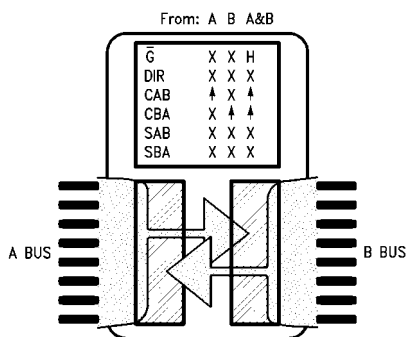
## Logic Diagrams

(positive logic)

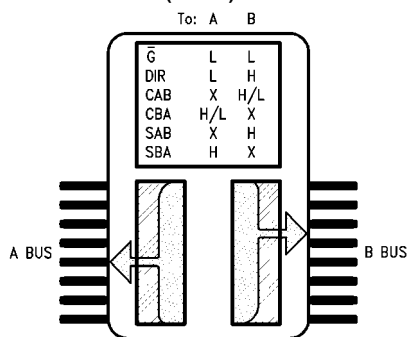


## Different Modes of Control for DM74AS646, DM74AS648

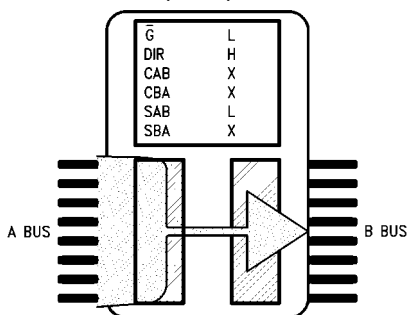
### Storage From A, B or A and B



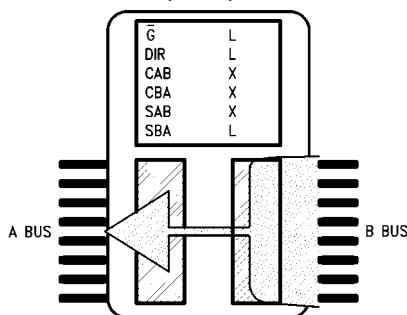
### Transfer Stored Data to A or B (Note 2)



### Real-Time Transfer Bus A to Bus B (Note 2)



### Real-Time Transfer Bus B to Bus A (Note 2)



Note 2: The complement of A and B data are stored and transferred for DM74AS648

**Absolute Maximum Ratings** (Note 3)

Supply Voltage	7V
Input Voltage	
Control Inputs	7V
I/O Ports	5.5V
Operating Free Air Temperature Range	0°C to +70°C
Storage Temperature Range	-65°C to +150°C
Typical $\theta_{JA}$	
N Package	41.1°C/W
M Package	81.5°C/W

**Note 3:** The "Absolute Maximum Ratings" are those values beyond which the safety of the device cannot be guaranteed. The device should not be operated at these limits. The parametric values defined in the Electrical Characteristics tables are not guaranteed at the absolute maximum ratings. The "Recommended Operating Conditions" table will define the conditions for actual device operation.

**Recommended Operating Conditions**

Symbol	Parameter	Min	Nom	Max	Units
$V_{CC}$	Supply Voltage	4.5	5	5.5	V
$V_{IH}$	HIGH Level Input Voltage	2			V
$V_{IL}$	LOW Level Input Voltage			0.8	V
$I_{OH}$	HIGH Level Output Current			-15	mA
$I_{OL}$	LOW Level Output Current			48	mA
$f_{CLK}$	Clock Frequency	0		90	MHz
$t_W$	Width of Clock Pulse	HIGH	5		ns
		LOW	6		ns
$t_{SU}$	Data Setup Time (Note 4)	6 $\uparrow$			ns
$t_H$	Data Hold Time (Note 4)	0 $\uparrow$			ns
$T_A$	Free Air Operating Temperature	0		70	°C

**Note 4:** The ( $\uparrow$ ) arrow indicates the positive edge of the Clock is used for reference.

**Electrical Characteristics**

over recommended operating free air temperature range. All typical values are measured at  $V_{CC} = 5V$ ,  $T_A = 25^\circ C$ .

Symbol	Parameter	Conditions	Min	Typ	Max	Units	
$V_{IK}$	Input Clamp Voltage	$V_{CC} = 4.5V$ , $I_I = -18 mA$			-1.2	V	
$V_{OH}$	HIGH Level Output Voltage	$V_{CC} = 4.5V$ , $V_{IL} = \text{Max}$	$I_{OH} = \text{Max}$	2		V	
		$V_{IH} = \text{Min}$	$I_{OH} = -3 mA$	2.4	3.2		
		$V_{CC} = 4.5V$ to $5.5V$ , $I_{OH} = -2 mA$		$V_{CC} - 2$			
$V_{OL}$	LOW Level Output Voltage	$V_{CC} = 4.5V$ , $V_{IL} = \text{Min}$ $V_{IH} = 2V$ , $I_{OL} = \text{Max}$		0.35	0.5	V	
$I_I$	Input Current @ Max Input Voltage	$V_{CC} = 5.5V$	$V_I = 7V$	Control Inputs		0.1	mA
			$V_I = 5.5V$	A or B Ports		0.1	
$I_{IH}$	HIGH Level Input Current	$V_{CC} = 5.5V$ , $V_{IH} = 2.7V$ (Note 5)	Control Inputs		20	$\mu A$	
			A or B Ports		70		
$I_{IL}$	LOW Level Input Current	$V_{CC} = 5.5V$ , $V_{IL} = 0.4V$ (Note 5)	Control Inputs		-0.5	mA	
			A or B Ports		-0.75		
$I_O$	Output Drive Current	$V_{CC} = 5.5V$ , $V_O = 2.25V$		-30	-112	mA	
$I_{CC}$	Supply Current	$V_{CC} = 5.5V$	DM74AS646	Outputs HIGH	120	195	mA
				Outputs LOW	130	211	
				Outputs Disabled	130	211	
			DM74AS648	Outputs HIGH	110	185	
				Outputs LOW	120	195	
				Outputs Disabled	120	195	

**Note 5:** For I/O ports, the parameters  $I_{IH}$  and  $I_{IL}$  include the OFF-State current,  $I_{OZH}$  and  $I_{OZL}$ .

DM74AS646 Switching Characteristics							
Symbol	Parameter	Conditions	From (Input)	To (Output)	Min	Max	Units
$f_{MAX}$	Maximum Clock Frequency	$V_{CC} = 4.5V$ to $5.5V$ , $R_1 = R_2 = 500\Omega$			90		MHz
$t_{PLH}$	Propagation Delay Time LOW-to-HIGH Level Output	$C_L = 50$ pF	CBA or CAB	A or B	2	8.5	ns
$t_{PHL}$	Propagation Delay Time HIGH-to-LOW Level Output				2	9	ns
$t_{PLH}$	Propagation Delay Time LOW-to-HIGH Level Output		A or B	B or A	2	9	ns
$t_{PHL}$	Propagation Delay Time HIGH-to-LOW Level Output				1	7	ns
$t_{PLH}$	Propagation Delay Time LOW-to-HIGH Level Output		SBA or SAB (Note 6)	A or B	2	11	ns
$t_{PHL}$	Propagation Delay Time HIGH-to-LOW Level Output				2	9	ns
$t_{PZH}$	Output Enable Time to HIGH Level Output		Enable $\bar{G}$	A or B	2	9	ns
$t_{PZL}$	Output Enable Time to LOW Level Output				3	14	ns
$t_{PHZ}$	Output Disable Time from HIGH Level Output				2	9	ns
$t_{PLZ}$	Output Disable Time from LOW Level Output				2	9	ns
$t_{PZH}$	Output Enable Time to HIGH Level Output		DIR	A or B	3	16	ns
$t_{PZL}$	Output Enable Time to LOW Level Output				3	18	ns
$t_{PHZ}$	Output Disable Time from HIGH Level Output				2	10	ns
$t_{PLZ}$	Output Disable Time from LOW Level Output				2	10	ns

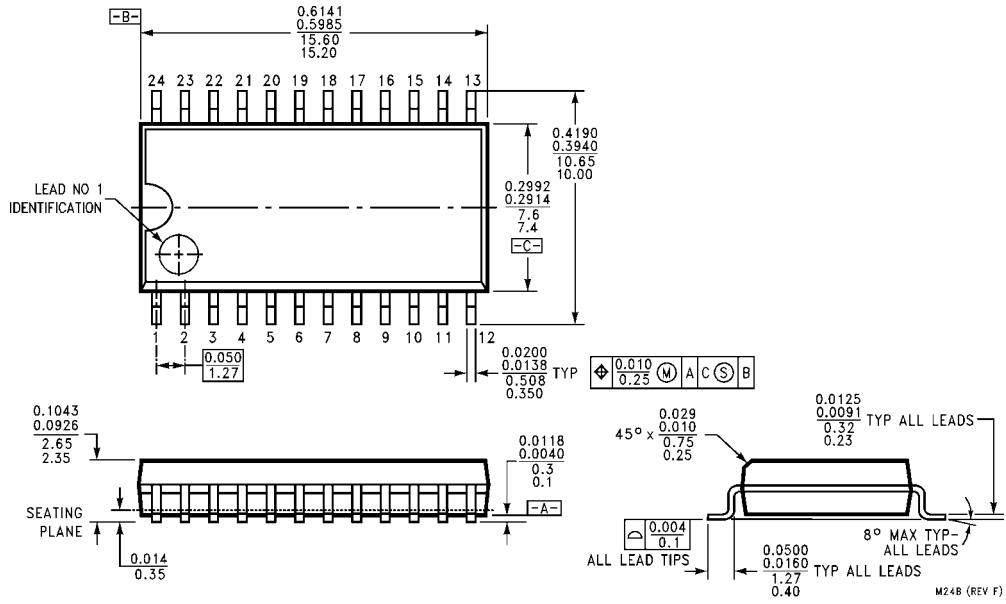
**Note 6:** These parameters are measured with the internal output state of the storage register opposite to that of the bus input.

## DM74AS648 Switching Characteristics

Symbol	Parameter	Conditions	From (Input)	To (Output)	Min	Max	Units
$f_{MAX}$	Maximum Clock Frequency	$V_{CC} = 4.5V$ to $5.5V$ ,			90		MHz
$t_{PLH}$	Propagation Delay Time LOW-to-HIGH Level Output	$R_1 = R_2 = 500\Omega$ $C_L = 50$ pF	CAB or CBA	A or B	2	8.5	ns
$t_{PHL}$	Propagation Delay Time HIGH-to-LOW Level Output	2			9	ns	
$t_{PLH}$	Propagation Delay Time LOW-to-HIGH Level Output		A or B	B or A	2	8	ns
$t_{PHL}$	Propagation Delay Time HIGH-to-LOW Level Output	1			7	ns	
$t_{PLH}$	Propagation Delay Time LOW-to-HIGH Level Output		SBA or SAB (Note 7)	A or B	2	11	ns
$t_{PHL}$	Propagation Delay Time HIGH-to-LOW Level Output	2			9	ns	
$t_{pZH}$	Output Enable Time to HIGH Level Output		Enable $\overline{G}$	A or B	2	9	ns
$t_{pZL}$	Output Enable Time to LOW Level Output	3			15	ns	
$t_{pHZ}$	Output Disable Time from HIGH Level Output	2			9	ns	
$t_{pLZ}$	Output Disable Time from LOW Level Output	2			9	ns	
$t_{pZH}$	Output Enable Time to HIGH Level Output		DIR	A or B	3	16	ns
$t_{pZL}$	Output Enable Time to LOW Level Output	3			18	ns	
$t_{pHZ}$	Output Disable Time from HIGH Level Output	2			10	ns	
$t_{pLZ}$	Output Disable Time from LOW Level Output	2			10	ns	

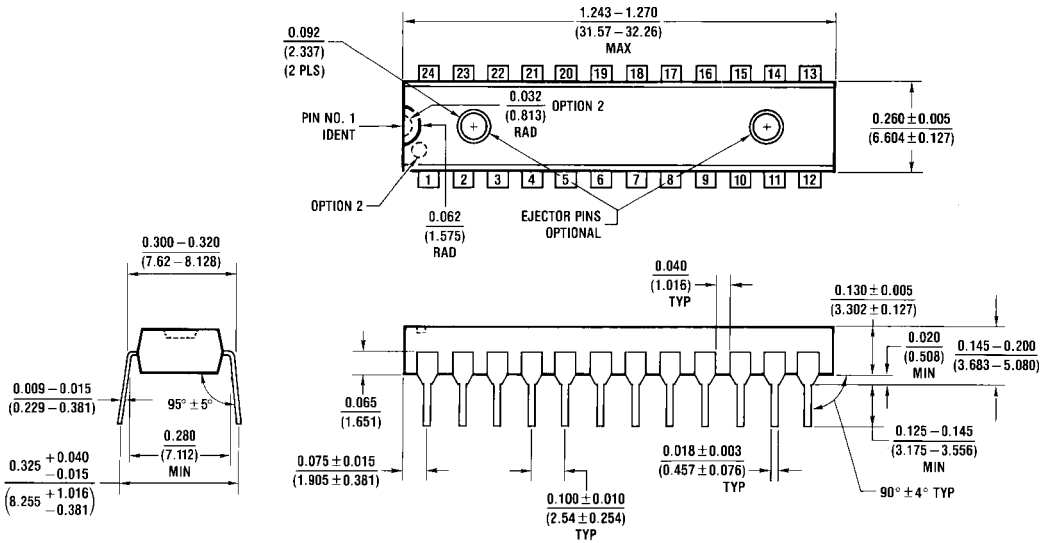
**Note 7:** These parameters are measured with the internal output state of the storage register opposite to that of the bus input.

**Physical Dimensions** inches (millimeters) unless otherwise noted



**24-Lead Small Outline Integrated Circuit (SOIC), JEDEC MS-013, 0.300 Wide  
Package Number M24B**

**Physical Dimensions** inches (millimeters) unless otherwise noted (Continued)



**24-Lead Plastic Dual-In-Line Package (PDIP), JEDEC MS-100, 0.300 Wide Package Number N24C**

N24C (REV F)

Fairchild does not assume any responsibility for use of any circuitry described, no circuit patent licenses are implied and Fairchild reserves the right at any time without notice to change said circuitry and specifications.

**LIFE SUPPORT POLICY**

FAIRCHILD'S PRODUCTS ARE NOT AUTHORIZED FOR USE AS CRITICAL COMPONENTS IN LIFE SUPPORT DEVICES OR SYSTEMS WITHOUT THE EXPRESS WRITTEN APPROVAL OF THE PRESIDENT OF FAIRCHILD SEMICONDUCTOR CORPORATION. As used herein:

1. Life support devices or systems are devices or systems which, (a) are intended for surgical implant into the body, or (b) support or sustain life, and (c) whose failure to perform when properly used in accordance with instructions for use provided in the labeling, can be reasonably expected to result in a significant injury to the user.
2. A critical component in any component of a life support device or system whose failure to perform can be reasonably expected to cause the failure of the life support device or system, or to affect its safety or effectiveness.

[www.fairchildsemi.com](http://www.fairchildsemi.com)