

DM74LS221 Dual Non-Retriggerable One-Shot with Clear and Complementary Outputs

General Description

The DM74LS221 is a dual monostable multivibrator with Schmitt-trigger input. Each device has three inputs permitting the choice of either leading-edge or trailing-edge triggering. Pin (A) is an active-low trigger transition input and pin (B) is an active-high transition Schmitt-trigger input that allows jitter free triggering for inputs with transition rates as slow as 1 volt/second. This provides the input with excellent noise immunity. Additionally an internal latching circuit at the input stage also provides a high immunity to V_{CC} noise. The clear (CLR) input can terminate the output pulse at a predetermined time independent of the timing components. This (CLR) input also serves as a trigger input when it is pulsed with a low level pulse transition (\square). To obtain the best and trouble free operation from this device please read operating rules as well as the NSC one-shot application notes carefully and observe recommendations.

Features

- A dual, highly stable one-shot
- Compensated for V_{CC} and temperature variations

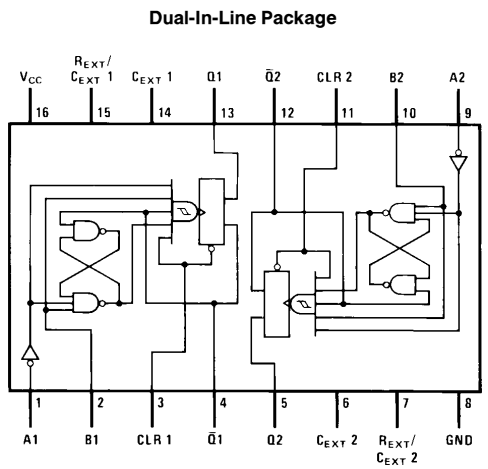
- Pin-out identical to 'LS123 (Note 1)
- Output pulse width range from 30 ns to 70 seconds
- Hysteresis provided at (B) input for added noise immunity
- Direct reset terminates output pulse
- Triggerable from CLEAR input
- DTL, TTL compatible
- Input clamp diodes

Note 1: The pin-out is identical to 'LS123 but, functionally it is not; refer to Operating Rules #10 in this datasheet.

Functional Description

The basic output pulse width is determined by selection of an external resistor (R_X) and capacitor (C_X). Once triggered, the basic pulse width is independent of further input transitions and is a function of the timing components, or it may be reduced or terminated by use of the active low CLEAR input. Stable output pulse width ranging from 30 ns to 70 seconds is readily obtainable.

Connection Diagram



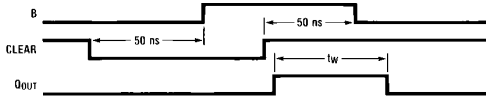
Order Number DM74LS221M or DM74LS221N
See NS Package Number M16A or N16A

Function Table

| Inputs | | | Outputs | |
|--------|---|---|-----------|-----------|
| CLEAR | A | B | Q | \bar{Q} |
| L | X | X | L | H |
| X | H | X | L | H |
| X | X | L | L | H |
| H | L | ↑ | \square | \square |
| H | ↓ | H | \square | \square |
| * ↑ | L | H | \square | \square |

H = High Logic Level
L = Low Logic Level
X = Can Be Either Low or High
↑ = Positive Going Transition
↓ = Negative Going Transition
 \square = A Positive Pulse
 \square = A Negative Pulse

*This mode of triggering requires first the B input be set from a low to high level while the CLEAR input is maintained at logic low level. Then with the B input at logic high level, the CLEAR input whose positive transition from low to high will trigger an output pulse.



TL/F/6409-2

DM74LS221 Dual Non-Retriggerable One-Shot with Clear and Complementary Outputs

Absolute Maximum Ratings (Note)

If Military/Aerospace specified devices are required, please contact the National Semiconductor Sales Office/Distributors for availability and specifications.

| | |
|--------------------------------------|-----------------|
| Supply Voltage | 7V |
| Input Voltage | 7V |
| Operating Free Air Temperature Range | 0°C to +70°C |
| DM74LS | |
| Storage Temperature Range | -65°C to +150°C |

Note: The "Absolute Maximum Ratings" are those values beyond which the safety of the device cannot be guaranteed. The device should not be operated at these limits. The parametric values defined in the "Electrical Characteristics" table are not guaranteed at the absolute maximum ratings. The "Recommended Operating Conditions" table will define the conditions for actual device operation.

Recommended Operating Conditions

| Symbol | Parameter | | DM74LS221 | | | Units |
|------------------|---|---|-----------|-----|------|-------------------|
| | | | Min | Nom | Max | |
| V _{CC} | Supply Voltage | | 4.75 | 5 | 5.25 | V |
| V _{T+} | Positive-Going Input Threshold Voltage at the A Input (V _{CC} = Min) | | | 1 | 2 | V |
| V _{T-} | Negative-Going Input Threshold Voltage at the A Input (V _{CC} = Min) | | 0.8 | 1 | | V |
| V _{T+} | Positive-Going Input Threshold Voltage at the B Input (V _{CC} = Min) | | | 1 | 2 | V |
| V _{T-} | Negative-Going Input Threshold Voltage at the B Input (V _{CC} = Min) | | 0.8 | 0.9 | | V |
| I _{OH} | High Level Output Current | | | | -0.4 | mA |
| I _{OL} | Low Level Output Current | | | | 8 | mA |
| t _w | Pulse Width (Note 1) | Data | 40 | | | ns |
| | | Clear | 40 | | | |
| t _{REL} | Clear Release Time (Note 1) | | 15 | | | ns |
| $\frac{dV}{dt}$ | Rate of Rise or Fall of Schmitt Input (B) (Note 1) | | | | 1 | $\frac{V}{s}$ |
| $\frac{dV}{dt}$ | Rate of Rise or Fall of Logic Input (A) (Note 1) | | | | 1 | $\frac{V}{\mu s}$ |
| R _{EXT} | External Timing Resistor (Note 1) | | 1.4 | | 100 | kΩ |
| C _{EXT} | External Timing Capacitance (Note 1) | | 0 | | 1000 | μF |
| DC | Duty Cycle (Note 1) | R _T = 2 kΩ | | | 50 | % |
| | | R _T = R _{EXT} (Max) | | | 60 | |
| T _A | Free Air Operating Temperature | | 0 | | 70 | °C |

Note 1: T_A = 25°C and V_{CC} = 5V.

Electrical Characteristics over recommended operating free air temperature range (unless otherwise noted)

| Symbol | Parameter | Conditions | Min | Typ (Note 1) | Max | Units |
|-----------------|-----------------------------------|--|-----|--------------|------|-------|
| V _I | Input Clamp Voltage | V _{CC} = Min, I _I = -18 mA | | | -1.5 | V |
| V _{OH} | High Level Output Voltage | V _{CC} = Min, I _{OH} = Max V _{IL} = Max, V _{IH} = Min | 2.7 | 3.4 | | V |
| V _{OL} | Low Level Output Voltage | V _{CC} = Min, I _{OL} = Max V _{IL} = Max, V _{IH} = Min | | 0.35 | 0.5 | V |
| | | V _{CC} = Min, I _{OL} = 4 mA | | | 0.4 | |
| I _I | Input Current @ Max Input Voltage | V _{CC} = Max, V _I = 7V | | | 0.1 | mA |

Electrical Characteristics

over recommended operating free air temperature range (unless otherwise noted) (Continued)

| Symbol | Parameter | Conditions | Min | Typ (Note 1) | Max | Units |
|----------|------------------------------|---------------------------------------|-----------|--------------|------|---------|
| I_{IH} | High Level Input Current | $V_{CC} = \text{Max}, V_I = 2.7V$ | | | 20 | μA |
| I_{IL} | Low Level Input Current | $V_{CC} = \text{Max}$ $V_I = 0.4V$ | A1, A2 | | -0.4 | mA |
| | | | B | | -0.8 | |
| | | | Clear | | -0.8 | |
| I_{OS} | Short Circuit Output Current | $V_{CC} = \text{Max}$ (Note 2) | -20 | | -100 | mA |
| I_{CC} | Supply Current | $V_{CC} = \text{Max}$ | Quiescent | 4.7 | 11 | mA |
| | | | Triggered | 19 | 27 | |

Note 1: All typicals are at $V_{CC} = 5V, T_A = 25^\circ C$.

Note 2: Not more than one output should be shorted at a time, and the duration should not exceed one second.

Switching Characteristics

at $V_{CC} = 5V$ and $T_A = 25^\circ C$

| Symbol | Parameter | From (Input) To (Output) | Conditions | Min | Max | Units | |
|--------------|---|--------------------------|--|--|-----|-------|----|
| t_{PLH} | Propagation Delay Time Low to High Level Output | A1, A2 to Q | $C_{EXT} = 80 \text{ pF}$ $R_{EXT} = 2 \text{ k}\Omega$ $C_L = 15 \text{ pF}$ $R_L = 2 \text{ k}\Omega$ | | 70 | ns | |
| t_{PLH} | Propagation Delay Time Low to High Level Output | B to Q | | | | 55 | ns |
| t_{PHL} | Propagation Delay Time High to Low Level Output | A1, A2 to Q | | | | 80 | ns |
| t_{PHL} | Propagation Delay Time High to Low Level Output | B to \bar{Q} | | | | 65 | ns |
| t_{PLH} | Propagation Delay Time Low to High Level Output | Clear to \bar{Q} | | | | 65 | ns |
| t_{PHL} | Propagation Delay Time High to Low Level Output | Clear to Q | | | | 55 | ns |
| $t_{W(out)}$ | Output Pulse Width Using Zero Timing Capacitance | A1, A2 to Q, \bar{Q} | | $C_{EXT} = 0$ $R_{EXT} = 2 \text{ k}\Omega$ $R_L = 2 \text{ k}\Omega$ $C_L = 15 \text{ pF}$ | 20 | 70 | ns |
| $t_{W(out)}$ | Output Pulse Width Using External Timing Resistor | A1, A2 to Q, \bar{Q} | $C_{EXT} = 100 \text{ pF}$ $R_{EXT} = 10 \text{ k}\Omega$ $R_L = 2 \text{ k}\Omega$ $C_L = 15 \text{ pF}$ | 600 | 750 | ns | |
| | | | $C_{EXT} = 1 \mu F$ $R_{EXT} = 10 \text{ k}\Omega$ $R_L = 2 \text{ k}\Omega$ $C_L = 15 \text{ pF}$ | 6 | 7.5 | ms | |
| | | | $C_{EXT} = 80 \text{ pF}$ $R_{EXT} = 2 \text{ k}\Omega$ $R_L = 2 \text{ k}\Omega$ $C_L = 15 \text{ pF}$ | 70 | 150 | ns | |

Operating Rules

1. An external resistor (R_X) and an external capacitor (C_X) are required for proper operation. The value of C_X may vary from 0 to approximately 1000 μF . For small time constants high-grade mica, glass, polypropylene, polycarbonate, or polystyrene material capacitor may be used. For large time constants use tantalum or special aluminum capacitors. If timing capacitor has leakages approaching 100 nA or if stray capacitance from either terminal to ground is greater than 50 pF the timing equations may not represent the pulse width the device generates.
2. When an electrolytic capacitor is used for C_X a switching diode is often required for standard TTL one-shots to prevent high inverse leakage current. This switching diode is not needed for the 'LS221 one-shot and should not be used.

Furthermore, if a polarized timing capacitor is used on the 'LS221, the positive side of the capacitor should be connected to the "C_{EXT}" pin (Figure 1).

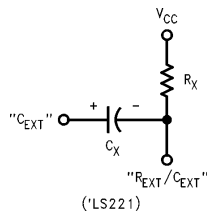


FIGURE 1

TL/F/6409-8

3. For $C_X \gg 1000$ pF, the output pulse width (T_W) is defined as follows:

$$T_W = KR_X C_X$$

where [R_X is in $k\Omega$]

[C_X is in pF]

[T_W is in ns]

$$K \approx \ln 2 = 0.70$$

4. The multiplicative factor K is plotted as a function of C_X below for design considerations:

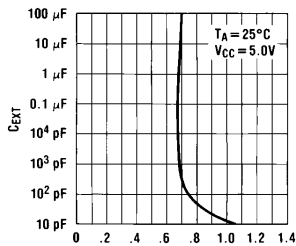
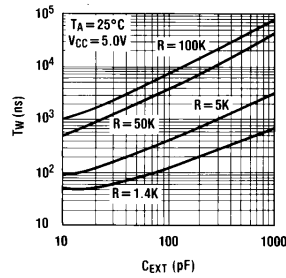


FIGURE 2

TL/F/6409-3

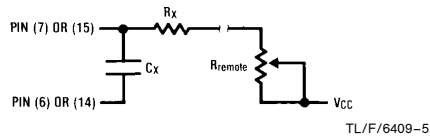
5. For $C_X < 1000$ pF see Figure 3 for T_W vs C_X family curves with R_X as a parameter:



TL/F/6409-4

FIGURE 3

6. To obtain variable pulse widths by remote trimming, the following circuit is recommended:

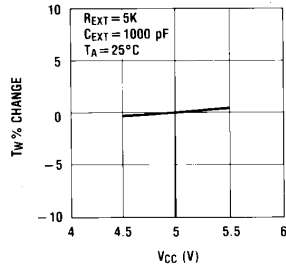


TL/F/6409-5

Note: " R_{remote} " should be as close to the one-shot as possible.

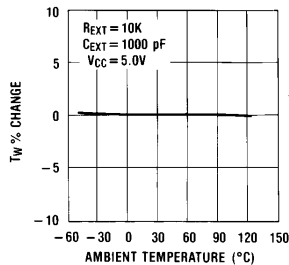
FIGURE 4

7. Output pulse width versus V_{CC} and temperatures: Figure 5 depicts the relationship between pulse width variation versus V_{CC} . Figure 6 depicts pulse width variation versus temperatures.



TL/F/6409-6

FIGURE 5



TL/F/6409-7

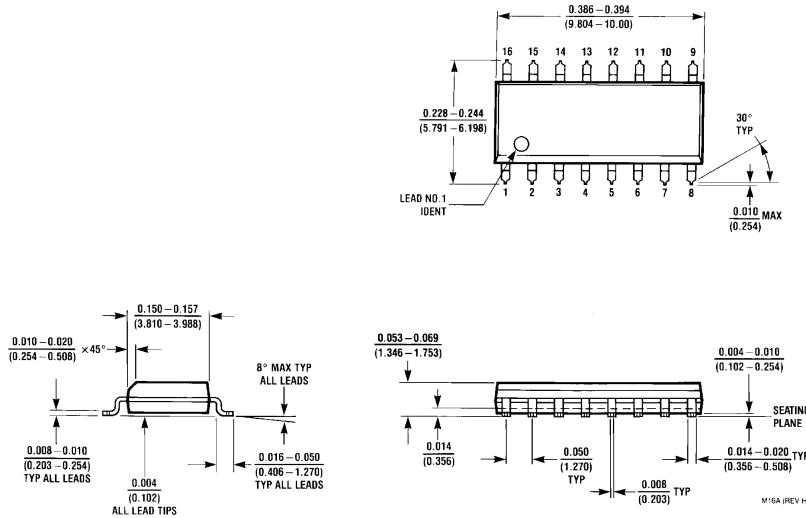
FIGURE 6

Operating Rules (Continued)

8. Duty cycle is defined as $T_W/T \times 100$ in percentage, if it goes above 50% the output pulse width will become shorter. If the duty cycle varies between low and high values, this causes output pulse width to vary, or jitter (a function of the R_{EXT} only). To reduce jitter, R_{EXT} should be as large as possible, for example, with $R_{EXT} = 100k$ jitter is not appreciable until the duty cycle approaches 90%.
9. Under any operating condition C_X and R_X must be kept as close to the one-shot device pins as possible to minimize stray capacitance, to reduce noise pick-up, and to reduce I-R and $L di/dt$ voltage developed along their connecting paths. If the lead length from C_X to pins (6) and (7) or pins (14) and (15) is greater than 3 cm, for example, the output pulse width might be quite different from values predicted from the appropriate equations. A non-inductive and low capacitive path is necessary to ensure complete discharge of C_X in each cycle of its operation so that the output pulse width will be accurate.
10. Although the 'LS221's pin-out is identical to the 'LS123 it should be remembered that they are not functionally identical. The 'LS123 is a retriggerable device such that the output is dependent upon the input transitions when its output "Q" is at the "High" state. Furthermore, it is recommended for the 'LS123 to externally ground the C_{EXT} pin for improved system performance. However, this pin on the 'LS221 is not an internal connection to the device ground. Hence, if substitution of an 'LS221 onto an 'LS123 design layout where the C_{EXT} pin is wired to the ground, the device will not function.
11. V_{CC} and ground wiring should conform to good high-frequency standards and practices so that switching transients on the V_{CC} and ground return leads do not cause interaction between one-shots. A 0.01 μF to 0.10 μF bypass capacitor (disk ceramic or monolithic type) from V_{CC} to ground is necessary on each device. Furthermore, the bypass capacitor should be located as close to the V_{CC} -pin as space permits.

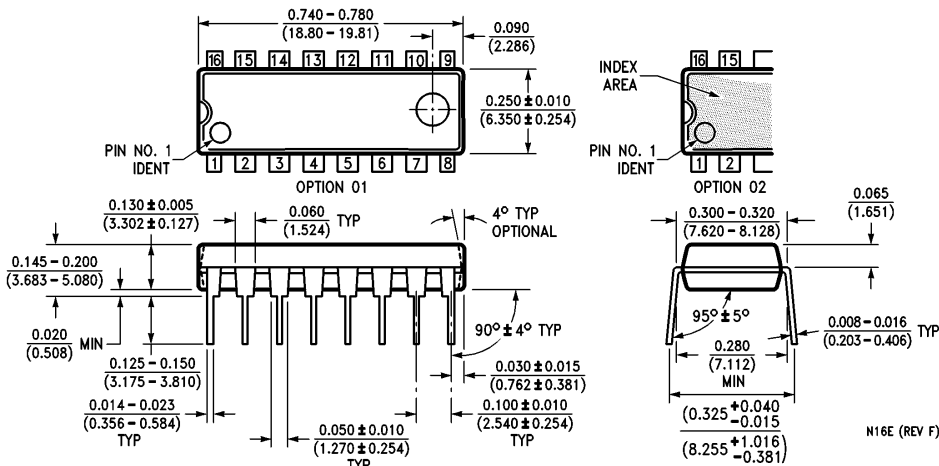
For further detailed device characteristics and output performance, please refer to the NSC one-shot application note AN-372.

Physical Dimensions inches (millimeters)



16-Lead Small Outline Molded Package (M)
Order Number DM74LS221M
NS Package Number M16A

Physical Dimensions inches (millimeters) (Continued)



16-Lead Molded Dual-In-Line Package (N)
Order Number DM74LS221N
NS Package Number N16E

LIFE SUPPORT POLICY

NATIONAL'S PRODUCTS ARE NOT AUTHORIZED FOR USE AS CRITICAL COMPONENTS IN LIFE SUPPORT DEVICES OR SYSTEMS WITHOUT THE EXPRESS WRITTEN APPROVAL OF THE PRESIDENT OF NATIONAL SEMICONDUCTOR CORPORATION. As used herein:

1. Life support devices or systems are devices or systems which, (a) are intended for surgical implant into the body, or (b) support or sustain life, and whose failure to perform, when properly used in accordance with instructions for use provided in the labeling, can be reasonably expected to result in a significant injury to the user.
2. A critical component is any component of a life support device or system whose failure to perform can be reasonably expected to cause the failure of the life support device or system, or to affect its safety or effectiveness.



National Semiconductor Corporation
 1111 West Bardin Road
 Arlington, TX 76017
 Tel: 1(800) 272-9959
 Fax: 1(800) 737-7018

National Semiconductor Europe
 Fax: (+49) 0-180-530 85 86
 Email: cnjwge@tevm2.nsc.com
 Deutsch Tel: (+49) 0-180-530 85 85
 English Tel: (+49) 0-180-532 78 32
 Français Tel: (+49) 0-180-532 93 58
 Italiano Tel: (+49) 0-180-534 16 80

National Semiconductor Hong Kong Ltd.
 19th Floor, Straight Block,
 Ocean Centre, 5 Canton Rd.
 Tsimshatsui, Kowloon
 Hong Kong
 Tel: (852) 2737-1600
 Fax: (852) 2736-9960

National Semiconductor Japan Ltd.
 Tel: 81-043-299-2309
 Fax: 81-043-299-2408

National does not assume any responsibility for use of any circuitry described, no circuit patent licenses are implied and National reserves the right at any time without notice to change said circuitry and specifications.