

DM74S151

1-of-8 Data Selector/Multiplexer with Complementary Outputs

General Description

These data selectors/multiplexers contain full on-chip decoding to select the desired data source. The DM74S151 selects one-of-eight data sources. The DM74S151 has a strobe input which must be at a low logic level to enable these devices. A high level at the strobe forces the W output HIGH and the Y output LOW.

The DM74S151 features complementary Y and W outputs.

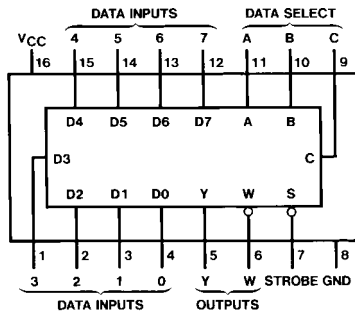
Features

- Select one-of-eight data lines
- Performs parallel-to-serial conversion
- Permits multiplexing from N lines to one line
- Also for use as Boolean function generator
- Typical average propagation delay time, data input to W output 4.5 ns
- Typical power dissipation 225 mW

Ordering Code:

Order Number	Package Number	Package Description
DM74S151N	N16E	16-Lead Plastic Dual-In-Line Package (PDIP), JEDEC MS-001, 0.300 Wide

Connection Diagram

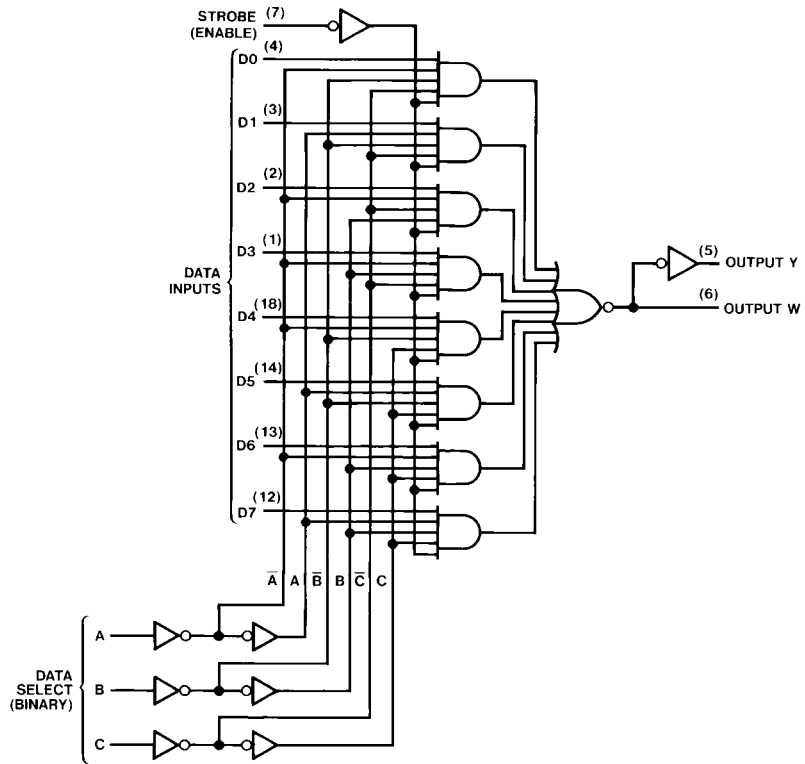


Function Table

Inputs				Outputs	
Select			Strobe S	Y	W
C	B	A			
X	X	X	H	L	H
L	L	L	L	D0	$\overline{D0}$
L	L	H	L	D1	$\overline{D1}$
L	H	L	L	D2	$\overline{D2}$
L	H	H	L	D3	$\overline{D3}$
H	L	L	L	D4	$\overline{D4}$
H	L	H	L	D5	$\overline{D5}$
H	H	L	L	D6	$\overline{D6}$
H	H	H	L	D7	$\overline{D7}$

H = HIGH Level
L = LOW Level
X = Don't Care
D0, D1...D7 = The level of the respective D input

Logic Diagram



Absolute Maximum Ratings(Note 1)

Supply Voltage	7V
Input Voltage	5.5V
Operating Free Air Temperature Range	0°C to +70°C
Storage Temperature Range	-65°C to +150°C

Note 1: The "Absolute Maximum Ratings" are those values beyond which the safety of the device cannot be guaranteed. The device should not be operated at these limits. The parametric values defined in the Electrical Characteristics tables are not guaranteed at the absolute maximum ratings. The "Recommended Operating Conditions" table will define the conditions for actual device operation.

Recommended Operating Conditions

Symbol	Parameter	Min	Nom	Max	Units
V _{CC}	Supply Voltage	4.75	5	5.25	V
V _{IH}	HIGH Level Input Voltage	2			V
V _{IL}	LOW Level Input Voltage			0.8	V
I _{OH}	HIGH Level Output Current			-1	mA
I _{OL}	LOW Level Output Current			20	mA
T _A	Free Air Operating Temperature	0		70	°C

Electrical Characteristics

over recommended operating free air temperature (unless otherwise noted)

Symbol	Parameter	Conditions	Min	Typ (Note 2)	Max	Units
V _I	Input Clamp Voltage	V _{CC} = Min, I _I = -18 mA			-1.2	V
V _{OH}	HIGH Level Output Voltage	V _{CC} = Min, I _{OH} = Max, V _{IL} = Max, V _{IH} = Min	2.7	3.4		V
V _{OL}	LOW Level Output Voltage	V _{CC} = Min, I _{OL} = Max, V _{IH} = Min, V _{IL} = Max			0.5	V
I _I	Input Current @ Max Input Voltage	V _{CC} = Max, V _I = 5.5V			1	mA
I _{IH}	HIGH Level Input Current	V _{CC} = Max, V _I = 2.7V			50	μA
I _{IL}	LOW Level Input Current	V _{CC} = Max, V _I = 0.5V			-2	mA
I _{OS}	Short Circuit Output Current	V _{CC} = Max (Note 3)	-40		-100	mA
I _{CC}	Supply Current	V _{CC} = Max (Note 4)		45	70	mA

Note 2: All typicals are at V_{CC} = 5V, T_A = 25°C.

Note 3: Not more than one output should be shorted at a time, and the duration should not exceed one second.

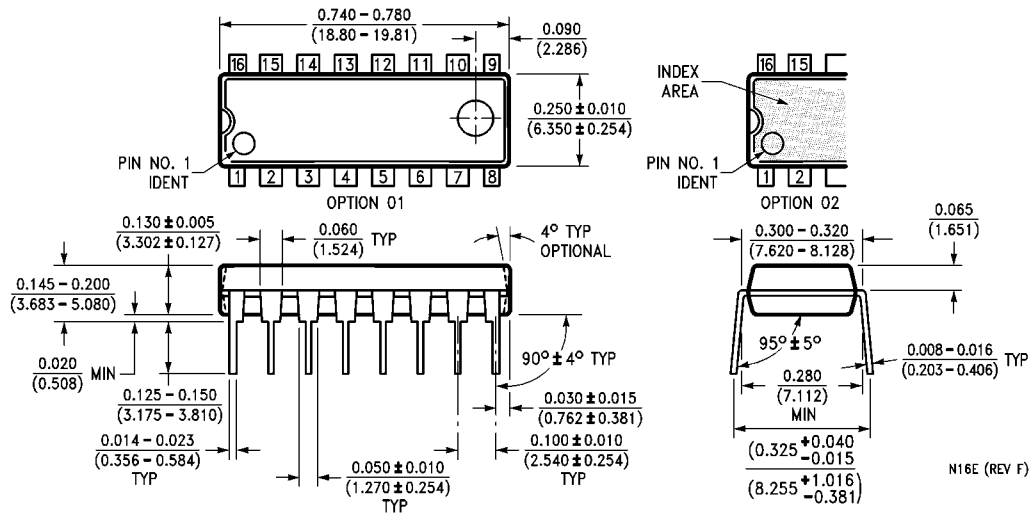
Note 4: I_{CC} is measured with the strobe and data select inputs at 4.5V, all other inputs and outputs OPEN.

Switching Characteristics

at $V_{CC} = 5V$ and $T_A = 25^\circ C$

Symbol	Parameter	From (Input) To (Output)	$R_L = 280\Omega$				Units
			$C_L = 15\text{ pF}$		$C_L = 50\text{ pF}$		
			Min	Max	Min	Max	
t_{PLH}	Propagation Delay Time LOW-to-HIGH Level Output	Select to Y (4 Levels)		18		21	ns
t_{PHL}	Propagation Delay Time HIGH-to-LOW Level Output	Select to Y (4 Levels)		18		21	ns
t_{PLH}	Propagation Delay Time LOW-to-HIGH Level Output	Select to W (3 Levels)		15		18	ns
t_{PHL}	Propagation Delay Time HIGH-to-LOW Level Output	Select to W (3 Levels)		13.5		17	ns
t_{PLH}	Propagation Delay Time LOW-to-HIGH Level Output	Strobe to Y		16.5		19	ns
t_{PHL}	Propagation Delay Time HIGH-to-LOW Level Output	Strobe to Y		18		21	ns
t_{PLH}	Propagation Delay Time LOW-to-HIGH Level Output	Strobe to W		13		16	ns
t_{PHL}	Propagation Delay Time HIGH-to-LOW Level Output	Strobe to W		12		16	ns
t_{PLH}	Propagation Delay Time LOW-to-HIGH Level Output	D0 thru D7 to Y		12		15	ns
t_{PHL}	Propagation Delay Time HIGH-to-LOW Level Output	D0 thru D7 to Y		12		15	ns
t_{PLH}	Propagation Delay Time LOW-to-HIGH Level Output	D0 thru D7 to W		7		9	ns
t_{PHL}	Propagation Delay Time HIGH-to-LOW Level Output	D0 thru D7 to W		7		10	ns

Physical Dimensions inches (millimeters) unless otherwise noted



**16-Lead Plastic Dual-In-Line Package (PDIP), JEDEC MS-001, 0.300 Wide
Package Number N16E**

Fairchild does not assume any responsibility for use of any circuitry described, no circuit patent licenses are implied and Fairchild reserves the right at any time without notice to change said circuitry and specifications.

LIFE SUPPORT POLICY

FAIRCHILD'S PRODUCTS ARE NOT AUTHORIZED FOR USE AS CRITICAL COMPONENTS IN LIFE SUPPORT DEVICES OR SYSTEMS WITHOUT THE EXPRESS WRITTEN APPROVAL OF THE PRESIDENT OF FAIRCHILD SEMICONDUCTOR CORPORATION. As used herein:

1. Life support devices or systems are devices or systems which, (a) are intended for surgical implant into the body, or (b) support or sustain life, and (c) whose failure to perform when properly used in accordance with instructions for use provided in the labeling, can be reasonably expected to result in a significant injury to the user.
2. A critical component in any component of a life support device or system whose failure to perform can be reasonably expected to cause the failure of the life support device or system, or to affect its safety or effectiveness.

www.fairchildsemi.com