

DM7556/DM8556 TRI-STATE® Programmable Binary Counters

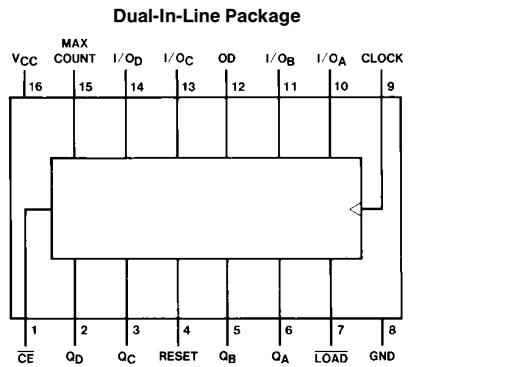
General Description

These circuits are synchronous, edge-sensitive, fully-programmable 4-bit counters. The counters feature both conventional totem-pole and TRI-STATE outputs; such that when the outputs are in the high impedance mode, they can be used to enter data from the bus lines. In addition, the clear input operates completely independent of all other inputs. During the programming operation, data is loaded into the flip-flops on the positive-going edge of the clock pulse. To facilitate cascading of these counters, the MAX COUNT output can be tied directly into the count enable input of the next counter.

Features

- Typical clock frequency 35 MHz
- TRI-STATE outputs
- Fully independent clear
- Synchronous loading
- Cascading circuitry provided internally

Connection Diagram



Function Table

Control Inputs				I/O Ports				Active Outputs				
LOAD	CE	CLK	OD	Reset	I/O _A	I/O _B	I/O _C	I/O _D	Q _A	Q _B	Q _C	Q _D
H	X	X	L	H	L	L	L	L	L	L	L	L
H	X	X	H	H	Z	Z	Z	Z	L	L	L	L
H	X	L	L	L	Q _{A0}	Q _{B0}	Q _{C0}	Q _{D0}	Q _{A0}	Q _{B0}	Q _{C0}	Q _{D0}
H	X	L	H	L	Z	Z	Z	Z	Q _{A0}	Q _{B0}	Q _{C0}	Q _{D0}
L	H	↑	L	L	a	b	c	d	A	B	C	D
H	L	↑	L	L	COUNT				COUNT			
H	L	↑	H	L	Z	Z	Z	Z	COUNT			

The I/O pins are used as inputs when they are TRI-STATE, and the LOAD input is Low. They are outputs and active when LOAD input is High and OD is Low.

H = High Level (Steady State)

L = Low Level (Steady State)

X = Don't Care including transitions

a, b, c, d = The level of the steady state input at inputs A, B, C, D respectively

Q_{A0}, Q_{B0}, Q_{C0}, Q_{D0} = The level of Q_A, Q_B, Q_C, Q_D respectively, before the indicated steady state input conditions were established.

TRI-STATE® is a registered trademark of the National Semiconductor Corporation.

Absolute Maximum Ratings (Note)

If Military/Aerospace specified devices are required, please contact the National Semiconductor Sales Office/Distributors for availability and specifications.

Supply Voltage	7V
Input Voltage	5.5V
Operating Free Air Temperature Range	
DM75	−55°C to +125°C
DM85	0°C to +70°C
Storage Temperature Range	−65°C to +150°C

Note: The “Absolute Maximum Ratings” are those values beyond which the safety of the device cannot be guaranteed. The device should not be operated at these limits. The parametric values defined in the “Electrical Characteristics” table are not guaranteed at the absolute maximum ratings. The “Recommended Operating Conditions” table will define the conditions for actual device operation.

Recommended Operating Conditions

Symbol	Parameter		DM7556			DM8556			Units
			Min	Nom	Max	Min	Nom	Max	
V _{CC}	Supply Voltage		4.5	5	5.5	4.75	5	5.25	V
V _{IH}	High Level Input Voltage		2			2			V
V _{IL}	Low Level Input Voltage				0.8			0.8	V
I _{OH}	High Level Output Current				−2			−5.2	mA
I _{OL}	Low Level Output Current				16			16	mA
f _{CLK}	Clock Frequency (Note 1)		0		25	0		25	MHz
t _w	Pulse Width (Note 1)	Clock	25			25			ns
		Clear	20			20			
		Load	30			30			
t _{CE}	Count Enable Time (Note 1)	Setup	30			30			ns
		Hold	−10			−10			
t _{SETUP(1)}	Setup Time High Logic Level (Note 1)	Data	25			25			ns
		Load	30			30			
t _{HOLD(1)}	Hold Time High Logic Level (Note 1)	Data	5			5			ns
		Load	−10			−10			
t _{SETUP(0)}	Setup Time Low Logic Level (Note 1)	Data	30			30			ns
		Load	25			25			
t _{HOLD(0)}	Hold Time Low Logic Level (Note 1)	Data	5			5			ns
		Load	−10			−10			
T _A	Free Air Operating Temperature		−55		125	0		70	°C

Note 1: T_A = 25°C and V_{CC} = 5V.

Electrical Characteristics

over recommended operating free air temperature range (unless otherwise noted)

Symbol	Parameter	Conditions	Min	Typ (Note 1)	Max	Units
V_I	Input Clamp Voltage	$V_{CC} = \text{Min}, I_I = -12 \text{ mA}$			-1.5	V
V_{OH}	High Level Output Voltage	$V_{CC} = \text{Min}, I_{OH} = \text{Max}$ $V_{IL} = \text{Max}, V_{IH} = \text{Min}$	2.4			V
V_{OL}	Low Level Output Voltage	$V_{CC} = \text{Min}, I_{OL} = \text{Max}$ $V_{IH} = \text{Min}, V_{IL} = \text{Max}$			0.4	V
I_I	Input Current @ Max Input Voltage	$V_{CC} = \text{Max}, V_I = 5.5\text{V}$			1	mA
I_{IH}	High Level Input Current	$V_{CC} = \text{Max}, V_I = 2.4\text{V}$			40	μA
I_{IL}	Low Level Input Current	$V_{CC} = \text{Max}, V_I = 0.4\text{V}$			-1.6	mA
I_{OZH}	Off-State Output Current with High Level Output Voltage Applied	$V_{CC} = \text{Max}, V_O = 2.4\text{V}$ $V_{IH} = \text{Min}, V_{IL} = \text{Max}$			40	μA
I_{OZL}	Off-State Output Current with Low Level Output Voltage Applied	$V_{CC} = \text{Max}, V_O = 0.4\text{V}$ $V_{IH} = \text{Min}, V_{IL} = \text{Max}$			-40	μA
I_{OS}	Short Circuit Output Current	$V_{CC} = \text{Max}$ (Note 2)	DM75	-25	-70	mA
			DM85	-25	-70	
I_{CC}	Supply Current	$V_{CC} = \text{Max}$		75	100	mA

Note 1: All typicals are at $V_{CC} = 5\text{V}, T_A = 25^\circ\text{C}$.

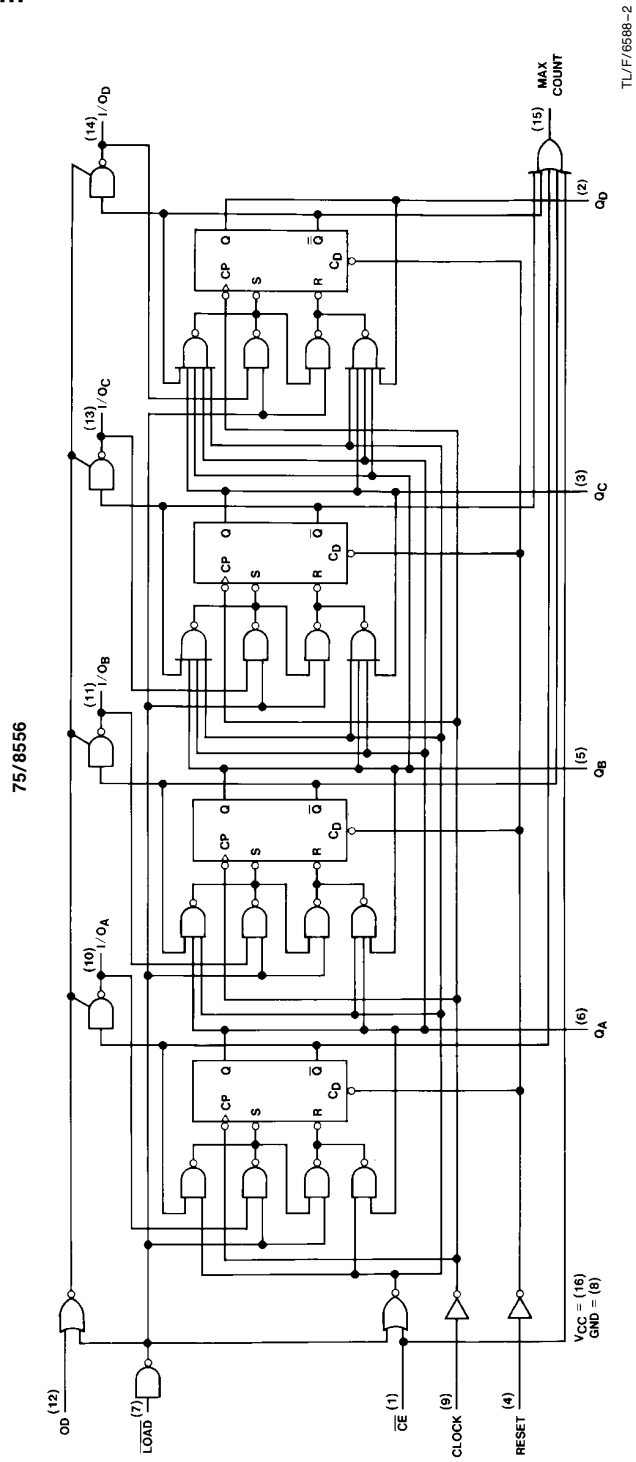
Note 2: Not more than one output should be shorted at a time.

Switching Characteristics

at $V_{CC} = 5\text{V}$ and $T_A = 25^\circ\text{C}$ (See Section 1 for Test Waveforms and Output Load)

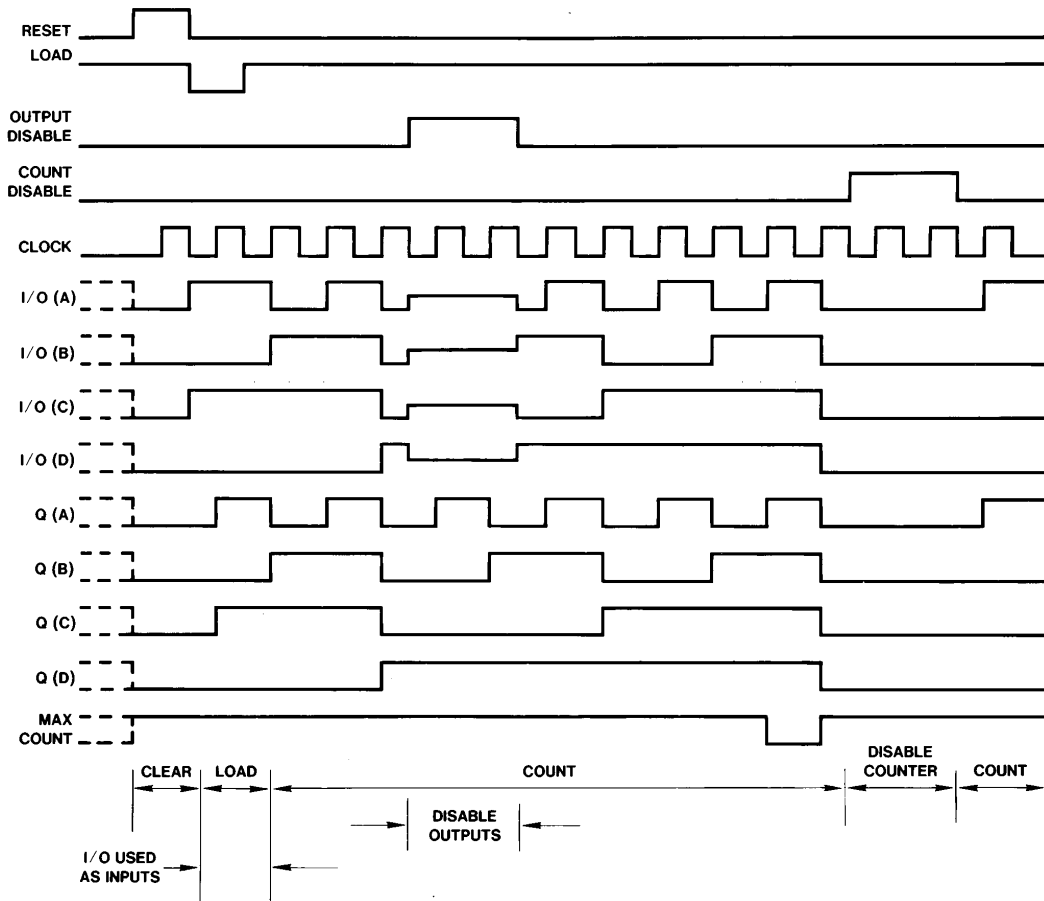
Symbol	Parameter	From (Input) To (Output)	$R_L = 400\Omega$				Units
			$C_L = 5 \text{ pF}$		$C_L = 50 \text{ pF}$		
			Min	Max	Min	Max	
f_{MAX}	Maximum Clock Frequency				25		MHz
t_{PLH}	Propagation Delay Time Low to High Level Output	Clock to Output				22	ns
t_{PHL}	Propagation Delay Time High to Low Level Output	Clock to Output				44	ns
t_{PLH}	Propagation Delay Time Low to High Level Output	Clock to MAX-CNT				33	ns
t_{PHL}	Propagation Delay Time High to Low Level Output	Clock to MAX-CNT				33	ns
t_{PHL}	Propagation Delay Time High to Low Level Output	Reset to Output				44	ns
t_{PZH}	Output Enable Time to High Level Output	Output Disable to Q				20	ns
t_{PZL}	Output Enable Time to Low Level Output	Output Disable to Q				20	ns
t_{PHZ}	Output Disable Time from High Level Output	Output Disable to Q		12			ns
t_{PLZ}	Output Disable Time from Low Level Output	Output Disable to Q		20			ns

Logic Diagram



Timing Diagram

75/8556 Typical Clear, Preset, Count, Inhibit Sequence



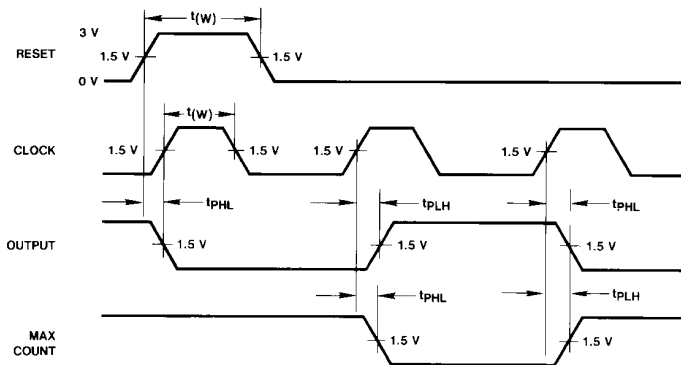
TL/F/6588-3

Sequence

- (1) Clear to zero.
- (2) Load binary five.
- (3) Count six, seven, eight, nine, ten, eleven, twelve, thirteen, fourteen, fifteen, zero.
- (4) Disable TRI-STATE outputs.
- (5) Disable counter.
- (6) Count to one.

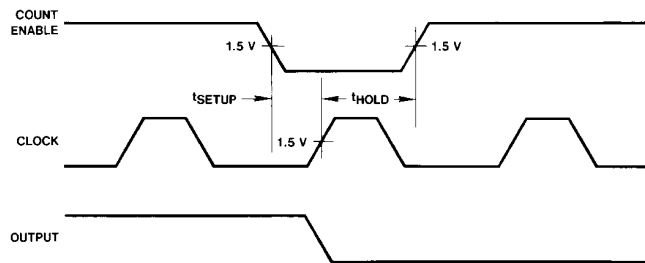
Switching Time Waveforms

Clock and Reset Voltage



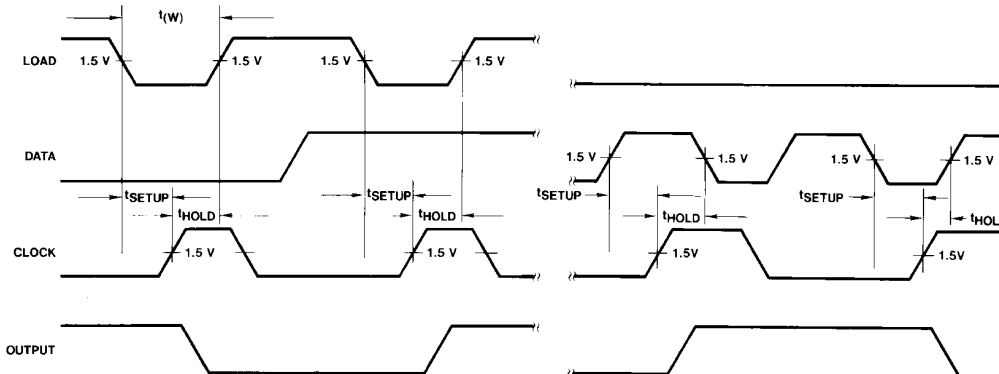
TL/F/6588-4

Count Enable and Clock



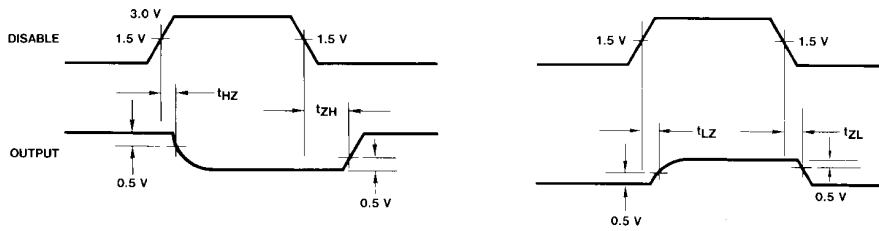
TL/F/6588-5

Load, Data and Clock



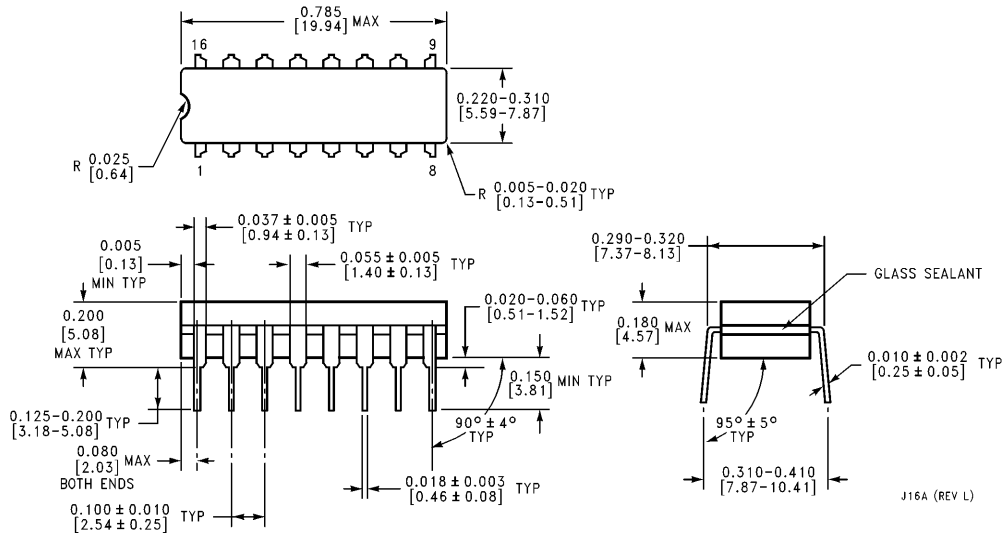
TL/F/6588-6

Output Disable



TL/F/6588-7

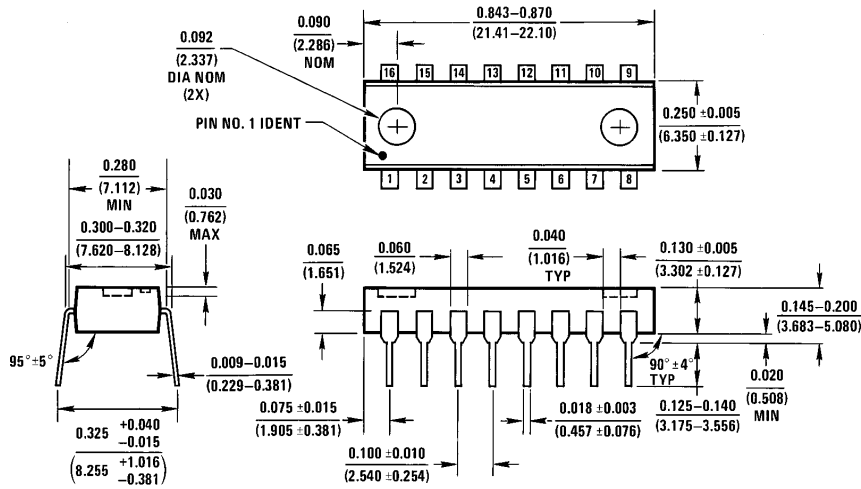
Physical Dimensions inches (millimeters)



Ceramic Dual-In-Line Package (J)
Order Number DM7556J
NS Package Number J16A

J16A (REV L)

Physical Dimensions inches (millimeters) (Continued)



Molded Dual-In-Line Package (N)
Order Number DM8556N
NS Package Number N16A

N16A (REV E)

LIFE SUPPORT POLICY

NATIONAL'S PRODUCTS ARE NOT AUTHORIZED FOR USE AS CRITICAL COMPONENTS IN LIFE SUPPORT DEVICES OR SYSTEMS WITHOUT THE EXPRESS WRITTEN APPROVAL OF THE PRESIDENT OF NATIONAL SEMICONDUCTOR CORPORATION. As used herein:

1. Life support devices or systems are devices or systems which, (a) are intended for surgical implant into the body, or (b) support or sustain life, and whose failure to perform, when properly used in accordance with instructions for use provided in the labeling, can be reasonably expected to result in a significant injury to the user.
2. A critical component is any component of a life support device or system whose failure to perform can be reasonably expected to cause the failure of the life support device or system, or to affect its safety or effectiveness.



National Semiconductor Corporation
 1111 West Bardin Road
 Arlington, TX 76017
 Tel: 1(800) 272-9959
 Fax: 1(800) 737-7018

National Semiconductor Europe
 Fax: (+49) 0-180-530 85 86
 Email: cnjwge@tevm2.nsc.com
 Deutsch Tel: (+49) 0-180-530 85 85
 English Tel: (+49) 0-180-532 78 32
 Français Tel: (+49) 0-180-532 93 58
 Italiano Tel: (+49) 0-180-534 16 80

National Semiconductor Hong Kong Ltd.
 19th Floor, Straight Block,
 Ocean Centre, 5 Canton Rd.
 Tsimshatsui, Kowloon
 Hong Kong
 Tel: (852) 2737-1600
 Fax: (852) 2736-9960

National Semiconductor Japan Ltd.
 Tel: 81-043-299-2309
 Fax: 81-043-299-2408

National does not assume any responsibility for use of any circuitry described, no circuit patent licenses are implied and National reserves the right at any time without notice to change said circuitry and specifications.

This datasheet has been download from:

www.datasheetcatalog.com

Datasheets for electronics components.