

DM74LS962 (DM86LS62) Dual Rank 8-Bit TRI-STATE® Shift Register

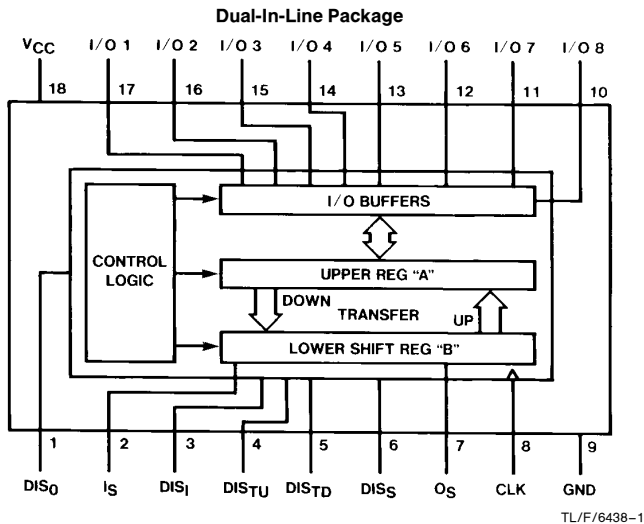
General Description

These circuits are TRI-STATE, edge-triggered, 8-bit I/O registers in parallel with 8-bit serial shift registers which are capable of operating in any of the following modes: parallel load from I/O pins to register "A", parallel transfer down from register "A" to serial shift register "B", parallel transfer up from shift register "B" to register "A", serial shift of register "B", or exchange data between register "A" and shift register "B". Since the registers are edge-triggered by the positive transition of the clock, the control lines which determine the mode or operation are completely independent of the logic level applied to the clock. Designed for bus-oriented systems, these circuits have their TRI-STATE inputs and outputs on the same pins.

Features

- Registers are edge-triggered by the positive transition of the clock
- All inputs are PNP transistors
- Input disable dominates over output disable
- Output high impedance state does not impede any other mode of operation
- 8-bit I/O pins are TRI-STATE buffers
- Typical shift frequency is 36 MHz
- Typical power dissipation is 305 mW
- All control inputs are active when in an "L" logic state
- Devices can be cascaded into N-bit word

Connection Diagram



Pin Description

- DIS_O—Output disable
- I_S—Serial input
- DIS_I—Input disable
- DIS_{TU}—Transfer up disable
- DIS_{TD}—Transfer down disable
- DIS_S—Shift disable
- O_S—Serial output
- CLK—Clock
- GND—Ground
- I/O 1 . . . I/O 8—8-bit I/O pins
- V_{CC}—Supply Voltage

DM74LS962 (DM86LS62) Dual Rank 8-Bit TRI-STATE Shift Register

Absolute Maximum Ratings (Note)

Supply Voltage	7V
Input Voltage	7V
Operating Free Air Temperature Range DM74LS/DM86LS	0°C to +70°C
Storage Temperature Range	-65°C to +150°C
Lead Temperature (Soldering, 10 seconds)	300°C

Note: The "Absolute Maximum Ratings" are those values beyond which the safety of the device cannot be guaranteed. The device should not be operated at these limits. The parametric values defined in the "Electrical Characteristics" table are not guaranteed at the absolute maximum ratings. The "Recommended Operating Conditions" table will define the conditions for actual device operation.

Recommended Operating Conditions

Symbol	Parameter	Min	Typ	Max	Units
V _{CC}	Supply Voltage	4.75	5	5.25	V
V _{IH}	High-Level Input Voltage	2			V
V _{IL}	Low-Level Input Voltage			0.8	V
I _{OH}	High-Level Output Current			-5.2	mA
I _{OL}	Low-Level Output Current			16	mA
f _{CLOCK}	Clock Frequency (Note 5)	0		25	MHz
Clock Pulse	High Pulse Width (Note 5)	25	17		ns
	Low Pulse Width (Note 5)	15	7		ns
t _{SET-UP}	Data Set-Up Time (Note 5)	10			ns
t _{HOLD}	Data Hold Time (Note 5)	0			ns
T _A	Free Air Operating Temperature	0		70	°C

Electrical Characteristics over recommended operating free air temperature range (unless otherwise noted)

Symbol	Parameter	Conditions (1)	Min	Typ (2)	Max	Units
V _I	Input Clamp Voltage	V _{CC} = Min, I _I = -18 mA			-1.5	V
V _{OH}	High-Level Output Voltage	V _{CC} = Min, V _{IH} = 2 V, V _{IL} = V _{IL} Max				V
		I _{OH} = -2.6 mA I _{OH} = -5.2 mA	2.4			
V _{OL}	Low-Level Output Voltage	V _{CC} = Min, V _{IH} = 2 V, V _{IL} = V _{IL} Max		0.25	0.4	V
		I _{OL} = 8 mA I _{OL} = 16 mA		0.35	0.5	
I _I	Input Current at Maximum Input Voltage	V _{CC} = Max, V _I = 5.5V			0.1	mA
I _{IH}	High-Level Input Current	V _{CC} = Max, V _I = 2.7V			20	μA
I _{IL}	Low-Level Input Current	V _{CC} = Max, V _I = 0.4V			-50	μA
I _{OS}	Short-Circuit Output Current	V _{CC} = Max (3)	-20		-100	mA
I _{CC}	Supply Current	V _{CC} = Max (4)		61	99	mA
I _{OFF}	TRI-STATE I/O Current	V _{CC} = Max, V _{IH} = 2V			20	μA
		V _O = 2.4V V _O = 0.4V			-20	μA

Note 1: For conditions shown as min or max, use the appropriate value specified under recommended operating conditions.

Note 2: All typical values are at V_{CC} = 5V, T_A = 25°C.

Note 3: Not more than one output should be shorted at a time, and the duration of the short circuit should not exceed one second.

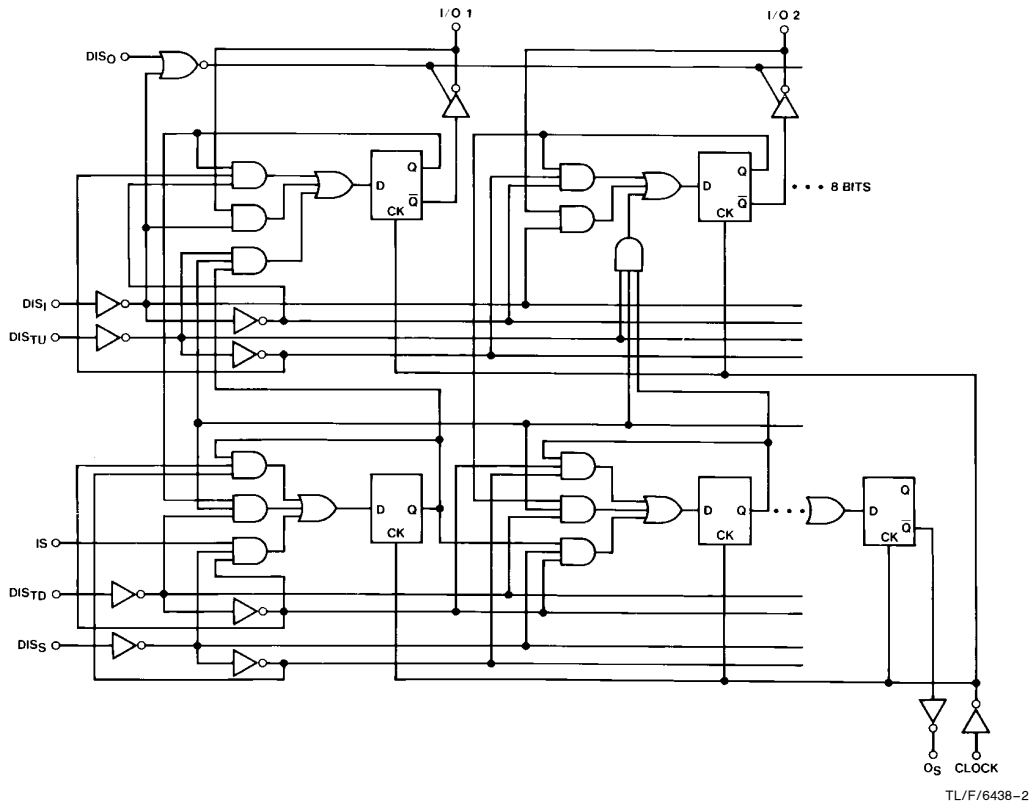
Note 4: I_{CC} is measured with serial output open, the clock and shift disable input at 2.4V. All other control inputs and I/O pins grounded.

Note 5: T_A = 25°C and V_{CC} = 5V.

Switching Characteristics $V_{CC} = 5V$ and $T_A = 25^\circ C$

Symbol	Parameter	Conditions	Min	Max	Units
f_{MAX}	Maximum Clock Frequency	$C_L = 15\text{ pF}, R_L = 1\text{ k}\Omega$	25		MHz
t_{PLH}	Propagation Delay Time, Low-to-High-Level from Clock to Any Outputs		7	33	ns
t_{PHL}	Propagation Delay Time, High-to-Low Level from Clock to Any Outputs		10	48	ns
t_{ENABLE}	Enable Time from Any Control Inputs		5	30	ns
$t_{DISABLE}$	Disable Time from Any Control Inputs		6	30	ns
t_{ZH}	Output Enable Time to High Level		5	23	ns
t_{ZL}	Output Enable to Low Level		4	18	ns
t_{HZ}	Output Disable Time from High Level	$C_L = 5\text{ pF}, R_L = 1\text{ k}\Omega$	5	23	ns
t_{LZ}	Output Disable Time from Low Level		6	27	ns

Logic Diagram



Function Table

Table I

DIS0	DIS1	DIS2U	DIS2D	DISs	CLK	IS	8-Bit I/O Pins	Content of Upper Reg. "A"								Content of Lower Serial Shift Reg. "B"								Os	Comments
								A1	A2	A3	A4	A5	A6	A7	A8	B1	B2	B3	B4	B5	B6	B7	B8		
H	H	H	H	H	X	X	Hi-Z	a1	a2	a3	a4	a5	a6	a7	a8	b1	b2	b3	b4	b5	b6	b7	b8	b8	Stable state
L	H	H	H	H	X	X	Output	a1	a2	a3	a4	a5	a6	a7	a8	b1	b2	b3	b4	b5	b6	b7	b8	b8	Entering data from I/O to reg. "A"
X	L	H	H	H	↑	X	Input	I ₁	I ₂	I ₃	I ₄	I ₅	I ₆	I ₇	b1	b2	b3	b4	b5	b6	b7	b8	b8		
H	H	L	H	H	↑	X	Hi-Z	b1	b2	b3	b4	b5	b6	b7	b8	b1	b2	b3	b4	b5	b6	b7	b8	b8	Transfer data up from reg. "B" to reg. "A"
L	H	L	H	H	↑	X	Output	b1	b2	b3	b4	b5	b6	b7	b8	b1	b2	b3	b4	b5	b6	b7	b8	b8	
X	L	L	H	H	↑	X	Input	←	←	←	←	←	←	←	←	b1	b2	b3	b4	b5	b6	b7	b8	Reg. "A" will OR data from I/O to reg. "B"	
H	H	H	L	X	↑	X	Hi-Z	a1	a2	a3	a4	a5	a6	a7	a8	a1	a2	a3	a4	a5	a6	a7	a8	a8	Transfer data down from reg. "A" to reg. "B"
L	H	H	L	X	↑	X	Output	a1	a2	a3	a4	a5	a6	a7	a8	a1	a2	a3	a4	a5	a6	a7	a8	a8	
X	L	H	L	X	↑	X	Input	I ₁	I ₂	I ₃	I ₄	I ₅	I ₆	I ₇	b1	b2	b3	b4	b5	a6	a7	a8	a8	Entering data and transfer down	
H	H	L	L	X	↑	X	Hi-Z	b1	b2	b3	b4	b5	b6	b7	b8	a1	a2	a3	a4	a5	a6	a7	a8	a8	(1) Exchange data between registers (2) Beside data exchanging, reg. "A"
L	H	L	L	X	↑	X	Output	b1	b2	b3	b4	b5	b6	b7	b8	a1	a2	a3	a4	a5	a6	a7	a8	a8	
X	L	L	L	X	↑	X	Input	←	←	←	←	←	←	←	←	a1	a2	a3	a4	a5	a6	a7	a8	a8	(3) will "OR" data from I/O and reg. "B"
H	H	H	H	L	↑	d	Hi-Z	a1	a2	a3	a4	a5	a6	a7	a8	d	b1	b2	b3	b4	b5	b6	b7	b7	Serial shifting in the lower reg. "B"
L	H	H	H	L	↑	d	Output	a1	a2	a3	a4	a5	a6	a7	a8	d	b1	b2	b3	b4	b5	b6	b7	b7	
X	L	H	H	L	↑	d	Input	I ₁	I ₂	I ₃	I ₄	I ₅	I ₆	I ₇	b1	b2	b3	b4	b5	b6	b7	b8	b7	Entering data and serial shifting	
H	H	L	H	L	↑	d	Hi-Z	b1	b2	b3	b4	b5	b6	b7	b8	d	b1	b2	b3	b4	b5	b6	b7	b7	Transfer up and serial shifting
L	H	L	H	L	↑	d	Output	b1	b2	b3	b4	b5	b6	b7	b8	d	b1	b2	b3	b4	b5	b6	b7	b7	
X	L	L	H	L	↑	d	Input	←	←	←	←	←	←	←	←	d	b1	b2	b3	b4	b5	b6	b7	b7	DOR function and serial shifting

X ≡ Don't Care

Hi-Z/Output/Input/ ≡ High impedance state/output state/input state

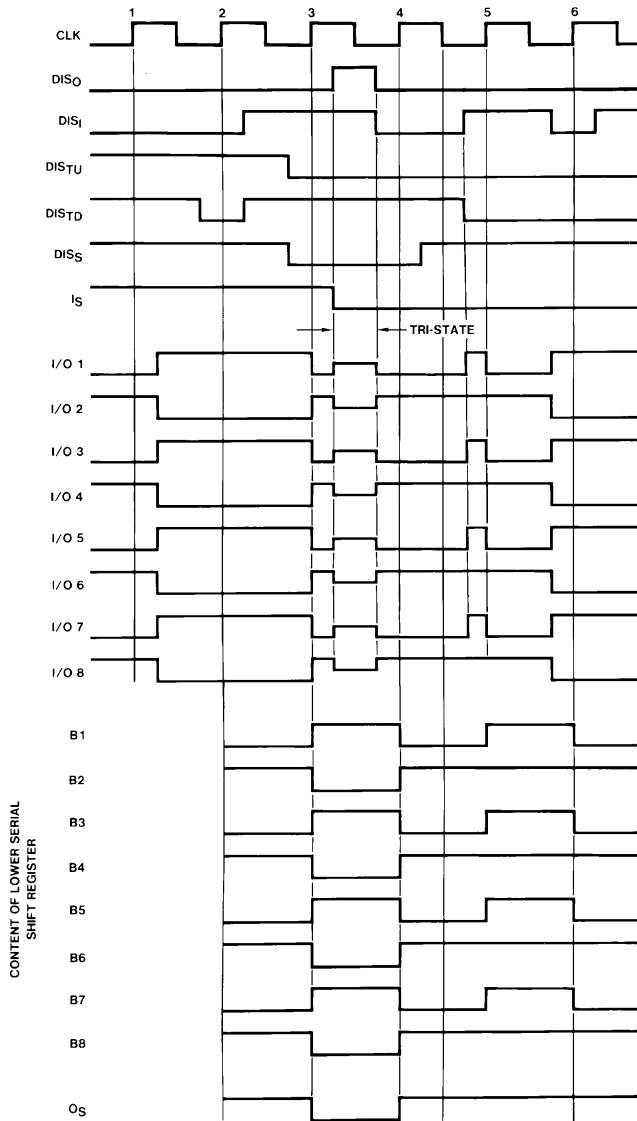
a1 ... a8/b1 ... b8 ≡ The content of the upper register "A"/the lower serial shift register "B" before the most recent ↑ transition of the clock

I₁ ... I₈ ≡ The level of steady state inputs of the I/O pins

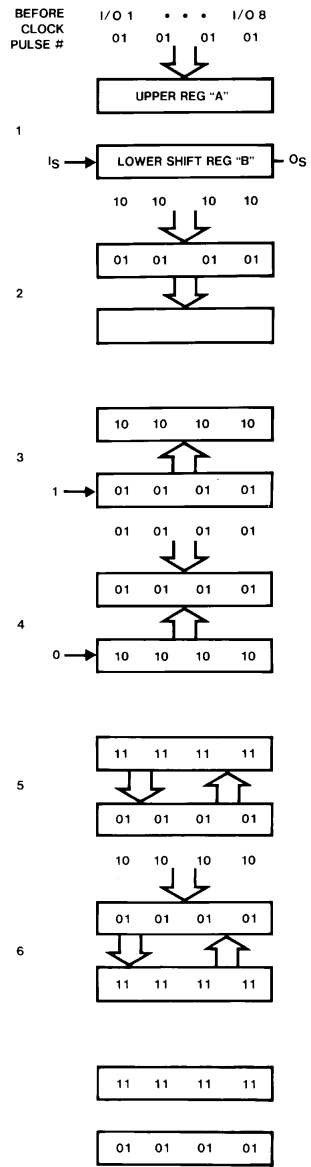
DOR ≡ "Data ORing function" ORing data from both I/O pins and register "B", i.e., I₁ + b1, I₂ + b2, I₃ + b3 ... I₈ + b8

d ≡ Data of the serial input

Timing Diagram

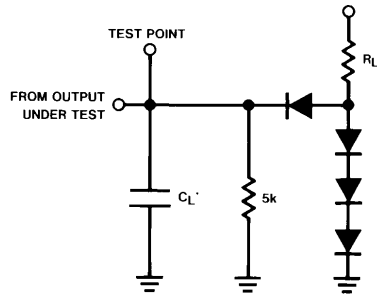


CONTENT OF LOWER SERIAL SHIFT REGISTER



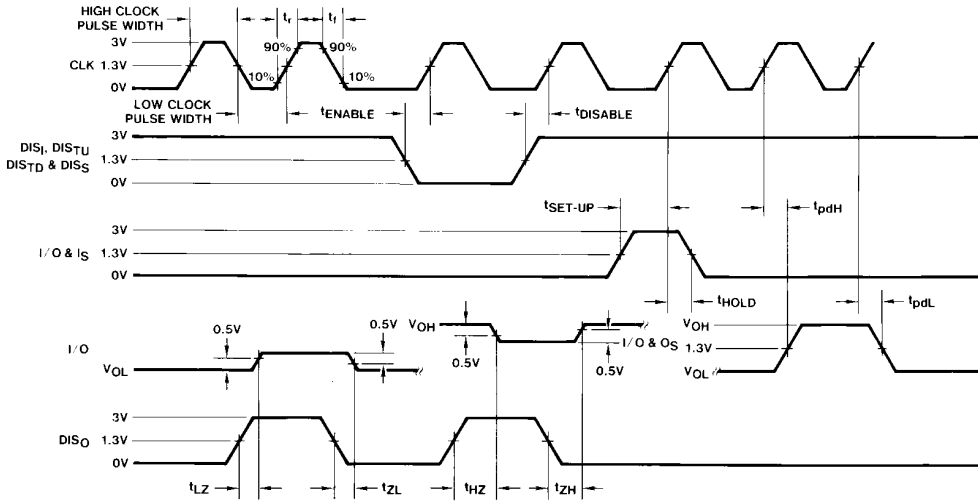
TL/F/6438-3

AC Test Circuit and Switching Time Waveforms



All diodes are 1N916 or 1N3064.
 C_L includes probe and jig capacitance.

TL/F/6438-4

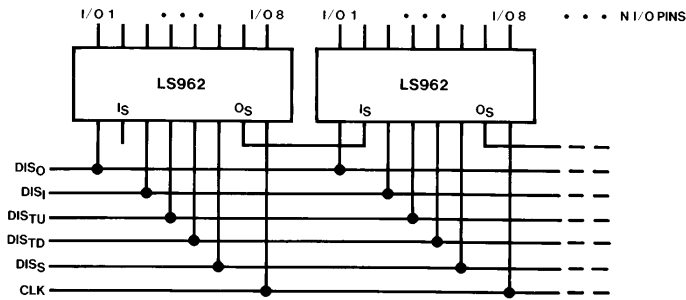


TL/F/6438-5

All input pulses are supplied by generators having $t_r \leq 15$ ns, $t_f \leq 6$ ns, $PRR \leq 1$ MHz, $Z_{OUT} \approx 50\Omega$.

Cascading Packages

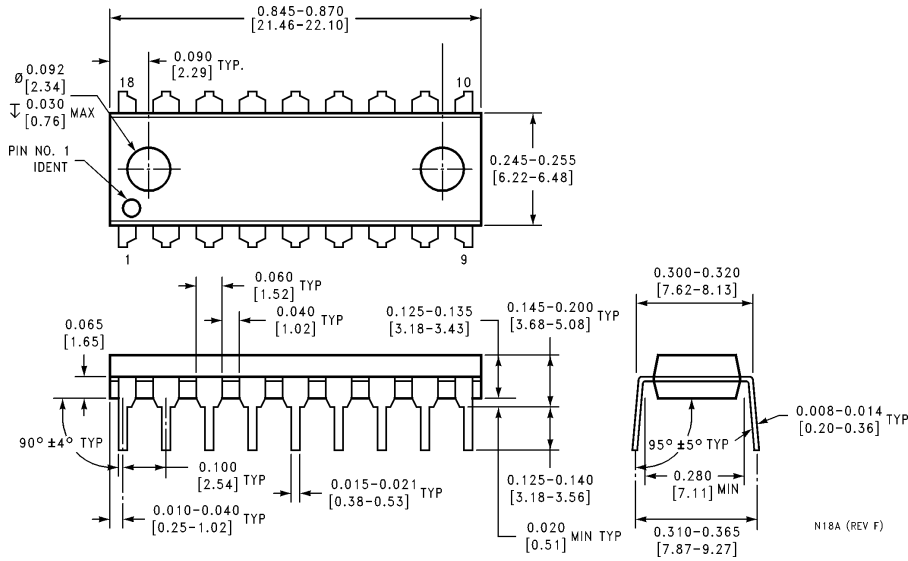
Cascading Packages for N-Bit Word



TL/F/6438-6

DM74LS962 (DM86LS62) Dual Rank 8-Bit TRI-STATE Shift Register

Physical Dimensions inches (millimeters)



18-Lead Molded Dual-In-Line Package (N)
Order Number DM74LS962N or DM86LS62N
NS Package Number N18A

LIFE SUPPORT POLICY

NATIONAL'S PRODUCTS ARE NOT AUTHORIZED FOR USE AS CRITICAL COMPONENTS IN LIFE SUPPORT DEVICES OR SYSTEMS WITHOUT THE EXPRESS WRITTEN APPROVAL OF THE PRESIDENT OF NATIONAL SEMICONDUCTOR CORPORATION. As used herein:

1. Life support devices or systems are devices or systems which, (a) are intended for surgical implant into the body, or (b) support or sustain life, and whose failure to perform, when properly used in accordance with instructions for use provided in the labeling, can be reasonably expected to result in a significant injury to the user.
2. A critical component is any component of a life support device or system whose failure to perform can be reasonably expected to cause the failure of the life support device or system, or to affect its safety or effectiveness.



National Semiconductor Corporation
 1111 West Bardin Road
 Arlington, TX 76017
 Tel: 1(800) 272-9959
 Fax: 1(800) 737-7018

National Semiconductor Europe
 Fax: (+49) 0-180-530 85 86
 Email: cnjwge@tevm2.nsc.com
 Deutsch Tel: (+49) 0-180-530 85 85
 English Tel: (+49) 0-180-532 78 32
 Français Tel: (+49) 0-180-532 93 58
 Italiano Tel: (+49) 0-180-534 16 80

National Semiconductor Hong Kong Ltd.
 19th Floor, Straight Block,
 Ocean Centre, 5 Canton Rd.
 Tsimshatsui, Kowloon
 Hong Kong
 Tel: (852) 2737-1600
 Fax: (852) 2736-9960

National Semiconductor Japan Ltd.
 Tel: 81-043-299-2309
 Fax: 81-043-299-2408

National does not assume any responsibility for use of any circuitry described, no circuit patent licenses are implied and National reserves the right at any time without notice to change said circuitry and specifications.