

DMA 2275,
DMA 2286
C/D/D2-MAC
Descrambler

Edition May 20, 1992
6251-330-1E

 **MICRONAS**

INTERMETALL

Contents

Page	Section	Title
4	1.	Introduction
4	1.1.	General Information
4	1.2.	Environment
5	2.	Chip Architecture
6	3.	Video Processor
6	3.1.	Code Converter
6	3.2.	Video Descrambler
6	3.3.	Interpolation Filter
6	3.4.	Clamping and Video Gate
7	4.	PRBS Generator
7	4.1.	Video PRBS Generator
7	4.2.	Packet PRBS Generator
7	4.3.	VBI Descrambler
8	5.	Line 625 Processor
8	5.1.	Majority Decision
8	5.2.	BCH Check
8	5.3.	Frame Counter Flywheel
8	5.4.	RTCI Detector
9	6.	Sound Processor
9	6.1.	The S Bus Interface and the S Bus
10	7.	Packet Processor
10	7.1.	Packet Acquisition
11	7.2.	Packet Descrambler
12	8.	Interface Processor
12	8.1.	Fast Processor
13	8.2.	IM Bus Interface
13	8.2.1.	IM Bus Addresses and Instructions
18	8.3.	DRAM Interface
19	8.4.	DRAM Memory Map
19	8.4.1.	Mode Register
20	8.4.2.	Pac1 Register
21	8.4.3.	Pac2 Register
23	8.4.4.	Coeff Register
24	8.4.5.	CW Register
25	8.4.6.	Error Buffer
26	8.4.7.	Packet Buffer
28	8.4.8.	Line 625 Buffer
29	8.4.9.	Scratch Buffer
29	8.5.	FP Memory Map

Contents, continued

Page	Section	Title
31	9.	Specifications
31	9.1.	Outline Dimensions
31	9.2.	Pin Connections
34	9.3.	Pin Configuration
34	9.4.	Pin Descriptions
35	9.5.	Pin Circuits
36	9.6.	Electrical Characteristics
36	9.6.1.	Absolute Maximum Ratings
37	9.6.2.	Recommended Operating Conditions
39	9.6.3.	Characteristics
40	9.6.4.	Sound DRAM Interface Characteristics
42	9.6.5.	Acquisition DRAM Interface Characteristics
44	9.6.6.	Waveforms
46	10.	References

DMA 2275, DMA 2286

The DMA 2275 and DMA 2286 C/D/D2–MAC Descrambler

1. Introduction

1.1. General Information

The DMA 2275 is a digital real–time descrambling processor for the D2–MAC/Packet system. Together with the D2–MAC/Packet decoder chip DMA 2271, it can be used to build up a D2–MAC/Packet conditional access receiver.

The DMA 2286 is a digital real–time descrambling processor for the C/D/D2–MAC/Packet system. Together with the C/D/D2–MAC/Packet decoder chip DMA 2281, it can be used to build up a C/D/D2–MAC/Packet conditional access receiver.

The programmable VLSI circuits in CMOS technology are housed in 68–pin packages and contain on a single silicon chip the following functions:

DMA 2275 and DMA 2286

- descrambling of MAC video signal
- interpolation of MAC video signal (aspect ratio 16:9)
- descrambling of MAC data packets
- descrambling of VBI–teletext
- entitlement packet acquisition
- supplementary general purpose packet acquisition
- line 625 acquisition
- communication with external microprocessor via the IM bus

DMA 2286 only

- one subframe sound processing C/D/D2–MAC

1.2. Environment

Figures 1–1 and 1–2 show how the descrambler chips DMA 2275 and DMA 2286 can be implemented into a MAC conditional access receiver together with other circuits of ITT’s DIGIT 2000 digital TV system. These re-

ceivers provide descrambling facility for one video service and up to four audio or data services including VBI–teletext. It is important to notice that the DMA 2275 or DMA 2286 do not include any decryption or security functions. These functions will be carried out by one or more conditional access subsystems (CASS) which communicate with the descrambler chip via the central control unit (CCU) and the IM bus.

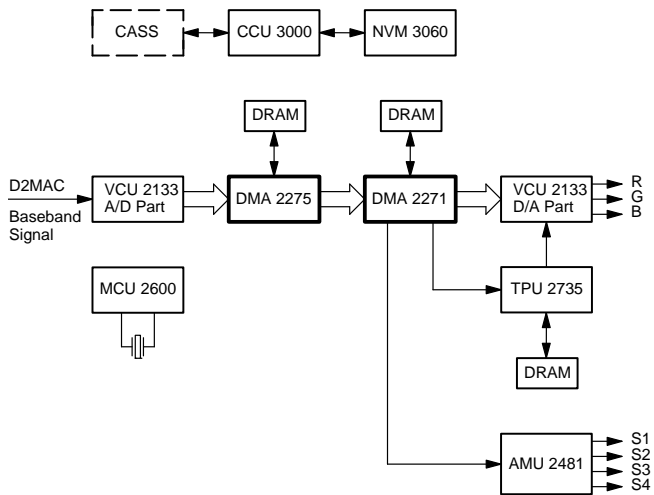


Fig. 1–1: Block diagram for a stand–alone D2–MAC decoder

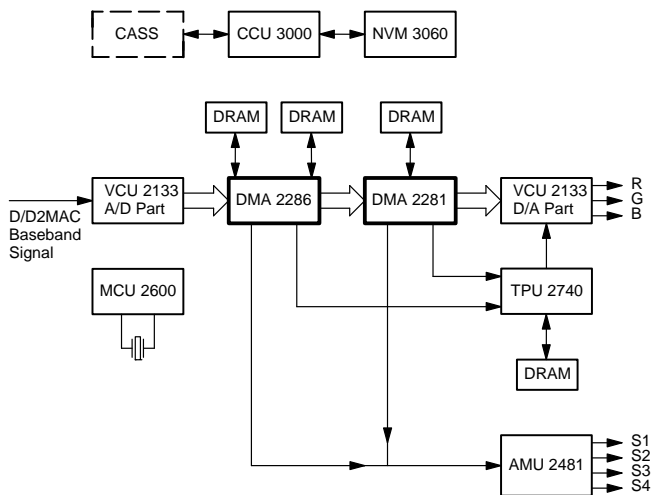


Fig. 1–2: Block diagram for a stand–alone D/D2–MAC decoder

2. Chip Architecture

Figure 2–1 shows the architecture of the descrambling chip DMA 2286. The DMA 2275 architecture is identical to the that of the DMA 2286, except that the sound processor is missing. The chips can be subdivided into several functional blocks.

DMA 2275 and DMA 2286:

Video Processor

- descrambling, panning and interpolation of the video signal

PRBS Generator

- delivers cut points and cipher streams

Line 625 Processor

- acquisition of service identification data and real time control information

Packet Processor

- acquisition of entitlement packets, acquisition of general purpose packets, selection of cipher stream, descrambling of data packets

Interface Processor

- management of internal and external data transfer

Timing Generator

- delivers internal chip timing

DMA 2286 only:

Sound Processor

- spectrum descrambling of data burst, packet deinterleaving (one subframe only), sound packet processing (one subframe only)

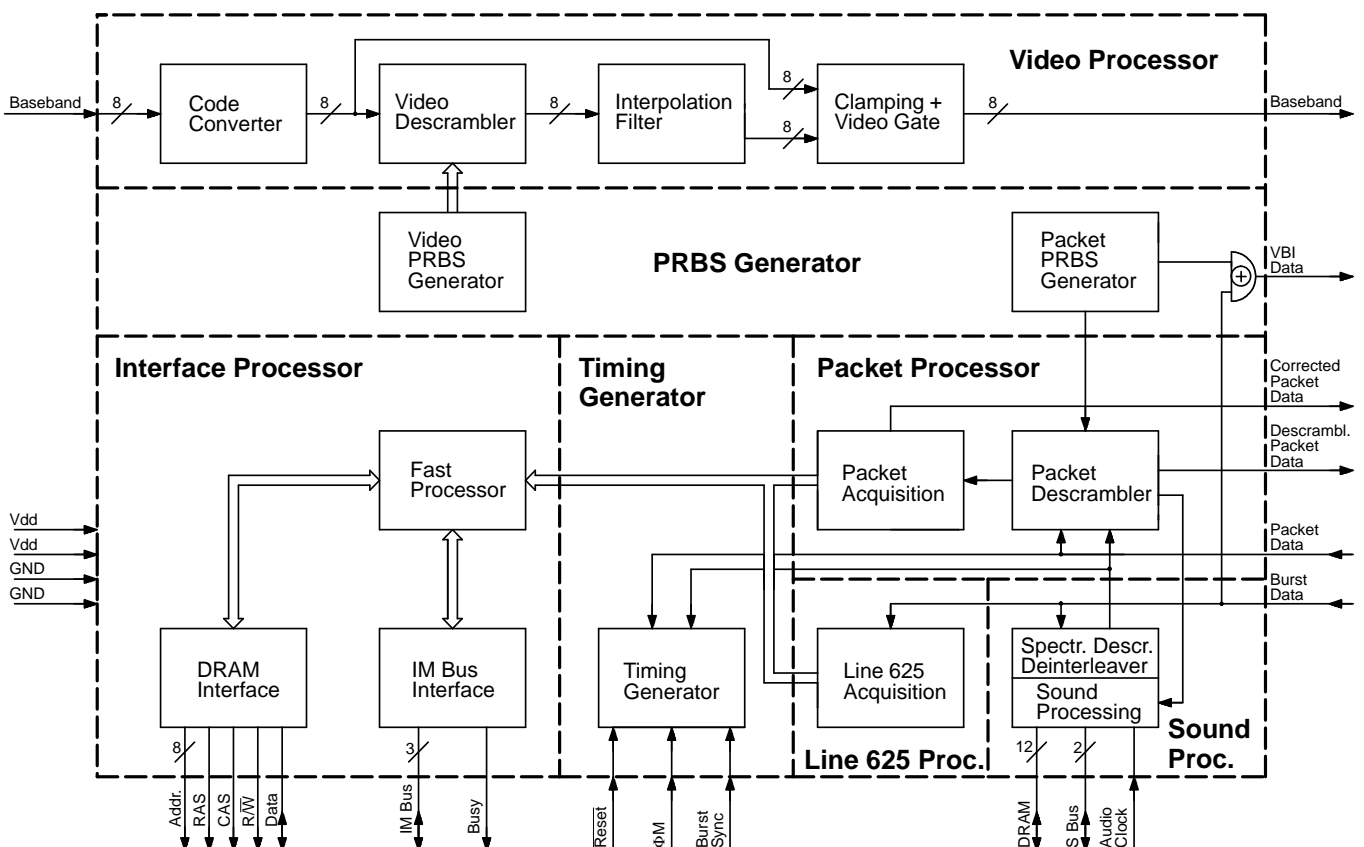


Fig. 2–1: Block diagram of the DMA 2286

3. Video Processor

The video processor consists of:

- Code Converter
- Video Descrambler
- Interpolation Filter
- Clamping and Video Gate

3.1. Code Converter

Input for the video processor is the digitized baseband signal which may be delivered by the VCU 2133 in parallel Gray code or by the UVC 3130 in simple binary code. Therefore, a code converter from Gray to binary code is intended. This converter can be disabled under software control (bit 6 of video mode register) and can be switched from 7 to 8 bit input (test bit TT6).

3.2. Video Descrambler

To make the transmitted video signal unintelligible, the luma and/or chroma component are cut into two segments in the MAC encoder. These two segments are then transposed. Task of the video descrambler is to retranspose the segments into their original waveform.

Three different video waveforms are possible:

- clear
- double-cut component rotation
- single-cut line rotation

The video descrambler has to cope with all these video waveforms. In any case the output signal has a constant delay of $1296 + 4$ clock periods in order to avoid synchronization problems during change of the video scrambling mode. For any video configurations not corresponding to Fig. 3, part 2, p. 75 of ref. 1, the video descrambler should be disabled by the software. The signal is then passed through the descrambler unaffected except for the delay of one line.

The baseband data burst signal passes the video descrambler through a special shift register, luma and chroma rotation is done in within two video RAMs. The video RAMs are subdivided into chroma and luma segments which are organized as ringbuffer. The concerning address counter is loaded every line with a start value depending on the cut point (CPL or CPC) in case of scrambling, on the pan vector (PANV) in case of 16:9 aspect ratio and in any case on an offset value which is programmable (FP register 33 and 34). The calculation of the start address is done by the Fast Processor in real time. The expansion of the compatible 4:3 part in case of 16:9 aspect ratio is done by reading every third sample twice.

3.3. Interpolation Filter

If the compatible 4:3 part of a 16:9 picture is to be processed (see Fig. 7, part 2, p. 79 of ref. 1), only this part of the luma and chroma component is read out of the video memory (262 chroma samples, 523 luma samples). An interpolation filter is then used to regain the number of samples expected by the DMA 2271 or DMA 2281 (349 chroma samples, 697 luma samples). The sampling rate ratio is 4:3. The filter function is defined by a set of 16 coefficients, which are programmable. Download of these coefficients into the interpolation filter is a one shot function triggered by software (bit 4 of video_mode register).

The interpolation is not influenced by the video scrambling method, because the output signal of the video memory appears unscrambled. The position of the compatible 4:3 part is programmable so that user panning is possible. The panning can also be controlled by the broadcaster when sending real time pan vectors in line 625. The selection of these two panning modes is done by bit 7 of the scram_mode registers.

The high frequency losses in the interpolation filter can be partly compensated with a peaking filter. Low peaking increases the signal level about 6 dB at 5 MHz, high peaking increases the signal level about 10 dB at 5 MHz. Peaking is controlled with bit 0 and 1 in the video_mode register.

Alternatively the interpolation and peaking filter can be used for baseband filtering. It is then enabled not only during active video, but also during the data burst and VBI transmission. The filter coefficients have to be changed for this application.

3.4. Clamping and Video Gate

The DC level of the analog baseband signal is controlled by the clamping circuit of the DMA 2271 or DMA 2281 decoder chip which measures the clamping period of each line. The line store in the video descrambler of the DMA 2275 or DMA 2286 would cause a line delay within the clamping control loop with all corresponding problems.

Therefore, the line store of the descrambler chip is bypassed during the clamping period to avoid the line delay. The position of the clamping bypass within the line can be programmed in steps of 99 clock cycles (bit 3–0 in mac_mode register). Clamp position '0' would be located after the first subframe of a D-MAC signal. Clamp position '1' is the default specified in ref 1. The clamp bypass is automatically disabled in line 625 and line 1.

Finally, a video gate is provided to switch the luminance component to black and the chrominance component to zero in case of denied access to the video service. This gate can be used in country by country control (CbCC) applications to black out special programs under software control (bit 5 of video_mode register).

4. PRBS Generator

The PRBS generator delivers pseudo random binary sequences to descramble the video signal, packet data, and VBI data. It consists of:

- Video PRBS Generator
- Packet PRBS Generator

4.1. Video PRBS Generator

The Video PRBS generator delivers the cut points for the luma and chroma component as two bytes per line (CPL and CPC). These two bytes are calculated in the PRBS 2 generator described in detail in Fig. 4, part 6, p. 205 and Fig. 3, appendix to part 6, p. 309 of ref. 1.

The PRBS 2 generator is clocked 16 times at the beginning of each line in a way that the cut points are available before start of the vision signal. The PRBS 2 generator is loaded with a 60 bit video initialization word (VIW) at the beginning of each frame. The video initialization word is a combination of the 8 bit frame counter (FCNT) and a 60 bit video control word (VCW) which is either one of the local control words (LCW_even and LCW_odd) or one of the video control words received from the CASS (VCW_even and VCW_odd).

The selection of even or odd control words is done with the LSB of the conditional access frame counter (CAFCNT). CAFCNT and FCNT are delivered by the line 625 processor. All control words (including the local control words) are read out of the control word registers of the external acquisition DRAM. These registers must be defined by CCU software, which gets control words from the CASS and initializes the local control words with all bits set to '1'.

4.2. Packet PRBS Generator

The packet PRBS generator delivers the descrambling sequence for four different data channels which may carry sound or teletext or any other data service. The sequence is used to descramble the 720 useful data bits (after packet header and PT-byte) of packets carrying a scrambled service component.

The packet PRBS generator consists of four PRBS 1 generators and four PRBS 3 generators described in detail in Fig. 3, part 6, p. 203, Fig. 5, part 6, p. 207, Fig. 2, appendix to part 6, p. 308 and Fig. 4, appendix to part 6, p. 310 of ref. 1.

The four data initialization words (DIW) for the PRBS 1 generators are derived in the same way as in the video PRBS generator and are loaded at the beginning of each frame. Each PRBS 1 generator is then clocked 61 times before receiving the next data packet and the serial output, called packet initialization word (PIW), is loaded into the PRBS 3 generator.

The actual descrambling sequence is generated in one of the PRBS 3 generators which is selected by the packet recognition each time a scrambled packet arrives. Channel 1 of the packet recognition selects the PRBS 3 generator which is loaded from the PRBS 1 generator initialized with DCW1 and so on.

4.3. VBI Descrambler

Although there is no specification of VBI descrambling in ref. 1, the DMA 2275 or DMA 2286 provide means of descrambling VBI data in a simple manner.

The PRBS 1 generator for channel 4 can be used to descramble 2–4 PSK demodulated or duobinary decoded data in the VBI (e.g. VBI-teletext). In this case the PRBS 1 generator will be clocked with 10.125 MHz (D2-MAC) or 20.25 MHz (C/D-MAC) and its serial output is directly used to descramble the VBI data burst. The VBI_PRBS starts with bit 117 and stops after bit 648 (D2-MAC) or bit 1296 (D-MAC) of each data burst of the VBI. The VBI is defined from line 1 to 22 and line 311 to 334 inclusive. Due to the fast processor software (see Fig. 8–1), the PRBS 1 generator can only be loaded in line 7. This means that the VBI descrambler operates from line 1 to line 6 with the data initialization word (DIW) of the previous frame. During line 7 the VBI data output (pin 20) is unpredictable.

The delay between data burst input (pin 19) and descrambled VBI data output (pin 20) is 4 clock periods.

5. Line 625 Processor

The line 625 processor is loaded via the data burst input. Line 625 is identified by checking the sync pulse of the data burst input. The normal sync pulse covers only 6 bits of the line synchronization word (LSW), the sync pulse of line 625 covers 102 bits of the frame synchronization data (FSD) and is directly followed by:

– 5 bit	UDT	unified data time
– 71 bit	SDF	static data frame
– 470 bit	RDF	repeated data frame
546 bit		line 625 data

In case of C-MAC or D-MAC the 546 bits of UDT, SDF and RDF are interleaved with PRBS data. The PRBS data are discarded by using a clock divider so that the clock frequency for the line 625 processor is unique for C-, D- and D2-MAC (10.125 MHz). UDT, SDF and the error corrected TDMCTL data are stored into the external acquisition DRAM (see figure “Line 625 Buffer”) and are updated every frame.

The line 625 processor consists of:

- Majority Decision
- BCH Check
- Frame Counter Flywheel
- RTCI Detector

5.1. Majority Decision

The RDF consists of five successive identical 94 bit data blocks transmitting time division multiplex control (TDMCTL) information. The fivefold repetition is used by a 3 of 5 majority decision including the BCH suffix.

5.2. BCH Check

SDF and TDMCTL are each protected by a 14 bit BCH suffix. The BCH check is only used for error detection. BCH check for the TDMCTL is done after majority decision. The complete SDF (71 bit) or TDMCTL (94 bit) information is stored into DRAM together with two error flags SDF_Error and TDM_Error indicating the result of the BCH check.

5.3. Frame Counter Flywheel

The 8 bit frame counter (FCNT) is used in conjunction with the PRBS generators of the descrambling system. The correct acquisition of FCNT is essential to maintain a scrambled service. Therefore, a flywheel technique is used in a way that a free running frame counter is synchronized from time to time with the received FCNT in line 625. In this case even the loss of several line 625 data will not disturb the service acquisition.

The CAFCNT LSB is used to select even and odd control words and allows frame accurate switching from one phase to the other. Therefore, a similar flywheel technique is used to protect this LSB. In fact, the internal CAFCNT LSB is the 9th bit of the free running frame counter and is synchronized by the actually transmitted CAFCNT LSB after a majority decision over several frames.

5.4. RTCI Detector

A special TDMCID code in the TDMCTL indicates the presence of real time control information (RTCI) transmitted instead of TDMS and LINKS. TDMCID = ‘81’ (hex) is defined to signal the transmission of real time panning information.

The pan vector PANV is needed for panning the 4:3 portion of a 16:9 picture. In this case the 63 bits of TDMS and LINKS are substituted with 56 bits of PANV. PANV is organized in seven bytes giving the pan vector for seven consecutive frames starting from the second frame after transmission. Each byte of PANV defines in 2’s complement format the offset of the 4:3 portion from the center position (see Fig. 7, part 2, p. 79 of ref. 1).

After detection of TDMCID = ‘81’ (hex) the following seven bytes are stored in a FIFO which is read out once a frame with one frame delay. If the FIFO is empty the last byte will be repeated until a new pan vector is received. The TDMCTL transmitting the pan vector will be stored into the line 625 buffer like any other TDMCTL information.

If user panning is selected by software, the pan vector inside TDMCID will be ignored and a user defined pan vector will be used instead, allowing the user to pan the picture himself. In any case the recently transmitted pan vector in line 625 is stored in the pan output register to allow the software to make a smooth return between different pan positions.

6. Sound Processor

The DMA 2286 contains an additional sound processor, which is loaded via the data burst input. The sound processor consists of:

- spectrum descrambler
- deinterleaver
- sound processing
- S Bus interface

These blocks are identical to the sound processing blocks of the DMA 2281 (see ref. 2). Both sound processors are able to decode 4 sound channels out of one single subframe. The subframe position is programmable to allow full channel data reception.

On the DMA 2286 the output of the deinterleaver is internally fed to the packet descrambler and the descrambled packets are going back to the sound processor.

The sound processor needs a separate external 64 k x 1 bit DRAM, which is independent from the acquisition DRAM and is not accessible by software.

6.1. The S Bus Interface and the S Bus

The S bus has been designed to connect the digital sound output of the DMA 2271 or DMA 2281 MAC Decoder or the MSP 2400 NICAM Demodulator/Decoder to audio-processing ICs such as the AMU 2481 Audio Mixer or the ACP 2371 Audio Processor etc., and to connect these ICs one to the other. The S bus is a unidirectional, digital bus which transmits the sound information in one direction only, so that it is not necessary to solve priority problems on the bus.

The S bus consists of the three lines: S–Clock, S–Ident, and S–Data. The DMA 2271, DMA 2281 or the MSP 2400 generates the signals S–Clock and S–Ident, which control the data transfer to and between the various processors which follow the DMA 2271, DMA 2281 or the MSP 2400. For this, the S–Clock and S–Ident inputs of all processors in the system are connected to the S–Clock and S–Ident outputs of the DMA 2271, DMA 2281 or the MSP 2400. S–Data output of the DMA 2271, DMA 2281 or MSP 2400 is connected to the S–Data input of the next following AMU, the AMU’s S–Data output is connected to the ACP’s S–Data input and so on.

The sound information is transmitted in frames of 64 bits, divided into four successive 16–bit samples. Each sample represents one sound channel. The timing of a complete transmission of four samples is shown in Fig. 9–13, the times are specified under “Recommended Operating Conditions”. The transmission starts with the LSB of the first sample. The S–Clock signal is used to write the data into the receiver’s input register. the S–Ident signal marks the end of one frame of 64 bits and is used as latch pulse for the input register. The repetition rate of S–Ident pulses is identical to the sampling rate of the D/D2–MAC or NICAM sound signal; thus it is possible to transfer four sound channels simultaneously.

The S bus interface of the DMA 2286 mainly consists of an output register, 64–bit wide. The timing to write bit by bit is supplied by the Audio–Clock signal. In the case of an S–Ident pulse, the contents of the output register are written to the S–Data output.

The S_Bus_Data line of the DMA 2286 can be connected to that of the DMA 2281 if only one audio processor AMU 2481 is available. In this case each S_Bus channel of both DMA chips can be enabled or disabled under software control.

7. Packet Processor

The packet processor is loaded via the scrambled packet data input with packets of one subframe delivered by the DMA 2271 or DMA 2281 and additionally has an internal connection to the deinterleaver of the DMA 2286 for packets of the other subframe. Packet data on these lines are already spectrum descrambled and deinterleaved. The packet header and the PT byte have already been corrected. The transmission of each packet starts with a '0' bit followed by 751 bit packet data with a unique bit rate of 10.125 MHz (for C-, D- and D2-MAC).

To avoid simultaneous reception of two packets from different subframes, the packet output of the DMA 2286 has to be delayed in reference to the packet output of the DMA 2281. This can be done with the CD bit in IM_Bus register 197.

The packet processor consists of:

- Packet Acquisition
- Packet Descrambler

7.1. Packet Acquisition

Task of the packet acquisition is to select specific packets out of the packet multiplex. In case of C- or D-MAC packets can be located in one or two subframes, therefore, the packet selection will be repeated in the second subframe if necessary. The selected packets can be error corrected if needed and are stored into packet buffers which are located in the acquisition DRAM.

Due to timing conflicts with the line 625 acquisition, it is not possible to acquire packets in the last (82nd) packet slot of each subframe.

Additionally, all packets of both subframes are available on a separate output pin (corrected packet data output), only that the selected packets are replaced by their error corrected equivalents.

The most common application of the packet acquisition will be the selection of the following packets:

- '0' packets
- EMM packets
- ECM packets
- BI packets
- 2nd level teletext packets
- general purpose data packets

The '0' packets are forming the service identification (SI) channel. The first thing the receiver software has to do is to monitor the SI channel and to configure the receiver according to the SI information. '0' packets are either hamming protected (H[8,4]) or golay protected (Golay

[24,12]). The SI channel is subdivided into 16 data groups which can be identified by the data group (TG) byte immediately following the PT byte of the packet header.

The EMM and ECM packets are essentially carrying encryption keys and control words. Their packet addresses are indicated by the LISTX, ACMM and ACCM parameters of the service identification channel. EMM packets can be addressed to a single customer or a group of customers by means of an address extension field of up to 36 bit, immediately following the PT byte. EMM and ECM packets are highly error protected (Golay [24,12] or Hamming [8,4]).

BI packets are carrying additional interpretation data related to sound packets with the same packet address. They are selected by their PT byte ('00' or '3F'). BI packets are not error corrected.

Second level teletext packets can be selected to do Golay [24,12] correction. They are available then on the corrected packet data output which can be connected to the teletext processor TPU 2740.

Every selected packet is CRC checked regardless of packet type and error protection. The CRC check is done over the full range of 720 bit and does not change any packet data. CRC check, Golay [24,12] and Hamming [8,4] error correction is done in real time, i.e. with 10.125 MHz. In case of packets with Golay [24,12] error protection, the protection bits will be removed before storing these packets into the packet buffer. The packet length is therefore reduced from 96 bytes (full length packet) to 48 bytes (half length packets), doubling the possible number of packets in the related packet buffer. The result of CRC check and the number of uncorrectable Golay or Hamming codes per packet is indicated in a special packet error buffer which holds up to 16 error bytes for every packet buffer. In case of full length packets, only every second entry of the error buffer is used.

Every selected packet is stored into the external acquisition DRAM of the descrambler chip. The DRAM includes 8 independent packet buffers, each offering the data capacity to store 8 full length packets or 16 half length packets. The packet buffers can be read out by software at any time and in any sequence. There are two ways to use these packet buffers. One is the "standard" buffer application where the buffer is automatically closed when it is filled up with packets. The buffer must then be reopened by software to start packet acquisition again. The second way is the "ring" buffer application where the packet buffer is always open and the oldest packets in the buffer are overwritten by the next incoming packets.

Each packet buffer can be monitored by reading its buffer status. The buffer status is located in the FP memory and includes a buffer pointer (bit 4–0) which indicates the position where the next packet will be stored in numbers of half length packets. In ring buffer application this pointer runs modulo 16 and in standard buffer application the pointer stops at 16.

The buffer application (standard/ring) can be defined with bit 5 in the buffer status register. Bit 7 allows to close or reopen the buffer under software control. Bit 6 defines the buffer increment. that means whether the buffer will store full length (96 byte) packets or half length (48 byte) packets.

Each of the 8 packet buffer is attached to a programmable packet filter which selects specific packets out of the packet multiplex depending on packet address (PA), continuity index (CI), packet type (PT) and packet address extension (PAE). The packet address extension can be used to select EMM packets by their specific customer address (UCA, SCA, CCA) or to select ECM packets by command identification (CI) or to select the data group type (TG) of '0' packets. This selection is done after error correction.

Each of the 8 packet filter is controlled by a set of registers located in the acquisition DRAM and programmable by software. The 'packet address base' (PAB) registers define the 10 bit packet address and the continuity index. The 'packet address extension' (PAE) registers define up to 36 bit of the address extension field. The 'packet selection control' (PSC) registers define how packets will be selected, error corrected and linked together.

The software should take care of conflicts like programming different packet filters with the same conditions. There must be at least one difference in the combination of packet address, continuity index, packet type, and packet location. Otherwise the result of the packet selection will be undefined.

If packet link is activated, the first packet meeting all programmed conditions is defined as sync packet. Selection of continuation packets is done according to the packet link status. In case of CI link, the continuity index of following packets will be ignored. In case of PT link, the packet type selection is changed to PT2. a special bit in the buffer status indicates if this procedure has been activated by the first sync packet. The packets are then stored into the packet buffer in the same order as they are transmitted. The choice of packet link is independent from the choice of buffer application.

Depending on the page select bit in the PSC register the packet address extension is checked in every packet or only in the sync packet. To select linked EMM packets by

customer address this bit should be '0', to select linked '0' packets by data group type this bit should be '1'.

7.2. Packet Descrambler

Main task of the packet descrambler is to detect those sound or data packets that have to be descrambled. Four different packet addresses can be recognized. After detection of such a packet the concerning PRBS 3 generator is selected and produces an output sequence of 720 bit to descramble the packet data. The PT-Byte of each selected packet is decoded to disable the PRBS 3 generator output in case of BI packets ('00' or '3F'). The packet descrambler can be switched to "automatic" operation. In this mode the 4 center bits of the packet address are ignored by the packet address comparator.

In case of C- or D-MAC, packets carrying one digital component can be inserted in one or both subframes, therefore the packet recognition will be repeated in the second subframe if necessary.

Because the packet header is not scrambled, the packet recognition has about 20 clock cycles to compare the packet address before start of the descrambling sequence. Therefore there is only a 4 clock cycle delay between packet input and output.

Additionally, a packet gate is provided to remove packets from the packet output in case of denied access to that particular service. These packets are not physically removed – only the 720 bits after the packet header are set to '1'.

Any other packet not selected by the packet recognition passes through the packet descrambler unaffected but with a delay of 4 clock periods.

The packet recognition is controlled by a set of registers located in the acquisition DRAM and programmable by software. The 'scrambled packet address' (SPA) registers define the 10 bit packet address and the 'scrambled packet status' (SPS) registers define packet location and status.

The software should take care of conflicts like programming different SPA and SPS registers in the combination of packet address and packet location. Otherwise, the result of the packet recognition will be undefined.

8. Interface Processor

The interface processor consists of:

- Fast Processor
- IM Bus Interface
- DRAM Interface

- support of packet acquisition
- support of line 625 acquisition
- initialization of PRBS generators
- control of video descrambler
- control of interpolation filter

8.1. Fast Processor

The fast processor (FP) is a RISC-type 12 bit microcontroller built in CMOS technology. The maximum clock frequency of 40 MHz and the internal architecture that allows parallel ALU operation and data transfer to or from internal RAM, make it applicable for very high speed tasks, such as control and parameter calculation in digital signal processors.

The FP is embedded in the DMA 2275 or DMA 2286 with 256 x 12 bit RAM and 2K x 20 bit ROM and runs with 20.25 MHz. The FP performs the following tasks:

- data transfer to and from DRAM interface
- data transfer to and from IM Bus interfaces

Fig. 8–1 shows roughly when the different FP tasks are executed within a frame period.

In normal operation the FP will not be directly accessed from outside, that means that the CCU software will not see another processor on the descrambling chip but only a set of registers and buffers which are located either in the acquisition DRAM or in the FP internal memory. The CCU can access both memories via IM Bus.

Changing any register in the DRAM memory by CCU software will not effect the descrambler hardware immediately. The FP will read or update the DRAM memory only on frame boundaries, i.e. from line 622 to line 7 inclusive. Changing registers in the FP memory by CCU software will effect the descrambler hardware immediately.

Line	line_sync	prbs2	manager	line_625_store			
1	line_sync	prbs2	manager	line_625_store			
2	line_sync	prbs2	manager	vcw_update	pab_update		
3	line_sync	prbs2	manager	dcw1_update	dcw2_update		
4	line_sync	prbs2	manager	dcw3_update	dcw4_update		
5	line_sync	prbs2	manager	cw_conversion			
6	line_sync	prbs2	manager	psc_update			
7	line_sync	prbs2	manager	prbs_init	prbs2_init	enable_imbus	enable_packet_sync
8	line_sync	prbs2		packet acquisition	imbus	packet_sync	packet_read
						pae_comparator	buffer_manager
						packet_link	packet_store
						packet_error	
622	line_sync	prbs2	manager	pae_low_update	disable_imbus	disable_packet_sync	
623	line_sync	prbs2	manager	pae_high_update			
624	line_sync	prbs2	manager	mode_update	coeff_update		
625	line_sync			line_625_sync			

Fig. 8–1: Task manager

8.2. IM Bus Interface

The INTERMETALL Bus (IM Bus for short) was designed to control the DIGIT 2000 ICs by the CCU Central Control Unit. Via this bus the CCU can write data to the ICs or read data from them. This means the CCU acts as a master, whereas all controlled ICs have purely slave status.

The IM bus consists of three lines for the signals Ident (ID), Clock (CL) and Data (D). The clock frequency range is 50 Hz to 1 MHz. Ident and clock are unidirectional from the CCU to the slave ICs, Data is bidirectional. Bidirectionality is achieved by using open-drain outputs. The 2.5 ... 1 kOhm pull-up resistor common to all outputs must be connected externally.

The timing of a complete IM Bus transaction is shown in Fig. 9–12. In the non-operative state the signals of all three bus lines are High. To start a transaction the CCU sets the ID signal to Low level, indicating an address transmission, and sets the CL signal to Low level, as well as to switch the first bit on the Data line. Then eight address bits are transmitted, beginning with the LSB. Data takeover in the slave ICs occurs at the positive edge of the clock signal. At the end of the address byte the ID signal switches to High, initiating the address comparison in the slave circuits. In the addressed slave, the IM bus interface switches over to Data read or write, because these functions are correlated to the address. Also controlled by the address the CCU now transmits eight or sixteen clock pulses, and accordingly one or two bytes of data are written into the addressed IC or read out from it, beginning with the LSB.

The completion of the bus transaction is signalled by a short Low state pulse of the ID signal. This initiates the storing of the transferred data.

For future software compatibility, the CCU must write a zero into all bits not used at present. Reading undefined or unused bits, the CCU must adopt “don’t” care behavior.

8.2.1. IM Bus Addresses and Instructions

On the DMA 2275 or DMA 2286 the IM bus registers 5–10 are used to transfer data to and from the acquisition DRAM. This is done by subaddressing. Each data transfer is preceded by the transfer of the extension address highbyte and the read or write address lowbyte. The subsequent data is written to or read from the DRAM according to the preceding address command. The DRAM address is then incremented internally to prepare for the next data transfer (auto address increment). The status register is used to synchronize the data transfer between CCU and the descrambler in terms of handshaking. For this purpose the CCU has to read the busy bit and has to wait until this bit is cleared. Reading the busy bit can be done with a normal IM bus read access which takes 16 IM Bus clock cycles or by checking the IM Bus busy signal at pin 47 which delivers the busy bit as a physical signal.

The same IM Bus registers can be used to transfer data to and from the FP internal memory. Loading the write address register (6) with an 8 bit FP address and setting bit 10 at the same time writes the 12 bit content of the extension address register (5) into the FP RAM. Loading the read address register (7) with an 8 bit FP address and setting bit 10 at the same time starts transfer of 12 bit FP data into the data (8) and status (9) register. The 8 LSBs are copied into the data register in normal order and the 4 MSBs are copied into the extension data of the status register but in reversed order.

The DMA 2286 carries a second set of IM Bus registers, which are used to control the sound processing. These IM Bus registers are a copy of the registers of the DMA 2281 with identical functions and addresses (194–198, 203–206 and 208–210). The CCU selects the IM Bus registers of the descrambler chip by writing ‘1’ into the chip select register 198. This disables all parallel IM Bus registers of the decoder chip except the chip select register. Writing ‘0’ into the chip select register disables all IM Bus registers of the descrambler chip, except the subaddressing registers 5–10 and the chip select register 198.

DMA 2275, DMA 2286

Table 8–1: Data transfer between CCU and DMA 2275/2286

Addr. No.	Bit No. Direct.	MSB															LSB														
		15	14	13	12	11	10	9	8	7	6	5	4	3	2	1	0														
5	W	<table border="1"> <tr><td>X</td><td>X</td><td>X</td><td>X</td></tr> <tr><td>0</td><td>0</td><td>0</td><td>0</td></tr> </table>				X	X	X	X	0	0	0	0	EXA Extension Address								0									
X	X					X	X																								
0	0	0	0																												
6	W	<table border="1"> <tr><td>X</td><td>X</td><td>X</td><td>X</td></tr> <tr><td>0</td><td>0</td><td>0</td><td>0</td></tr> </table>				X	X	X	X	0	0	0	0	WRA Write Address								0									
X	X					X	X																								
0	0	0	0																												
7	W	<table border="1"> <tr><td>X</td><td>X</td><td>X</td><td>X</td></tr> <tr><td>0</td><td>0</td><td>0</td><td>0</td></tr> </table>				X	X	X	X	0	0	0	0	RDA Read Address								0									
X	X					X	X																								
0	0	0	0																												
8	R/W	this is an 8 bit register								DAT Data								0													
9	R	this is an 8 bit register								<table border="1"> <tr><td>X</td><td colspan="3">EXD Extension Data</td><td>BUS Busy</td><td>RRQ Read Request</td><td>WRQ Write Request</td></tr> <tr><td>0</td><td colspan="3">0</td><td>0</td><td>0</td><td>0</td></tr> </table>				X	EXD Extension Data			BUS Busy	RRQ Read Request	WRQ Write Request	0	0			0	0	0	0			
X	EXD Extension Data			BUS Busy	RRQ Read Request	WRQ Write Request																									
0	0			0	0	0																									
10	W	TT15	TT14	TT13	TT12	TT11	TT10	TT9	TT8	TT7	TT6	TT5	TT4	TT3	TT2	TT1	TT0														
		0	0	0	0	0	0	0	0	0	0	0	0	0	0	0	0														
203	W	C1M Channel Mode				C1U Mode Update	C1E Channel Enable	C1A Channel Packet Address																							
		S	HQ	H	L	0	0	0																							
194	W	C2M Channel Mode				C2U Mode Update	C2E Channel Enable	C2A Channel Packet Address																							
		S	HQ	H	L	0	0	0																							
195	W	C3M Channel Mode				C3U Mode Update	C3E Channel Enable	C3A Channel Packet Address																							
		S	HQ	H	L	0	1	82																							
196	W	C4M Channel Mode				C4U Mode Update	C4E Channel Enable	C4A Channel Packet Address																							
		S	HQ	H	L	0	0	0																							
197	W	DRS Data Rate Select	AUM Auto Mode	CD Chip Defn.	X	X	SFS Subframe Select																								
		1	0	1	0	0	106																								
198	W	CS Chip Select				X	X	X	X	X	X	X	X	X	X	X	X	X	X												
		0				0	0	0	0	0	0	0	0	0	0	0	0	0													
204	W	X	X	X	X	X	DSB Disable S Bus	P0C P0 Clear	P0R P0 Reset	DGT Data Group Type				SBE S Bus Enable																	
		0				0	0	0	0				12																		
205	W	TT15	TT14	TT13	TT12	TT11	TT10	TT9	TT8	TT7	TT6	TT5	TT4	TT3	TT2	TT1	TT0														
		0	0	0	0	0	0	0	0	0	0	0	0	0	0	0	0														
206	R	X	P0S	C4S	C3S	C2S	C1S	X	X	BER Bit Error Rate																					
		0	0	0	0	0	0	0	0	0																					
208	R	C4L Coding Law CH4				C3L Coding Law CH3				C2L Coding Law CH2				C1L Coding Law CH1																	
		S	HQ	H	L	S	HQ	H	L	S	HQ	H	L	S	HQ	H	L														
209	R	PSH Packet 0 Syndrom High Byte								PSL Packet 0 Syndrom Low Byte																					
210	R	PDH Packet 0 Data High Byte								PDL Packet 0 Data Low Byte																					

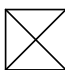
 Bit must be set to zero for write registers (W) and are don't care for read registers (R)

Table 8–2: IM Bus register of DMA 2275/2286

Address	Label	Bit No.	Function
5	EXA	0–11	extension address
6	WRA	0–11	write address bit 10: test option 2 1 = write (EXA) into fp_ram, address = (WRA)
7	RDA	0–11	read address bit 10: test option 2 1 = read fp_ram into DAT and EXA, address = (RDA) bit 11: test option 1 1 = causes fp_jump to (EXA)
8	DAT	0–7	data (from dram or fp_ram)
9	WRQ RRQ BUS EXD	0 1 2 3–6	write request read request imbus busy 1 = imbus interface busy extension data 4 msb of fp_data, but in reverse order
10	TT0 TT1 TT2 TT3 TT4 TT5 TT6 TT7 TT8 TT9 TT10 TT11 TT12 TT13 TT14 TT15	0 1 2 3 4 5 6 7 8 9 10 11 12 13 14 15	for test only bypass line memory for test only for test only for test only for test only gray decoder input 0 = 7 bit 1 = 8 bit for test only for test only for test only for test only for test only for test only for test only for test only

DMA 2275, DMA 2286

Table 8–3: IM Bus register of the DMA 2286

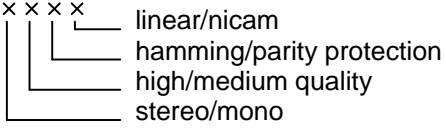
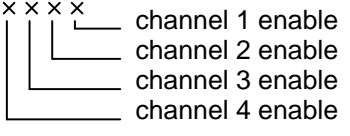
Address	Label	Bit No.	Function
203	C1A C1E C1U C1M	0–9 10 11 12–15	channel 1 packet address channel 1 packet selection enable channel 1 mode update channel 1 mode 
194	see register 203		channel 2
195	see register 203		channel 3
196	see register 203		channel 4
197	SFS CD AUM DRS	0–10 13 14 15	subframe select SFS = sample number of the first bit in the selected subframe examples: DRS = 1, first subframe SFS = 7 DRS = 1, second subframe SFS = 106 DRS = 0, first subframe SFS = 14 chip definition 0 = DMA 2271/2281 undelayed packet output of sound proc. 1 = DMA 2286 packet output delayed by 128 μs auto mode 0 = auto mode off 1 = sound coding in packet header data rate select 0 = 10.125 Mb/s D2 MAC 1 = 20.25 Mb/s C/D MAC
198	CS	14, 15	chip select 0 = imbus of DMA 2271/2281 active 1 = imbus of DMA 2286 active
204	SBE DGT POR POC DSB	0–3 4–7 8 9 10	s_bus enable, each bit enables one s_bus channel  data group type selection packet 0 reset 1: select first byte in packet 0 buffer (first byte = data group type DGT) packet 0 clear 1: enable packet 0 buffer to store next packet 0 disable s_bus data output (pin 66) 0 = enabled 1 = high impedance

Table 8–3, continued

Address	Label	Bit No.	Function
205	T0	0	for test only
	T1	1	for test only
	T2	2	for test only
	T3	3	for test only
	T4	4	for test only
	T5	5	for test only
	T6	6	enable packet descrambler
	T7	7	for test only
	T8	8	disable error concealment
	T9	9	for test only
	T10	10	for test only
	T11	11	for test only
	T12	12	for test only
	T13	13	for test only
	T14	14	for test only
	T15	15	for test only
206	BER	0–7	bit error rate: number of erroneous bits of 82 packet headers within one frame, detected by the golay decoder
	C1S	10	status of sound signal selected by C1A 0: sound signal is inactive or interrupted 1: sound signal is present
	C2S	11	status of sound signal selected by C2A 0: sound signal is inactive or interrupted 1: sound signal is present
	C3S	12	status of sound signal selected by C3A 0: sound signal is inactive or interrupted 1: sound signal is present
	C4S	13	status of sound signal selected by C4A 0: sound signal is inactive or interrupted 1: sound signal is present
	P0S	14	status of packet 0 buffer 0: packet 0 selected by DGT not received 1: packet 0 received
208	C1L	0–3	coding law of sound signal selected by C1A coding law of sound signal selected by C2A coding law of sound signal selected by C3A coding law of sound signal selected by C4A L = 0: companded law 1: linear law H = 0: first level protection 1: second level protection HQ = 0: medium quality sound 1: high quality sound S = 0: monophonic sound 1: stereophonic sound
	C2L	4–7	
	C3L	8–11	
	C4L	12–15	

8.4. DRAM Memory Map

8.4.1. Mode Register

Name	Address	Function
mode_register	0000	6*8 bit
access_mode	0000	8 bit bit 0: video cond. access (0 = free / 1 = conditional) bit 1: data1 cond. access (0 = free / 1 = conditional) bit 2: data2 cond. access (0 = free / 1 = conditional) bit 3: data3 cond. access (0 = free / 1 = conditional) bit 4: data4 cond. access (0 = free / 1 = conditional) bit 5: not used bit 6: not used bit 7: not used
video_mode	0008	8 bit bit 0: peaking select (0 = low / 1 = high) bit 1: peaking (1 = on) bit 2: baseband filter (1 = on) bit 3: interpol. filter (1 = on) bit 4: load coeff (1 = now) bit 5: black out (1 = on) bit 6: gray decoder (1 = on) bit 7: line delay (1 = off)
scram_mode	0010	8 bit bit 0: video descrambling (0 = on) bit 1: video rotation (0 = double / 1 = single) bit 2: aspect ratio (0 = 4:3 / 1 = 16:9) bit 3: vbi descrambling (1 = on) bit 4: coeff clock (1 = on) bit 5: not used bit 6: not used bit 7: user panning (1 = on)
mac_mode	0018	8 bit bit 3–0: clamp position bit 4: clamp bypass (1 = on) bit 5: freq select (0 = 50 Hz / 1 = 60 Hz) bit 6: decoder sync (1 = locked) bit 7: mac select (0 = d2 / 1 = d)
pan_vector	0020	8 bit bit 7–0: user pan vector (2's complement)
pan_output	0028	8 bit bit 7–0: pan vector output (2's complement)

DMA 2275, DMA 2286

Mode Register

address	bit							
	7	6	5	4	3	2	1	0
0000H	Access_mode < 7-0 >							
0008H	Video_mode < 7-0 >							
0010H	Scram_mode < 7-0 >							
0018H	Mac_mode < 7-0 >							
0020H	Pan_vector < 7-0 >							
0028H	Pan_output < 7-0 >							

8.4.2. Pac1 Register

Name	Address	Function
pac1_register	0100	12*8 bit
spa_reg	0100	4*2*8 bit bit 9-0: packet address
sps_reg	0140	4*8 bit bit 0: packet descrambling (1 = on) bit 2,1: packet location (01 = 1st subframe) (10 = 2nd subframe) (00 = both subframes) (11 = both subframes) bit 3: packet remove (1 = on) bit 4: automode (1 = on)

SPA Register

address	bit							
	7	6	5	4	3	2	1	0
0100H	SPA1 < 7-0 >							
0108H							SPA1 < 9, 8 >	
0110H	SPA2 < 7-0 >							
0118H							SPA2 < 9, 8 >	
0120H	SPA3 < 7-0 >							
0128H							SPA3 < 9, 8 >	
0130H	SPA4 < 7-0 >							
0138H							SPA4 < 9, 8 >	

SPS Register

address	bit							
	7	6	5	4	3	2	1	0
0140H					SPS1 < 4-0 >			
0148H					SPS2 < 4-0 >			
0150H					SPS3 < 4-0 >			
0158H					SPS4 < 4-0 >			

8.4.3. Pac2 Register

Name	Address	Function
pac2_register	0160	72*8 bit
pab_reg	0160	8*8 bit bit 9–0: packet address bit 10,11: continuity index
pae_reg	01e0	8*8 bit bit 35–0: packet address extension
psc_reg	0320	8*8 bit bit 0: packet acquisition (1 = 0) bit 2,1: packet location (01 = 1st subframe) (10 = 2nd subframe) (00 = both subframes) (11 = both subframes) bit 3: cont. index select (1 = on) bit 6–4: packet type select (000 = ignore packet type) (001 = select F8 or 00) (010 = select C7 or 3F) (110 = select F8) (101 = select C7) (100 = select 00) (111 = select 3F) bit 8,7: packet protection (00 = not protected) (01 = 8 byte Hamming [8,4]) (10 = full Hamming [8,4]) (11 = Golay [24,12]) bit 11–9: packet addr. extens. (000 = ignore pack. extension) (001 = select 1lsb of CI) (010 = select 4bit of TG) (011 = select 7msb of CI) (100 = select 8bit of CI) (101 = select 12 bit of CCA) (110 = select 24bit of SCA) (111 = select 36bit of UCA) bit 13,12: packet link (00 = no packet link) (01 = link by PT) (10 = link by CI) (11 = not defined) bit 14: pae select (0 = in every packet) (1 = in sync packet only)

DMA 2275, DMA 2286

PAB Register

address	bit							
	7	6	5	4	3	2	1	0
0160H	PAB1 < 7-0 >							
0168H					PAB1 < 11-8 >			
0170H	PAB2 < 7-0 >							
0178H					PAB2 < 11-8 >			
0180H-01d8H	PAB3 - PAB8							

PAE Register

address	bit							
	7	6	5	4	3	2	1	0
01e0H	PAE1 < 7-0 >							
01e8H	PAE1 < 15-8 >							
01f0H	PAE1 < 23-16 >							
01f8H	PAE1 < 31-24 >							
0200H					PAE1 < 35-32 >			
0208H-0228H	PAE2 < 35-0 >							
0230H-0250H	PAE3 < 35-0 >							
0258H-0278H	PAE4 < 35-0 >							
0280H-02a0H	PAE5 < 35-0 >							
02a8H-02c8H	PAE6 < 35-0 >							
02d0H-02f0H	PAE7 < 35-0 >							
02f8H-0318H	PAE8 < 35-0 >							

PSC Register

address	bit							
	7	6	5	4	3	2	1	0
0320H	PSC1 < 7-0 >							
0328H		PSC1 < 14-8 >						
0330H	PSC2 < 7-0 >							
0338H		PSC2 < 14-8 >						
0340H-0398H	PSC3 - PSC8							

8.4.4. Coeff Register

Name	Address	Function
coeff_register	0400	16*8 bit
a3_coeff	0400	bit 5–0: 6 bit integer value (5)
a2_coeff	0408	bit 5–0: 6 bit integer value (13)
a1_coeff	0410	bit 5–0: 6 bit integer value (0)
a0_coeff	0418	bit 5–0: 6 bit integer value (1)
b3_coeff	0420	bit 5–0: 6 bit integer value (38)
b2_coeff	0428	bit 5–0: 6 bit integer value (46)
b1_coeff	0430	bit 5–0: 6 bit integer value (0)
b0_coeff	0438	bit 5–0: 6 bit integer value (25)
c3_coeff	0440	bit 5–0: 6 bit integer value (38)
c2_coeff	0448	bit 5–0: 6 bit integer value (25)
c1_coeff	0450	bit 5–0: 6 bit integer value (0)
c0_coeff	0458	bit 5–0: 6 bit integer value (46)
d3_coeff	0460	bit 5–0: 6 bit integer value (5)
d2_coeff	0468	bit 5–0: 6 bit integer value (1)
d1_coeff	0470	bit 5–0: 6 bit integer value (0)
d0_coeff	0478	bit 5–0: 6 bit integer value (13)

Coeff Register

address	bit							
	7	6	5	4	3	2	1	0
0400H								A3_coeff < 5–0 >
0408H								A2_coeff < 5–0 >
0410H								A1_coeff < 5–0 >
0418H								A0_coeff < 5–0 >
0420H								B3_coeff < 5–0 >
0428H								B2_coeff < 5–0 >
0430H								B1_coeff < 5–0 >
0438H								B0_coeff < 5–0 >
0440H								C3_coeff < 5–0 >
0448H								C2_coeff < 5–0 >
0450H								C1_coeff < 5–0 >
0458H								C0_coeff < 5–0 >
0460H								D3_coeff < 5–0 >
0468H								D2_coeff < 5–0 >
0470H								D1_coeff < 5–0 >
0478H								D0_coeff < 5–0 >

DMA 2275, DMA 2286

8.4.5. CW Register

Name	Address	Function
cw_register	0600	96*8 bit
lcw_even	0600	8*8 bit local control word
lcw_odd	0640	8*8 bit local control word
vcw_even	0680	8*8 bit video control word
vcw_odd	06c0	8*8 bit video control word
dcw1_even	0700	8*8 bit data control word
dcw1_odd	0740	8*8 bit data control word
dcw2_even	0780	8*8 bit data control word
dcw2_odd	07c0	8*8 bit data control word
dcw3_even	0800	8*8 bit data control word
dcw3_odd	0840	8*8 bit data control word
dcw4_even	0880	8*8 bit data control word
dcw4_odd	08c0	8*8 bit data control word

CW Register

address	bit							
	7	6	5	4	3	2	1	0
0600H	LCW_even < 7-0 >							
0608H-0630H	LCW_even < 55-8 >							
0638H					LCW_even < 59-56 >			
0640H	LCW_odd < 7-0 >							
0648H-0670H	LCW_odd < 55-8 >							
0678H					LCW_odd < 59-56 >			
0680H	VCW_even < 7-0 >							
0688H-06b0H	VCW_even < 55-8 >							
06b8H					VCW_even < 59-56 >			
06c0H	VCW_odd < 7-0 >							
06c8H-06f0H	VCW_odd < 55-8 >							
06f8H					VCW_odd < 59-56 >			
0700H-0738H	DCW1_even < 59-0 >							
0740H-0778H	DCW1_odd < 59-0 >							
0780H-07b8H	DCW2_even < 59-0 >							
07c0H-07f8H	DCW2_odd < 59-0 >							
0800H-0838H	DCW3_even < 59-0 >							
0840H-0878H	DCW3_odd < 59-0 >							
0880H-08b8H	DCW4_even < 59-0 >							
08c0H-08f8H	DCW4_odd < 59-0 >							

8.4.6. Error Buffer

Name	Address	Function
error_buffer	0c00	8*16*8 bit
buf1_error	0c00	16*8 bit
buf2_error	0c80	16*8 bit
buf3_error	0d00	16*8 bit
buf4_error	0d80	16*8 bit
buf5_error	0e00	16*8 bit
buf6_error	0e80	16*8 bit
buf7_error	0f00	16*8 bit
buf8_error	0f80	16*8 bit
		bit 5-0: error_num bit 6: crc error bit 7: not defined
		(1 = error)

Error Buffer

address	bit							
	7	6	5	4	3	2	1	0
0c00H	Pack1_error < 7-0 >							
0c08H	Pack2_error < 7-0 >							
0c10H	Pack3_error < 7-0 >							
0c18H	Pack4_error < 7-0 >							
0c20H	Pack5_error < 7-0 >							
0c28H	Pack6_error < 7-0 >							
0c30H	Pack7_error < 7-0 >							
0c38H	Pack8_error < 7-0 >							
0c40H	Pack9_error < 7-0 >							
0c48H	Pack10_error < 7-0 >							
0c50H	Pack11_error < 7-0 >							
0c58H	Pack12_error < 7-0 >							
0c60H	Pack13_error < 7-0 >							
0c68H	Pack14_error < 7-0 >							
0c70H	Pack15_error < 7-0 >							
0c78H	Pack16_error < 7-0 >							
0c80H-0cf8H	Buf2 Error							
0d00H-0fffH	Buf3-8 Error							

DMA 2275, DMA 2286

8.4.7. Packet Buffer

Name	Address	Function
packet_buf	1000	6144*8 bit
packet_buf1	1000	8*96*8 bit
packet_buf2	2800	8*96*8 bit
packet_buf3	4000	8*96*8 bit
packet_buf4	5800	8*96*8 bit
packet_buf5	7000	8*96*8 bit
packet_buf6	8800	8*96*8 bit
packet_buf7	a000	8*96*8 bit
packet_buf8	b800	8*96*8 bit

48 Byte Packet Buffer

address	bit							
	7	6	5	4	3	2	1	0
1000H	PA < 7-0 >							
1008H					CI	PA < 9, 8 >		
1010H	Packet Type							
1018H	Packet Data < 7-0 >							
1020H	Packet Data < 15-8 >							
1028H	Packet Data < 23-16 >							
1030H	Packet Data < 31-24 >							
1038H	Packet Data < 39-32 >							
1040H-1178H	Packet Data < 359-40 >							
1180H	PA < 7-0 >							
1188H					CI	PA < 9, 8 >		
1190H	Packet Type							
1198H	Packet Data < 7-0 >							
11a0H	Packet Data < 15-8 >							
11a8H	Packet Data < 23-16 >							
11b0H	Packet Data < 31-24 >							
11b8H	Packet Data < 39-32 >							
11c0H-12f8H	Packet Data < 359-40 >							
1300H-27f8H	Packet 3-16							

96 Byte Packet Buffer

address	bit							
	7	6	5	4	3	2	1	0
1000H	PA < 7-0 >							
1008H					CI	PA < 9, 8 >		
1010H	Packet Type							
1018H	Packet Data < 7-0 >							
1020H	Packet Data < 15-8 >							
1028H	Packet Data < 23-16 >							
1030H	Packet Data < 31-24 >							
1038H	Packet Data < 39-32 >							
1040H-12e0H	Packet Data < 719-40 >							
12e8H								
12f0H								
12f8H								
1300H	PA < 7-0 >							
1308H					CI	PA < 9, 8 >		
1310H	Packet Type							
1318H	Packet Data < 7-0 >							
1320H	Packet Data < 15-8 >							
1328H	Packet Data < 23-16 >							
1330H	Packet Data < 31-24 >							
1338H	Packet Data < 39-32 >							
1340H-15e0H	Packet Data < 719-40 >							
15e8H								
15f0H								
15f8H								
1600H-27f8H	Packet 3-8							

DMA 2275, DMA 2286

8.4.8. Line 625 Buffer

Name	Address	Function
line_625_buf	d000	28*8 bit

Line 625 Buffer

address	bit							
	7	6	5	4	3	2	1	0
d000H								
d008H								
d010H	UDT							
d018H	CHID < 7-0 >							
d020H	CHID < 15-8 >							
d028H	SDFSCR							
d030H	MVSCG							
d038H	CAFCNT < 7-0 >							
d040H	CAFCNT < 15-8 >							
d048H								
d050H	Unallocated							
d058H	BCH < 7-0 >							
d060H	SDF _Err		BCH < 13-8 >					
d068H								
d070H								
d078H	UDF							
d080H	TDMCID							
d088H	TDMS < 7-0 >							
d090H	TDMS < 15-8 >							
d098H	TDMS < 23-16 >							
d0a0H	TDMS < 31-24 >							
d0a8H	TDMS < 39-32 >							
d0b0H	TDMS < 47-40 >							
d0b8H	TDMS < 55-48 >							
d0c0H		LINKS	TDMS < 61-56 >					
d0c8H								
d0d0H								
d0d8H	TDM _Err		BCH < 13-8 >					

8.4.9. Scratch Buffer

Name	Address	Function
scratch_buf	e000	1024*8 bit

8.5. FP Memory Map

Name	Address	Function
frame_count	019	12 bit fcnt flywheel
line_count	020	12 bit line counter
chroma_offset	033	12 bit 2's complement
luma_offset	034	12 bit 2's complement
pan_fifo	036 037 038 039 040 041 042	8 bit 2's complement (fifo output) 8 bit 2's complement 8 bit 2's complement 8 bit 2's complement 8 bit 2's complement 8 bit 2's complement 8 bit 2's complement (fifo input)
packet_count	091	12 bit packet counter
buf1_status buf2_status buf3_status buf4_status buf5_status buf6_status buf7_status buf8_status	248 249 250 251 252 253 254 255	12 bit 12 bit 12 bit 12 bit 12 bit 12 bit 12 bit 12 bit bit 4–0: buffer pointer bit 5: buffer appl. (0 = standard/1 = ring) bit 6: buffer inc. (0 = 96 byte/1 = 48 byte) bit 7: buffer enable (0 = close/1 = open) bit 8: link status (1 = active) bit 11–9: not used

DMA 2275, DMA 2286

FP Memory

address	bit											
	11	10	9	8	7	6	5	4	3	2	1	0
19												
	Frame_count											
20	Line_count											
33												
	Chroma_offset											
34	Luma_offset											
36-42												
							Pan_fifo					
91												
	Packet_count											
248												
							Buf1_status < 8-0 >					
249							Buf2_status < 8-0 >					
250							Buf3_status < 8-0 >					
251							Buf4_status < 8-0 >					
252							Buf5_status < 8-0 >					
253							Buf6_status < 8-0 >					
254							Buf7_status < 8-0 >					
255							Buf8_status < 8-0 >					

9. Specifications

9.1. Outline Dimensions

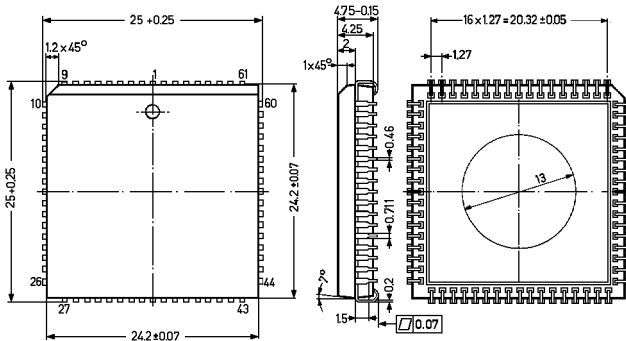


Fig. 9–1: DMA 2275/2286 in 68–pin PLCC package

Weight approx. 4.5 g, Dimensions in mm

9.2. Pin Connections

Pin Nr.	Signal Name DMA 2275	Signal Name DMA 2286	I/O	Symbol
1	Leave Vacant	Sound RAM Data	Input/Output	SDIO
2	Leave Vacant	Sound RAM Address A0	Output	SA0
3	Leave Vacant	Sound RAM Address A1	Output	SA1
4	Leave Vacant	Sound RAM Address A2	Output	SA2
5	Leave Vacant	Sound RAM Address A3	Output	SA3
6	Leave Vacant	Sound RAM Address A4	Output	SA4
7	Leave Vacant	Sound RAM Read/ $\overline{\text{Write}}$	Output	SR/ $\overline{\text{W}}$
8	Leave Vacant	Sound RAM $\overline{\text{RAS}}$	Output	SR $\overline{\text{AS}}$
9	Leave Vacant	Sound RAM Address A5	Output	SA5
10	Leave Vacant	Sound RAM Address A6	Output	SA6
11	Leave Vacant	Sound RAM Address A7	Output	SA7
12	IM Bus Clock		Input	IMC
13	IM Bus Ident		Input	IMI
14	IM Bus Data		Input/Output	IMD
15	Reset		Input	$\overline{\text{RES}}$
16	Φ M Main Clock		Input	MCLK
17	Burst Sync		Input	BSYNC
18	Leave Vacant			

DMA 2275, DMA 2286

Pin Connections, continued

Pin Nr.	Signal Name DMA 2275	Signal Name DMA 2286	I/O	Symbol
19	Burst Data		Input	BDAT
20	VBI Data		Output	VBIDAT
21	Corrected Packet Data		Output	CPDAT
22	Packet Data		Input	PDAT
23	Descrambled Packet Data		Output	DPDAT
24	Baseband B0		Output	BO0
25	Baseband B1		Output	BO1
26	Baseband B2		Output	BO2
27	Baseband B3		Output	BO3
28	Baseband B4		Output	BO4
29	Baseband B5		Output	BO5
30	Baseband B6		Output	BO6
31	Baseband B7		Output	BO7
32	Ground		Supply	GND
33	Ground		Test Output	GND
34	Ground		Test Output	GND
35	Ground		Test Input	GND
36	Ground		Test Input	GND
37	Leave Vacant			
38	Supply Voltage, +5 V		Supply	VSUP
39	Baseband B7		Input	BI7
40	Baseband B6		Input	BI6
41	Baseband B5		Input	BI5
42	Baseband B4		Input	BI4
43	Baseband B3		Input	BI3
44	Baseband B2		Input	BI2
45	Baseband B1		Input	BI1
46	Baseband B0		Input	BI0
47	IM Bus Busy		Output	IMBUS
48	Ground		Test Input	GND
49	Acq. RAM \overline{CAS}		Output	\overline{ACAS}

Pin Connections, continued

Pin Nr.	Signal Name DMA 2275	Signal Name DMA 2286	I/O	Symbol
50	Acq. RAM Data		Output	ADIO
51	Acq. RAM Address A0		Output	AA0
52	Acq. RAM Address A1		Output	AA1
53	Acq. RAM Address A2		Output	AA2
54	Acq. RAM Address A3		Output	AA3
55	Acq. RAM Address A4		Output	AA4
56	Acq. RAM Read/ $\overline{\text{Write}}$		Output	AR/ $\overline{\text{W}}$
57	Acq. RAM $\overline{\text{RAS}}$		Output	$\overline{\text{ARAS}}$
58	Acq. RAM Address A5		Output	AA5
59	Acq. RAM Address A6		Output	AA6
60	Acq. RAM Address A7		Output	AA7
61	Ground		Supply	GND
62	Ground		Test Input	GND
63	Supply Voltage, +5 V		Supply	VSUP
64	Leave Vacant	S_Bus Ident	Input	SBI
65	Leave Vacant	Audio Clock	Input	ACLK
66	Leave Vacant	S_Bus Data	Output	SBD
67	Leave Vacant			
68	Leave Vacant	Sound RAM $\overline{\text{CAS}}$	Output	$\overline{\text{SCAS}}$

Note: Symbols for pin numbers 1 to 11, 64 to 66 and 68 are valid only for DMA 2286.

DMA 2275, DMA 2286

9.3. Pin Configuration

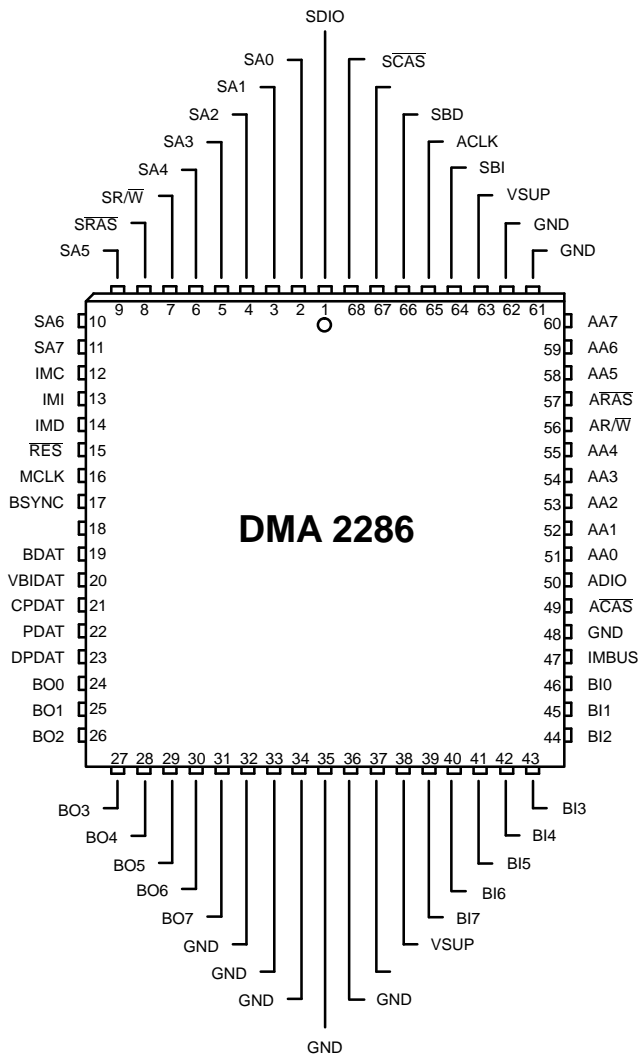


Fig. 9–2: DMA 2286 in 68–pin PLCC package

9.4. Pin Descriptions

Pin 1 – Sound RAM Data Input/Output (Fig. 9–8)
Pin 1 serves as output for writing sound data into the external sound RAM and as input for reading sound data from that RAM.

Pins 2 to 6 and 9 to 11 – Sound RAM Address A0 to A7 Output (Fig. 9–11)
These pins are used for addressing the external sound RAM.

Pin 7 – Sound RAM Read/Write Output (Fig. 9–11)
By means of this output the external sound RAM is switched to the read or write mode as required.

Pin 8 – Sound RAM Row Address Select Output (Fig. 9–11)
This pin supplies the Row Address Select signal (RAS) to the external sound RAM.

Pins 12, 13 and 14 – IM Bus Connection (Figs. 9–3 and 9–7)
These pins connect the DMA 2275/2286 to the IM bus. Via the IM bus the DMA 2275/2286 communicates with the CCU Central Control Unit.

Pin 15 – Reset Input (Fig. 9–6)
Pin 15 is used for hardware reset. Reset is actuated at Low level, and at High level the DAM 2275/2286 is ready for operation.

Pin 16 – Φ M Main Clock Input (Fig. 9–5)
By means of this input, the DMA 2275/2286 receives the required main clock signal of 20.25 MHz from the MCU 2600 Clock Generator IC.

Pin 17 – Burst Sync Input (Fig. 9–3)
By means of this input, the DMA 2275/2286 receives the required burst sync pulse from the DMA 2271/2281. This sync pulse is used both as line sync and frame sync.

Pin 19 – Burst Data Input (Fig. 9–3)
By means of this input, the DMA 2275/2286 receives the decoded burst data of each line from the DMA 2271/2281.

Pin 20 – VBI Data Output (Fig. 9–11)
This pin supplies the descrambled burst data of each line. This signal may serve as an input signal for the TPU 2735 Teletext Processor.

Pin 21 – Corrected Packet Data Output (Fig. 9–11)
This pin supplies descrambled and error corrected packets from two subframes required by external teletext or other data processors.

Pin 22 – Packet Data Input (Fig. 9–3)
Via this pin, the DMA 2275/2286 receives packets of one subframe from pin 55 of the DMA 2271/2281. These packets are already de-interleaved, with golay-corrected header and error-corrected PT byte.

Pin 23 – Descrambled Packet Data Output (Fig. 9–11)
This pin supplies descrambled sound packets from one subframe to pin 56 of the DMA 2271/2281.

Pins 24 to 31 – Baseband B0 to B7 Output (Fig. 9–11)
Via these pins, the DMA 2275/2286 delivers the digital baseband signal including the descrambled video signal to the DMA 2271/2281, where it is decoded into luma, chroma and sound signals.

Pins 32 to 26 and 48, 61 and 62 – Ground
These pins must be connected to the negative (ground) of the supply voltage.

Pins 38 and 63 – Supply Voltage

These pins must be connected to the positive supply voltage.

Pins 39 to 46 – Baseband B7 to B0 Input (Fig. 9–4)

Via these pins, the DMA 2275/2286 receives the digitized baseband signal coming either from the VCU 2133 Video Codec in a 7-bit parallel Gray code or from any other A/D converter in 8-bit parallel binary code.

Pin 47 – IM Bus Busy Output (Fig. 9–11)

This pin supplies a signal which indicates that the IM bus interface of the DMA 2275/2286 is busy. As long as this pin delivers a High level signal there should be no IM bus transfer to or from the DMA 2275/2286.

Pin 49 – Acq. RAM Column Address Select Output (Fig. 9–10)

This pin supplies the Column Address select signal (CAS) to the external acquisition RAM.

Pin 50 – Acq. RAM Data Input/Output (Fig. 9–8)

Pin 50 serves as output for writing data into the external acquisition RAM and as input for reading data from that RAM.

Pins 51 to 55 and 58 to 60 – Acq. RAM Address A0 to A7 Output (Fig. 9–10)

These pins are used for addressing the external acquisition RAM.

Pin 56 – Acq. RAM Read/Write Output (Fig. 9–10)

By means of this output the external acquisition RAM is switched to the read or write mode as required.

Pin 57 – Acq. RAM Row Address Select Output (Fig. 9–10)

This pin supplies the Row Address Select signal (RAS) to the external acquisition RAM.

Pin 64 – S Bus Ident Input (Fig. 9–3)

Via this input, the DMA 2286 receives the ident signal of the serial 3-line S bus from the DMA 2281.

Pin 65 – Audio Clock Input (Fig. 9–5)

By means of this input, the DMA 2286 receives the required audio clock signal of 18.432 MHz from the DMA 2281.

Pin 66 – S Bus Data Output (Fig. 9–9)

This pin supplies the digital sound signal to the AMU 2481 Audio Mixer and can be connected to the S Bus Data output of the DMA 2281. Only one S Bus Data output should be activated for one S Bus sound channel.

Pin 68 – Sound RAM Column Address Select Output (Fig. 9–11)

This pin supplies the Column Address Select signal (CAS) to the external sound RAM.

9.5. Pin Circuits

The following figures schematically show the circuitry at the various pins. The integrated protection structures are not shown. The letter “P” means P-channel, the letter “N” N-channel.

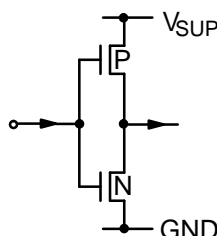


Fig. 9–3:
Input Pins 12, 13, 17, 19,
22 and 64

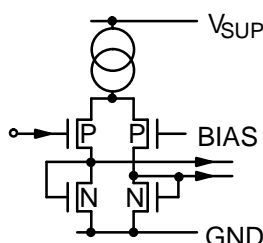


Fig. 9–4:
Input Pins 39 to 46

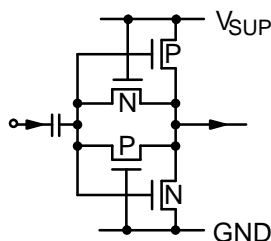


Fig. 9–5:
Input Pins 16 and 65

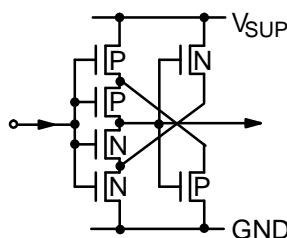


Fig. 9–6:
Input Pin 15

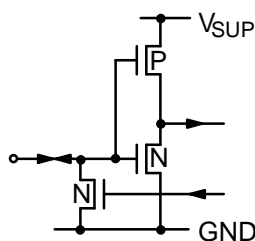


Fig. 9–7:
Input/Output Pin 14

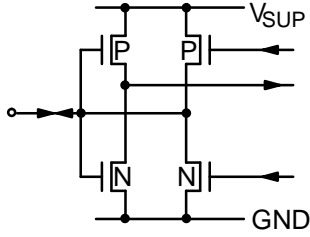


Fig. 9-8:
Input/Output Pins
1 and 50

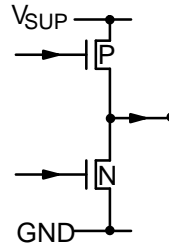


Fig. 9-10:
Output Pins 49, 51 to 60

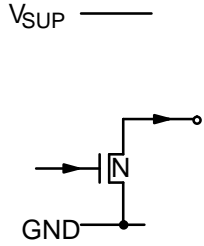


Fig. 9-9:
Output Pin 66

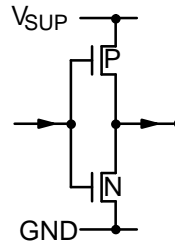


Fig. 9-11:
Output Pins 2 to 11, 20,
21, 23 to 31, 47 and 68

9.6. Electrical Characteristics

All voltages are referred to ground.

9.6.1. Absolute Maximum Ratings

Symbol	Parameter	Pin No.	Min.	Max.	Unit
T_A	Ambient Operating Temperature	–	0	65	°C
T_S	Storage Temperature	–	–40	+125	°C
V_{SUP}	Supply Voltage	38, 63	–	6	V
V_I	Input Voltage, all Inputs	–	–0.3 V	V_{SUP}	–
V_O	Output Voltage, all Outputs	–	–0.3 V	V_{SUP}	–
I_O	Output Current, all Outputs	–	–10	+10	mA

9.6.2. Recommended Operating Conditions

Symbol	Parameter	Pin No.	Min.	Typ.	Max.	Unit
T_A	Ambient Operating Temperature	–	0	–	65	°C
V_{SUP}	Supply Voltage	38, 63	4.75	5.0	5.25	V
V_{IMIL}	IM Bus Input Low Voltage	12 to 14	–	–	0.8	V
V_{IMIH}	IM Bus Input High Voltage		2.0	–	–	V
R_{ext}	External Pull-Up Resistor		1.0	–	–	k Ω
$f_{\Phi I}$	ΦI IM Bus Clock Frequency		0.05	–	1000	kHz
t_{IM1}	ΦI Clock Input Delay Time after IM Bus Ident Input		0	–	–	ns
t_{IM2}	ΦI Clock Input Low Pulse Time		500	–	–	ns
t_{IM3}	ΦI Clock Input High Pulse Time		500	–	–	ns
t_{IM4}	ΦI Clock Input Setup Time before Ident Input High		0	–	–	ns
t_{IM5}	ΦI Clock Input Hold Time after Ident Input High		250	–	–	ns
t_{IM6}	ΦI Clock Input Setup Time before Ident End-Pulse Input		1.0	–	–	μ s
t_{IM7}	IM Bus Data Input Delay Time after ΦI Clock Input	0	–	–	ns	
t_{IM8}	IM Bus Data Input Setup Time before ΦI Clock Input	0	–	–	ns	
t_{IM9}	IM Bus Data Input Hold Time after ΦI Clock Input	0	–	–	ns	
t_{IM10}	IM Bus Ident End-Pulse Low Time	1.0	–	–	μ s	
V_{REIL}	Reset Input Low Voltage	15	–	–	0.8	V
V_{REIH}	Reset Input High Voltage		2.0	–	–	V
t_{REIL}	Reset Input Low Time		2	–	–	μ s
$V_{\Phi MIDC}$	ΦM Clock Input D.C. Voltage	16	1.5	–	3.5	V
$V_{\Phi MIAC}$	ΦM Clock Input A.C. Voltage (p-p)		0.8	–	2.5	V
$\frac{t_{\Phi MIH}}{t_{\Phi MIL}}$	ΦM Clock Input High/Low Ratio		0.9	1.0	1.1	–
$t_{\Phi MIHL}$	ΦM Clock Input High/Low Transition Time		–	–	$\frac{0.15}{f_{\Phi M}}$	s
$f_{\Phi M}$	ΦM Clock Input Frequency		–	20.25	–	MHz

Recommended Operating Conditions, continued

Symbol	Parameter	Pin No.	Min.	Typ.	Max.	Unit
V _{BBIL}	Burst Bus Input Low Voltage	17, 19	–	–	0.8	V
V _{BBIH}	Burst Bus Input High Voltage		2.0	–	–	V
V _{PDIL}	Packet Data Input Low Voltage	22	–	–	0.8	V
V _{PDIH}	Packet Data Input High Voltage		2.0	–	–	V
V _{BIL}	Baseband Input Low Voltage	39 to 46	–	–	2.2	V
V _{BIH}	Baseband Input High Voltage		2.8	–	–	V
t _{BIS}	Baseband Input Setup Time before falling edge of MCLK	39 to 46, 16	15	–	50	ns
t _{BIH}	Baseband Input Hold Time after falling edge of MCLK		0	–	–	ns
V _{SIIL}	S Bus Ident Input Low Voltage	64	–	–	0.4	V
V _{SIIH}	S Bus Ident Input High Voltage		2.0	–	–	V
t _{SIIL}	S Bus Ident Input Low Time		150	–	–	ns
V _{ΦAIDC}	ΦA Clock Input D.C. Voltage	65	1.5	–	3.5	V
V _{ΦAIAC}	ΦA Clock Input A.C. Voltage (p–p)		0.8	–	2.5	V
$\frac{t_{\Phi AH}}{t_{\Phi AL}}$	ΦA Clock Input High/Low Ratio		0.9	1.0	1.1	–
t _{ΦA}	ΦA Clock Input High/Low Transition Time		–	–	$\frac{0.15}{f_{\Phi A}}$	s
f _{ΦA}	ΦA Clock Input Frequency		–	18.432	–	MHz

9.6.3. Characteristics at $T_A = 0$ to 65 °C, $V_{SUP} = 4.75$ to 5.25 V, $f_{\Phi M} = 20.25$ MHz

Symbol	Parameter	Pin No.	Min.	Typ.	Max.	Unit	Test Conditions
I_{SUP}	Supply Current	38, 63	–	120	160	mA	
V_{IMDOL}	IM Bus Data Output Low Voltage	14	–	–	0.4	V	$I_{IMO} = 5$ mA
I_{IMDOH}	IM Bus Data Output High Current		–	–	10	μ A	$V_{IMO} = 5$ V
t_{IM8}	IM Bus Data Output Setup Time before IM Bus Clock Input	14, 12	0	–	500	ns	
t_{IM9}	IM Bus Data Output Hold Time after IM Bus Clock Input		0	–	–	ns	
V_{VDOL}	VBI Data Output Low Voltage	20	–	–	0.4	V	$I_L = 1.6$ mA
V_{VDOH}	VBI Data Output High Voltage		2.4	–	–	V	$-I_L = 0.1$ mA
t_{VDOT}	VBI Data Output Transition Time		–	–	10	ns	$C_L = 10$ pF
t_{VDOD}	VBI Data Output Delay Time after falling edge of MCLK	20, 16	–	0	–	ns	
V_{PDOL}	Packet Data Output Low Voltage	21, 23	–	–	0.4	V	$I_L = 1.6$ mA
V_{PDOH}	Packet Data Output High Voltage		2.4	–	–	V	$-I_L = 0.1$ mA
t_{PDOT}	Packet Data Output Transition Time		–	–	10	ns	$C_L = 10$ pF
t_{PDOD}	Packet Data Output Delay Time after rising edge of MCLK	21, 23, 16	–	0	–	ns	
V_{BOL}	Baseband Output Low Voltage	24 to 31	–	–	0.4	V	$I_L = 1.6$ mA
V_{BOH}	Baseband Output High Voltage		2.4	–	–	V	$I_L = -0.1$ mA
t_{BOT}	Baseband Output Transition Time		–	–	10	ns	$C_L = 10$ pF
t_{BOD}	Baseband Output Delay Time after falling edge of MCLK	24 to 31, 16	–	20	–	ns	
V_{IBOL}	IM Bus Busy Output Low Voltage	47	–	–	0.4	V	$I_L = 1.6$ mA
V_{IBOH}	IM Bus Busy Output High Voltage		2.4	–	–	V	$-I_L = 0.1$ mA
t_{IBOT}	IM Bus Busy Output Transition Time		–	–	10	ns	$C_L = 10$ pF
V_{SDOL}	S Bus Data Output Low Voltage	66	–	–	0.3	V	$I_{SO} = 8$ mA
I_{SDOH}	S Bus Data Output High Current		–	–	10	μ A	$V_{SO} = 5$ V
t_{SDOD}	S Bus Data Output Delay Time after falling edge of ACLK	66, 65	–	20	–	ns	

DMA 2275, DMA 2286

9.6.4. Sound DRAM Interface Characteristics at $T_A = 0$ to 65 °C, $V_{SUP} = 4.75$ to 5.25 V, $f_{\Phi A} = 18.432$ MHz

Symbol	Parameter	Pin No.	Min.	Typ.	Max.	Unit	Test Conditions
V_{DIL}	RAM Data Input Low Voltage	1	–	–	0.8	V	$I_{DO} = 1.6$ mA
V_{DIH}	RAM Data Input High Voltage		2.0	–	–	V	
V_{DOL}	RAM Data Output Low Voltage		–	–	0.4	V	
V_{DOH}	RAM Data Output High Voltage		2.4	–	–	V	
t_{DT}	RAM Data Output Transition Time		3	–	10	ns	
t_{DIS}	RAM Data Input Setup Time before \overline{CAS} Output High	1, 8, 68	0	–	75	ns	
t_{DIH}	RAM Data Input Hold Time after \overline{CAS} Output High		0	–	33	ns	
t_{DHR}	RAM Data Output Hold Time after RAS Output Low		140	–	–	ns	
t_{DS}	RAM Data Output Setup Time before \overline{CAS} Output Low		20	–	–	ns	
t_{DH}	RAM Data Output Hold Time after \overline{CAS} Output Low		80	–	–	ns	
V_{AOL}	RAM Address Output Low Voltage	2 to 6, 9 to 11	–	–	0.4	V	$I_{AO} = 1.6$ mA
V_{AOH}	RAM Address Output High Voltage		2.4	–	–	V	$-I_{AO} = 0.1$ mA
t_{AT}	RAM Address Output Transition Time		3	–	10	ns	$C_L = 10$ pF
t_{RAH}	Row Address Output Hold Time after \overline{RAS} Output Low	2 to 6, 9 to 11, 8, 68	22	–	–	ns	
t_{ASR}	Row Address Output Setup Time before \overline{RAS} Output Low		30	–	–	ns	
t_{AR}	Column Address Output Hold Time after \overline{RAS} Output Low		125	–	–	ns	
t_{CAH}	Column Address Output Hold Time after \overline{CAS} Output Low		70	–	–	ns	
t_{ASC}	Column Address Output Setup Time before \overline{CAS} Output Low		10	–	–	ns	
V_{RASOL}	RAS Output Low Voltage	8	–	–	0.4	V	$I_{RASO} = 1.6$ mA
V_{RASOH}	RAS Output High Voltage		2.4	–	–	V	$-I_{RASO} = 0.1$ mA
t_{RAST}	RAS Output Transition Time		3	–	10	ns	$C_L = 10$ pF
t_{RAS}	RAS Output Low Pulsewidth		125	–	3000	ns	
t_{RP}	RAS Output Precharge Time		130	–	–	ns	

Sound DRAM Interface Characteristics, continued

Symbol	Parameter	Pin No.	Min.	Typ.	Max.	Unit	Test Conditions
V _{CASOL}	$\overline{\text{CAS}}$ Output Low Voltage	68	–	–	0.4	V	I _{CASO} = 1.6 mA
V _{CASOH}	$\overline{\text{CAS}}$ Output High Voltage		2.4	–	–	V	–I _{CASO} = 0.1 mA
t _{CAST}	$\overline{\text{CAS}}$ Output Transition Time		3	–	10	ns	C _L = 10 pF
t _{CP}	$\overline{\text{CAS}}$ Output Precharge Time		70	–	–	ns	
t _{CAS}	$\overline{\text{CAS}}$ Output Low Pulsewidth		95	–	150	ns	
t _{PC}	Page Mode Cycle Time		170	–	–	ns	
t _{RSH}	$\overline{\text{RAS}}$ Output Hold Time after $\overline{\text{CAS}}$ Output Low	8, 68	110	–	–	ns	
t _{RCD}	$\overline{\text{CAS}}$ Output Delay Time after $\overline{\text{RAS}}$ Output		45	–	–	ns	
t _{CSH}	$\overline{\text{CAS}}$ Output Hold Time after $\overline{\text{RAS}}$ Output Low		170	–	–	ns	
t _{CRP}	$\overline{\text{CAS}}$ Output Precharge Time before $\overline{\text{RAS}}$ Output Low		150	–	–	ns	
V _{WOL}	$\overline{\text{WRITE}}$ Output Low Voltage	7	–	–	0.4	V	I _{WO} = 1.6 mA
V _{WOH}	$\overline{\text{WRITE}}$ Output High Voltage		2.4	–	–	V	–I _{WO} = 0.1 mA
t _{WT}	$\overline{\text{WRITE}}$ Output Transition Time		3	–	10	ns	C _L = 10 pF
t _{CWL}	$\overline{\text{WRITE}}$ Output Low before $\overline{\text{CAS}}$ Output High	7, 8, 68	180	–	–	ns	
t _{WCH}	$\overline{\text{WRITE}}$ Output Hold Time after $\overline{\text{CAS}}$ Output Low		80	–	–	ns	
t _{RCH}	$\overline{\text{WRITE}}$ Output Hold Time after $\overline{\text{CAS}}$ Output High		50	–	–	ns	
t _{RRH}	$\overline{\text{WRITE}}$ Output Hold Time after $\overline{\text{RAS}}$ Output High		20	–	–	ns	

DMA 2275, DMA 2286

9.6.5. Acquisition DRAM Interface Characteristics at $T_A = 0$ to $65\text{ }^\circ\text{C}$, $V_{SUP} = 4.75$ to 5.25 V , $f_{\Phi M} = 20.25\text{ MHz}$

Symbol	Parameter	Pin No.	Min.	Typ.	Max.	Unit	Test Conditions	
V_{DIL}	RAM Data Input Low Voltage	50	–	–	0.8	V		
V_{DIH}	RAM Data Input High Voltage		2.0	–	–	V		
V_{DOL}	RAM Data Output Low Voltage		–	–	0.4	V		$I_{DO} = 1.6\text{ mA}$
V_{DOH}	RAM Data Output High Voltage		2.4	–	–	V		$-I_{DO} = 0.1\text{ mA}$
t_{DT}	RAM Data Output Transition Time		3	–	10	ns		$C_L = 10\text{ pF}$
t_{DIS}	RAM Data Input Setup Time before \overline{CAS} Output High	50, 49, 57	–	–	50	ns		
t_{DIH}	RAM Data Input Hold Time after \overline{CAS} Output High		25	–	45	ns		
t_{DHR}	RAM Data Output Hold Time after RAS Output Low		250	–	–	ns		
t_{DS}	RAM Data Output Setup Time before \overline{CAS} Output Low		40	–	–	ns		
t_{DH}	RAM Data Output Hold Time after \overline{CAS} Output Low		130	–	–	ns		
V_{AOL}	RAM Address Output Low Voltage	51 to 55, 58 to 60	–	–	0.4	V	$I_{AO} = 1.6\text{ mA}$	
V_{AOH}	RAM Address Output High Voltage		2.4	–	–	V	$-I_{AO} = 0.1\text{ mA}$	
t_{AT}	RAM Address Output Transition Time		3	–	10	ns	$C_L = 10\text{ pF}$	
t_{RAH}	Row Address Output Hold Time after \overline{RAS} Output Low	51 to 55, 58 to 60, 49, 57	60	–	–	ns		
t_{ASR}	Row Address Output Setup Time before \overline{RAS} Output Low		100	–	–	ns		
t_{AR}	Column Address Output Hold Time after \overline{RAS} Output Low		80	–	–	ns		
t_{CAH}	Column Address Output Hold Time after \overline{CAS} Output Low		50	–	–	ns		
t_{ASC}	Column Address Output Setup Time before \overline{CAS} Output Low		20	–	–	ns		
V_{RASOL}	RAS Output Low Voltage	57	–	–	0.4	V	$I_{RASO} = 1.6\text{ mA}$	
V_{RASOH}	RAS Output High Voltage		2.4	–	–	V	$-I_{RASO} = 0.1\text{ mA}$	
t_{RAST}	RAS Output Transition Time		3	–	10	ns	$C_L = 10\text{ pF}$	
t_{RAS}	RAS Output Low Pulsewidth		–	1600	–	ns		
t_{RP}	RAS Output Precharge Time		100	–	–	ns		

Acquisition DRAM Interface Characteristics, continued

Symbol	Parameter	Pin No.	Min.	Typ.	Max.	Unit	Test Conditions
V _{CASOL}	$\overline{\text{CAS}}$ Output Low Voltage	49	–	–	0.4	V	I _{CASO} = 1.6 mA
V _{CASOH}	$\overline{\text{CAS}}$ Output High Voltage		2.4	–	–	V	–I _{CASO} = 0.1 mA
t _{CAST}	$\overline{\text{CAS}}$ Output Transition Time		3	–	10	ns	C _L = 10 pF
t _{CP}	$\overline{\text{CAS}}$ Output Precharge Time		80	–	–	ns	
t _{CAS}	$\overline{\text{CAS}}$ Output Low Pulsewidth		90	–	110	ns	
t _{PC}	Page Mode Cycle Time		200	–	–	ns	
t _{RSH}	$\overline{\text{RAS}}$ Output Hold Time after $\overline{\text{CAS}}$ Output Low	49, 57	75	–	–	ns	
t _{RCD}	$\overline{\text{CAS}}$ Output Delay Time after $\overline{\text{RAS}}$ Output		75	–	–	ns	
t _{CSH}	$\overline{\text{CAS}}$ Output Hold Time after $\overline{\text{RAS}}$ Output Low		170	–	–	ns	
t _{CRP}	$\overline{\text{CAS}}$ Output Precharge Time before $\overline{\text{RAS}}$ Output Low		200	–	–	ns	
V _{WOL}	$\overline{\text{WRITE}}$ Output Low Voltage	56	–	–	0.4	V	I _{WO} = 1.6 mA
V _{WOH}	$\overline{\text{WRITE}}$ Output High Voltage		2.4	–	–	V	–I _{WO} = 0.1 mA
t _{WT}	$\overline{\text{WRITE}}$ Output Transition Time		3	–	10	ns	C _L = 10 pF
t _{CWL}	$\overline{\text{WRITE}}$ Output Low before $\overline{\text{CAS}}$ Output High	56, 49, 57	275	–	–	ns	
t _{WCH}	$\overline{\text{WRITE}}$ Output Hold Time after $\overline{\text{CAS}}$ Output Low		125	–	–	ns	
t _{RCH}	$\overline{\text{WRITE}}$ Output Hold Time after $\overline{\text{CAS}}$ Output High		20	–	–	ns	
t _{RRH}	$\overline{\text{WRITE}}$ Output Hold Time after $\overline{\text{RAS}}$ Output High		25	–	–	ns	

9.6.6. Waveforms

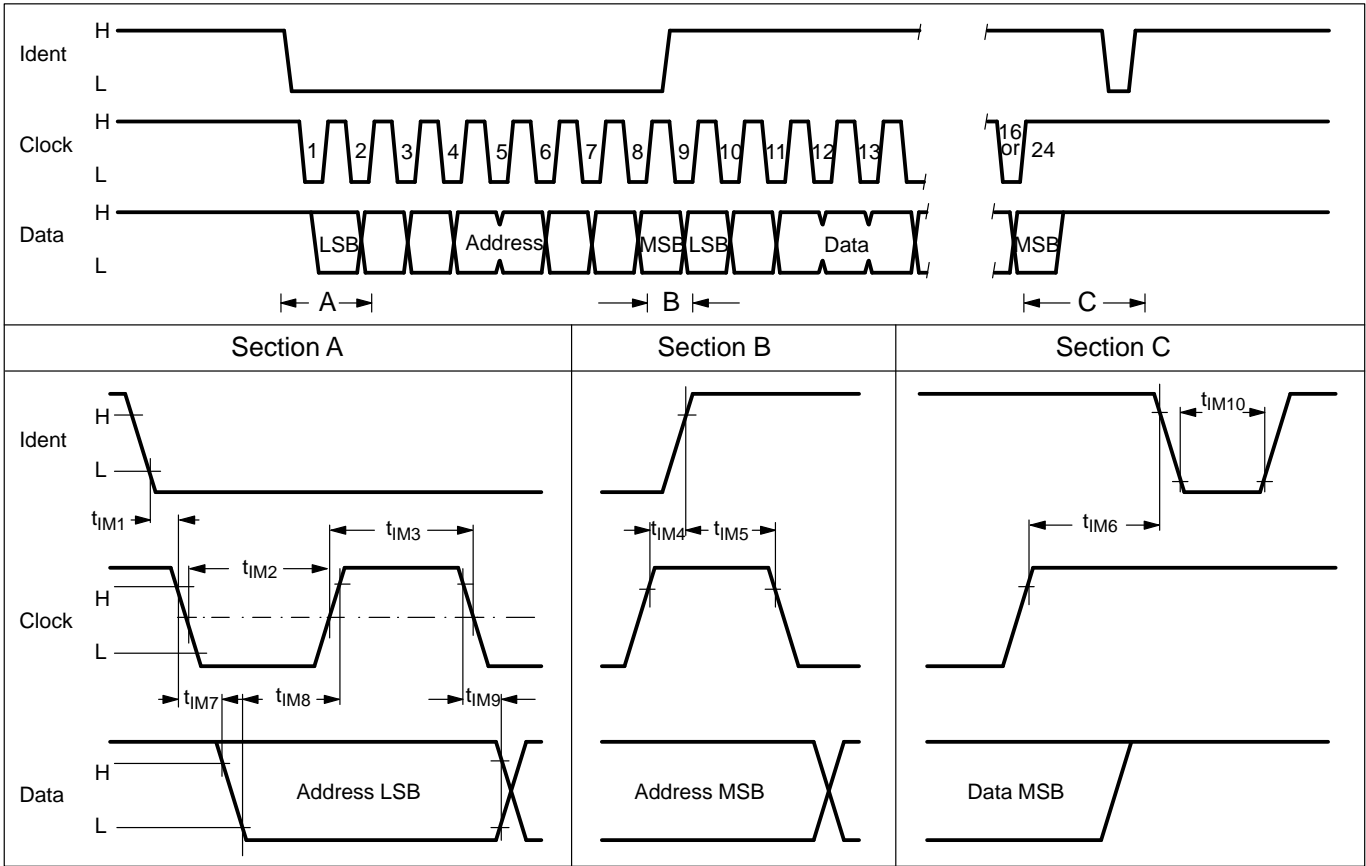


Fig. 9–12: IM bus waveforms

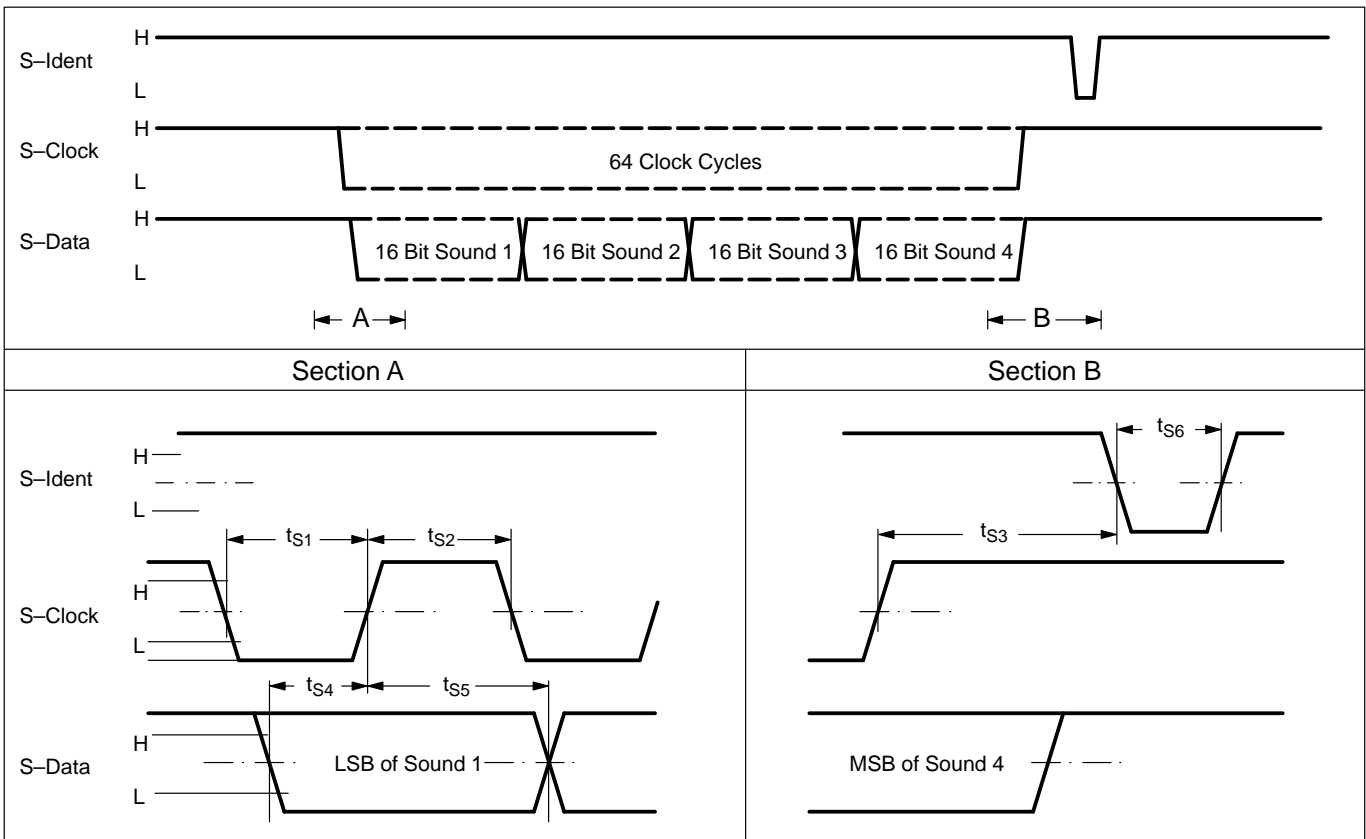


Fig. 9–13: S bus waveforms

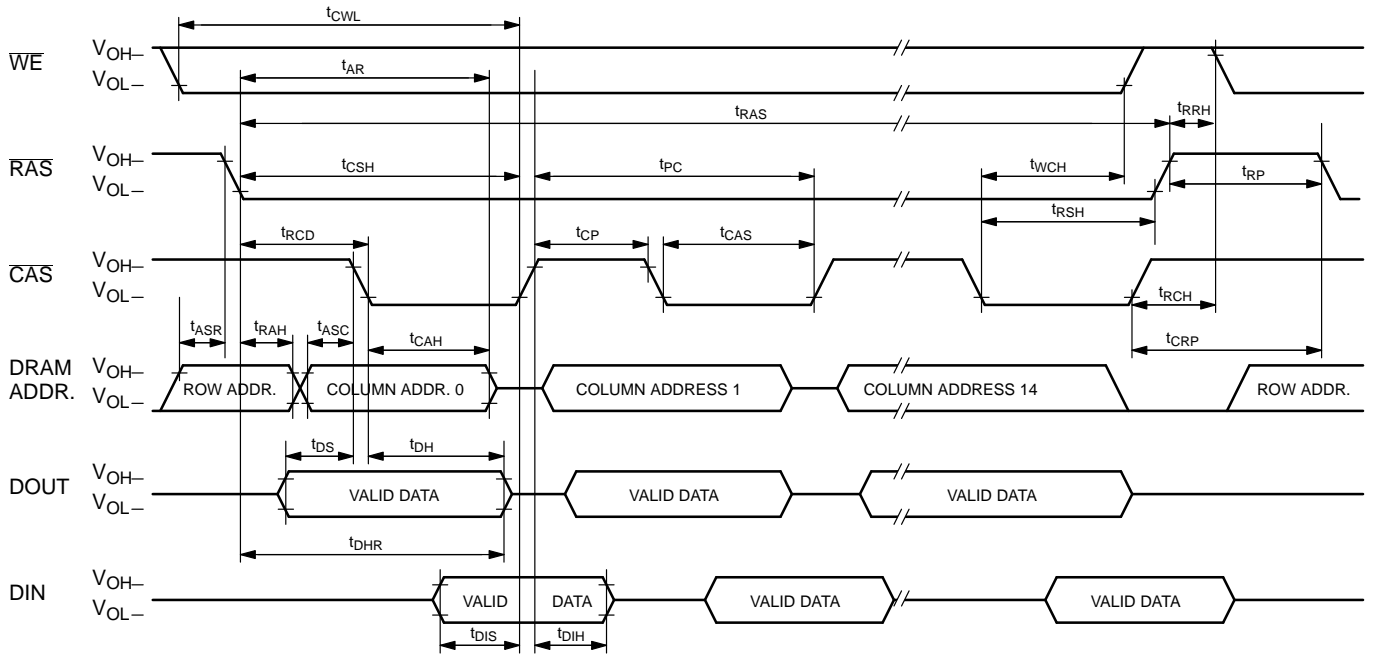


Fig. 9-14: DRAM waveform

10. References

1. Specification of the systems of the MAC/packet family. EBU Technical Document 3258-E, Oct. 1986.
2. Data Sheet
DMA 2271, DMA 2281
C/D/D2-MAC Decoder
ITT Semiconductors

MICRONAS INTERMETALL GmbH
Hans-Bunte-Strasse 19
D-79108 Freiburg (Germany)
P.O. Box 840
D-79008 Freiburg (Germany)
Tel. +49-761-517-0
Fax +49-761-517-2174
E-mail: docservice@intermetall.de
Internet: <http://www.intermetall.de>

Printed in Germany
by Simon Druck GmbH & Co., Freiburg (5/92)
Order No. 6251-330-1E

All information and data contained in this data sheet are without any commitment, are not to be considered as an offer for conclusion of a contract nor shall they be construed as to create any liability. Any new issue of this data sheet invalidates previous issues. Product availability and delivery dates are exclusively subject to our respective order confirmation form; the same applies to orders based on development samples delivered. By this publication, MICRONAS INTERMETALL GmbH does not assume responsibility for patent infringements or other rights of third parties which may result from its use. Reprinting is generally permitted, indicating the source. However, our prior consent must be obtained in all cases.