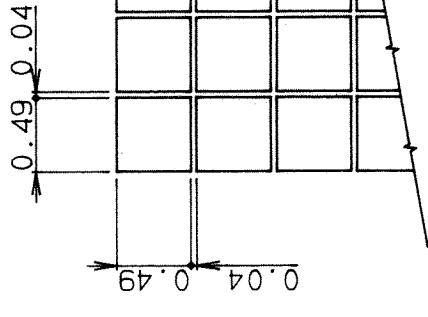
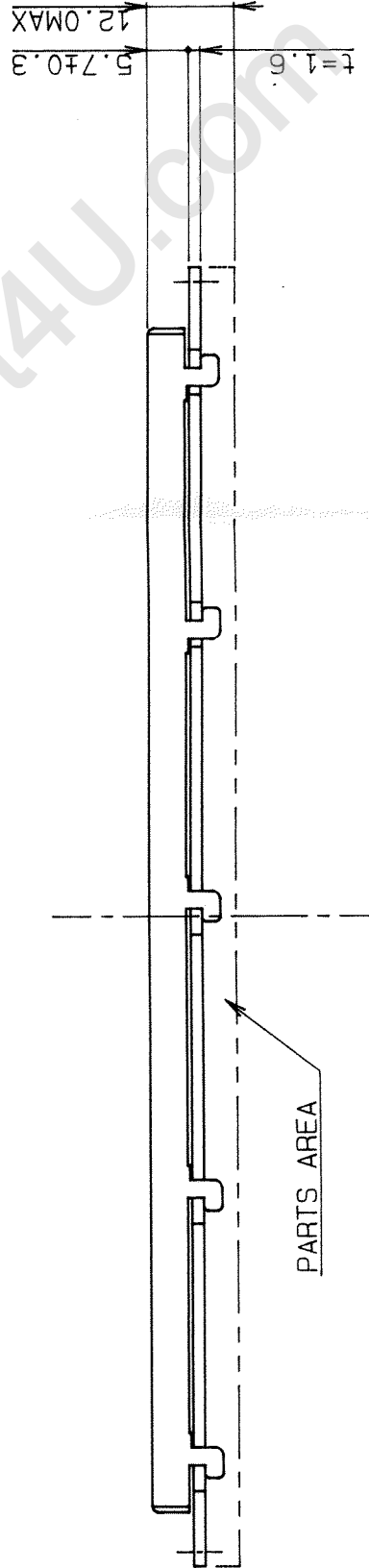
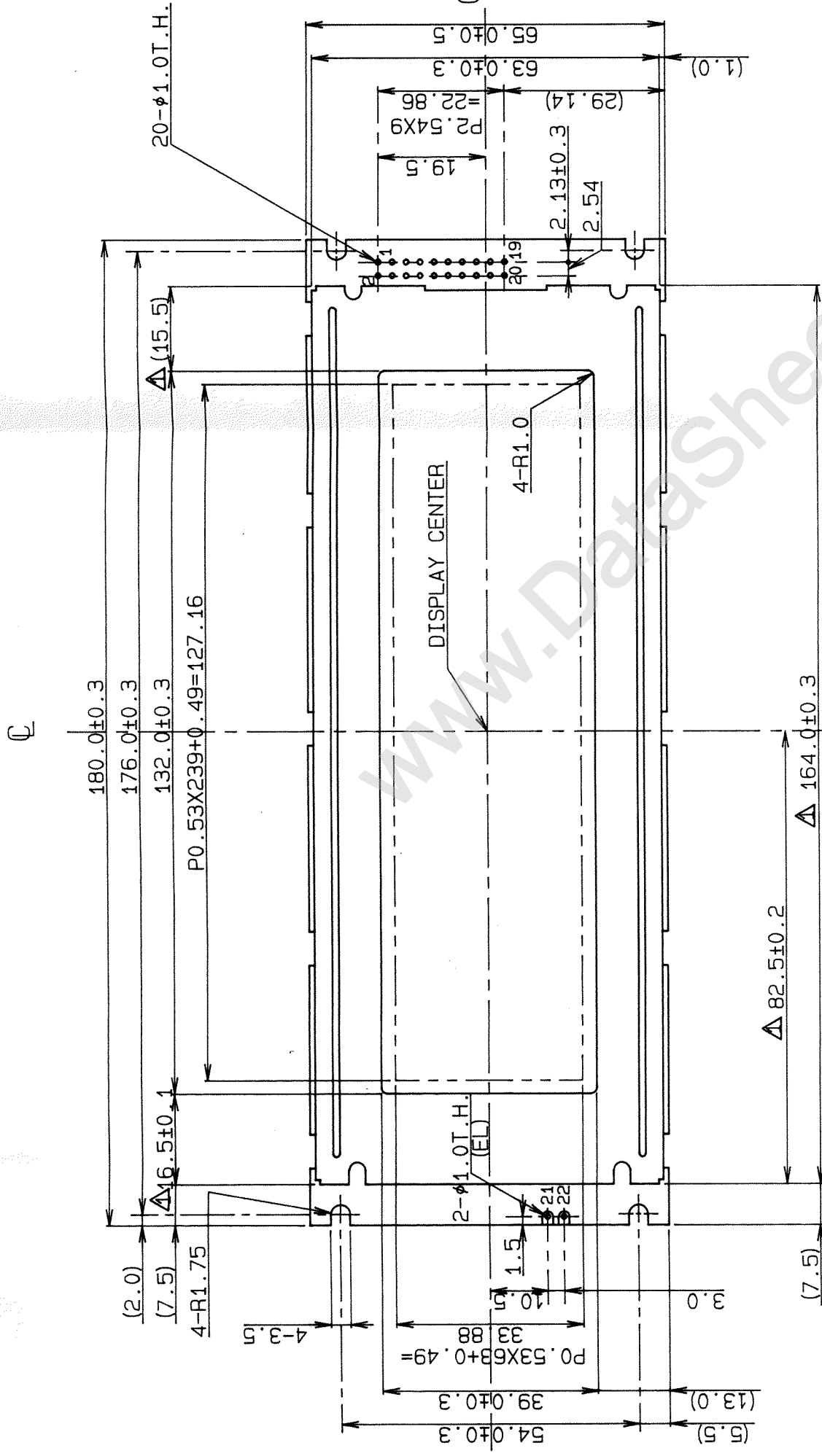


PIN ASSIGNMENT

PIN No.	SYMBOL
1	FG
2	V _{SS}
3	V _{CC}
4	V _{REF}
5	WR
6	RD
7	CE
8	C/D
9	NC
10	RESET
11	D0
12	D1
13	D2
14	D3
15	D4
16	D5
17	D6
18	D7
19	FS
20	NC
21	EL 1)
22	EL 1)

液晶之友 电话: 020-33819057
 Http://www.lcdfriends.com

ISSUED
 '00.9.-4
 OPTREX Corp.



DOT DETAIL (20: 1)

NOTE) 1. USE FOR EL TYPE ONLY.

6	MATERIAL	FINISH	Q'ty	NOTE
5	3rd ANGLE PROJECTION	TOLERANCE CLASS: A	SCALE: 1: 1 (20: 1)	
4	APPROVED JAN 14 '93	MODEL ADMF5005Series		
3	CHECKED JAN 14 '93	TITLE DIMENSIONAL OUTLINE		
2	DESIGNED JAN 14 '93	CODE		
1	Y. YAMAGUCHI			
ISSUE DATE	REVISIONS	NAME		
JAN 14 '93	CHANGE OF MODEL NAME (X1)	Y. Y		
APR 15 '88	ADDITION OF DIMENSION (X4)	S. M		
OPTREX CORPORATION				
DRAWING No. UE-31806B				

TOLERANCE	MEASURE	A	B	C	ANGLE
1s16	±0.1	±0.3	±1		
16<1s63	±0.2	±0.5	±1.5		
63<1s250	±0.3	±0.8	±2		
250<1s500	±0.5	±1.2	±3		
500<1s1000	±0.8	±2	±4	±30'	±1' ±2'