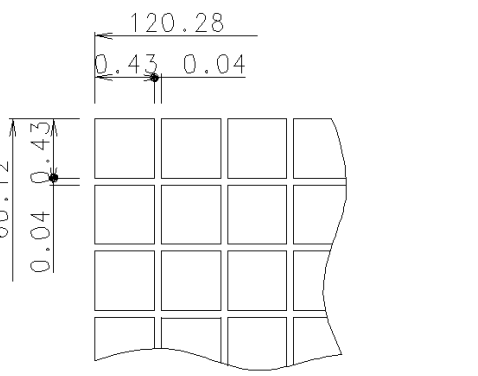


PIN ASSIGNMENT

PIN NO	SYMBOL	NAME
1	VCC	5V
2	VSS	0V
3	VEE	LCD DRV.VOLTAGE
4	LP	LATCH SIGNAL
5	M	ALTERNATE SIGNAL
6	DISP OFF	DISPLAY OFF ("H" ON "L" OFF)
7	NC	NO CONNECT
8	FLM	FRAME SIGNAL
9	CP	DATA SHIFT
10	NC	NO CONNECT
11	D0	DATA
12	D1	DATA
13	D2	DATA
14	D3	DATA
15	FL	CCT
16	FL(GND)	CCT



TOLERANCE			
MEASURE	A	(B)	C
1≤16	±0.1	±0.3	±1
16<1≤63	±0.2	±0.5	±1.5
63<1≤250	±0.3	±0.8	±2
250<1≤500	±0.5	±1.2	±3
500<1≤1000	±0.8	±2	±4
ANGLE			
	±30'	±1'	±2'



6							
5				MATERIAL	FINISH	Q'ty	NOTE
4				3rd ANGLE PROJECTION	TOLERANCE CLASS: B	SCALE: 2/1	
3				APPROVED -----	MODEL	DMF6104NB-FW	
2				CHECKED -----	TITLE	DIMENSIONAL OUTLINE	
1	90.9.14	Change of Symbol	SAKATA	DRAWN -----	CODE		
ISSUE	DATE	REVISIONS	NAME	DESIGNED -----	DRAWING No.	UE-32050A	
OPTREX CORPORATION							