



Low-Cost LED Dimming with Output Capacitor

ON Semiconductor®

<http://onsemi.com>

DESIGN NOTE

Table 1. DEVICE DETAILS

Device	Application	Input Voltage	Topology	I/O Isolation
NSIC2050B, NSI50010Y	AC LED, Dimmable	100–127 Vac	Bridge + CCR and PWM Sensing	No

Circuit Description

This circuit can be thought of as having two separate portions. There is an LED management portion and a dimmer management/PWM Signal portion.

The LED management portion charges the output capacitor to run the LEDs in a “DC” state. The dimmer management portion provides loading current for the TRIAC in a dimmer and provides a gate voltage to the series-pass MOSFET. The gate drive of the series MOSFET PWMs the LEDs at their peak current rating. The NSIC2050B Constant Current Regulators regulate the

current through the LEDs. The NSI50010Y limits the power consumption of the dimmer management circuit.

For optimal performance, the gate voltage of the MOSFET (driven by the voltage divider of the 11 kΩ and 1.5 kΩ resistors) needs to be equal to the threshold voltage when the input voltage to the circuit is at the dimmer’s minimum conduction angle.

Also, some dimmers may require more than 10 mA of loading current, so the NSI50010Y may be replaced with another CCR such as the NSIC2020B (20 mA CCR), though power consumption will increase.

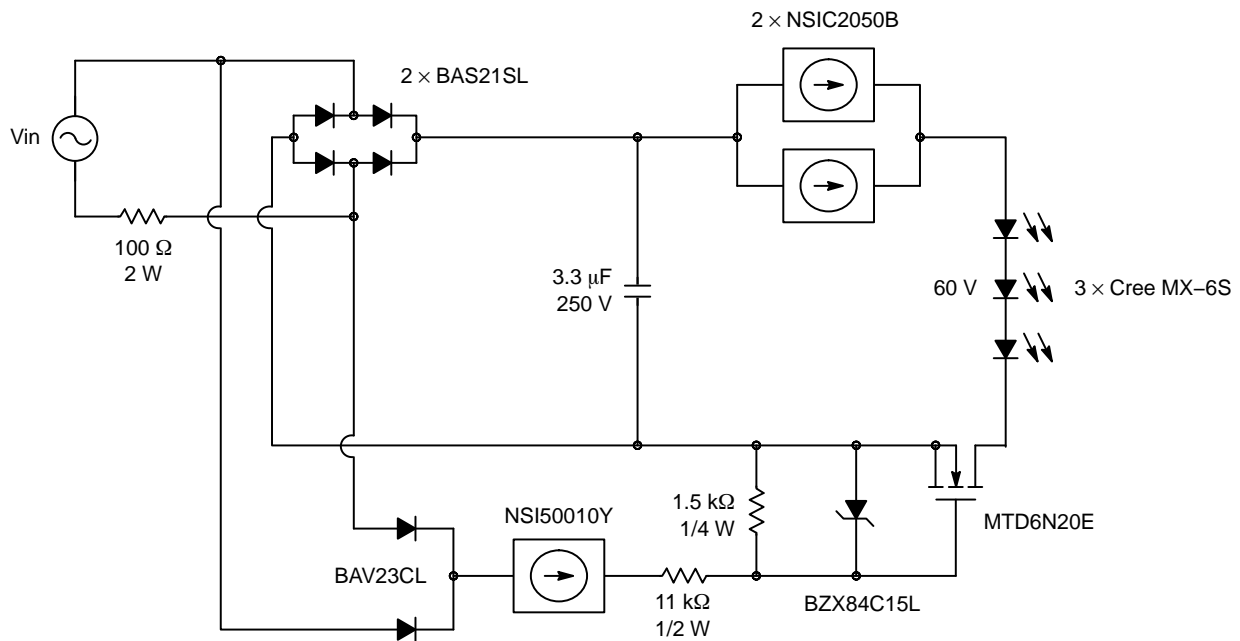


Figure 1. LED Lighting with CCRs, Dimmable Interface

DN05022/D

Key Features

- PF = 0.8
- THD = 53.8%
- High Light Output
- Dimming a Function of the Dimmer's Range
- Low BOM Cost
- Dimmable

Table 2. CIRCUIT DATA

	Circuit Data	
$V_{RMS(IN)}$	100 V_{RMS}	127 V_{RMS}
$I_{RMS(IN)}$	112 mA	118 mA
PF	0.847	0.800
THD	44.2%	53.8%
$P_{(in)}$	9.53 W	12.1 W

Table 3. DIMMERS TESTED

Manufacturer	Serial Number
Lutron	500-15591A
Lutron	TGCL-153PH
Lutron	CTCL-153PDH
Pass & Seymour	450 W – CFL/LED

ON Semiconductor and **ON** are registered trademarks of Semiconductor Components Industries, LLC (SCILLC). SCILLC owns the rights to a number of patents, trademarks, copyrights, trade secrets, and other intellectual property. A listing of SCILLC's product/patent coverage may be accessed at www.onsemi.com/site/pdf/Patent-Marking.pdf. SCILLC reserves the right to make changes without further notice to any products herein. SCILLC makes no warranty, representation or guarantee regarding the suitability of its products for any particular purpose, nor does SCILLC assume any liability arising out of the application or use of any product or circuit, and specifically disclaims any and all liability, including without limitation special, consequential or incidental damages. "Typical" parameters which may be provided in SCILLC data sheets and/or specifications can and do vary in different applications and actual performance may vary over time. All operating parameters, including "Typicals" must be validated for each customer application by customer's technical experts. SCILLC does not convey any license under its patent rights nor the rights of others. SCILLC products are not designed, intended, or authorized for use as components in systems intended for surgical implant into the body, or other applications intended to support or sustain life, or for any other application in which the failure of the SCILLC product could create a situation where personal injury or death may occur. Should Buyer purchase or use SCILLC products for any such unintended or unauthorized application, Buyer shall indemnify and hold SCILLC and its officers, employees, subsidiaries, affiliates, and distributors harmless against all claims, costs, damages, and expenses, and reasonable attorney fees arising out of, directly or indirectly, any claim of personal injury or death associated with such unintended or unauthorized use, even if such claim alleges that SCILLC was negligent regarding the design or manufacture of the part. SCILLC is an Equal Opportunity/Affirmative Action Employer. This literature is subject to all applicable copyright laws and is not for resale in any manner.

PUBLICATION ORDERING INFORMATION

LITERATURE FULFILLMENT:

Literature Distribution Center for ON Semiconductor
P.O. Box 5163, Denver, Colorado 80217 USA
Phone: 303-675-2175 or 800-344-3860 Toll Free USA/Canada
Fax: 303-675-2176 or 800-344-3867 Toll Free USA/Canada
Email: orderlit@onsemi.com

N. American Technical Support: 800-282-9855 Toll Free
USA/Canada
Europe, Middle East and Africa Technical Support:
Phone: 421 33 790 2910
Japan Customer Focus Center
Phone: 81-3-5817-1050

ON Semiconductor Website: www.onsemi.com

Order Literature: <http://www.onsemi.com/orderlit>

For additional information, please contact your local Sales Representative