

DN71

ZXSC400 Solution for Luxeon® V Star high powered LED

Description

This design note shows the ZXSC400 driving a Luxeon® V Star LED. The input voltage ranges from 4.2V to 5.4 V with a maximum output current of 790mA at 5V input.

A typical schematic diagram is shown in Figure 1.

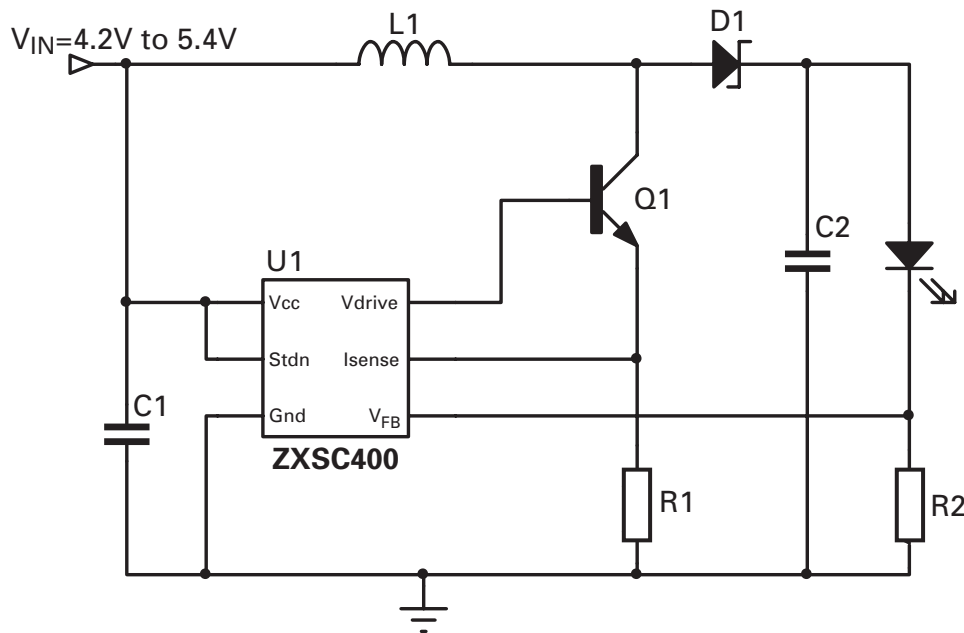


Figure 1 Schematic diagram

Ref.	Value	Part number	Manufacturer	Comments
U1		ZXSC400E6	Zetex	LED driver in SOT23-6
Q1		FZT1049	Zetex	Low sat NPN in SOT23
D1	2A	ZHCS2000	Zetex	2A Schottky in SOT23
L1	22mH	Generic	Generic	$I_{SAT} = 3A$
R1	22mV	Generic	Generic	0805 size
R2	350mV	Generic	Generic	0805 size
C1	220mF	Generic	Generic	
C2	450mF	Generic	Generic	

Table 1 Bill of materials

DN71

Typical operating characteristics

(For typical application circuit where $T_{amb} = 25^{\circ}\text{C}$ unless otherwise stated)

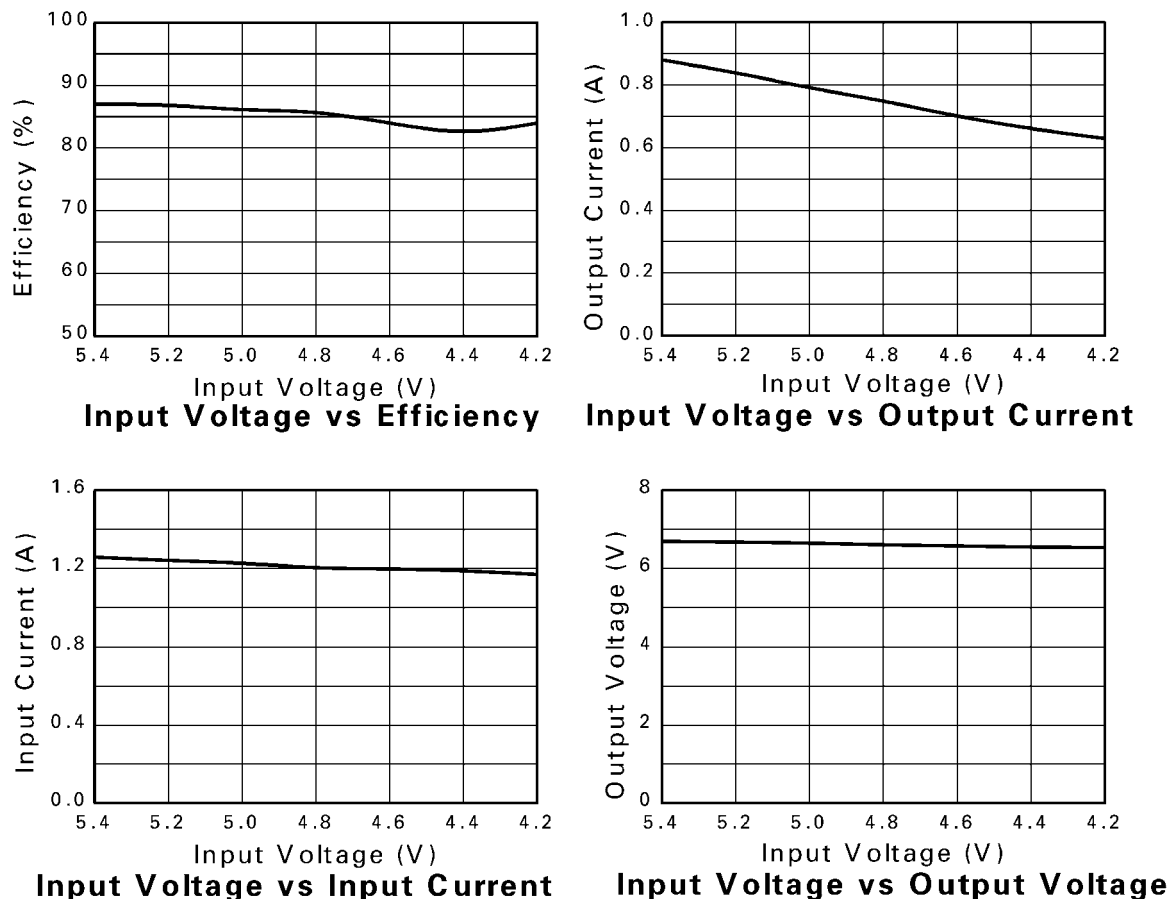


Figure 2 Performance graphs

Europe

Zetex GmbH
Streitfeldstraße 19
D-81673 München
Germany

Telefon: (49) 89 45 49 49 0
Fax: (49) 89 45 49 49 49
europe.sales@zetex.com

Americas

Zetex Inc
700 Veterans Memorial Highway
Hauppauge, NY 11788
USA

Telephone: (1) 631 360 2222
Fax: (1) 631 360 8222
usa.sales@zetex.com

Asia Pacific

Zetex (Asia Ltd)
3701-04 Metroplaza Tower 1
Hing Fong Road, Kwai Fong
Hong Kong

Telephone: (852) 26100 611
Fax: (852) 24250 494
asia.sales@zetex.com

Corporate Headquarters

Zetex Semiconductors plc
Zetex Technology Park, Chadderton
Oldham, OL9 9LL
United Kingdom

Telephone: (44) 161 622 4444
Fax: (44) 161 622 4446
hq@zetex.com

For international sales offices visit www.zetex.com/offices

Zetex products are distributed worldwide. For details, see www.zetex.com/salesnetwork

This publication is issued to provide outline information only which (unless agreed by the company in writing) may not be used, applied or reproduced for any purpose or form part of any order or contact or be regarded as a representation relating to the products or services concerned. The company reserves the right to alter without notice the specification, design, price or conditions of supply of any product or service.