



# Digital Oscillator Controller DO-001S

## General Description

The DO-001S series is Digital Oscillator controller. Built into SOT-26 and USON-6L(T=0.4mm, 1.5\*1.5mm). It can support 2ch 30KHz~200MHz output frequency and no need any addition component.

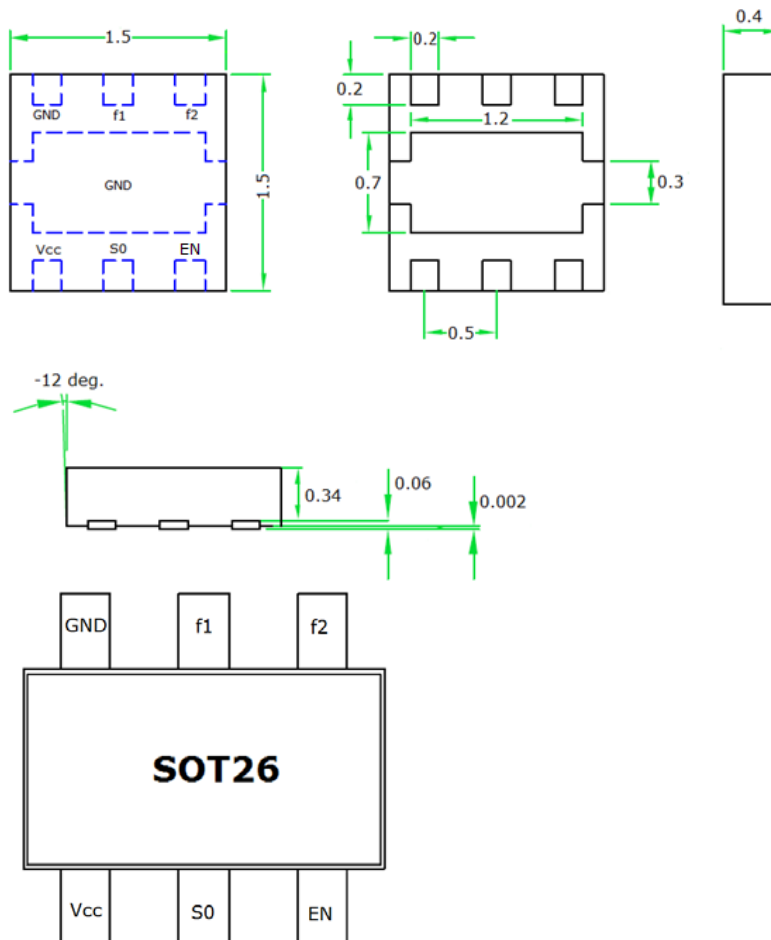
## Features

- Ultra-thin dimension with lowest height (1.5\*1.5\*0.4mm)
- High precision and reliability with excellent heat resistance
- Include Temperature Compensation and Frequency Compensation
- Frequency Tolerance max +/- 10PPM

## Applications

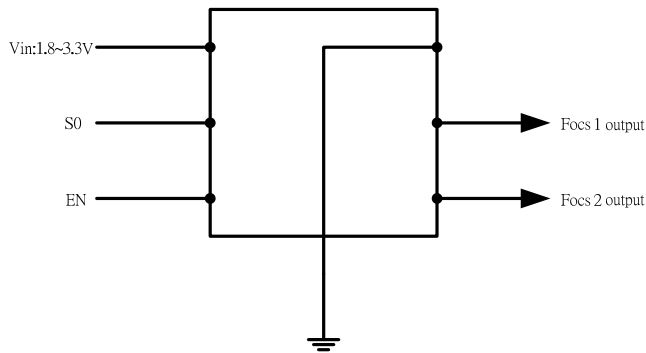
- Mobile communication.
- Short-range wireless module
- Small portable device such as PDA, DSC, DVC, PC
- MP3 Player
- Notebook/Netbook Computer
- PC MainBoard
- Network Systems Power Supplies
- LCD TV/Monitor Systems Power Supplies
- DSL and Cable Modems
- Satellite Set Top Boxes
- Wireless LAN Systems
- Bluetooth Devices
- Electronic

## Pin Configurations



Units: mm

## Typical Application Circuit



S0	fo mode
0	1
1	2

## Electrical Characteristics

Parameter	Symbol	Test Conditions	Min	Typ	Max	Units
Output Frequency	fo	Vcc=1.8~3.3V	0.03		200	MHz
Frequency Stability	Ft	T=-20~85 degree C, Vcc=1.8~3.3V	-10		10	ppm
Operating temperature range	Top		-20		85	°C
Storage Temperature Range	Tst		-20		85	°C
Output "0" leave	VOL	Vcc Max.			30	%
Output "1" leave	VOH	Vcc Min.	70			%
Duty cycles		Adjustable	10		90	%
Current consumption				500	1000	uA
Standby Current	Istd				1	uA
Rise, Fall Time	Tr				2.5	ps