

## FEATURES

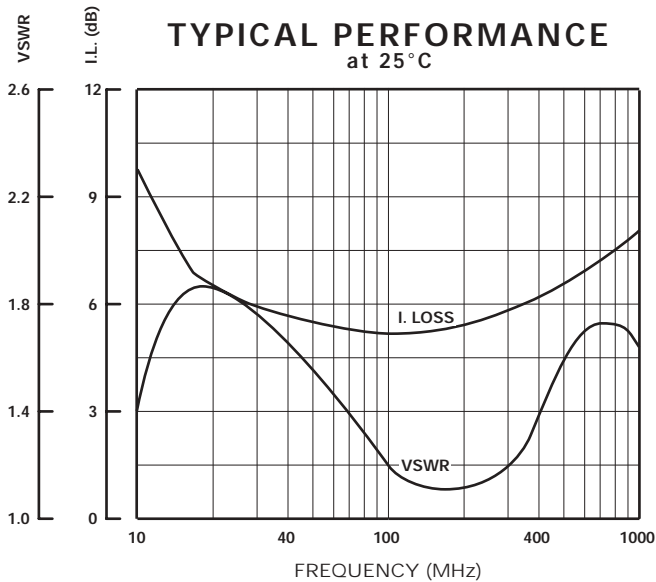
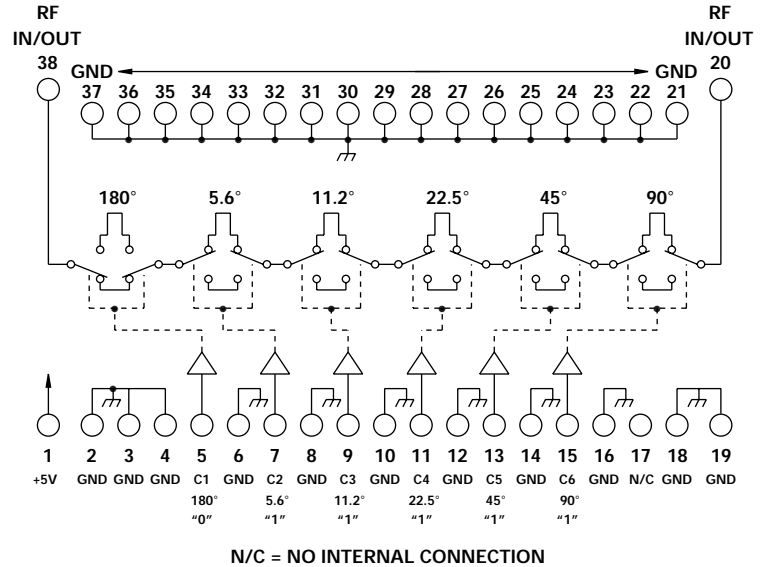
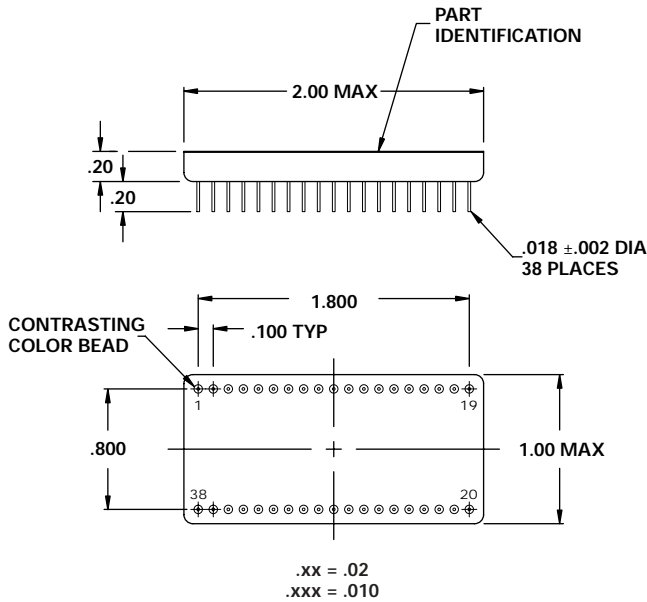
- 400 - 450 MHz
- $\pm 2.8$  Deg. Phase Accuracy
- 2 mA, +5 VDC
- 40 nSec Switching Speed
- TTL Control
- 38 Pin DIP



MODEL NO.  
DP0921

## Phase Shifter 6 Section

6 BIT



## GUARANTEED PERFORMANCE

| Parameter                    | Min                      | Typ            | Max                       | Units             | Conditions  |
|------------------------------|--------------------------|----------------|---------------------------|-------------------|---|
| Operating Frequency          | 400                      |                | 450                       | MHz               |   |
| DC Current                   |                          | 2              | 30                        | mA                | At +5 VDC Supply                                      |
| Control Type                 |                          | TTL            |                           |                   | 6 Line<br>Logic "0" = Thru<br>Logic "1" = Phase Shift |
| Control Current              | High<br>Low              | 0              | $\pm 2$                   | $\mu$ A           | $V_{IH} = +2.7$ V<br>$V_{IL} = +0.5$ V                |
| Insertion Loss               |                          | 6.2            | 6.7                       | dB                |   |
| Phase                        | LSB<br>Range<br>Accuracy | 0              | 5.6<br>354.3<br>$\pm 2.8$ | DEG<br>DEG<br>DEG | 5.6, 11.2, 22.5, 45, 90, 180                          |
| VSWR                         |                          | 1.36/1         | 1.5/1                     |                   |   |
| Impedance                    |                          | 50             |                           | OHMS              |   |
| Switching Speed              |                          | 44             | 150                       | nSec              | 50% TTL to 90% / 10% RF                               |
| Transition (Rise/Fall) Time  |                          | 11             | 40                        | nSec              | 90% / 10% or 10% / 90% RF                             |
| Switching (Video) Transients |                          | 140            |                           | mV                | Peak Value  |
| Intercept Points             | 2nd<br>3rd               | +52.0<br>+27.5 |                           | dBm<br>dBm        | 250 MHz / 150 MHz<br>125 MHz / 150 MHz                |
| RF Power                     | Operate<br>No Damage     | +8.5           | +6<br>+27                 | dBm<br>dBm        | 0.1 dB Compression                                    |
| Operating Temperature        |                          | -55            | +25<br>+125               | $^{\circ}$ C      | TA  |