

FILE NO.

SERVICE MANUAL

Remote Control Digital Color Television

DP15657 (U.S.A.) (CANADA)

ORIGINAL VERSION



Chassis No. P15657-00

NOTE: Match the Chassis No. on the unit's back cover with the Chassis No. in the Service Manual.

If the Original Version Service Manual Chassis No. does not match the unit's, additional Service Literature is required. You must refer to "Notices" to the Original Service Manual prior to servicing the unit.

Servicing should be performed by only trained and qualified service personnel.

Contents

Safety Instructions	2
Service Adjustments	3 - 4
Power Failure Circuit	5
Mechanical Disassemblies	6 - 9
Chassis Electrical Parts List	10 - 24
Cabinet Parts List	25
Component and Test Point Locations	26 - 27
Block Diagrams	28 - 35
Troubleshooting Flow Charts	36 - 38
Control Port Functions	39 - 40
Schematic Notes	41
Pin Layouts	42
PC Board Connections and Locations	43
Capacitor and Resistor Codes	44
Schematic Diagrams	45 - 46

Specifications

Power Rating	120VAC 40W (Avg), 0.8A (Max)
Antenna Input Impedance	75Ω UHF/VHF/CATV
Receiving Channel	2 - 13 (VHF), 14 - 69 (UHF), 01, 14-94, 95-125 (CATV) 1 - 135 (Digital)
Remote Ready	32 Key Remote Control
Sound Output	2.0 W/CH
Intermediate Frequency	Picture IF Carrier 45.75MHz Sound IF Carrier 41.25MHz Color Sub Carrier 42.17MHz
LCD	T150XG01 V4
Cabinet Dimensions	Width 484mm Height 311mm Depth including base 154mm

SAFETY INSTRUCTIONS

SAFETY PRECAUTIONS

WARNING: The chassis of this receiver has a floating ground with the potential of one half the AC line voltage in respect to earth ground. Service should not be attempted by anyone not familiar with the precautions necessary when working on this type of equipment.

The following precautions must be observed:

1. An isolation transformer must be connected in the power line between the receiver and the AC line before any service is performed on the receiver.
2. Comply with all caution and safety-related notes provided on the side of the cabinet, inside the cabinet, and on the chassis.
3. When replacing a chassis in the cabinet, always be certain that all the protective devices are installed properly, such as control knobs, adjustment covers, shields and barriers.
4. Before replacing the back cover of the set, thoroughly inspect the inside of the cabinet to see that no stray parts or tools have been left inside.

Before returning any television to the customer, the service technician must perform the following safety checks to be sure that the unit is completely safe to operate without danger of electrical shock.

ANTENNA COLD CHECK

Remove AC plug from the 120 VAC outlet and place a jumper across the two blades. Connect one lead of an ohmmeter to the jumpered AC plug, and touch the other lead to the exposed antenna terminal. The resistance must measure between 1M ohm and 5.2M ohm. Any resistance value below or above this range indicates an abnormality which requires corrective action.

LEAKAGE CURRENT CHECK

Plug the AC line cord directly into a 120 VAC outlet. (Do not use an isolation transformer for this check.) Use an AC voltmeter, that has 5000 ohms per volt or more sensitivity. Connect a 1500 ohm 10 watt resistor, paralleled by a 0.15 μ F 150 VAC capacitor, between a known good earth ground (water pipe, conduit, etc.) and all exposed metal parts of the cabinet (antennas, handle bracket, metal cabinet, screw heads, metal overlays, control shafts, etc.). Measure the AC voltage across the 1500 ohm resistor. The AC voltage should not exceed 750 mV. A reading exceeding 750 mV indicates that a dangerous potential exists. The fault must be located and corrected. Repeat the above test with the receiver power plug reversed.

NEVER RETURN A RECEIVER TO THE CUSTOMER WITHOUT TAKING THE NECESSARY CORRECTIVE ACTION.

PRODUCT SAFETY NOTICE

When replacing components in a receiver, always keep in mind the necessary product safety precautions. Pay special attention to the replacement of components marked with a \triangle in the parts list and in the schematic diagrams. To ensure safe product operation, it is necessary to replace those components with the exact same PARTS.

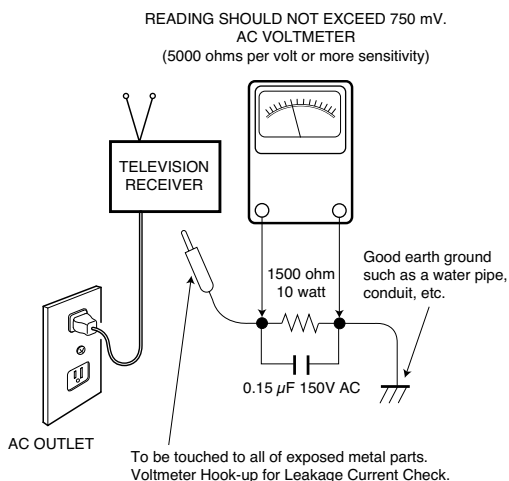
SERVICING ELECTROSTATICALLY SENSITIVE DEVICES

Semiconductors (solid-state devices) that can be damaged by static electricity are referred to as Electrostatically Sensitive (ES) devices. Examples of typical ES devices are: Integrated Circuits (IC), Field-Effect Transistors (FET), and "chip" components. The following techniques should be observed strictly, to reduce the occurrence of semiconductor damage due to electrostatic discharge.

1. Immediately prior to handling any semiconductor component or an assembly containing a semiconductor device or devices, discharge the electrostatic buildup on your body by touching a known earth ground. You may also obtain and wear a commercially available discharging wrist strap device.

CAUTION: Be sure to remove the wrist strap before applying power to any unit being serviced.

2. After removing an ES equipped assembly, place it on a conductive surface, such as, aluminum foil, to prevent buildup or exposure to static electricity.
3. Use only grounded-tip soldering irons to solder or unsolder ES devices.
4. Use only anti-static solder removal devices. Some suction-type devices can generate static electricity adequate to damage ES devices.
5. A replacement ES device will come packaged in protective material (conductive foam, aluminum foil, or some comparable conductive material). Do Not remove an ES device from its protective packaging unless you are prepared to install it immediately.
6. Precisely prior to removing an ES device from its protective packaging, touch the protective packaging to the chassis or assembly in which the device will be installed.
CAUTION: Be sure that no power is applied to the chassis or circuit assembly.
7. Incidental body movements, such as, lifting a foot from a carpeted floor or the rubbing of fabric together can generate static electricity sufficient to damage ES devices. Therefore, minimize all body movements while handling exposed (unpacked) ES devices.



SERVICE ADJUSTMENTS

GENERAL

This set has an On-screen Service Menu system included in the CPU that allows remote operation for most of the service adjustments.

ON-SCREEN SERVICE MENU SYSTEM

1. Enter the Service Menu:

- Turn off the receiver and disconnect the AC power supply.
- While pressing the Volume (-) button on the television, reconnect the AC power supply. The Service Menu will now appear. The remote can now be used to make adjustments. See Figure 1 below.



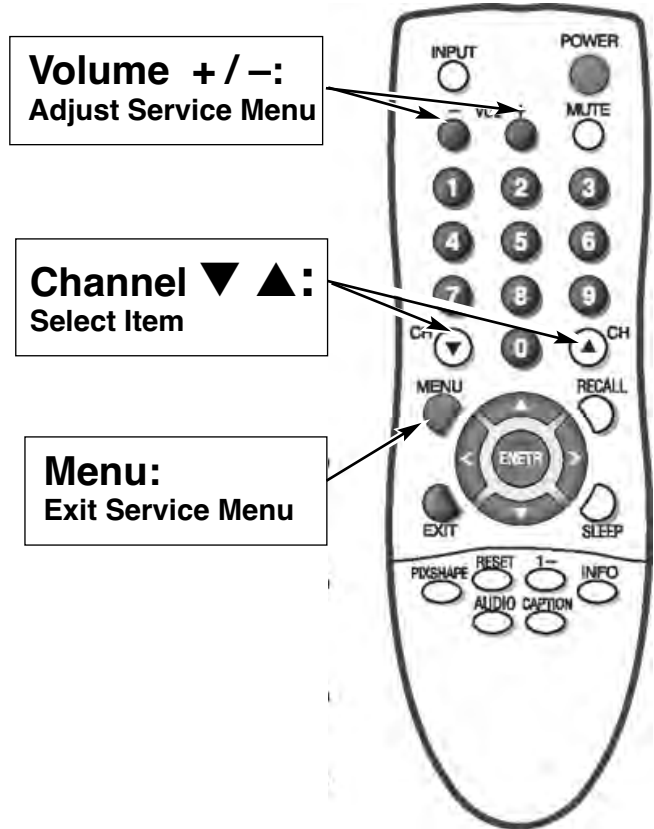
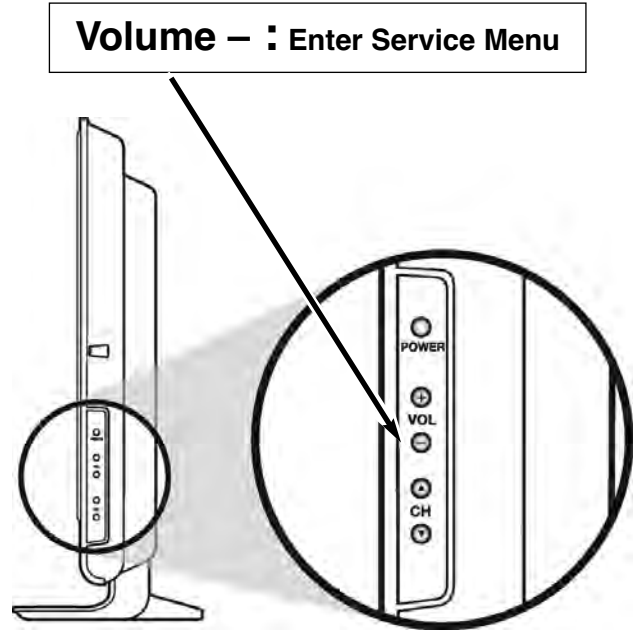
Figure 1. Service Menu Display

2. Service Adjustments:

- Press the **Channel ▲** or **▼** key to select the desired service menu item you want to adjust. See page 4 for the On-screen Service Menu.
- Use the **Volume +** or **-** key to adjust the data. The + or - keys will increase or decrease the data sequentially.

3. Exit from the Service Menu:

- Press the **MENU** key to turn off the Service Menu display.



ON-SCREEN SERVICE MENU

Table 1. ON-SCREEN SERVICE MENU

When IC802 (EEPROM) is replaced, check the bus data to confirm they are the same as below. See page 3 for On-Screen Service Menu access and adjustments.

No.	Title	Initial Data	Note
086	VOL	30h	Volume setup inspection
087	OP1	00h	Option 1 Data
088	OP2	01h	Option 2 Data
101	1R00	00h	ROM Correction Data
102	1R02	00h	ROM Correction Data
↓	↓	↓	↓
197	2R47	00h	ROM Correction Data
198	2R48	00h	ROM Correction Data

PROGRAM CODES

The microprocessor used in this model is a multi-purpose type and is used in several different models. To ensure proper operation and the correct features for your particular model, the program codes must be correct.

Note 1. Option Data 1 (NO. 087 OPT) should be hexadecimal 00. See 087 above. If this program code is wrong the TV will not operate properly.

Note 2. Option Data 2 (NO. 088 OP2) should be hexadecimal 01. See 088 above. If this program code is wrong the TV will not operate properly.

POWER FAILURE CIRCUIT

This unit is equipped with a Power Failure Detector function included in the CPU which checks for an abnormal condition in the chassis power supplies, including the power supply for the LVDS (LCD Panel).

If, while the power is on, a failure is caused by any of the following that results in a low voltage supply, the CPU will turn the unit off in 1.5 seconds to prevent further damage:

- Failure within the power supply circuits.
- A short circuit in the load side from the supply.

1. **Power Failure 1:** Detected voltage failure for digital circuits. (Connected to IC801 pin 36.)
2. **Power Failure 2:** Detected voltage failure for analog circuits. (Connected to IC801 pin 32.)

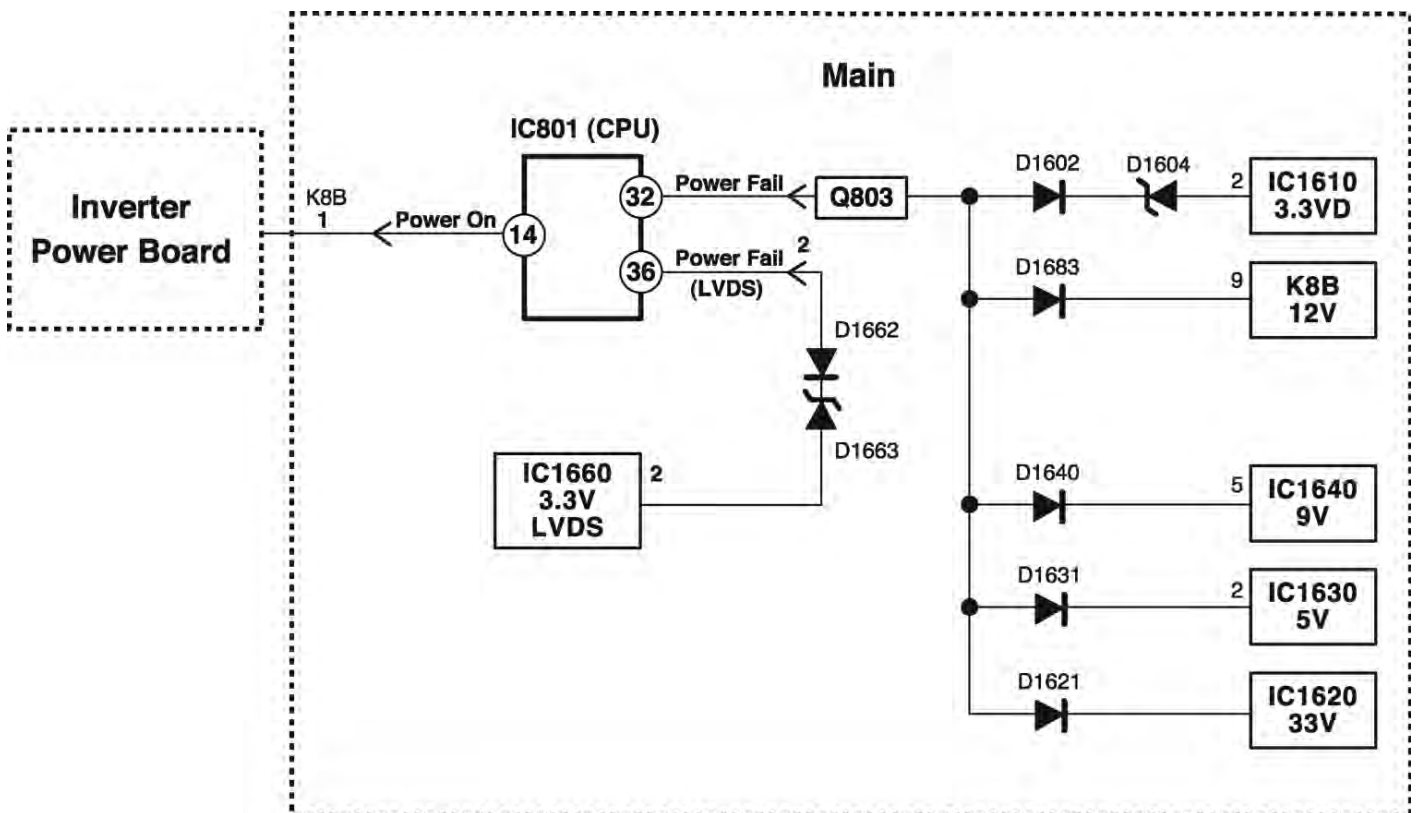
(Normal: High; Failure: Low)

If, while the power is off, the power is switched on and any of these failures remains uncorrected, the CPU will shut off the power within three seconds.

Check the following if the unit is turned off by the power failure detector.

1. Disconnect the AC power cord (120V AC line) for at least 10 seconds.
2. Connect a DC Voltmeter to the circuits shown below.
3. Press the Power key and check for the proper voltage supplies.
4. If any of these voltages is low, the power failure detector should turn the unit off within three seconds.
5. Check all circuits shown below.

Note: This unit is equipped with a Power Surge Protection feature included in the CPU. If power failure occurs three times within 15 minutes, the CPU will stop functioning automatically to help prevent secondary damage. (TV will not turn on by pressing the power key.) To reset the operating programs within the CPU, disconnect the AC power cord for at least 10 seconds.



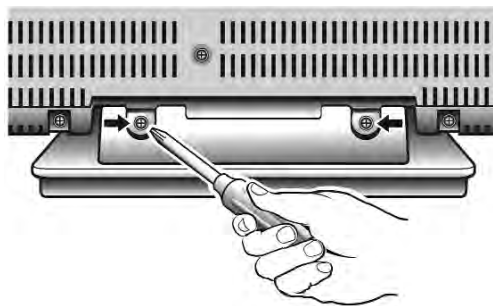
MECHANICAL DISASSEMBLY

CAUTION: This LCD TV uses several different kinds of screws. Using the correct screw is necessary to prevent damage. Lead wires must be redressed to their previous locations after servicing.

STAND REMOVAL

Note: Position TV face down on a padded or cushioned surface to protect the screen and finish.

Remove 2 screws to take the stand off.

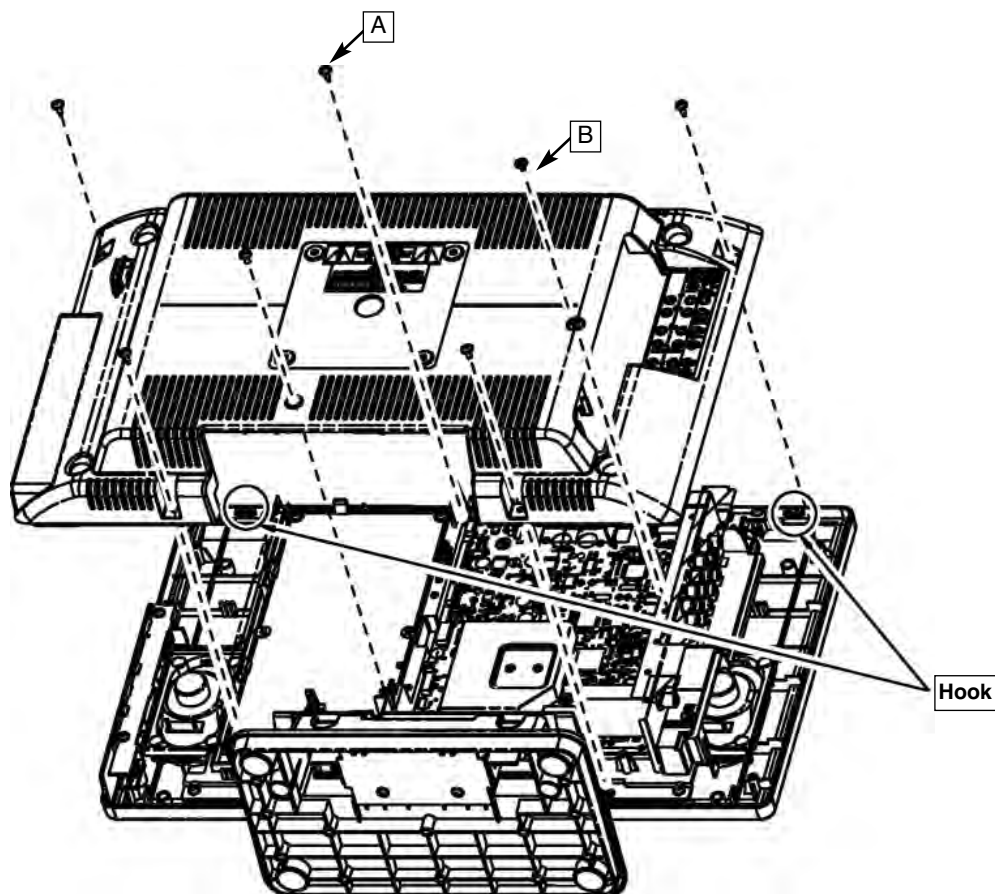


CABINET BACK REMOVAL

Remove 6 screws (A 3X10) and 1 screw (B 3X6).

Release the hooks in 2 places at the top by grasping the bottom of the back and lifting. Take the cabinet back off.

Note: The cabinet back can be removed without removing the stand.



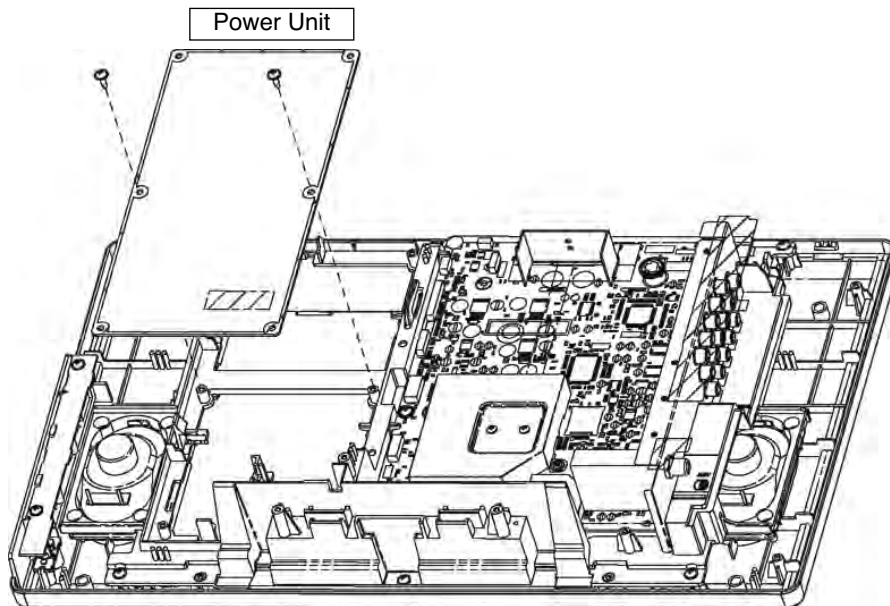


ELECTROSTATICALLY SENSITIVE DEVICES

Many solid-state devices (especially Integrated Circuits) are Electrostatically Sensitive, and, therefore, require special handling techniques as described under "Servicing Electrostatically Sensitive Devices," on page two in this service literature.

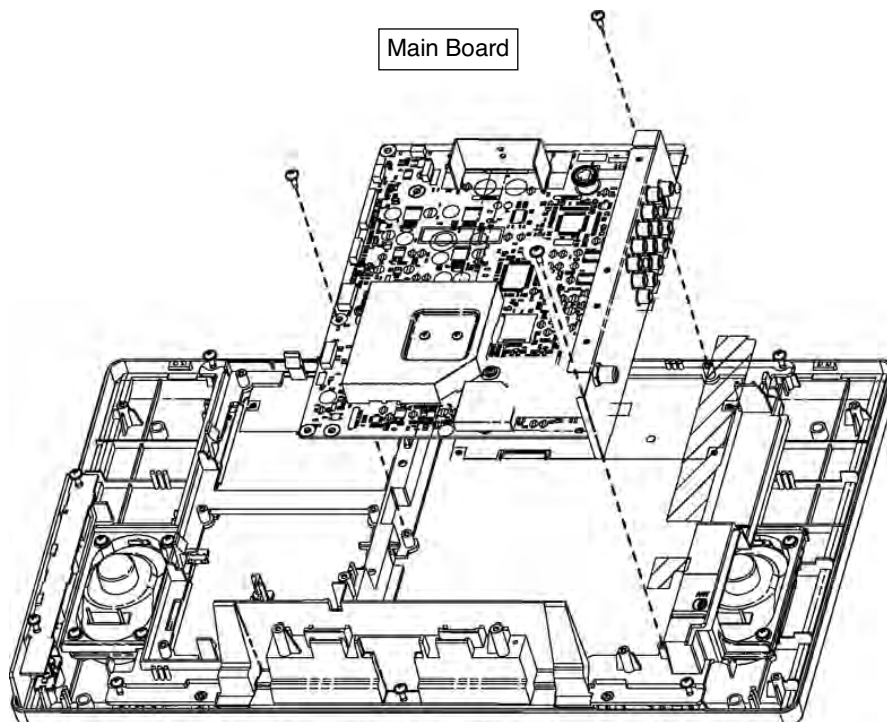
POWER BOARD REMOVAL

Remove 2 screws to take off the power unit.



MAIN BOARD REMOVAL

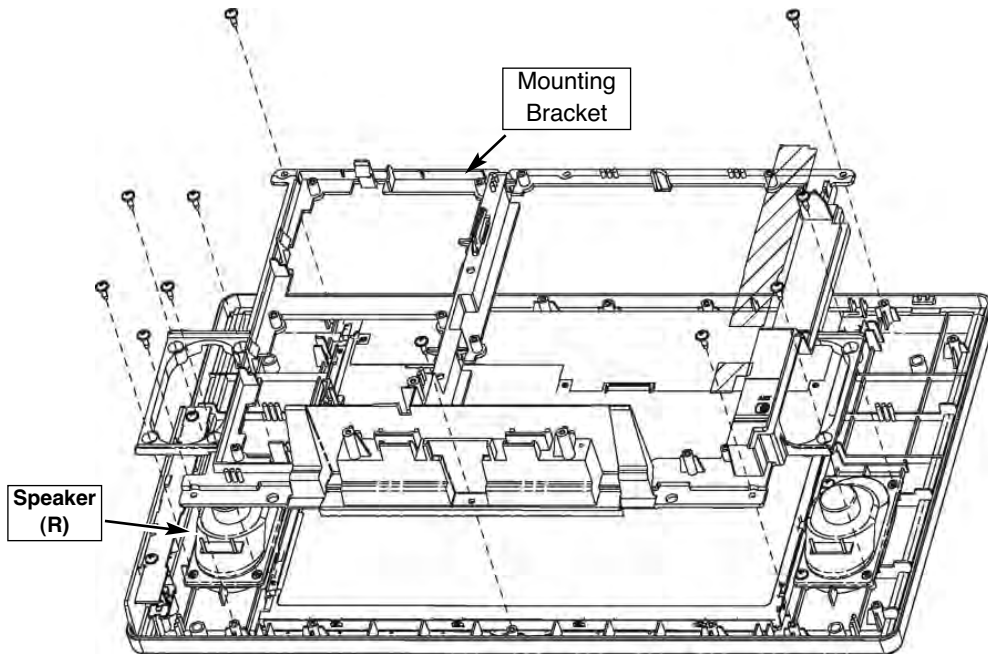
Remove 3 screws to take off the main board.



MECHANICAL DISASSEMBLY (CONT.)

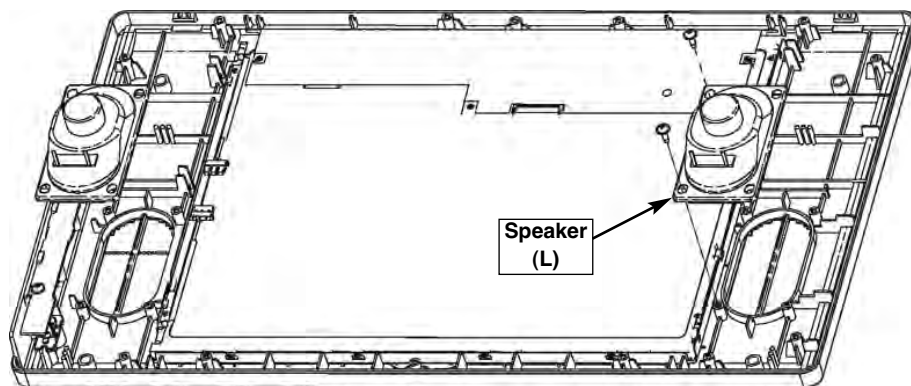
MOUNTING BRACKET AND SPEAKER REMOVAL

Remove 11 screws to take off the mounting bracket and the right speaker.



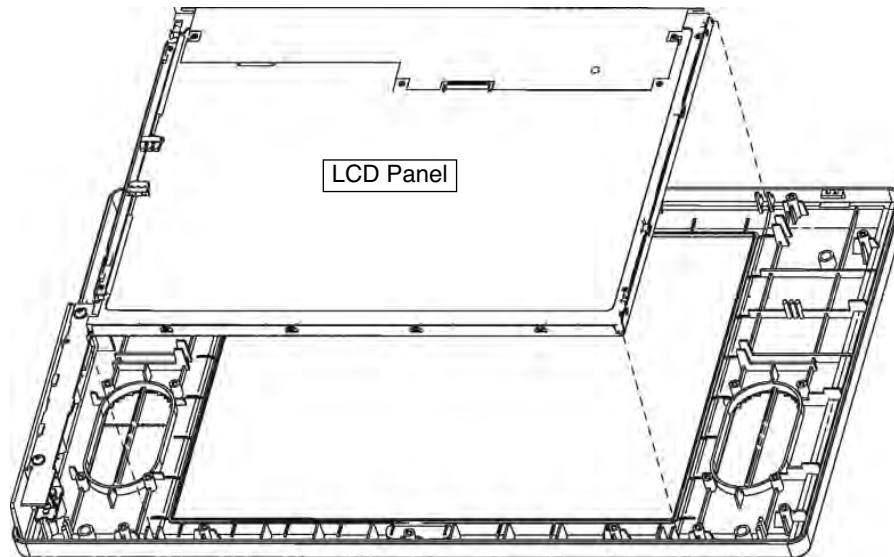
LEFT SPEAKER REMOVAL

Remove 2 screws and remove the left speaker.



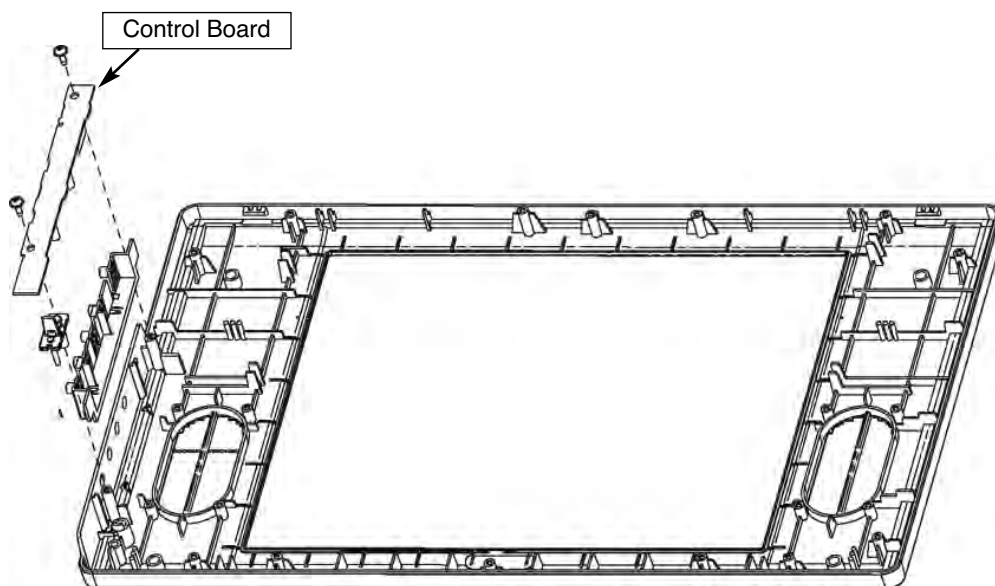
LCD PANEL REMOVAL

Lift panel from cabinet.



CONTROL BOARD REMOVAL

Remove 2 screws to take off the control board with the button assembly parts.



CHASSIS ELECTRICAL PARTS LIST

CAUTION: To Protect against electrical shock and for continued product safety, refer to SAFETY PRECAUTIONS and PRODUCT SAFETY NOTICE on Page 2.

PRODUCT SAFETY NOTICE

PRODUCT SAFETY SHOULD BE CONSIDERED WHEN A REPLACEMENT IS MADE IN ANY AREA OF A RECEIVER. COMPONENTS INDICATED BY A ⚠ IN THIS PARTS LIST AND THE SCHEMATIC DIAGRAM DESIGNATE COMPONENTS IN WHICH SAFETY CAN BE OF SPECIAL SIGNIFICANCE. IT IS PARTICULARLY RECOMMENDED THAT ONLY PARTS DESIGNATED ON THE FOLLOWING PARTS LIST BE USED FOR COMPONENT REPLACEMENT DESIGNATED BY A ⚠. NO DEVIATIONS FROM RESISTANCE, WATTAGE, AND VOLTAGE RATINGS MAY BE MADE FOR REPLACEMENT ITEMS DESIGNATED BY A ⚠.

Note: Schematic part location numbers may not always match with the part descriptions.
The part descriptions are correct and should be used.

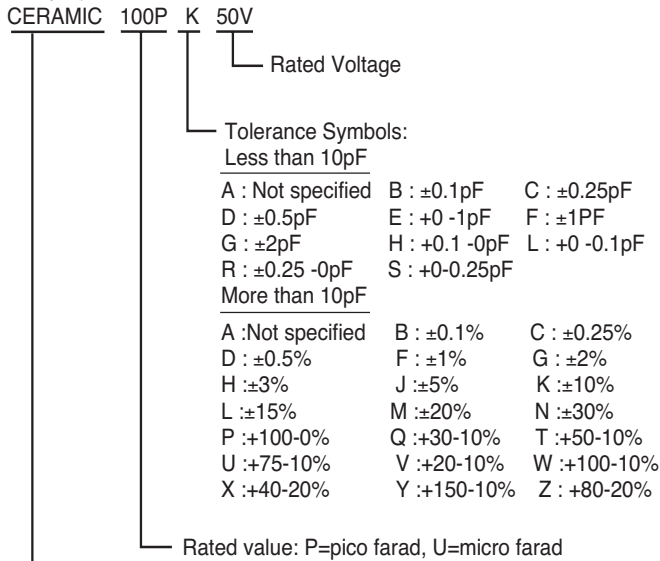
Schematic Location	Part No.	Description
--------------------	----------	-------------

CAPACITORS

NOTES:

Read description of the Capacitor as follows:

(Example)



Material:

- CERAMIC..... Ceramic
- MT-PAPER..... Metallized Paper
- POLYESTER..... Polyester
- MT-POLYEST.....Metallized Polyester
- POLYPRO..... Polypropylene
- MT-POLYPRO..... Metallized Polypropylene
- COMPO FILM..... Composite Film
- MT-COMPO..... Metallized Composite
- STYRENE..... Styrene
- TA-SOLID..... Tantalum Solid
- AL-SOLID..... Aluminium Solid
- ELECT..... Electrolytic
- NP-ELECT..... Non-polarised Electrolytic
- OS-SOLID..... Aluminium Solid with Organic
Semiconductive Electrolytic

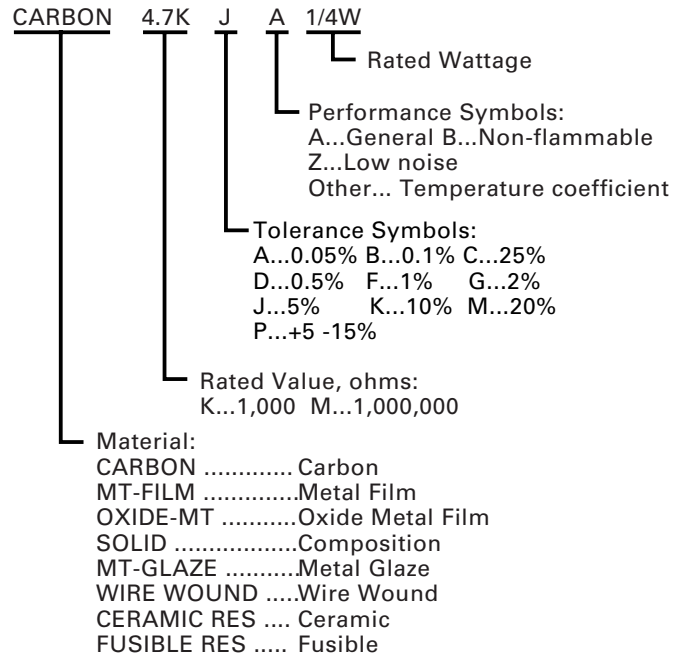
Schematic Location	Part No.	Description
--------------------	----------	-------------

RESISTORS

NOTES:

Read description of the Resistor as follows:

(Example)



Schematic Location	Part No.	Description
--------------------	----------	-------------

CAPACITORS

C001	CPXLB1C100YAN	NP-ELECT 10U M 16V
C001	CPXLB1C100ZAN	NP-ELECT 10U M 16V
C002	CK1H104ZLZFN	CERAMIC 0.1U Z 50V
C006	CEXLB1H4R7VDN	ELECT 4.7U M 50V
C006	CEXLB1H4R7WAN	ELECT 4.7U M 50V
C007	CEXLB1V470VDN	ELECT 47U M 35V
C007	CEXLB1V470WAN	ELECT 47U M 35V
C008	CK1H102KLZBNG	CERAMIC 1000P K 50V
C009	CK1H102KLZBNG	CERAMIC 1000P K 50V
C010	CK1H104ZLZFN	CERAMIC 0.1U Z 50V
C011	CK1H104ZLZFN	CERAMIC 0.1U Z 50V
C013	CPXLB1C100YAN	NP-ELECT 10U M 16V
C013	CPXLB1C100ZAN	NP-ELECT 10U M 16V
C015	CEXLB1C222VDN	ELECT 2200U M 16V
C016	CEXLB1H100VDN	ELECT 10U M 50V
C016	CEXLB1H100WAN	ELECT 10U M 50V
C017	CEXLB1H100VDN	ELECT 10U M 50V
C017	CEXLB1H100WAN	ELECT 10U M 50V
C018	CK1H104ZLZFN	CERAMIC 0.1U Z 50V
C019	CK1H104ZLZFN	CERAMIC 0.1U Z 50V
C681	CK1H104ZLZFN	CERAMIC 0.1U Z 50V
C684	CK1H104ZLZFN	CERAMIC 0.1U Z 50V
C687	CK1H104ZLZFN	CERAMIC 0.1U Z 50V
C697	CK1H104ZLZFN	CERAMIC 0.1U Z 50V
C703	CK1H104ZLZFN	CERAMIC 0.1U Z 50V
C704	CK1H104ZLZFN	CERAMIC 0.1U Z 50V
C705	CK1H104ZLZFN	CERAMIC 0.1U Z 50V
C706	CK1H104ZLZFN	CERAMIC 0.1U Z 50V
C708	CK1H104ZLZFN	CERAMIC 0.1U Z 50V
C710	CK1H104ZLZFN	CERAMIC 0.1U Z 50V
C721	CK1H104ZLZFN	CERAMIC 0.1U Z 50V
C723	CK1H104ZLZFN	CERAMIC 0.1U Z 50V
C800	RGFR000ZTCANL	MT-GLAZE 0.000 ZA 1/10W
C804	RGF1003JTCANL	MT-GLAZE 100K JA 1/10W
C805	CC1H220JLZCNG	CERAMIC 22P J 50V
C806	CC1H220JLZCNG	CERAMIC 22P J 50V
C807	CK1H103ZLZFN	CERAMIC 0.01U Z 50V
C811	CK1H104ZLZFN	CERAMIC 0.1U Z 50V
C813	CEXLB1V470VDN	ELECT 47U M 35V
C813	CEXLB1V470WAN	ELECT 47U M 35V
C814	CK1H222KLZBNG	CERAMIC 2200P K 50V
C815	CC1H220JLZCNG	CERAMIC 22P J 50V
C816	CC1H220JLZCNG	CERAMIC 22P J 50V
C820	CK1H103ZLZFN	CERAMIC 0.01U Z 50V
C825	CC1H470JLZCNG	CERAMIC 47P J 50V
C826	CK1H104ZLZFN	CERAMIC 0.1U Z 50V
C827	CK1H104ZLZFN	CERAMIC 0.1U Z 50V
C829	CK1H104ZLZFN	CERAMIC 0.1U Z 50V
C834	CEXLB0J221VDN	ELECT 220U M 6.3V
C834	CEXLB0J221WAN	ELECT 220U M 6.3V
C835	CK1H104ZLZFN	CERAMIC 0.1U Z 50V
C836	CC1H120JLZCNG	CERAMIC 12P J 50V
C837	CC1H120JLZCNG	CERAMIC 12P J 50V

Schematic Location	Part No.	Description
--------------------	----------	-------------

C839	CK1H103ZLZFN	CERAMIC 0.01U Z 50V
C840	CK1H333KLZBNG	CERAMIC 0.033U K 50V
C841	CEXLB1H2R2VDN	ELECT 2.2 U M 50V
C841	CEXLB1H2R2WAN	ELECT 2.2U M 50V
C842	CK1H104ZLZFN	CERAMIC 0.1U Z 50V
C1000	CK1H104ZLZFN	CERAMIC 0.1U Z 50V
C1001	CEXLB1H100VDN	ELECT 10U M 50V
C1001	CEXLB1H100WAN	ELECT 10U M 50V
C1002	CEXLB1H100VDN	ELECT 10U M 50V
C1002	CEXLB1H100WAN	ELECT 10U M 50V
C1003	CEXLB1H4R7VDN	ELECT 4.7U M 50V
C1003	CEXLB1H4R7WAN	ELECT 4.7U M 50V
C1004	CEXLB1H4R7VDN	ELECT 4.7U M 50V
C1004	CEXLB1H4R7WAN	ELECT 4.7U M 50V
C1011	CEXLB1H4R7VDN	ELECT 4.7U M 50V
C1011	CEXLB1H4R7WAN	ELECT 4.7U M 50V
C1012	CEXLB1H4R7VDN	ELECT 4.7U M 50V
C1012	CEXLB1H4R7WAN	ELECT 4.7U M 50V
C1013	CEXLB1H4R7VDN	ELECT 4.7U M 50V
C1013	CEXLB1H4R7WAN	ELECT 4.7U M 50V
C1014	CEXLB1H4R7VDN	ELECT 4.7U M 50V
C1014	CEXLB1H4R7WAN	ELECT 4.7U M 50V
C1015	CEXLB1H4R7VDN	ELECT 4.7U M 50V
C1015	CEXLB1H4R7WAN	ELECT 4.7U M 50V
C1016	CEXLB1H4R7VDN	ELECT 4.7U M 50V
C1016	CEXLB1H4R7WAN	ELECT 4.7U M 50V
C1017	CEXLB1H4R7VDN	ELECT 4.7U M 50V
C1017	CEXLB1H4R7WAN	ELECT 4.7U M 50V
C1201	CEXLB1V470VDN	ELECT 47U M 35V
C1201	CEXLB1V470WAN	ELECT 47U M 35V
C1202	CK1H104ZLZFN	CERAMIC 0.1U Z 50V
C1205	CEXLB1V470VDN	ELECT 47U M 35V
C1205	CEXLB1V470WAN	ELECT 47U M 35V
C1251	CK1H104ZLZFN	CERAMIC 0.1U Z 50V
C1600	CEXLB1E102VDN	ELECT 1K U M 25V
C1601	CK1H104ZLZFN	CERAMIC 0.1U Z 50V
C1602	CE0J102MZVANN	ELECT 1000U M 6.3V
C1603	CK1A105ZLZFN	CERAMIC 1U Z 10V
C1604	CK1H104ZLZFN	CERAMIC 0.1U Z 50V
C1610	CK1H104ZLZFN	CERAMIC 0.1U Z 50V
C1611	CK1A105ZLZFN	CERAMIC 1U Z 10V
C1613	CK1H104ZLZFN	CERAMIC 0.1U Z 50V
C1614	CEXLB0J221VDN	ELECT 220U M 6.3V
C1614	CEXLB0J221WAN	ELECT 220U M 6.3V
C1615	CEXLB0J221VDN	ELECT 220U M 6.3V
C1615	CEXLB0J221WAN	ELECT 220U M 6.3V
C1618	CK1A105ZLZFN	CERAMIC 1U Z 10V
C1619	CK1H104ZLZFN	CERAMIC 0.1U Z 50V
C1620	CK1H104ZLZFN	CERAMIC 0.1U Z 50V
C1621	CK1A105ZLZFN	CERAMIC 1U Z 10V
C1622	CK1A105ZLZFN	CERAMIC 1U Z 10V
C1623	CEXLB1H100VDN	ELECT 10U M 50V
C1623	CEXLB1H100WAN	ELECT 10U M 50V
C1630	CEXLB1C101VDN	ELECT 100U M 16V

Schematic Location	Part No.	Description
C1630	CEXLB1C101WAN	ELECT 100U M 16V
C1631	CK1H104ZLZFN	CERAMIC 0.1U Z 50V
C1632	CK1H104ZLZFN	CERAMIC 0.1U Z 50V
C1633	CEXLB0J102VDN	ELECT 1000U M 6.3V
C1633	CEXLB0J102WAN	ELECT 1000U M 6.3V
C1634	CK1A105ZLZFN	CERAMIC 1U Z 10V
C1640	CEXLB1C101VDN	ELECT 100U M 16V
C1640	CEXLB1C101WAN	ELECT 100U M 16V
C1641	CK1H104ZLZFN	CERAMIC 0.1U Z 50V
C1642	CK1H104ZLZFN	CERAMIC 0.1U Z 50V
C1643	CEXLB1C101VDN	ELECT 100U M 16V
C1643	CEXLB1C101WAN	ELECT 100U M 16V
C1660	CEXLB1V471WAN	ELECT 470U M 35V
C1661	CK1H104ZLZFN	CERAMIC 0.1U Z 50V
C1662	CK1H103ZLZFN	CERAMIC 0.01U Z 50V
C1663	CC1H470JLZCNG	CERAMIC 47P J 50V
C1664	CK1H103ZLZFN	CERAMIC 0.01U Z 50V
C1665	CK1H104ZLZFN	CERAMIC 0.1U Z 50V
C1666	CEXLB1E102VDN	ELECT 1K U M 25V
C1667	CK1H104ZLZFN	CERAMIC 0.1U Z 50V
C1800	CK1H104ZLZFN	CERAMIC 0.1U Z 50V
C1902	CEXLB1H100VDN	ELECT 10U M 50V
C1902	CEXLB1H100WAN	ELECT 10U M 50V
C1904	CK1H104ZLZFN	CERAMIC 0.1U Z 50V
C1905	CC1H470JLZCNG	CERAMIC 47P J 50V
C3200	CK1H104ZLZFN	CERAMIC 0.1U Z 50V
C3201	CK1A105ZLZFN	CERAMIC 1U Z 10V
C3202	CK1A105ZLZFN	CERAMIC 1U Z 10V
C3203	CK1H104ZLZFN	CERAMIC 0.1U Z 50V
C3204	CK1H223KLZBNG	CERAMIC 0.022U K 50V
C3205	CK1H222KLZBNG	CERAMIC 2200P K 50V
C3206	CK1H104ZLZFN	CERAMIC 0.1U Z 50V
C3208	CK1A105ZLZFN	CERAMIC 1U Z 10V
C3209	CK1A105ZLZFN	CERAMIC 1U Z 10V
C3210	CK1H104ZLZFN	CERAMIC 0.1U Z 50V
C3211	CK1A105ZLZFN	CERAMIC 1U Z 10V
C3212	CK1A105ZLZFN	CERAMIC 1U Z 10V
C3213	CK1H104ZLZFN	CERAMIC 0.1U Z 50V
C3214	CK1A105ZLZFN	CERAMIC 1U Z 10V
C3215	CK1H222KLZBNG	CERAMIC 2200P K 50V
C3216	CK1H104ZLZFN	CERAMIC 0.1U Z 50V
C3218	CK1C224KLZBNG	CERAMIC 0.22U K 16V
C3219	CK1A105ZLZFN	CERAMIC 1U Z 10V
C3220	CK1A105ZLZFN	CERAMIC 1U Z 10V
C3221	CK1A105ZLZFN	CERAMIC 1U Z 10V
C3222	CK1H104ZLZFN	CERAMIC 0.1U Z 50V
C3223	CEXLB1C222VDN	ELECT 2200U M 16V
C5503	CK1H104ZLZFN	CERAMIC 0.1U Z 50V
C5504	CK1A105ZLZFN	CERAMIC 1U Z 10V
C5505	CK1H102KLZBNG	CERAMIC 1000P K 50V
C5506	CK1H104ZLZFN	CERAMIC 0.1U Z 50V
C5507	CK1H104ZLZFN	CERAMIC 0.1U Z 50V
C5508	CK1H104ZLZFN	CERAMIC 0.1U Z 50V
C5509	CK1H104ZLZFN	CERAMIC 0.1U Z 50V

Schematic Location	Part No.	Description
C5510	CK1A105ZLZFN	CERAMIC 1U Z 10V
C5511	CEXLB1H100VDN	ELECT 10U M 50V
C5511	CEXLB1H100WAN	ELECT 10U M 50V
C5512	CEXLB1H100VDN	ELECT 10U M 50V
C5512	CEXLB1H100WAN	ELECT 10U M 50V
C5513	CK1H104ZLZFN	CERAMIC 0.1U Z 50V
C5515	CC1H470JLZCNG	CERAMIC 47P J 50V
C5516	CC1H470JLZCNG	CERAMIC 47P J 50V
C5517	CK1H104ZLZFN	CERAMIC 0.1U Z 50V
C5518	CEXLB1H100VDN	ELECT 10U M 50V
C5518	CEXLB1H100WAN	ELECT 10U M 50V
C5519	CK1H104ZLZFN	CERAMIC 0.1U Z 50V
C5521	CEXLB1H100VDN	ELECT 10U M 50V
C5521	CEXLB1H100WAN	ELECT 10U M 50V
C5523	CK1A105ZLZFN	CERAMIC 1U Z 10V
C5529	CK1H104ZLZFN	CERAMIC 0.1U Z 50V
C5532	CK1A105ZLZFN	CERAMIC 1U Z 10V
C5533	CEXLB0J221VDN	ELECT 220U M 6.3V
C5533	CEXLB0J221WAN	ELECT 220U M 6.3V
C5534	CK1H104ZLZFN	CERAMIC 0.1U Z 50V
C5536	CEXLB0J221VDN	ELECT 220U M 6.3V
C5536	CEXLB0J221WAN	ELECT 220U M 6.3V
C5537	CK1A105ZLZFN	CERAMIC 1U Z 10V
C5538	CK1H103ZLZFN	CERAMIC 0.01U Z 50V
C5539	CK1H104ZLZFN	CERAMIC 0.1U Z 50V
C5542	CK1H104ZLZFN	CERAMIC 0.1U Z 50V
C5543	CK1H104ZLZFN	CERAMIC 0.1U Z 50V
C5544	CK1H104ZLZFN	CERAMIC 0.1U Z 50V
C5545	CK1H104ZLZFN	CERAMIC 0.1U Z 50V
C5547	CK1H104ZLZFN	CERAMIC 0.1U Z 50V
C5548	CK1H104ZLZFN	CERAMIC 0.1U Z 50V
C5549	CK1H104ZLZFN	CERAMIC 0.1U Z 50V
C5551	CK1H104ZLZFN	CERAMIC 0.1U Z 50V
C5552	CK1H104ZLZFN	CERAMIC 0.1U Z 50V
C5553	CEXLB1V470VDN	ELECT 47U M 35V
C5553	CEXLB1V470WAN	ELECT 47U M 35V
C5554	CK1H104ZLZFN	CERAMIC 0.1U Z 50V
C5555	CK1H104ZLZFN	CERAMIC 0.1U Z 50V
C5557	CK1H104ZLZFN	CERAMIC 0.1U Z 50V
C5558	CK1H102KLZBNG	CERAMIC 1000P K 50V
C5560	CK1H104ZLZFN	CERAMIC 0.1U Z 50V
C5564	CK1H104ZLZFN	CERAMIC 0.1U Z 50V
C5565	CK1H104ZLZFN	CERAMIC 0.1U Z 50V
C5566	CK1H104ZLZFN	CERAMIC 0.1U Z 50V
C5566	CK1H104ZLZFN	CERAMIC 0.1U Z 50V
C5567	CK1H104ZLZFN	CERAMIC 0.1U Z 50V
C5568	CK1H104ZLZFN	CERAMIC 0.1U Z 50V
C5570	CK1H104ZLZFN	CERAMIC 0.1U Z 50V
C5572	CK1H104ZLZFN	CERAMIC 0.1U Z 50V
C5573	CK1H104ZLZFN	CERAMIC 0.1U Z 50V
C5574	CK1H104ZLZFN	CERAMIC 0.1U Z 50V
C5575	CK1A105ZLZFN	CERAMIC 1U Z 10V
C5576	CK1H104ZLZFN	CERAMIC 0.1U Z 50V
C5577	CK1H104ZLZFN	CERAMIC 0.1U Z 50V

Schematic Location	Part No.	Description			
C5578	CEXLB0J221VDN	ELECT	220U M	6.3V	
C5578	CEXLB0J221WAN	ELECT	220U M	6.3V	
C5580	CK1H104ZLZFN	CERAMIC	0.1U Z	50V	
C5581	CK1H104ZLZFN	CERAMIC	0.1U Z	50V	
C5582	CK0J106KGM	CERAMIC	10U K	6.3V	
C5583	CK0J106KGM	CERAMIC	10U K	6.3V	
C5701	CEXLB1V470VDN	ELECT	47U M	35V	
C5701	CEXLB1V470WAN	ELECT	47U M	35V	
C5702	CK1H104ZLZFN	CERAMIC	0.1U Z	50V	
C5704	CK1H104ZLZFN	CERAMIC	0.1U Z	50V	
C5705	CK1H104ZLZFN	CERAMIC	0.1U Z	50V	
C5706	CK1H104ZLZFN	CERAMIC	0.1U Z	50V	
C5707	CK1H104ZLZFN	CERAMIC	0.1U Z	50V	
C5708	CK1H104ZLZFN	CERAMIC	0.1U Z	50V	
C5709	CK1H104ZLZFN	CERAMIC	0.1U Z	50V	
C5710	CK1H103ZLZFN	CERAMIC	0.01U Z	50V	
C5711	CK1H103ZLZFN	CERAMIC	0.01U Z	50V	
C5712	CK1H103ZLZFN	CERAMIC	0.01U Z	50V	
C5713	CK1H103ZLZFN	CERAMIC	0.01U Z	50V	
C5714	CK1H103ZLZFN	CERAMIC	0.01U Z	50V	
C5715	CK1H104ZLZFN	CERAMIC	0.1U Z	50V	
C5721	CK0J475KLZB	CERAMIC	4.7U K	6.3V	
C5801	CK1H104ZLZFN	CERAMIC	0.1U Z	50V	
C5803	CC1H120JLZC	CERAMIC	12P J	50V	
C5804	CC1H150JLZC	CERAMIC	15P J	50V	
C5805	CC1H270JLZC	CERAMIC	27P J	50V	
C5806	CC1H680JLZC	CERAMIC	68P J	50V	
C5807	CK1C224KLZB	CERAMIC	0.22U K	16V	
C5808	CK1C224KLZB	CERAMIC	0.22U K	16V	
C5809	CK1H104ZLZFN	CERAMIC	0.1U Z	50V	
C5812	CC1H120JLZC	CERAMIC	12P J	50V	
C5813	CC1H150JLZC	CERAMIC	15P J	50V	
C5814	CC1H270JLZC	CERAMIC	27P J	50V	
C5815	CC1H680JLZC	CERAMIC	68P J	50V	
C5816	CK1C224KLZB	CERAMIC	0.22U K	16V	
C5901	CK1A474KLZB	CERAMIC	0.47U K	10V	
C5904	CK1H104ZLZFN	CERAMIC	0.1U Z	50V	
C5905	CEXLB1H100VDN	ELECT	10U M	50V	
C5905	CEXLB1H100WAN	ELECT	10U M	50V	
C5959	CC1H120JLZC	CERAMIC	12P J	50V	
C6051	CK1A105ZLZFN	CERAMIC	1U Z	10V	
C6052	CK1A105ZLZFN	CERAMIC	1U Z	10V	
C6053	CEXLB0J221VDN	ELECT	220U M	6.3V	
C6053	CEXLB0J221WAN	ELECT	220U M	6.3V	
C6054	CK1H104ZLZFN	CERAMIC	0.1U Z	50V	
C6086	CK1H104ZLZFN	CERAMIC	0.1U Z	50V	
C6087	CEXLB1V470VDN	ELECT	47U M	35V	
C6087	CEXLB1V470WAN	ELECT	47U M	35V	
C6090	CEXLB0J221VDN	ELECT	220U M	6.3V	
C6090	CEXLB0J221WAN	ELECT	220U M	6.3V	
C6091	CK1A105ZLZFN	CERAMIC	1U Z	10V	
C6094	CK1A105ZLZFN	CERAMIC	1U Z	10V	
C6099	CK1H104ZLZFN	CERAMIC	0.1U Z	50V	
C6103	CK1H104ZLZFN	CERAMIC	0.1U Z	50V	

Schematic Location	Part No.	Description			
C6105	CC1H3R0CLZC	CERAMIC	3P C	50V	
C6106	CC1H390JLZC	CERAMIC	39P J	50V	
C6107	CK1A105ZLZFN	CERAMIC	1U Z	10V	
C6109	CK1H103ZLZFN	CERAMIC	0.01U Z	50V	
C6127	CEXLB0J102VDN	ELECT	1000U M	6.3V	
C6127	CEXLB0J102WAN	ELECT	1000U M	6.3V	
C6144	CK1H104ZLZFN	CERAMIC	0.1U Z	50V	
C6145	CK1H104ZLZFN	CERAMIC	0.1U Z	50V	
C6151	CC1H220JLZC	CERAMIC	22P J	50V	
C6153	CC1H220JLZC	CERAMIC	22P J	50V	
C6155	CK1H104ZLZFN	CERAMIC	0.1U Z	50V	
C6170	CK1H104ZLZFN	CERAMIC	0.1U Z	50V	
C6171	CEXLB1V471WAN	ELECT	470U M	35V	
C6172	CK1H104ZLZFN	CERAMIC	0.1U Z	50V	
C6173	CC1H180JLZC	CERAMIC	18P J	50V	
C6174	CK1H104ZLZFN	CERAMIC	0.1U Z	50V	
C6175	CC1H180JLZC	CERAMIC	18P J	50V	
C6176	CEXLB0J102VDN	ELECT	1000U M	6.3V	
C6176	CEXLB0J102WAN	ELECT	1000U M	6.3V	
C6177	CEXLB1V471WAN	ELECT	470U M	35V	
C6178	CK1H104ZLZFN	CERAMIC	0.1U Z	50V	
C6180	CK1H102KLZB	CERAMIC	1000P K	50V	
C6181	CK1H104ZLZFN	CERAMIC	0.1U Z	50V	
C6201	CK1H104ZLZFN	CERAMIC	0.1U Z	50V	
C6202	CK1H104ZLZFN	CERAMIC	0.1U Z	50V	
C6203	CK1H473KLZB	CERAMIC	0.047U K	50V	
C6204	CK1H104ZLZFN	CERAMIC	0.1U Z	50V	
C6205	CK1H104ZLZFN	CERAMIC	0.1U Z	50V	
C6206	CK1H473KLZB	CERAMIC	0.047U K	50V	
C6207	CK1H103ZLZFN	CERAMIC	0.01U Z	50V	
C6208	CK1H104ZLZFN	CERAMIC	0.1U Z	50V	
C6209	CK1H104ZLZFN	CERAMIC	0.1U Z	50V	
C6211	CK1H473KLZB	CERAMIC	0.047U K	50V	
C6212	CK1H104ZLZFN	CERAMIC	0.1U Z	50V	
C6213	CK1H473KLZB	CERAMIC	0.047U K	50V	
C6214	CK1H473KLZB	CERAMIC	0.047U K	50V	
C6215	CK1H103ZLZFN	CERAMIC	0.01U Z	50V	
C6216	CK1H473KLZB	CERAMIC	0.047U K	50V	
C6217	CK1H104ZLZFN	CERAMIC	0.1U Z	50V	
C6218	CK1H104ZLZFN	CERAMIC	0.1U Z	50V	
C6219	CK1H104ZLZFN	CERAMIC	0.1U Z	50V	
C6221	CK1H104ZLZFN	CERAMIC	0.1U Z	50V	
C6230	CEXLB0J221VDN	ELECT	220U M	6.3V	
C6230	CEXLB0J221WAN	ELECT	220U M	6.3V	
C6231	CC1H150JLZC	CERAMIC	15P J	50V	
C6232	CC1H150JLZC	CERAMIC	15P J	50V	
C6233	CK1H104ZLZFN	CERAMIC	0.1U Z	50V	
C6234	CK1H104ZLZFN	CERAMIC	0.1U Z	50V	
C6235	CK1H104ZLZFN	CERAMIC	0.1U Z	50V	
C6236	CK1H104ZLZFN	CERAMIC	0.1U Z	50V	
C6237	CK1H104ZLZFN	CERAMIC	0.1U Z	50V	
C6238	CK1H104ZLZFN	CERAMIC	0.1U Z	50V	
C6239	CK1H104ZLZFN	CERAMIC	0.1U Z	50V	
C6241	CK1H104ZLZFN	CERAMIC	0.1U Z	50V	

Schematic Location	Part No.	Description
C6242	CK1H104ZLZFNG	CERAMIC 0.1U Z 50V
C6243	CK1H104ZLZFNG	CERAMIC 0.1U Z 50V
C6244	CK1H104ZLZFNG	CERAMIC 0.1U Z 50V
C6245	CK1H104ZLZFNG	CERAMIC 0.1U Z 50V
C6246	CK1H104ZLZFNG	CERAMIC 0.1U Z 50V
C6250	CEXLB1H4R7VDN	ELECT 4.7U M 50V
C6250	CEXLB1H4R7WAN	ELECT 4.7U M 50V
C6251	CEXLB1H100VDN	ELECT 10U M 50V
C6251	CEXLB1H100WAN	ELECT 10U M 50V
C6252	CEXLB1C101VDN	ELECT 100U M 16V
C6252	CEXLB1C101WAN	ELECT 100U M 16V
C6253	CEXLB1H4R7VDN	ELECT 4.7U M 50V
C6253	CEXLB1H4R7WAN	ELECT 4.7U M 50V
C6254	CK1A474KLZBNG	CERAMIC 0.47U K 10V
C6255	CK0J475KLZBNG	CERAMIC 4.7U K 6.3V
C6256	CK1H123KLZBNG	CERAMIC 0.012U K 50V
C6257	CK1H562KLZBNG	CERAMIC 5600P K 50V
C6258	CK0J475KLZBNG	CERAMIC 4.7U K 6.3V
C6259	CK0J475KLZBNG	CERAMIC 4.7U K 6.3V
C6260	CK0J475KLZBNG	CERAMIC 4.7U K 6.3V
C6261	CK1H272KLZBNG	CERAMIC 2700P K 50V
C6262	CK1H473KLZBNG	CERAMIC 0.047U K 50V
C6263	CT1A3R3KDRANG	TA-SOLID 3.3U K 10V
C6264	CK1H472KLZBNG	CERAMIC 4700P K 50V
C6266	CK0J475KLZBNG	CERAMIC 4.7U K 6.3V
C6267	CK1A105ZLZFNG	CERAMIC 1U Z 10V
C6268	CT1A100KDRANG	TA-SOLID 10U K 10V
C6271	CEXLB1H100VDN	ELECT 10U M 50V
C6271	CEXLB1H100WAN	ELECT 10U M 50V
C6272	CK1H104ZLZFNG	CERAMIC 0.1U Z 50V
C6273	CK1H104ZLZFNG	CERAMIC 0.1U Z 50V
C6274	CEXLB1H100VDN	ELECT 10U M 50V
C6274	CEXLB1H100WAN	ELECT 10U M 50V
C6276	CK1H104ZLZFNG	CERAMIC 0.1U Z 50V
C6277	CEXLB1H100VDN	ELECT 10U M 50V
C6277	CEXLB1H100WAN	ELECT 10U M 50V
C6278	CK1A105ZLZFNG	CERAMIC 1U Z 10V
C6279	CK1H472KLZBNG	CERAMIC 4700P K 50V
C6281	CK1H104ZLZFNG	CERAMIC 0.1U Z 50V
C6282	CEXLB1H100VDN	ELECT 10U M 50V
C6282	CEXLB1H100WAN	ELECT 10U M 50V
C6283	CK1A105ZLZFNG	CERAMIC 1U Z 10V
C6284	CK1H472KLZBNG	CERAMIC 4700P K 50V
C6291	CEXLB1H4R7VDN	ELECT 4.7U M 50V
C6291	CEXLB1H4R7WAN	ELECT 4.7U M 50V
C6292	CEXLB1H4R7VDN	ELECT 4.7U M 50V
C6292	CEXLB1H4R7WAN	ELECT 4.7U M 50V
C6330	CEXLB1V470VDN	ELECT 47U M 35V
C6330	CEXLB1V470WAN	ELECT 47U M 35V
C6331	CK1H104ZLZFNG	CERAMIC 0.1U Z 50V
C6332	CK1H104ZLZFNG	CERAMIC 0.1U Z 50V
C6333	CK1H104ZLZFNG	CERAMIC 0.1U Z 50V
C6334	RGFR000ZTCANL	MT-GLAZE 0.000 ZA 1/10W

Schematic Location	Part No.	Description
C6335	CK1H103ZLZFNG	CERAMIC 0.01U Z 50V
C6336	CK1H103ZLZFNG	CERAMIC 0.01U Z 50V
C6337	RGFR000ZTCANL	MT-GLAZE 0.000 ZA 1/10W
C6338	CK0J475KLZBNG	CERAMIC 4.7U K 6.3V
C6339	CK0J475KLZBNG	CERAMIC 4.7U K 6.3V
C6340	CK1H104ZLZFNG	CERAMIC 0.1U Z 50V
C6341	CEXLB0J221VDN	ELECT 220U M 6.3V
C6341	CEXLB0J221WAN	ELECT 220U M 6.3V
C6344	CEXLB1C101VDN	ELECT 100U M 16V
C6344	CEXLB1C101WAN	ELECT 100U M 16V
C6354	CK1H104ZLZFNG	CERAMIC 0.1U Z 50V
C6355	CK1H104ZLZFNG	CERAMIC 0.1U Z 50V
C6361	CK1A105ZLZFNG	CERAMIC 1U Z 10V
C6362	CK1H104ZLZFNG	CERAMIC 0.1U Z 50V
C6363	CEXLB1H4R7VDN	ELECT 4.7U M 50V
C6363	CEXLB1H4R7WAN	ELECT 4.7U M 50V
C6364	CEXLB1C101VDN	ELECT 100U M 16V
C6364	CEXLB1C101WAN	ELECT 100U M 16V
C6365	CK1H104ZLZFNG	CERAMIC 0.1U Z 50V
C6367	CK1A105ZLZFNG	CERAMIC 1U Z 10V
C6565	CK0J475KLZBNG	CERAMIC 4.7U K 6.3V

DIODES

D801	DD1SS352----G	DIODE 1SS352-(TPH3)
	DD1SS355----G	DIODE 1SS355 TE-17
D802	DZUDZS6.2B--G	ZENER DIODE UDZS6.2B TE-17
D1600	DDD1FM3----G	DIODE D1FM3
D1602	DD1SS352----G	DIODE 1SS352-(TPH3)
	DD1SS355----G	DIODE 1SS355 TE-17
D1604	DZUDZS3.0B--G	ZD UDZS3.0B-TE-17
D1610	DZUDZS3.9B--G	ZD UDZS-TE-173.9B
D1620	DDD1FH3----G	DIODE D1FH3
D1621	DD1SS352----G	DIODE 1SS352-(TPH3)
	DD1SS355----G	DIODE 1SS355 TE-17
D1630	DDD1FH3----G	DIODE D1FH3
D1631	DD1SS352----G	DIODE 1SS352-(TPH3)
	DD1SS355----G	DIODE 1SS355 TE-17
D1640	DD1SS352----G	DIODE 1SS352-(TPH3)
	DD1SS355----G	DIODE 1SS355 TE-17
D1660	DDD1FM3----G	DIODE D1FM3
D1662	DD1SS352----G	DIODE 1SS352-(TPH3)
	DD1SS355----G	DIODE 1SS355 TE-17
D1663	DZUDZS3.6B--G	ZD UDZS-TE-173.6B
D1683	DD1SS352----G	DIODE 1SS352-(TPH3)
	DD1SS355----G	DIODE 1SS355 TE-17
D1902	DLSLR343MC3FN	LED SLR-343MC3F
D3216	DDRB551V-30-G	DIODE RB551V-30 TE-17
D6250	DD1SS355----G	DIODE 1SS355 TE-17

INTEGRATED CIRCUITS

IC001	QLA42032-E--N	IC LA42032-E
IC801	QXXAVC880---M	IC LC874164A-58S8-E

Schematic Location	Part No.	Description
IC802	QLE24C042M-EP	IC LE24C042M-TLM-E
	QXXAVC820---P	IC AT24C04N-10SU-1.8
	QXXAVC844---P	IC CAT24C04WI-GT3
	QXXGA0500017P	IC LE24C0411M-TLM-E-C
IC805	QTC7SH08FU--P	IC TC7SH08FU
IC806	QTC7SET08FU-P	IC TC7SET08FU
IC1201	QCD4052BNSR-P	IC CD4052BNSR
	QTC4052BF---P	IC TC4052BF-EL
IC1251	QCD4052BNSR-P	IC CD4052BNSR
	QTC4052BF---P	IC TC4052BF-EL
IC1600	QLA5774MPE--P	IC LA5774MP-DL-E
IC1610	QPQ070XNA1ZPP	IC PQ070XNA1ZPH
IC1620	QXXAVC830---P	IC PQ6CU12X2APQ
IC1630	QPQ1CZ41H2FPK	IC PQ1CZ41H2FPH
IC1640	QXXAVC692---P	IC PQ1LAX95MSPQ
IC1660	QLA5774MPE--P	IC LA5774MP-DL-E
IC3200	QNJW1142AV--P	IC NJW1142AV
IC5500	QXXAVC921---M	IC ZR39760HGCF-A1
IC5700	QXXAVC926---M	IC EDD2516AETA-5B-E
IC5750	QXXAVC948B--P	IC QXXAVC948B--P
	QXXAVC948A--P	IC QXXAVC948A--P
	QXXAVC948---P	IC QXXAVC948---P
IC5900	QM51957BFP--P	IC M51957BFP
IC6050	QPQ070XNA1ZPP	IC PQ070XNA1ZPH
IC6090	QPQ070XNA1ZPP	IC PQ070XNA1ZPH
IC6200	QXXAVC650---M	IC ISL98001CQZ-140
IC6250	QCXA2207N---P	IC CXA2207N-T6
IC6270	QXXAVC859---P	IC WM8738GED/RV
IC6301	QCD4052BNSR-P	IC CD4052BNSR
	QTC4052BF---P	IC TC4052BF-EL
IC6330	QCS4352-CZZ-P	IC CS4352-CZZ

COILS

L001	RGFR000ZTAANL	MT-GLAZE 0.000 ZA 1/10W
L002	RGFR000ZTAANL	MT-GLAZE 0.000 ZA 1/10W
L003	RGFR000ZTAANL	MT-GLAZE 0.000 ZA 1/10W
L004	RGFR000ZTAANL	MT-GLAZE 0.000 ZA 1/10W
L1000	RGFR000ZTAANL	MT-GLAZE 0.000 ZA 1/10W
L1201	1AV4L2FB3R3MG	INDUCTOR, 3.3U M
L1202	1AV4L2FB3R3MG	INDUCTOR, 3.3U M
L1600	RGFR000ZTAANL	MT-GLAZE 0.000 ZA 1/10W
L1601	RGFR000ZTAANL	MT-GLAZE 0.000 ZA 1/10W
L1603	1AV4L2WK150MM	INDUCTOR, 15U M
L1603	1LB4L26B1000N	INDUCTOR, 15UH
L1610	RGFR000ZTAANL	MT-GLAZE 0.000 ZA 1/10W
L1611	RGFR000ZTAANL	MT-GLAZE 0.000 ZA 1/10W
L1612	RGFR000ZTAANL	MT-GLAZE 0.000 ZA 1/10W
L1615	1LB4L26B0740G	INDUCTOR, 220 OHM
L1616	1LB4L26B0740G	INDUCTOR, 220 OHM
L1617	RGFR000ZTAANL	MT-GLAZE 0.000 ZA 1/10W
L1618	RGFR000ZTAANL	MT-GLAZE 0.000 ZA 1/10W
L1619	RGFR000ZTAANL	MT-GLAZE 0.000 ZA 1/10W
L1620	RGFR000ZTAANL	MT-GLAZE 0.000 ZA 1/10W
L1621	1AV4L2WK560MM	INDUCTOR, 56U M

Schematic Location	Part No.	Description
L1621	1LB4L26B1030N	INDUCTOR, 56UH
L1622	RGFR000ZTAANL	MT-GLAZE 0.000 ZA 1/10W
L1630	RGFR000ZTAANL	MT-GLAZE 0.000 ZA 1/10W
L1631	RGFR000ZTAANL	MT-GLAZE 0.000 ZA 1/10W
L1632	1AV4L2WK560MM	INDUCTOR, 56U M
L1632	1LB4L26B1030N	INDUCTOR, 56UH
L1640	RGFR000ZTAANL	MT-GLAZE 0.000 ZA 1/10W
L1656	RGFR000ZTAANL	MT-GLAZE 0.000 ZA 1/10W
L1657	RGFR000ZTAANL	MT-GLAZE 0.000 ZA 1/10W
L1658	RGFR000ZTAANL	MT-GLAZE 0.000 ZA 1/10W
L1659	RGFR000ZTAANL	MT-GLAZE 0.000 ZA 1/10W
L1660	RGFR000ZTAANL	MT-GLAZE 0.000 ZA 1/10W
L1661	RGFR000ZTAANL	MT-GLAZE 0.000 ZA 1/10W
L1663	1AV4L2WK470MM	INDUCTOR, 47U M
L1663	1LB4L26B1020N	INDUCTOR, 47UH
L1665	RGFR000ZTAANL	MT-GLAZE 0.000 ZA 1/10W
L1666	RGFR000ZTAANL	MT-GLAZE 0.000 ZA 1/10W
L1669	RGFR000ZTAANL	MT-GLAZE 0.000 ZA 1/10W
L1670	RGFR000ZTAANL	MT-GLAZE 0.000 ZA 1/10W
L1672	RGFR000ZTAANL	MT-GLAZE 0.000 ZA 1/10W
L1675	RGFR000ZTAANL	MT-GLAZE 0.000 ZA 1/10W
L1676	RGFR000ZTAANL	MT-GLAZE 0.000 ZA 1/10W
L1686	RGFR000ZTAANL	MT-GLAZE 0.000 ZA 1/10W
L1687	RGFR000ZTAANL	MT-GLAZE 0.000 ZA 1/10W
L1688	RGFR000ZTAANL	MT-GLAZE 0.000 ZA 1/10W
L1689	RGFR000ZTAANL	MT-GLAZE 0.000 ZA 1/10W
L1690	RGFR000ZTAANL	MT-GLAZE 0.000 ZA 1/10W
L1691	RGFR000ZTAANL	MT-GLAZE 0.000 ZA 1/10W
L1701	RGFR000ZTAANL	MT-GLAZE 0.000 ZA 1/10W
L1704	RGFR000ZTAANL	MT-GLAZE 0.000 ZA 1/10W
L1705	RGFR000ZTAANL	MT-GLAZE 0.000 ZA 1/10W
L1706	RGFR000ZTAANL	MT-GLAZE 0.000 ZA 1/10W
L1707	RGFR000ZTAANL	MT-GLAZE 0.000 ZA 1/10W
L1800	1AV4L2FB3R3MG	INDUCTOR, 3.3U M
L1802	1AV4L2FB3R3MG	INDUCTOR, 3.3U M
L1803	RGFR000ZTAANL	MT-GLAZE 0.000 ZA 1/10W
L1901	1AV4L2B95R6KN	INDUCTOR, 5.6U K
L1901	1AV4L2GU5R6KN	INDUCTOR, 5.6U K
L2001	RGFR000ZTAANL	MT-GLAZE 0.000 ZA 1/10W
L2002	RGFR000ZTAANL	MT-GLAZE 0.000 ZA 1/10W
L2003	RGFR000ZTAANL	MT-GLAZE 0.000 ZA 1/10W
L2004	RGFR000ZTAANL	MT-GLAZE 0.000 ZA 1/10W
L2006	RGFR000ZTAANL	MT-GLAZE 0.000 ZA 1/10W
L2007	RGFR000ZTAANL	MT-GLAZE 0.000 ZA 1/10W
L2009	RGFR000ZTAANL	MT-GLAZE 0.000 ZA 1/10W
L2011	RGFR000ZTAANL	MT-GLAZE 0.000 ZA 1/10W
L2012	RGFR000ZTAANL	MT-GLAZE 0.000 ZA 1/10W
L2014	RGFR000ZTAANL	MT-GLAZE 0.000 ZA 1/10W
L2015	RGFR000ZTAANL	MT-GLAZE 0.000 ZA 1/10W
L2016	RGFR000ZTAANL	MT-GLAZE 0.000 ZA 1/10W
L2017	RGFR000ZTAANL	MT-GLAZE 0.000 ZA 1/10W
L5500	RGFR000ZTAANL	MT-GLAZE 0.000 ZA 1/10W
L5506	RGFR000ZTAANL	MT-GLAZE 0.000 ZA 1/10W
L5508	RGFR000ZTAANL	MT-GLAZE 0.000 ZA 1/10W

Schematic Location	Part No.	Description
L5510	1LB4L26B0740G	INDUCTOR, 220 OHM
L5511	RGFR000ZTAANL	MT-GLAZE 0.000 ZA 1/10W
L5512	RGFR000ZTAANL	MT-GLAZE 0.000 ZA 1/10W
L5513	RGFR000ZTAANL	MT-GLAZE 0.000 ZA 1/10W
L5514	RGFR000ZTAANL	MT-GLAZE 0.000 ZA 1/10W
L5516	RGFR000ZTAANL	MT-GLAZE 0.000 ZA 1/10W
L5545	1AV4L2WK150MN	INDUCTOR, 15U M
L5545	1LB4L26B1000N	INDUCTOR, 15UH
L5553	RGFR000ZTAANL	MT-GLAZE 0.000 ZA 1/10W
L5565	RGFR000ZTAANL	MT-GLAZE 0.000 ZA 1/10W
L5566	RGFR000ZTAANL	MT-GLAZE 0.000 ZA 1/10W
L5750	RGFR000ZTAANL	MT-GLAZE 0.000 ZA 1/10W
L5800	RGFR000ZTAANL	MT-GLAZE 0.000 ZA 1/10W
L5801	1AV4L2GA150JG	INDUCTOR, 15U J
L5802	1AV4L2GA150JG	INDUCTOR, 15U J
L6050	1LB4L26B0740G	INDUCTOR, 220 OHM
L6051	RGFR000ZTAANL	MT-GLAZE 0.000 ZA 1/10W
L6052	RGFR000ZTAANL	MT-GLAZE 0.000 ZA 1/10W
L6091	RGFR000ZTAANL	MT-GLAZE 0.000 ZA 1/10W
L6100	1AV4L2GAR22JG	INDUCTOR, 0.22U J
L6101	1LB4L26B0740G	INDUCTOR, 220 OHM
L6120	1AV4L26B1940G	INDUCTOR, 120 OHM
L6120	1LB4L26B0700G	INDUCTOR, 120 OHM
L6122	1AV4L26B1940G	INDUCTOR, 120 OHM
L6122	1LB4L26B0700G	INDUCTOR, 120 OHM
L6150	RGFR000ZTAANL	MT-GLAZE 0.000 ZA 1/10W
L6151	RGFR000ZTAANL	MT-GLAZE 0.000 ZA 1/10W
L6153	RGFR000ZTAANL	MT-GLAZE 0.000 ZA 1/10W
L6154	RGFR000ZTAANL	MT-GLAZE 0.000 ZA 1/10W
L6155	RGFR000ZTAANL	MT-GLAZE 0.000 ZA 1/10W
L6157	RGFR000ZTAANL	MT-GLAZE 0.000 ZA 1/10W
L6159	RGFR000ZTAANL	MT-GLAZE 0.000 ZA 1/10W
L6161	RGFR000ZTAANL	MT-GLAZE 0.000 ZA 1/10W
L6162	RGFR000ZTAANL	MT-GLAZE 0.000 ZA 1/10W
L6168	RGFR000ZTAANL	MT-GLAZE 0.000 ZA 1/10W
L6169	RGFR000ZTAANL	MT-GLAZE 0.000 ZA 1/10W
L6170	1AV4L2FB3R3MG	INDUCTOR, 3.3U M
L6171	1AV4L2FB3R3MG	INDUCTOR, 3.3U M
L6172	1AV4L2FB3R3MG	INDUCTOR, 3.3U M
L6174	RGFR000ZTAANL	MT-GLAZE 0.000 ZA 1/10W
L6176	RGFR000ZTAANL	MT-GLAZE 0.000 ZA 1/10W
L6178	1AV4L26B1940G	INDUCTOR, 120 OHM
L6178	1LB4L26B0700G	INDUCTOR, 120 OHM
L6179	1AV4L26B1940G	INDUCTOR, 120 OHM
L6179	1LB4L26B0700G	INDUCTOR, 120 OHM
L6188	RGFR000ZTAANL	MT-GLAZE 0.000 ZA 1/10W
L6189	RGFR000ZTAANL	MT-GLAZE 0.000 ZA 1/10W
L6201	RGFR000ZTAANL	MT-GLAZE 0.000 ZA 1/10W
L6202	RGFR000ZTAANL	MT-GLAZE 0.000 ZA 1/10W
L6203	RGFR000ZTAANL	MT-GLAZE 0.000 ZA 1/10W
L6204	RGFR000ZTAANL	MT-GLAZE 0.000 ZA 1/10W
L6206	RGFR000ZTAANL	MT-GLAZE 0.000 ZA 1/10W
L6220	RGFR000ZTAANL	MT-GLAZE 0.000 ZA 1/10W
L6221	RGFR000ZTAANL	MT-GLAZE 0.000 ZA 1/10W

Schematic Location	Part No.	Description
L6222	RGFR000ZTAANL	MT-GLAZE 0.000 ZA 1/10W
L6223	RGFR000ZTAANL	MT-GLAZE 0.000 ZA 1/10W
L6224	RGFR000ZTAANL	MT-GLAZE 0.000 ZA 1/10W
L6225	RGFR000ZTAANL	MT-GLAZE 0.000 ZA 1/10W
L6226	RGFR000ZTAANL	MT-GLAZE 0.000 ZA 1/10W
L6227	RGFR000ZTAANL	MT-GLAZE 0.000 ZA 1/10W
L6250	RGFR000ZTAANL	MT-GLAZE 0.000 ZA 1/10W
L6270	RGFR000ZTAANL	MT-GLAZE 0.000 ZA 1/10W
L6271	RGFR000ZTAANL	MT-GLAZE 0.000 ZA 1/10W
L6277	RGFR000ZTAANL	MT-GLAZE 0.000 ZA 1/10W
L6279	RGFR000ZTAANL	MT-GLAZE 0.000 ZA 1/10W
L6282	RGFR000ZTAANL	MT-GLAZE 0.000 ZA 1/10W
L6332	RGFR000ZTAANL	MT-GLAZE 0.000 ZA 1/10W
L6333	RGFR000ZTAANL	MT-GLAZE 0.000 ZA 1/10W
L6334	RGFR000ZTAANL	MT-GLAZE 0.000 ZA 1/10W
L6335	RGFR000ZTAANL	MT-GLAZE 0.000 ZA 1/10W
L6354	RGFR000ZTAANL	MT-GLAZE 0.000 ZA 1/10W
L6355	RGFR000ZTAANL	MT-GLAZE 0.000 ZA 1/10W
L6357	RGFR000ZTAANL	MT-GLAZE 0.000 ZA 1/10W
L6358	1AV4L3EK201-G	IMPEDANCE, 200 OHM -
L6359	1AV4L3EK201-G	IMPEDANCE, 200 OHM -
L6360	1AV4L3EK201-G	IMPEDANCE, 200 OHM -
L6393	RGFR000ZTAANL	MT-GLAZE 0.000 ZA 1/10W
L6394	RGFR000ZTAANL	MT-GLAZE 0.000 ZA 1/10W
L6395	RGFR000ZTAANL	MT-GLAZE 0.000 ZA 1/10W
L6396	RGFR000ZTAANL	MT-GLAZE 0.000 ZA 1/10W
L6550	RGFR000ZTAANL	MT-GLAZE 0.000 ZA 1/10W
L6551	RGFR000ZTAANL	MT-GLAZE 0.000 ZA 1/10W
L6552	RGFR000ZTAANL	MT-GLAZE 0.000 ZA 1/10W
L6555	RGFR000ZTAANL	MT-GLAZE 0.000 ZA 1/10W
L6556	RGFR000ZTAANL	MT-GLAZE 0.000 ZA 1/10W
L6557	RGFR000ZTAANL	MT-GLAZE 0.000 ZA 1/10W
L6558	RGFR000ZTAANL	MT-GLAZE 0.000 ZA 1/10W
L6559	RGFR000ZTAANL	MT-GLAZE 0.000 ZA 1/10W
L6566	RGFR000ZTAANL	MT-GLAZE 0.000 ZA 1/10W
L6567	RGFR000ZTAANL	MT-GLAZE 0.000 ZA 1/10W
L6568	RGFR000ZTAANL	MT-GLAZE 0.000 ZA 1/10W
L6569	RGFR000ZTAANL	MT-GLAZE 0.000 ZA 1/10W
L6701	RGFR000ZTAANL	MT-GLAZE 0.000 ZA 1/10W

TRANSISTORS

Q101	T2SC2412K-R-P	TR 2SC2412K-T-96-R
Q101	T2SC2412K-S-P	TR 2SC2412K-T-96-S
Q101	T2SC2812-L6-P	TR 2SC2812-L6-TB
Q101	T2SC2812-L7-P	TR 2SC2812-L7-TB
Q101	T2SC2812N-L6P	TR 2SC2812N-L6-TB
Q101	T2SC3928A1R-P	TR 2SC3928A1R
Q101	T2SC3928A1S-P	TR 2SC3928A1S
Q801	T2SC2412K-R-P	TR 2SC2412K-T-96-R
Q801	T2SC2412K-S-P	TR 2SC2412K-T-96-S
Q801	T2SC2812-L6-P	TR 2SC2812-L6-TB
Q801	T2SC2812-L7-P	TR 2SC2812-L7-TB
Q801	T2SC2812N-L6P	TR 2SC2812N-L6-TB
Q801	T2SC3928A1R-P	TR 2SC3928A1R

Schematic Location	Part No.	Description
Q801	T2SC3928A1S-P	TR 2SC3928A1S
Q803	T2SC2412K-R-P	TR 2SC2412K-T-96-R
Q803	T2SC2412K-S-P	TR 2SC2412K-T-96-S
Q803	T2SC2812-L6-P	TR 2SC2812-L6-TB
Q803	T2SC2812-L7-P	TR 2SC2812-L7-TB
Q803	T2SC2812N-L6P	TR 2SC2812N-L6-TB
Q803	T2SC3928A1R-P	TR 2SC3928A1R
Q803	T2SC3928A1S-P	TR 2SC3928A1S
Q804	T2SA1037AK-RP	TR 2SA1037AK T146 R
Q804	T2SA1037AK-SP	TR 2SA1037AK T146 S
Q804	T2SA1037K-R-P	TR 2SA1037K-T-96-R
Q804	T2SA1037K-S-P	TR 2SA1037K-T-96-S
Q804	T2SA1179-M6-P	TR 2SA1179-M6
Q804	T2SA1179-M7-P	TR 2SA1179-M7-TB
Q804	T2SA1179N-M6P	TR 2SA1179N-M6-TB
Q804	T2SA1235A1E-P	TR 2SA1235A1E
Q804	T2SA1235A1F-P	TR 2SA1235A1F
Q1006	T2SC2412K-R-P	TR 2SC2412K-T-96-R
Q1006	T2SC2412K-S-P	TR 2SC2412K-T-96-S
Q1006	T2SC2812-L6-P	TR 2SC2812-L6-TB
Q1006	T2SC2812-L7-P	TR 2SC2812-L7-TB
Q1006	T2SC2812N-L6P	TR 2SC2812N-L6-TB
Q1006	T2SC3928A1R-P	TR 2SC3928A1R
Q1006	T2SC3928A1S-P	TR 2SC3928A1S
Q1007	T2SC2412K-R-P	TR 2SC2412K-T-96-R
Q1007	T2SC2412K-S-P	TR 2SC2412K-T-96-S
Q1007	T2SC2812-L6-P	TR 2SC2812-L6-TB
Q1007	T2SC2812-L7-P	TR 2SC2812-L7-TB
Q1007	T2SC2812N-L6P	TR 2SC2812N-L6-TB
Q1007	T2SC3928A1R-P	TR 2SC3928A1R
Q1007	T2SC3928A1S-P	TR 2SC3928A1S
Q1200	T2SC2412K-R-P	TR 2SC2412K-T-96-R
Q1200	T2SC2412K-S-P	TR 2SC2412K-T-96-S
Q1200	T2SC2812-L6-P	TR 2SC2812-L6-TB
Q1200	T2SC2812-L7-P	TR 2SC2812-L7-TB
Q1200	T2SC2812N-L6P	TR 2SC2812N-L6-TB
Q1200	T2SC3928A1R-P	TR 2SC3928A1R
Q1200	T2SC3928A1S-P	TR 2SC3928A1S
Q1201	T2SC2412K-R-P	TR 2SC2412K-T-96-R
Q1201	T2SC2412K-S-P	TR 2SC2412K-T-96-S
Q1201	T2SC2812-L6-P	TR 2SC2812-L6-TB
Q1201	T2SC2812-L7-P	TR 2SC2812-L7-TB
Q1201	T2SC2812N-L6P	TR 2SC2812N-L6-TB
Q1201	T2SC3928A1R-P	TR 2SC3928A1R
Q1201	T2SC3928A1S-P	TR 2SC3928A1S
Q1202	T2SC2412K-R-P	TR 2SC2412K-T-96-R
Q1202	T2SC2412K-S-P	TR 2SC2412K-T-96-S
Q1202	T2SC2812-L6-P	TR 2SC2812-L6-TB
Q1202	T2SC2812-L7-P	TR 2SC2812-L7-TB
Q1202	T2SC2812N-L6P	TR 2SC2812N-L6-TB
Q1202	T2SC3928A1R-P	TR 2SC3928A1R
Q1202	T2SC3928A1S-P	TR 2SC3928A1S
Q1203	T2SC2412K-R-P	TR 2SC2412K-T-96-R
Q1203	T2SC2412K-S-P	TR 2SC2412K-T-96-S

Schematic Location	Part No.	Description
Q1203	T2SC2812-L6-P	TR 2SC2812-L6-TB
Q1203	T2SC2812-L7-P	TR 2SC2812-L7-TB
Q1203	T2SC2812N-L6P	TR 2SC2812N-L6-TB
Q1203	T2SC3928A1R-P	TR 2SC3928A1R
Q1203	T2SC3928A1S-P	TR 2SC3928A1S
Q1251	T2SC2412K-R-P	TR 2SC2412K-T-96-R
Q1251	T2SC2412K-S-P	TR 2SC2412K-T-96-S
Q1251	T2SC2812-L6-P	TR 2SC2812-L6-TB
Q1251	T2SC2812-L7-P	TR 2SC2812-L7-TB
Q1251	T2SC2812N-L6P	TR 2SC2812N-L6-TB
Q1251	T2SC3928A1R-P	TR 2SC3928A1R
Q1251	T2SC3928A1S-P	TR 2SC3928A1S
Q1252	T2SC2412K-R-P	TR 2SC2412K-T-96-R
Q1252	T2SC2412K-S-P	TR 2SC2412K-T-96-S
Q1252	T2SC2812-L6-P	TR 2SC2812-L6-TB
Q1252	T2SC2812-L7-P	TR 2SC2812-L7-TB
Q1252	T2SC2812N-L6P	TR 2SC2812N-L6-TB
Q1252	T2SC3928A1R-P	TR 2SC3928A1R
Q1252	T2SC3928A1S-P	TR 2SC3928A1S
Q1261	T2SC2412K-R-P	TR 2SC2412K-T-96-R
Q1261	T2SC2412K-S-P	TR 2SC2412K-T-96-S
Q1261	T2SC2812-L6-P	TR 2SC2812-L6-TB
Q1261	T2SC2812-L7-P	TR 2SC2812-L7-TB
Q1261	T2SC2812N-L6P	TR 2SC2812N-L6-TB
Q1261	T2SC3928A1R-P	TR 2SC3928A1R
Q1261	T2SC3928A1S-P	TR 2SC3928A1S
Q1262	T2SC2412K-R-P	TR 2SC2412K-T-96-R
Q1262	T2SC2412K-S-P	TR 2SC2412K-T-96-S
Q1262	T2SC2812-L6-P	TR 2SC2812-L6-TB
Q1262	T2SC2812-L7-P	TR 2SC2812-L7-TB
Q1262	T2SC2812N-L6P	TR 2SC2812N-L6-TB
Q1262	T2SC3928A1R-P	TR 2SC3928A1R
Q1262	T2SC3928A1S-P	TR 2SC3928A1S
Q1600	T2SA1037AK-RP	TR 2SA1037AK T146 R
Q1600	T2SA1037AK-SP	TR 2SA1037AK T146 S
Q1600	T2SA1037K-R-P	TR 2SA1037K-T-96-R
Q1600	T2SA1037K-S-P	TR 2SA1037K-T-96-S
Q1600	T2SA1179-M6-P	TR 2SA1179-M6
Q1600	T2SA1179-M7-P	TR 2SA1179-M7-TB
Q1600	T2SA1179N-M6P	TR 2SA1179N-M6-TB
Q1600	T2SA1235A1E-P	TR 2SA1235A1E
Q1600	T2SA1235A1F-P	TR 2SA1235A1F
Q1601	T2SC2412K-R-P	TR 2SC2412K-T-96-R
Q1601	T2SC2412K-S-P	TR 2SC2412K-T-96-S
Q1601	T2SC2812-L6-P	TR 2SC2812-L6-TB
Q1601	T2SC2812-L7-P	TR 2SC2812-L7-TB
Q1601	T2SC2812N-L6P	TR 2SC2812N-L6-TB
Q1601	T2SC3928A1R-P	TR 2SC3928A1R
Q1601	T2SC3928A1S-P	TR 2SC3928A1S
Q1603	T2SC2412K-R-P	TR 2SC2412K-T-96-R
Q1603	T2SC2412K-S-P	TR 2SC2412K-T-96-S
Q1603	T2SC2812-L6-P	TR 2SC2812-L6-TB
Q1603	T2SC2812-L7-P	TR 2SC2812-L7-TB
Q1603	T2SC2812N-L6P	TR 2SC2812N-L6-TB

Schematic Location	Part No.	Description
Q1603	T2SC3928A1R-P	TR 2SC3928A1R
Q1603	T2SC3928A1S-P	TR 2SC3928A1S
Q1605	T2SC2412K-R-P	TR 2SC2412K-T-96-R
Q1605	T2SC2412K-S-P	TR 2SC2412K-T-96-S
Q1605	T2SC2812-L6-P	TR 2SC2812-L6-TB
Q1605	T2SC2812-L7-P	TR 2SC2812-L7-TB
Q1605	T2SC2812N-L6P	TR 2SC2812N-L6-TB
Q1605	T2SC3928A1R-P	TR 2SC3928A1R
Q1605	T2SC3928A1S-P	TR 2SC3928A1S
Q1606	T2SC2412K-R-P	TR 2SC2412K-T-96-R
Q1606	T2SC2412K-S-P	TR 2SC2412K-T-96-S
Q1606	T2SC2812-L6-P	TR 2SC2812-L6-TB
Q1606	T2SC2812-L7-P	TR 2SC2812-L7-TB
Q1606	T2SC2812N-L6P	TR 2SC2812N-L6-TB
Q1606	T2SC3928A1R-P	TR 2SC3928A1R
Q1606	T2SC3928A1S-P	TR 2SC3928A1S
Q1661	T2SA1037AK-RP	TR 2SA1037AK T146 R
Q1661	T2SA1037AK-SP	TR 2SA1037AK T146 S
Q1661	T2SA1037K-R-P	TR 2SA1037K-T-96-R
Q1661	T2SA1037K-S-P	TR 2SA1037K-T-96-S
Q1661	T2SA1179-M6-P	TR 2SA1179-M6
Q1661	T2SA1179-M7-P	TR 2SA1179-M7-TB
Q1661	T2SA1179N-M6P	TR 2SA1179N-M6-TB
Q1661	T2SA1235A1E-P	TR 2SA1235A1E
Q1661	T2SA1235A1F-P	TR 2SA1235A1F
Q1804	T2SC2412K-R-P	TR 2SC2412K-T-96-R
Q1804	T2SC2412K-S-P	TR 2SC2412K-T-96-S
Q1804	T2SC2812-L6-P	TR 2SC2812-L6-TB
Q1804	T2SC2812-L7-P	TR 2SC2812-L7-TB
Q1804	T2SC2812N-L6P	TR 2SC2812N-L6-TB
Q1804	T2SC3928A1R-P	TR 2SC3928A1R
Q1804	T2SC3928A1S-P	TR 2SC3928A1S
Q1871	T2SC2412K-R-P	TR 2SC2412K-T-96-R
Q1871	T2SC2412K-S-P	TR 2SC2412K-T-96-S
Q1871	T2SC2812-L6-P	TR 2SC2812-L6-TB
Q1871	T2SC2812-L7-P	TR 2SC2812-L7-TB
Q1871	T2SC2812N-L6P	TR 2SC2812N-L6-TB
Q1871	T2SC3928A1R-P	TR 2SC3928A1R
Q1871	T2SC3928A1S-P	TR 2SC3928A1S
Q5545	T2SC2412K-R-P	TR 2SC2412K-T-96-R
Q5545	T2SC2412K-S-P	TR 2SC2412K-T-96-S
Q5545	T2SC2812-L6-P	TR 2SC2812-L6-TB
Q5545	T2SC2812-L7-P	TR 2SC2812-L7-TB
Q5545	T2SC2812N-L6P	TR 2SC2812N-L6-TB
Q5545	T2SC3928A1R-P	TR 2SC3928A1R
Q5545	T2SC3928A1S-P	TR 2SC3928A1S
Q5801	T2SC2412K-R-P	TR 2SC2412K-T-96-R
Q5801	T2SC2412K-S-P	TR 2SC2412K-T-96-S
Q5801	T2SC2812-L6-P	TR 2SC2812-L6-TB
Q5801	T2SC2812-L7-P	TR 2SC2812-L7-TB
Q5801	T2SC2812N-L6P	TR 2SC2812N-L6-TB
Q5801	T2SC3928A1R-P	TR 2SC3928A1R
Q5801	T2SC3928A1S-P	TR 2SC3928A1S
Q5802	T2SA1037AK-RP	TR 2SA1037AK T146 R
Q5802	T2SA1037AK-SP	TR 2SA1037AK T146 S

Schematic Location	Part No.	Description
Q5802	T2SA1037AK-SP	TR 2SA1037AK T146 S
Q5802	T2SA1037K-R-P	TR 2SA1037K-T-96-R
Q5802	T2SA1037K-S-P	TR 2SA1037K-T-96-S
Q5802	T2SA1179-M6-P	TR 2SA1179-M6
Q5802	T2SA1179-M7-P	TR 2SA1179-M7-TB
Q5802	T2SA1179N-M6P	TR 2SA1179N-M6-TB
Q5802	T2SA1235A1E-P	TR 2SA1235A1E
Q5802	T2SA1235A1F-P	TR 2SA1235A1F
Q5803	T2SC2412K-R-P	TR 2SC2412K-T-96-R
Q5803	T2SC2412K-S-P	TR 2SC2412K-T-96-S
Q5803	T2SC2812-L6-P	TR 2SC2812-L6-TB
Q5803	T2SC2812-L7-P	TR 2SC2812-L7-TB
Q5803	T2SC2812N-L6P	TR 2SC2812N-L6-TB
Q5803	T2SC3928A1R-P	TR 2SC3928A1R
Q5803	T2SC3928A1S-P	TR 2SC3928A1S
Q5804	T2SA1037AK-RP	TR 2SA1037AK T146 R
Q5804	T2SA1037AK-SP	TR 2SA1037AK T146 S
Q5804	T2SA1037K-R-P	TR 2SA1037K-T-96-R
Q5804	T2SA1037K-S-P	TR 2SA1037K-T-96-S
Q5804	T2SA1179-M6-P	TR 2SA1179-M6
Q5804	T2SA1179-M7-P	TR 2SA1179-M7-TB
Q5804	T2SA1179N-M6P	TR 2SA1179N-M6-TB
Q5804	T2SA1235A1E-P	TR 2SA1235A1E
Q5804	T2SA1235A1F-P	TR 2SA1235A1F
Q5901	T2SC2412K-R-P	TR 2SC2412K-T-96-R
Q5901	T2SC2412K-S-P	TR 2SC2412K-T-96-S
Q5901	T2SC2812-L6-P	TR 2SC2812-L6-TB
Q5901	T2SC2812-L7-P	TR 2SC2812-L7-TB
Q5901	T2SC2812N-L6P	TR 2SC2812N-L6-TB
Q5901	T2SC3928A1R-P	TR 2SC3928A1R
Q5901	T2SC3928A1S-P	TR 2SC3928A1S
Q5902	T2SC2412K-R-P	TR 2SC2412K-T-96-R
Q5902	T2SC2412K-S-P	TR 2SC2412K-T-96-S
Q5902	T2SC2812-L6-P	TR 2SC2812-L6-TB
Q5902	T2SC2812-L7-P	TR 2SC2812-L7-TB
Q5902	T2SC2812N-L6P	TR 2SC2812N-L6-TB
Q5902	T2SC3928A1R-P	TR 2SC3928A1R
Q5902	T2SC3928A1S-P	TR 2SC3928A1S
Q6100	T2SC2412K-R-P	TR 2SC2412K-T-96-R
Q6100	T2SC2412K-S-P	TR 2SC2412K-T-96-S
Q6100	T2SC2812-L6-P	TR 2SC2812-L6-TB
Q6100	T2SC2812-L7-P	TR 2SC2812-L7-TB
Q6100	T2SC2812N-L6P	TR 2SC2812N-L6-TB
Q6100	T2SC3928A1R-P	TR 2SC3928A1R
Q6100	T2SC3928A1S-P	TR 2SC3928A1S
Q6101	T2SC2412K-R-P	TR 2SC2412K-T-96-R
Q6101	T2SC2412K-S-P	TR 2SC2412K-T-96-S
Q6101	T2SC2812-L6-P	TR 2SC2812-L6-TB
Q6101	T2SC2812-L7-P	TR 2SC2812-L7-TB
Q6101	T2SC2812N-L6P	TR 2SC2812N-L6-TB
Q6101	T2SC3928A1R-P	TR 2SC3928A1R
Q6101	T2SC3928A1S-P	TR 2SC3928A1S
Q6250	T2SA1037AK-RP	TR 2SA1037AK T146 R
Q6250	T2SA1037AK-SP	TR 2SA1037AK T146 S

Schematic Location	Part No.	Description
Q6250	T2SA1037K-R-P	TR 2SA1037K-T-96-R
Q6250	T2SA1037K-S-P	TR 2SA1037K-T-96-S
Q6250	T2SA1179-M6-P	TR 2SA1179-M6
Q6250	T2SA1179-M7-P	TR 2SA1179-M7-TB
Q6250	T2SA1179N-M6P	TR 2SA1179N-M6-TB
Q6250	T2SA1235A1E-P	TR 2SA1235A1E
Q6250	T2SA1235A1F-P	TR 2SA1235A1F
Q6251	T2SA1037AK-RP	TR 2SA1037AK T146 R
Q6251	T2SA1037AK-SP	TR 2SA1037AK T146 S
Q6251	T2SA1037K-R-P	TR 2SA1037K-T-96-R
Q6251	T2SA1037K-S-P	TR 2SA1037K-T-96-S
Q6251	T2SA1179-M6-P	TR 2SA1179-M6
Q6251	T2SA1179-M7-P	TR 2SA1179-M7-TB
Q6251	T2SA1179N-M6P	TR 2SA1179N-M6-TB
Q6251	T2SA1235A1E-P	TR 2SA1235A1E
Q6251	T2SA1235A1F-P	TR 2SA1235A1F
Q6354	T2SC2411K-Q-P	TR 2SC2411K-T146-Q
Q6360	T2SC2412K-R-P	TR 2SC2412K-T-96-R
Q6360	T2SC2412K-S-P	TR 2SC2412K-T-96-S
Q6360	T2SC2812-L6-P	TR 2SC2812-L6-TB
Q6360	T2SC2812-L7-P	TR 2SC2812-L7-TB
Q6360	T2SC2812N-L6P	TR 2SC2812N-L6-TB
Q6360	T2SC3928A1R-P	TR 2SC3928A1R
Q6360	T2SC3928A1S-P	TR 2SC3928A1S
Q6362	T2SC2412K-R-P	TR 2SC2412K-T-96-R
Q6362	T2SC2412K-S-P	TR 2SC2412K-T-96-S
Q6362	T2SC2812-L6-P	TR 2SC2812-L6-TB
Q6362	T2SC2812-L7-P	TR 2SC2812-L7-TB
Q6362	T2SC2812N-L6P	TR 2SC2812N-L6-TB
Q6362	T2SC3928A1R-P	TR 2SC3928A1R
Q6362	T2SC3928A1S-P	TR 2SC3928A1S
Q6363	TMCH6306----P	TR MCH6306-TL
Q6365	T2SA1037AK-RP	TR 2SA1037AK T146 R
Q6365	T2SA1037AK-SP	TR 2SA1037AK T146 S
Q6365	T2SA1037K-R-P	TR 2SA1037K-T-96-R
Q6365	T2SA1037K-S-P	TR 2SA1037K-T-96-S
Q6365	T2SA1179-M6-P	TR 2SA1179-M6
Q6365	T2SA1179-M7-P	TR 2SA1179-M7-TB
Q6365	T2SA1179N-M6P	TR 2SA1179N-M6-TB
Q6365	T2SA1235A1E-P	TR 2SA1235A1E
Q6365	T2SA1235A1F-P	TR 2SA1235A1F

RESISTORS

RB5571	1AV4R1D31504G	R-NETWORK 15X4 1/32W
RB5572	1AV4R1D31504G	R-NETWORK 15X4 1/32W
RB5573	1AV4R1D31504G	R-NETWORK 15X4 1/32W
RB5574	1AV4R1D31504G	R-NETWORK 15X4 1/32W
RB5575	1AV4R1D31504G	R-NETWORK 15X4 1/32W
RB5576	1AV4R1D31504G	R-NETWORK 15X4 1/32W
RB5577	1AV4R1D31504G	R-NETWORK 15X4 1/32W
RB5578	1AV4R1D31504G	R-NETWORK 15X4 1/32W
RB5583	1AV4R1D31504G	R-NETWORK 15X4 1/32W
RB6201	1AV4R1D33304G	R-NETWORK 33X4 1/32W

Schematic Location	Part No.	Description
RB6202	1AV4R1D33304G	R-NETWORK 33X4 1/32W
RB6203	1AV4R1D33304G	R-NETWORK 33X4 1/32W
RB6204	1AV4R1D33304G	R-NETWORK 33X4 1/32W
RB6205	1AV4R1D33304G	R-NETWORK 33X4 1/32W
RB6206	1AV4R1D33304G	R-NETWORK 33X4 1/32W
RB6330	1AV4R1D31504G	R-NETWORK 15X4 1/32W
RB6355	1AV4R1D30R04G	R-NETWORK 0X4 1/32W
RB6356	1AV4R1D30R04G	R-NETWORK 0X4 1/32W
R001	RGF3301JTCANL	MT-GLAZE 3.3K JA 1/10W
R002	RGF3301JTCANL	MT-GLAZE 3.3K JA 1/10W
R003	RGF1801JTCANL	MT-GLAZE 1.8K JA 1/10W
R004	RGF1801JTCANL	MT-GLAZE 1.8K JA 1/10W
R005	RGAR000ZTDANL	MT-GLAZE 0.000 ZA 1/2W
R006	RGAR000ZTDANL	MT-GLAZE 0.000 ZA 1/2W
R008	RGF1002JTCANL	MT-GLAZE 10K JA 1/10W
R014	RGB2R20JTBANL	MT-GLAZE 2.2 JA 1/4W
R015	RGB2R20JTBANL	MT-GLAZE 2.2 JA 1/4W
R016	RGB2R20JTBANL	MT-GLAZE 2.2 JA 1/4W
R017	RGB2R20JTBANL	MT-GLAZE 2.2 JA 1/4W
R105	RGF47R0JTCANL	MT-GLAZE 47 JA 1/10W
R109	RGF4700JTCANL	MT-GLAZE 470 JA 1/10W
R110	RGFR000ZTCANL	MT-GLAZE 0.000 ZA 1/10W
R802	RGF4701JTCANL	MT-GLAZE 4.7K JA 1/10W
R803	RGF4701JTCANL	MT-GLAZE 4.7K JA 1/10W
R804	RGF1002JTCANL	MT-GLAZE 10K JA 1/10W
R807	RGF6801JTCANL	MT-GLAZE 6.8K JA 1/10W
R809	RGF4701JTCANL	MT-GLAZE 4.7K JA 1/10W
R812	RGF1000JTCANL	MT-GLAZE 100 JA 1/10W
R814	RGFR000ZTCANL	MT-GLAZE 0.000 ZA 1/10W
R815	RGF1000JTCANL	MT-GLAZE 100 JA 1/10W
R816	RGF1000JTCANL	MT-GLAZE 100 JA 1/10W
R817	RGF1004JTCANL	MT-GLAZE 1M JA 1/10W
R821	RGF1002JTCANL	MT-GLAZE 10K JA 1/10W
R822	RGF4701JTCANL	MT-GLAZE 4.7K JA 1/10W
R823	RGF1000JTCANL	MT-GLAZE 100 JA 1/10W
R824	RGF1000JTCANL	MT-GLAZE 100 JA 1/10W
R828	RGF4701JTCANL	MT-GLAZE 4.7K JA 1/10W
R829	RGF4701JTCANL	MT-GLAZE 4.7K JA 1/10W
R830	RGF1002JTCANL	MT-GLAZE 10K JA 1/10W
R831	RGF4702JTCANL	MT-GLAZE 47K JA 1/10W
R832	RGF4702JTCANL	MT-GLAZE 47K JA 1/10W
R833	RGF4701JTCANL	MT-GLAZE 4.7K JA 1/10W
R834	RGF4701JTCANL	MT-GLAZE 4.7K JA 1/10W
R838	RGF1000JTCANL	MT-GLAZE 100 JA 1/10W
R839	RGF1000JTCANL	MT-GLAZE 100 JA 1/10W
R840	RGF1000JTCANL	MT-GLAZE 100 JA 1/10W
R841	RGF1000JTCANL	MT-GLAZE 100 JA 1/10W
R842	RGF1000JTCANL	MT-GLAZE 100 JA 1/10W
R843	RGF1000JTCANL	MT-GLAZE 100 JA 1/10W
R844	RGF1000JTCANL	MT-GLAZE 100 JA 1/10W
R845	RGF1000JTCANL	MT-GLAZE 100 JA 1/10W
R846	RGF1000JTCANL	MT-GLAZE 100 JA 1/10W
R847	RGF4701JTCANL	MT-GLAZE 4.7K JA 1/10W

Schematic Location	Part No.	Description
R848	RGF4701JTCANL	MT-GLAZE 4.7K JA 1/10W
R849	RGF1003JTCANL	MT-GLAZE 100K JA 1/10W
R850	RGF1003JTCANL	MT-GLAZE 100K JA 1/10W
R851	RGF1003JTCANL	MT-GLAZE 100K JA 1/10W
R854	RGF4701JTCANL	MT-GLAZE 4.7K JA 1/10W
R855	RGF4701JTCANL	MT-GLAZE 4.7K JA 1/10W
R856	RGF4701JTCANL	MT-GLAZE 4.7K JA 1/10W
R857	RGF1003JTCANL	MT-GLAZE 100K JA 1/10W
R858	RGF4701JTCANL	MT-GLAZE 4.7K JA 1/10W
R859	RGF1002JTCANL	MT-GLAZE 10K JA 1/10W
R860	RGF1002JTCANL	MT-GLAZE 10K JA 1/10W
R861	RGF1002JTCANL	MT-GLAZE 10K JA 1/10W
R862	RGF1002JTCANL	MT-GLAZE 10K JA 1/10W
R863	RGF1000JTCANL	MT-GLAZE 100 JA 1/10W
R864	RGF1000JTCANL	MT-GLAZE 100 JA 1/10W
R865	RGF1000JTCANL	MT-GLAZE 100 JA 1/10W
R867	RGF1000JTCANL	MT-GLAZE 100 JA 1/10W
R868	RGF4701JTCANL	MT-GLAZE 4.7K JA 1/10W
R873	RGF4701JTCANL	MT-GLAZE 4.7K JA 1/10W
R874	RGF1000JTCANL	MT-GLAZE 100 JA 1/10W
R875	RGF1000JTCANL	MT-GLAZE 100 JA 1/10W
R883	RGFR000ZTCANL	MT-GLAZE 0.000 ZA 1/10W
R884	RGFR000ZTCANL	MT-GLAZE 0.000 ZA 1/10W
R885	RGFR000ZTCANL	MT-GLAZE 0.000 ZA 1/10W
R888	RGF1000JTCANL	MT-GLAZE 100 JA 1/10W
R889	RGF1004JTCANL	MT-GLAZE 1M JA 1/10W
R890	RGF4701JTCANL	MT-GLAZE 4.7K JA 1/10W
R891	RGFR000ZTCANL	MT-GLAZE 0.000 ZA 1/10W
R893	RGF4701JTCANL	MT-GLAZE 4.7K JA 1/10W
R895	RGF4703JTCANL	MT-GLAZE 470K JA 1/10W
R1000	RGF47R0JTCANL	MT-GLAZE 47 JA 1/10W
R1001	RGF75R0JTCANL	MT-GLAZE 75 JA 1/10W
R1002	RGF47R0JTCANL	MT-GLAZE 47 JA 1/10W
R1003	RGF75R0JTCANL	MT-GLAZE 75 JA 1/10W
R1004	RGF2200JTCANL	MT-GLAZE 220 JA 1/10W
R1005	RGF47R0JTCANL	MT-GLAZE 47 JA 1/10W
R1006	RGF75R0JTCANL	MT-GLAZE 75 JA 1/10W
R1007	RGF2203JTCANL	MT-GLAZE 220K JA 1/10W
R1008	RGF2203JTCANL	MT-GLAZE 220K JA 1/10W
R1009	RGF1000JTCANL	MT-GLAZE 100 JA 1/10W
R1010	RGF3303JTCANL	MT-GLAZE 330K JA 1/10W
R1011	RGF2203JTCANL	MT-GLAZE 220K JA 1/10W
R1012	RGF2203JTCANL	MT-GLAZE 220K JA 1/10W
R1013	RGF1000JTCANL	MT-GLAZE 100 JA 1/10W
R1014	RGF3303JTCANL	MT-GLAZE 330K JA 1/10W
R1016	RGFR000ZTCANL	MT-GLAZE 0.000 ZA 1/10W
R1019	RGF47R0JTCANL	MT-GLAZE 47 JA 1/10W
R1020	RGF75R0JTCANL	MT-GLAZE 75 JA 1/10W
R1025	RGF47R0JTCANL	MT-GLAZE 47 JA 1/10W
R1026	RGF75R0JTCANL	MT-GLAZE 75 JA 1/10W
R1031	RGF47R0JTCANL	MT-GLAZE 47 JA 1/10W
R1032	RGF75R0JTCANL	MT-GLAZE 75 JA 1/10W
R1037	RGF47R0JTCANL	MT-GLAZE 47 JA 1/10W
R1038	RGF75R0JTCANL	MT-GLAZE 75 JA 1/10W

Schematic Location	Part No.	Description
R1043	RGF47R0JTCANL	MT-GLAZE 47 JA 1/10W
R1044	RGF75R0JTCANL	MT-GLAZE 75 JA 1/10W
R1049	RGF47R0JTCANL	MT-GLAZE 47 JA 1/10W
R1050	RGF75R0JTCANL	MT-GLAZE 75 JA 1/10W
R1051	RGF4700JTCANL	MT-GLAZE 470 JA 1/10W
R1052	RGF1001JTCANL	MT-GLAZE 1K JA 1/10W
R1053	RGF1003JTCANL	MT-GLAZE 100K JA 1/10W
R1054	RGF4700JTCANL	MT-GLAZE 470 JA 1/10W
R1055	RGF1001JTCANL	MT-GLAZE 1K JA 1/10W
R1056	RGF1003JTCANL	MT-GLAZE 100K JA 1/10W
R1057	RGF2203JTCANL	MT-GLAZE 220K JA 1/10W
R1058	RGF2203JTCANL	MT-GLAZE 220K JA 1/10W
R1059	RGF1000JTCANL	MT-GLAZE 100 JA 1/10W
R1060	RGF3303JTCANL	MT-GLAZE 330K JA 1/10W
R1061	RGF2203JTCANL	MT-GLAZE 220K JA 1/10W
R1062	RGF2203JTCANL	MT-GLAZE 220K JA 1/10W
R1063	RGF1000JTCANL	MT-GLAZE 100 JA 1/10W
R1064	RGF3303JTCANL	MT-GLAZE 330K JA 1/10W
R1065	RGF2203JTCANL	MT-GLAZE 220K JA 1/10W
R1066	RGF2203JTCANL	MT-GLAZE 220K JA 1/10W
R1067	RGF1000JTCANL	MT-GLAZE 100 JA 1/10W
R1068	RGF3303JTCANL	MT-GLAZE 330K JA 1/10W
R1069	RGF2203JTCANL	MT-GLAZE 220K JA 1/10W
R1070	RGF2203JTCANL	MT-GLAZE 220K JA 1/10W
R1071	RGF1000JTCANL	MT-GLAZE 100 JA 1/10W
R1072	RGF3303JTCANL	MT-GLAZE 330K JA 1/10W
R1073	RGF75R0JTCANL	MT-GLAZE 75 JA 1/10W
R1074	RGF82R0JTCANL	MT-GLAZE 82 JA 1/10W
R1075	RGF82R0JTCANL	MT-GLAZE 82 JA 1/10W
R1200	RGF1001JTCANL	MT-GLAZE 1K JA 1/10W
R1201	RGF47R0JTCANL	MT-GLAZE 47 JA 1/10W
R1202	RGF1002JTCANL	MT-GLAZE 10K JA 1/10W
R1203	RGF1002JTCANL	MT-GLAZE 10K JA 1/10W
R1204	RGF1001JTCANL	MT-GLAZE 1K JA 1/10W
R1205	RGF1002JTCANL	MT-GLAZE 10K JA 1/10W
R1206	RGF1002JTCANL	MT-GLAZE 10K JA 1/10W
R1207	RGF1002JTCANL	MT-GLAZE 10K JA 1/10W
R1208	RGF1002JTCANL	MT-GLAZE 10K JA 1/10W
R1209	RGF47R0JTCANL	MT-GLAZE 47 JA 1/10W
R1210	RGF1002JTCANL	MT-GLAZE 10K JA 1/10W
R1211	RGF1002JTCANL	MT-GLAZE 10K JA 1/10W
R1212	RGFR000ZTCANL	MT-GLAZE 0.000 ZA 1/10W
R1253	RGF1001JTCANL	MT-GLAZE 1K JA 1/10W
R1254	RGF1002JTCANL	MT-GLAZE 10K JA 1/10W
R1255	RGF1002JTCANL	MT-GLAZE 10K JA 1/10W
R1256	RGF1002JTCANL	MT-GLAZE 10K JA 1/10W
R1257	RGF1002JTCANL	MT-GLAZE 10K JA 1/10W
R1261	RGF1001JTCANL	MT-GLAZE 1K JA 1/10W
R1262	RGFR000ZTCANL	MT-GLAZE 0.000 ZA 1/10W
R1263	RGF1001JTCANL	MT-GLAZE 1K JA 1/10W
R1264	RGFR000ZTCANL	MT-GLAZE 0.000 ZA 1/10W
R1265	RGFR000ZTCANL	MT-GLAZE 0.000 ZA 1/10W
R1266	RGF1001JTCANL	MT-GLAZE 1K JA 1/10W
R1267	RGFR000ZTCANL	MT-GLAZE 0.000 ZA 1/10W

Schematic Location	Part No.	Description
R1269	RGF1001JTCANL	MT-GLAZE 1K JA 1/10W
R1271	RGF1001JTCANL	MT-GLAZE 1K JA 1/10W
R1600	RGF3300FTCANL	MT-GLAZE 330 FA 1/10W
R1601	RGF1800FTCANL	MT-GLAZE 180 FA 1/10W
R1602	RGF1001FTCANL	MT-GLAZE 1K FA 1/10W
R1606	RGF1002JTCANL	MT-GLAZE 10K JA 1/10W
R1607	RGF1002JTCANL	MT-GLAZE 10K JA 1/10W
R1608	RGF1002JTCANL	MT-GLAZE 10K JA 1/10W
R1609	RGF47R0JTCANL	MT-GLAZE 47 JA 1/10W
R1611	RGF1002JTCANL	MT-GLAZE 10K JA 1/10W
R1612	RGF5600FTCANL	MT-GLAZE 560 FA 1/10W
R1614	RGF4700JTCANL	MT-GLAZE 470 JA 1/10W
R1615	RGF2202JTCANL	MT-GLAZE 22K JA 1/10W
R1616	RGF1002JTCANL	MT-GLAZE 10K JA 1/10W
R1617	RGF1501FTCANL	MT-GLAZE 1.5K FA 1/10W
R1618	RGF1201FTCANL	MT-GLAZE 1.2K FA 1/10W
R1619	RGF1002JTCANL	MT-GLAZE 10K JA 1/10W
R1620	RGF2702FTCANL	MT-GLAZE 27K FA 1/10W
R1621	RGF1002FTCANL	MT-GLAZE 10K FA 1/10W
R1622	RGF1201FTCANL	MT-GLAZE 1.2K FA 1/10W
R1623	RGF1203JTCANL	MT-GLAZE 120K JA 1/10W
R1624	RGF1002JTCANL	MT-GLAZE 10K JA 1/10W
R1625	RGF4702JTCANL	MT-GLAZE 47K JA 1/10W
R1626	RGF1202JTCANL	MT-GLAZE 12K JA 1/10W
R1630	RGF1501FTCANL	MT-GLAZE 1.5K FA 1/10W
R1631	RGF1501FTCANL	MT-GLAZE 1.5K FA 1/10W
R1632	RGF1001FTCANL	MT-GLAZE 1K FA 1/10W
R1640	RGF6801FTCANL	MT-GLAZE 6.8K FA 1/10W
R1641	RGF5602FTCANL	MT-GLAZE 56K FA 1/10W
R1642	RGF1002FTCANL	MT-GLAZE 10K FA 1/10W
R1646	RGFR000ZTCANL	MT-GLAZE 0.000 ZA 1/10W
R1647	1AV4L26B1940G	INDUCTOR, 120 OHM
R1647	1LB4L26B0700G	INDUCTOR, 120 OHM
R1648	1AV4L26B1940G	INDUCTOR, 120 OHM
R1648	1LB4L26B0700G	INDUCTOR, 120 OHM
R1649	RGF1002JTCANL	MT-GLAZE 10K JA 1/10W
R1656	RGFR000ZTAANL	MT-GLAZE 0.000 ZA 1/10W
R1657	RGF1002JTCANL	MT-GLAZE 10K JA 1/10W
R1658	RGF1002JTCANL	MT-GLAZE 10K JA 1/10W
R1660	RGF5600FTCANL	MT-GLAZE 560 FA 1/10W
R1664	RGF1201FTCANL	MT-GLAZE 1.2K FA 1/10W
R1665	RGF1001FTCANL	MT-GLAZE 1K FA 1/10W
R1666	RGF1002JTCANL	MT-GLAZE 10K JA 1/10W
R1667	RGF1001JTCANL	MT-GLAZE 1K JA 1/10W
R1668	RGF1002JTCANL	MT-GLAZE 10K JA 1/10W
R1673	RGFR000ZTCANL	MT-GLAZE 0.000 ZA 1/10W
R1674	RGF4701JTCANL	MT-GLAZE 4.7K JA 1/10W
R1675	RGF1001JTCANL	MT-GLAZE 1K JA 1/10W
△R1685	RGFR000ZTAANL	MT-GLAZE 0.000 ZA 1/10W
R1687	RGF3302JTCANL	MT-GLAZE 33K JA 1/10W
R1688	RGF2202JTCANL	MT-GLAZE 22K JA 1/10W
R1690	RGFR000ZTCANL	MT-GLAZE 0.000 ZA 1/10W
R1695	RGFR000ZTCANL	MT-GLAZE 0.000 ZA 1/10W
R1697	RGFR000ZTCANL	MT-GLAZE 0.000 ZA 1/10W

Schematic Location	Part No.	Description
R1698	RGFR000ZTCANL	MT-GLAZE 0.000 ZA 1/10W
R1699	RGFR000ZTCANL	MT-GLAZE 0.000 ZA 1/10W
R1800	RGF1000JTCANL	MT-GLAZE 100 JA 1/10W
R1802	RGF1000JTCANL	MT-GLAZE 100 JA 1/10W
R1803	RGF1000JTCANL	MT-GLAZE 100 JA 1/10W
R1806	RGF1000JTCANL	MT-GLAZE 100 JA 1/10W
R1807	RGF1000JTCANL	MT-GLAZE 100 JA 1/10W
R1808	RGF1000JTCANL	MT-GLAZE 100 JA 1/10W
R1809	RGF1000JTCANL	MT-GLAZE 100 JA 1/10W
R1827	RGF4701JTCANL	MT-GLAZE 4.7K JA 1/10W
R1828	RGF1000JTCANL	MT-GLAZE 100 JA 1/10W
R1829	RGF1000JTCANL	MT-GLAZE 100 JA 1/10W
R1830	RGF1000JTCANL	MT-GLAZE 100 JA 1/10W
R1831	RGF4701JTCANL	MT-GLAZE 4.7K JA 1/10W
R1832	RGF1002JTCANL	MT-GLAZE 10K JA 1/10W
R1835	RGFR000ZTCANL	MT-GLAZE 0.000 ZA 1/10W
R1838	RGFR000ZTCANL	MT-GLAZE 0.000 ZA 1/10W
R1852	RGF4702JTCANL	MT-GLAZE 47K JA 1/10W
R1855	RGFR000ZTCANL	MT-GLAZE 0.000 ZA 1/10W
R1857	RGFR000ZTCANL	MT-GLAZE 0.000 ZA 1/10W
R1859	RGFR000ZTCANL	MT-GLAZE 0.000 ZA 1/10W
R1861	RGFR000ZTCANL	MT-GLAZE 0.000 ZA 1/10W
R1871	RGF3300JTCANL	MT-GLAZE 330 JA 1/10W
R1872	RGF2202JTCANL	MT-GLAZE 22K JA 1/10W
R1874	RGFR000ZTCANL	MT-GLAZE 0.000 ZA 1/10W
R1901	RGF1001JTCANL	MT-GLAZE 1K JA 1/10W
R1902	RGF1001JTCANL	MT-GLAZE 1K JA 1/10W
R1903	RGF1002JTCANL	MT-GLAZE 10K JA 1/10W
R1904	RGF1801JTCANL	MT-GLAZE 1.8K JA 1/10W
R1905	RGF2201JTCANL	MT-GLAZE 2.2K JA 1/10W
R1906	RGF3901JTCANL	MT-GLAZE 3.9K JA 1/10W
R1907	RGF5601JTCANL	MT-GLAZE 5.6K JA 1/10W
R1909	RGF2200JTCANL	MT-GLAZE 220 JA 1/10W
R1910	RGF2200JTCANL	MT-GLAZE 220 JA 1/10W
R1911	RGF1001JTCANL	MT-GLAZE 1K JA 1/10W
R1912	RGFR000ZTCANL	MT-GLAZE 0.000 ZA 1/10W
R3200	RGF1000JTCANL	MT-GLAZE 100 JA 1/10W
R3201	RGF1000JTCANL	MT-GLAZE 100 JA 1/10W
R5504	RGFR000ZTAANL	MT-GLAZE 0.000 ZA 1/10W
R5507	RGFR000ZTCANL	MT-GLAZE 0.000 ZA 1/10W
R5508	RGFR000ZTCANL	MT-GLAZE 0.000 ZA 1/10W
R5509	RGF1000JTCANL	MT-GLAZE 100 JA 1/10W
R5510	RGF1000JTCANL	MT-GLAZE 100 JA 1/10W
R5513	RGFR000ZTCANL	MT-GLAZE 0.000 ZA 1/10W
R5514	RGFR000ZTCANL	MT-GLAZE 0.000 ZA 1/10W
R5515	RGF4701JTCANL	MT-GLAZE 4.7K JA 1/10W
R5516	RGF4701JTCANL	MT-GLAZE 4.7K JA 1/10W
R5517	RGFR000ZTCANL	MT-GLAZE 0.000 ZA 1/10W
R5518	RGF4701JTCANL	MT-GLAZE 4.7K JA 1/10W
R5519	RGF4701JTCANL	MT-GLAZE 4.7K JA 1/10W
R5520	RGFR000ZTCANL	MT-GLAZE 0.000 ZA 1/10W
R5521	RGF47R0JTCANL	MT-GLAZE 47 JA 1/10W
R5523	RGF4701JTCANL	MT-GLAZE 4.7K JA 1/10W
R5524	RGF1002JTCANL	MT-GLAZE 10K JA 1/10W

Schematic Location	Part No.	Description
R5525	RGF3900FTCANL	MT-GLAZE 390 FA 1/10W
R5527	RGF3302JTCANL	MT-GLAZE 33K JA 1/10W
R5528	RGF8200FTCANL	MT-GLAZE 820 FA 1/10W
R5529	RGFR000ZTCANL	MT-GLAZE 0.000 ZA 1/10W
R5532	RGF1501JTCANL	MT-GLAZE 1.5K JA 1/10W
R5538	RGF1000JTCANL	MT-GLAZE 100 JA 1/10W
R5540	RGF1000JTCANL	MT-GLAZE 100 JA 1/10W
R5542	RGF1000JTCANL	MT-GLAZE 100 JA 1/10W
R5545	RGF2201JTCANL	MT-GLAZE 2.2K JA 1/10W
R5546	RGF1002JTCANL	MT-GLAZE 10K JA 1/10W
R5547	RGF3301JTCANL	MT-GLAZE 3.3K JA 1/10W
R5548	RGF4701JTCANL	MT-GLAZE 4.7K JA 1/10W
R5549	RGF1502JTCANL	MT-GLAZE 15K JA 1/10W
R5550	RGF33R0JTCANL	MT-GLAZE 33 JA 1/10W
R5551	RGF33R0JTCANL	MT-GLAZE 33 JA 1/10W
R5552	RGF33R0JTCANL	MT-GLAZE 33 JA 1/10W
R5553	RGFR000ZTCANL	MT-GLAZE 0.000 ZA 1/10W
R5557	RGF4701JTCANL	MT-GLAZE 4.7K JA 1/10W
R5558	RGF4701JTCANL	MT-GLAZE 4.7K JA 1/10W
R5559	RGF47R0JTCANL	MT-GLAZE 47 JA 1/10W
R5560	RGF47R0JTCANL	MT-GLAZE 47 JA 1/10W
R5561	RGF4701JTCANL	MT-GLAZE 4.7K JA 1/10W
R5564	RGF1000JTCANL	MT-GLAZE 100 JA 1/10W
R5565	RGF47R0JTCANL	MT-GLAZE 47 JA 1/10W
R5566	RGF47R0JTCANL	MT-GLAZE 47 JA 1/10W
R5567	RGF47R0JTCANL	MT-GLAZE 47 JA 1/10W
R5568	RGF47R0JTCANL	MT-GLAZE 47 JA 1/10W
R5569	RGF4701JTCANL	MT-GLAZE 4.7K JA 1/10W
R5570	RGF4702JTCANL	MT-GLAZE 47K JA 1/10W
R5572	RGF15R0JTCANL	MT-GLAZE 15 JA 1/10W
R5573	RGF15R0JTCANL	MT-GLAZE 15 JA 1/10W
R5574	RGF15R0JTCANL	MT-GLAZE 15 JA 1/10W
R5575	RGF15R0JTCANL	MT-GLAZE 15 JA 1/10W
R5576	RGF15R0JTCANL	MT-GLAZE 15 JA 1/10W
R5577	RGF15R0JTCANL	MT-GLAZE 15 JA 1/10W
R5578	RGF4701JTCANL	MT-GLAZE 4.7K JA 1/10W
R5579	RGF4701JTCANL	MT-GLAZE 4.7K JA 1/10W
R5588	RGFR000ZTCANL	MT-GLAZE 0.000 ZA 1/10W
R5590	RGF1000JTCANL	MT-GLAZE 100 JA 1/10W
R5592	RGF1000JTCANL	MT-GLAZE 100 JA 1/10W
R5595	RGFR000ZTCANL	MT-GLAZE 0.000 ZA 1/10W
R5596	RGFR000ZTCANL	MT-GLAZE 0.000 ZA 1/10W
R5700	RGF1000JTCANL	MT-GLAZE 100 JA 1/10W
R5803	RGF1001JTCANL	MT-GLAZE 1K JA 1/10W
R5804	RGF6800JTCANL	MT-GLAZE 680 JA 1/10W
R5805	RGF6800JTCANL	MT-GLAZE 680 JA 1/10W
R5807	RGF6800JTCANL	MT-GLAZE 680 JA 1/10W
R5808	RGF47R0JTCANL	MT-GLAZE 47 JA 1/10W
R5809	RGF47R0JTCANL	MT-GLAZE 47 JA 1/10W
R5813	RGF1001JTCANL	MT-GLAZE 1K JA 1/10W
R5814	RGF6800JTCANL	MT-GLAZE 680 JA 1/10W
R5815	RGF6800JTCANL	MT-GLAZE 680 JA 1/10W
R5817	RGF6800JTCANL	MT-GLAZE 680 JA 1/10W
R5818	RGF47R0JTCANL	MT-GLAZE 47 JA 1/10W

Schematic Location	Part No.	Description
R5901	RGF1202JTCANL	MT-GLAZE 12K JA 1/10W
R5902	RGF1002JTCANL	MT-GLAZE 10K JA 1/10W
R5903	RGF4702JTCANL	MT-GLAZE 47K JA 1/10W
R5904	RGF4702JTCANL	MT-GLAZE 47K JA 1/10W
R5905	RGFR000ZTCANL	MT-GLAZE 0.000 ZA 1/10W
R5906	RGF1002JTCANL	MT-GLAZE 10K JA 1/10W
R5907	RGF1002JTCANL	MT-GLAZE 10K JA 1/10W
R5908	RGF2202JTCANL	MT-GLAZE 22K JA 1/10W
R5951	RGF1001JTCANL	MT-GLAZE 1K JA 1/10W
R5953	RGF1001JTCANL	MT-GLAZE 1K JA 1/10W
R5954	RGF4701JTCANL	MT-GLAZE 4.7K JA 1/10W
R5955	RGF1001JTCANL	MT-GLAZE 1K JA 1/10W
R5956	RGF1001JTCANL	MT-GLAZE 1K JA 1/10W
R5957	RGF1001JTCANL	MT-GLAZE 1K JA 1/10W
R5958	RGF1001JTCANL	MT-GLAZE 1K JA 1/10W
R5959	RGF1003JTCANL	MT-GLAZE 100K JA 1/10W
R5974	RGF1001JTCANL	MT-GLAZE 1K JA 1/10W
R5975	RGF1001JTCANL	MT-GLAZE 1K JA 1/10W
R5976	RGF1002JTCANL	MT-GLAZE 10K JA 1/10W
R6050	RGF5600FTCANL	MT-GLAZE 560 FA 1/10W
R6051	RGF1501FTCANL	MT-GLAZE 1.5K FA 1/10W
R6052	RGF1201FTCANL	MT-GLAZE 1.2K FA 1/10W
R6053	RGFR000ZTCANL	MT-GLAZE 0.000 ZA 1/10W
R6085	RGF4701FTCANL	MT-GLAZE 4.7K FA 1/10W
R6086	RGF4701FTCANL	MT-GLAZE 4.7K FA 1/10W
R6087	RGF1001FTCANL	MT-GLAZE 1K FA 1/10W
R6088	RGF1200FTCANL	MT-GLAZE 120 FA 1/10W
R6089	RGF1001FTCANL	MT-GLAZE 1K FA 1/10W
R6093	RGFR000ZTCANL	MT-GLAZE 0.000 ZA 1/10W
R6100	RGF2200JTCANL	MT-GLAZE 220 JA 1/10W
R6101	RGF2201JTCANL	MT-GLAZE 2.2K JA 1/10W
R6104	RGF2202JTCANL	MT-GLAZE 22K JA 1/10W
R6108	RGFR000ZTCANL	MT-GLAZE 0.000 ZA 1/10W
R6110	RGF1001JTCANL	MT-GLAZE 1K JA 1/10W
R6117	RGF3302JTCANL	MT-GLAZE 33K JA 1/10W
R6118	RGF1001JTCANL	MT-GLAZE 1K JA 1/10W
R6119	RGFR000ZTCANL	MT-GLAZE 0.000 ZA 1/10W
R6124	RGF47R0JTCANL	MT-GLAZE 47 JA 1/10W
R6125	RGFR000ZTCANL	MT-GLAZE 0.000 ZA 1/10W
R6126	RGFR000ZTCANL	MT-GLAZE 0.000 ZA 1/10W
R6129	RGF4701JTCANL	MT-GLAZE 4.7K JA 1/10W
R6130	RGFR000ZTCANL	MT-GLAZE 0.000 ZA 1/10W
R6174	RGF4702JTCANL	MT-GLAZE 47K JA 1/10W
R6176	RGF1002JTCANL	MT-GLAZE 10K JA 1/10W
R6177	RGF47R0JTCANL	MT-GLAZE 47 JA 1/10W
R6178	RGF47R0JTCANL	MT-GLAZE 47 JA 1/10W
R6200	RGF3302JTCANL	MT-GLAZE 33K JA 1/10W
R6201	RGF33R0JTCANL	MT-GLAZE 33 JA 1/10W
R6204	RGF33R0JTCANL	MT-GLAZE 33 JA 1/10W
R6208	RGF4700JTCANL	MT-GLAZE 470 JA 1/10W
R6209	RGF33R0JTCANL	MT-GLAZE 33 JA 1/10W
R6213	RGF33R0JTCANL	MT-GLAZE 33 JA 1/10W
R6216	RGF33R0JTCANL	MT-GLAZE 33 JA 1/10W
R6221	RGF4700JTCANL	MT-GLAZE 470 JA 1/10W

Schematic Location	Part No.	Description
R6222	RGF33R0JTCANL	MT-GLAZE 33 JA 1/10W
R6225	RGF10R0JTCANL	MT-GLAZE 10 JA 1/10W
R6229	RGFR000ZTCANL	MT-GLAZE 0.000 ZA 1/10W
R6231	RGF10R0JTCANL	MT-GLAZE 10 JA 1/10W
R6233	RGF33R0JTCANL	MT-GLAZE 33 JA 1/10W
R6235	RGF1000JTCANL	MT-GLAZE 100 JA 1/10W
R6236	RGF1000JTCANL	MT-GLAZE 100 JA 1/10W
R6237	RGF33R0JTCANL	MT-GLAZE 33 JA 1/10W
R6238	RGF33R0JTCANL	MT-GLAZE 33 JA 1/10W
R6240	RGFR000ZTCANL	MT-GLAZE 0.000 ZA 1/10W
R6241	RGFR000ZTCANL	MT-GLAZE 0.000 ZA 1/10W
R6244	RGF33R0JTCANL	MT-GLAZE 33 JA 1/10W
R6250	RGF6802FTCANL	MT-GLAZE 68K FA 1/10W
R6251	RGF1003JTCANL	MT-GLAZE 100K JA 1/10W
R6252	RGF2200JTCANL	MT-GLAZE 220 JA 1/10W
R6253	RGF2200JTCANL	MT-GLAZE 220 JA 1/10W
R6254	RGF1000JTCANL	MT-GLAZE 100 JA 1/10W
R6255	RGF1004JTCANL	MT-GLAZE 1M JA 1/10W
R6257	RGF3301JTCANL	MT-GLAZE 3.3K JA 1/10W
R6258	RGF3001FTCANL	MT-GLAZE 3K FA 1/10W
R6261	RGF3901JTCANL	MT-GLAZE 3.9K JA 1/10W
R6262	RGF3300JTCANL	MT-GLAZE 330 JA 1/10W
R6263	RGF3300JTCANL	MT-GLAZE 330 JA 1/10W
R6264	RGFR000ZTCANL	MT-GLAZE 0.000 ZA 1/10W
R6266	RGF2200JTCANL	MT-GLAZE 220 JA 1/10W
R6267	RGF2200JTCANL	MT-GLAZE 220 JA 1/10W
R6271	RGF47R0JTCANL	MT-GLAZE 47 JA 1/10W
R6272	RGF15R0JTCANL	MT-GLAZE 15 JA 1/10W
R6273	RGF1002JTCANL	MT-GLAZE 10K JA 1/10W
R6276	RGF6800JTCANL	MT-GLAZE 680 JA 1/10W
R6277	RGF15R0JTCANL	MT-GLAZE 15 JA 1/10W
R6278	RGF15R0JTCANL	MT-GLAZE 15 JA 1/10W
R6281	RGF1002JTCANL	MT-GLAZE 10K JA 1/10W
R6282	RGF6800JTCANL	MT-GLAZE 680 JA 1/10W
R6283	RGF2203JTCANL	MT-GLAZE 220K JA 1/10W
R6284	RGF2203JTCANL	MT-GLAZE 220K JA 1/10W

Schematic Location	Part No.	Description
R6285	RGF2203JTCANL	MT-GLAZE 220K JA 1/10W
R6286	RGFR000ZTCANL	MT-GLAZE 0.000 ZA 1/10W
R6287	RGFR000ZTCANL	MT-GLAZE 0.000 ZA 1/10W
R6300	RGF2203JTCANL	MT-GLAZE 220K JA 1/10W
R6332	RGF4701JTCANL	MT-GLAZE 4.7K JA 1/10W
R6333	RGFR000ZTCANL	MT-GLAZE 0.000 ZA 1/10W
R6334	RGFR000ZTCANL	MT-GLAZE 0.000 ZA 1/10W
R6335	RGFR000ZTCANL	MT-GLAZE 0.000 ZA 1/10W
R6337	RGF4700JTCANL	MT-GLAZE 470 JA 1/10W
R6340	RGF4701JTCANL	MT-GLAZE 4.7K JA 1/10W
R6343	RGFR000ZTCANL	MT-GLAZE 0.000 ZA 1/10W
R6346	RGFR000ZTCANL	MT-GLAZE 0.000 ZA 1/10W
R6348	RGF3300JTCANL	MT-GLAZE 330 JA 1/10W
R6349	RGF4700JTCANL	MT-GLAZE 470 JA 1/10W
R6350	RGF4701JTCANL	MT-GLAZE 4.7K JA 1/10W
R6354	RGF1001JTCANL	MT-GLAZE 1K JA 1/10W
R6355	RGF15R0JTCANL	MT-GLAZE 15 JA 1/10W
R6364	RGFR000ZTCANL	MT-GLAZE 0.000 ZA 1/10W
R6365	RGFR000ZTCANL	MT-GLAZE 0.000 ZA 1/10W
R6366	RGF1002JTCANL	MT-GLAZE 10K JA 1/10W
R6367	RGF1002JTCANL	MT-GLAZE 10K JA 1/10W
R6369	RGF3902JTCANL	MT-GLAZE 39K JA 1/10W
R6370	RGFR000ZTCANL	MT-GLAZE 0.000 ZA 1/10W
R6377	RGF2200JTCANL	MT-GLAZE 220 JA 1/10W
R6378	RGF2200JTCANL	MT-GLAZE 220 JA 1/10W
R6381	RGF1000JTCANL	MT-GLAZE 100 JA 1/10W
R6382	RGF1000JTCANL	MT-GLAZE 100 JA 1/10W
R6383	RGF1000JTCANL	MT-GLAZE 100 JA 1/10W
R6384	RGF1000JTCANL	MT-GLAZE 100 JA 1/10W
R6385	RGF1000JTCANL	MT-GLAZE 100 JA 1/10W
R6386	RGF1000JTCANL	MT-GLAZE 100 JA 1/10W
R6387	RGF1000JTCANL	MT-GLAZE 100 JA 1/10W
R6388	RGF1000JTCANL	MT-GLAZE 100 JA 1/10W

Schematic Location	Part No.	Description
--------------------	----------	-------------

SWITCHES

SW1901	1AV4S10B0900J	SWITCH, PUSH 1P-1T
SW1901	1AV4S10B5650J	SWITCH, PUSH 1P-1TX1
SW1902	1AV4S10B0900J	SWITCH, PUSH 1P-1T
SW1902	1AV4S10B5650J	SWITCH, PUSH 1P-1TX1
SW1903	1AV4S10B0900J	SWITCH, PUSH 1P-1T
SW1903	1AV4S10B5650J	SWITCH, PUSH 1P-1TX1
SW1904	1AV4S10B0900J	SWITCH, PUSH 1P-1T
SW1904	1AV4S10B5650J	SWITCH, PUSH 1P-1TX1
SW1905	1AV4S10B0900J	SWITCH, PUSH 1P-1T
SW1905	1AV4S10B5650J	SWITCH, PUSH 1P-1TX1

CRYSTAL / FILTERS

X801	1AV4V10B0560N	OSC, CRYSTAL 32.768KHZ
X6200	1AV4F31B0540N	CERAMIC FILTER 4.5MHZ
X6201	1AV4V10B8280G	OSC, CRYSTAL 25.000MHZ

MISCELLANEOUS

A001	1AA0B10N23400	ASSY, PWB, MAIN-N4SE
A002	1AA0B10N22500	ASSY, PWB, CONTROL-N4SG
A1902	1AV4U20B99401	UNIT, REMOCON RECEIVER
⚠A6100	1AV4F1ZAZ0010	TUNER, USA/IF/DIGI-ANALOG
⚠EL901	1AV4T40B86900	LCD (T150XG01 V4)
SP901	1LB4A10B04600	SPEAKER, 8
SP901	1LB4A10B08100	SPEAKER, 8
SP902	1LB4A10B04600	SPEAKER, 8
SP902	1LB4A10B08100	SPEAKER, 8
⚠W901	1AV4W10B17900	CORD, POWER-2.0MK-VTR-02
⚠W901	1AV4W10B19800	CORD, POWER-2.0MK-VTR-02

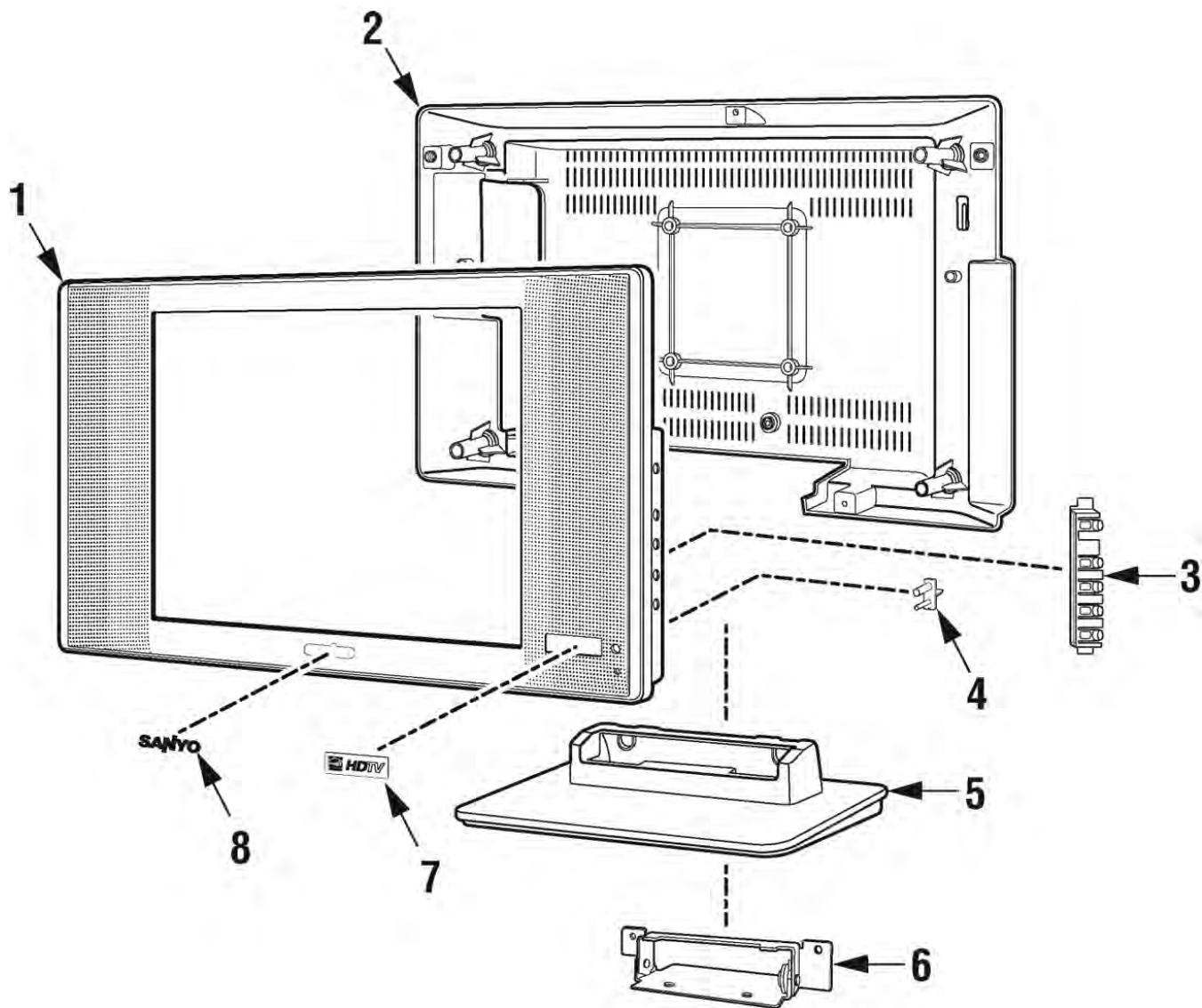
Schematic Location	Part No.	Description
--------------------	----------	-------------

INVERTER / POWER BOARD

⚠U901	1AV4U20C09100	UNIT, INVERTER-POWER BRD
-------	---------------	--------------------------

Non-servicable part. No discreet parts are supplied for this PC board.

CABINET PARTS LIST



CABINET PARTS LIST

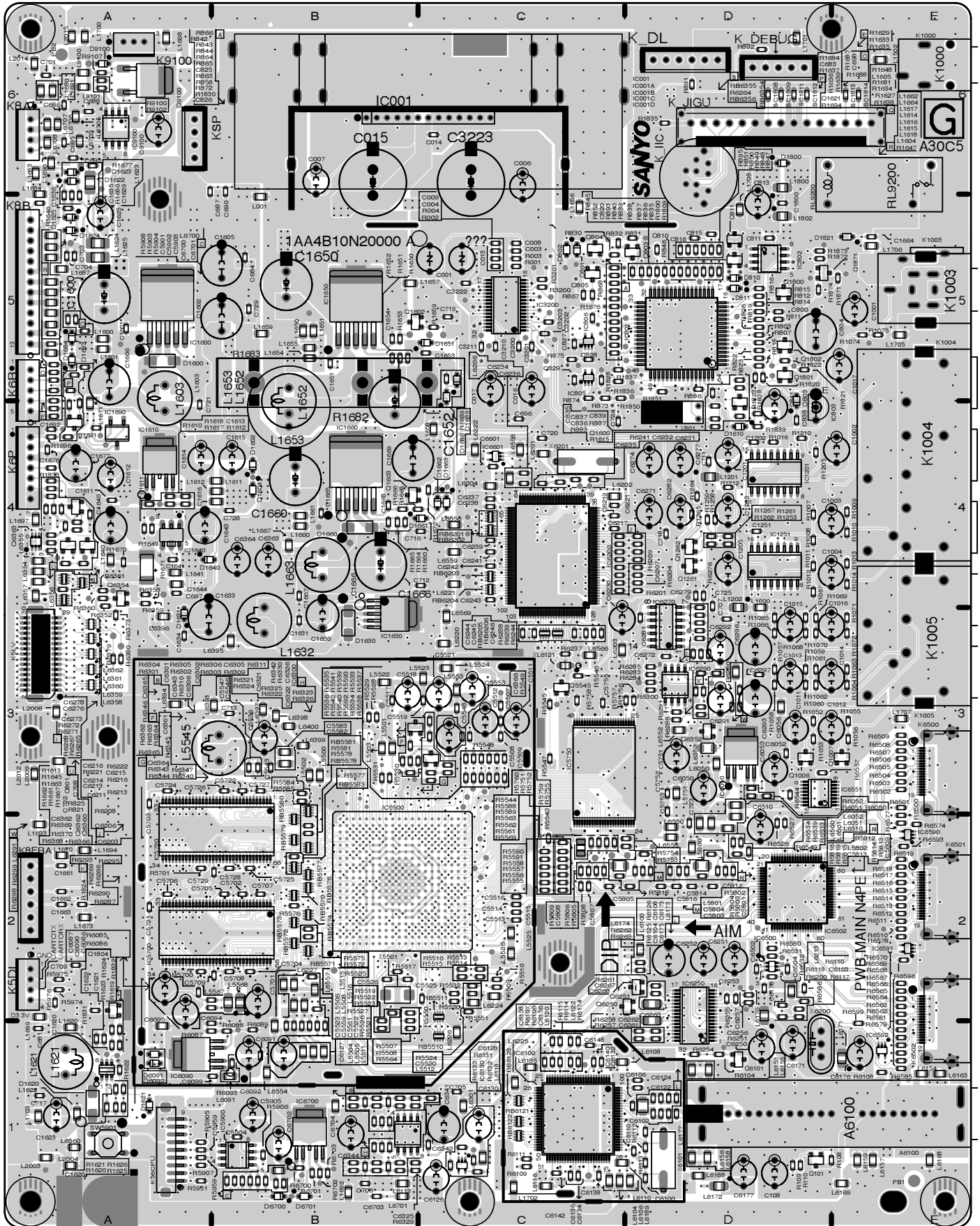
KEY NO.	PARTS NO.	DESCRIPTION
1	1AA2CAM0587-A	CABINET FRONT-N4SM
2	1AA2CBM0428--	CABINET BACK-N4SG
3	1AA2BUM0529-A	BUTTON UNITED-N4TK
4	1AA2DEM0444--	DEC IND
5	1AA2SDM0171-A	STAND COVER
6	1AA0HGF0015-A	ASSY HINGE
7	1AA2DES0915-A	DEC SHEET HDTV
8	1AV2BAAS014AA	BADGE, SANYO

ACCESSORY PARTS LIST

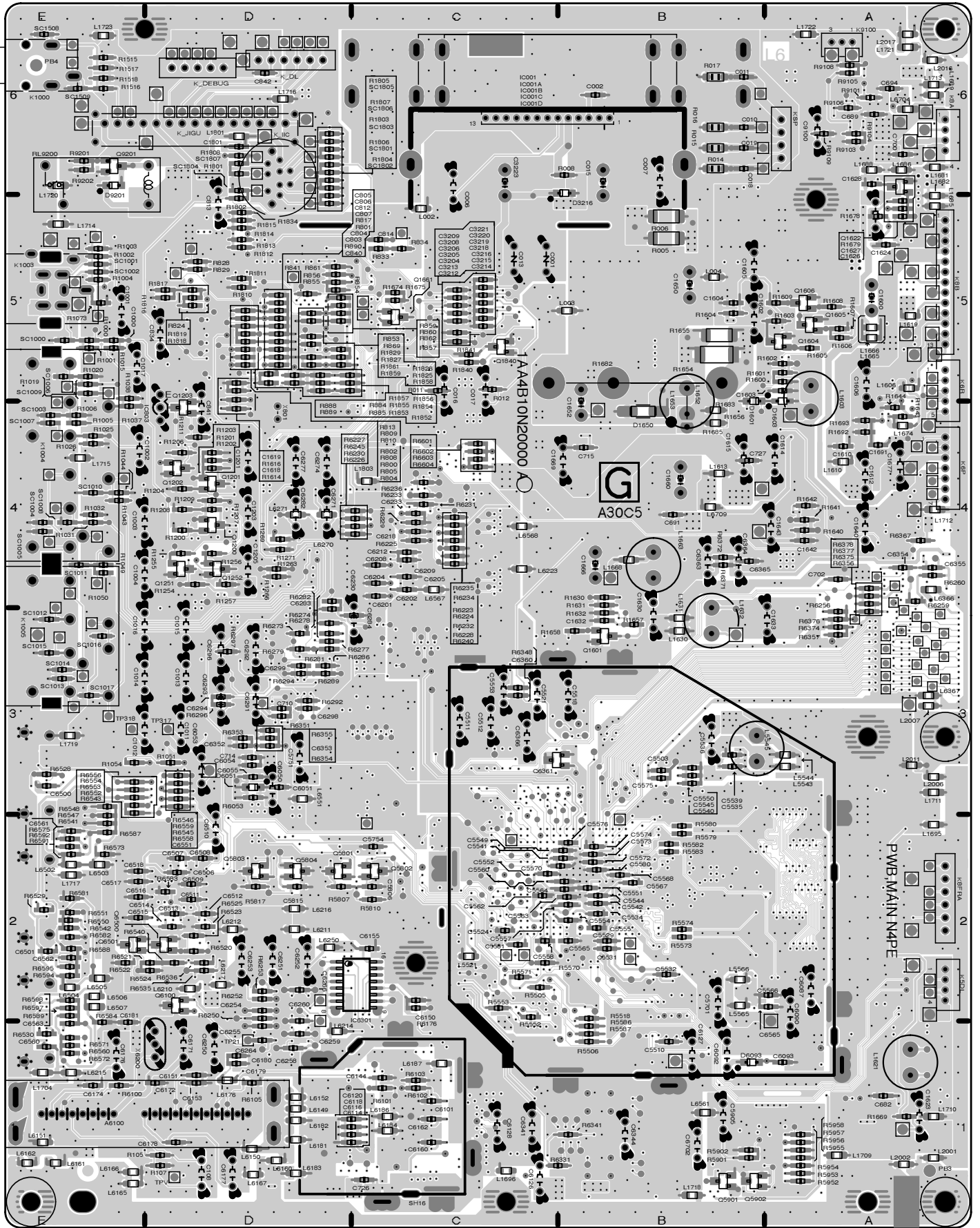
KEY NO.	PARTS NO.	DESCRIPTION
	1JC6P1P0291--	OWNER'S MANUAL (English)
	1JC6P1P0292--	OWNER'S MANUAL (Spanish)
	1JC6P1P0293--	OWNER'S MANUAL (French)
	1LB0U10B01802	ASSY, REMOCON
	1AA2RCM0305--	RC BATTERY LID

COMPONENT AND TESTPOINT LOCATIONS

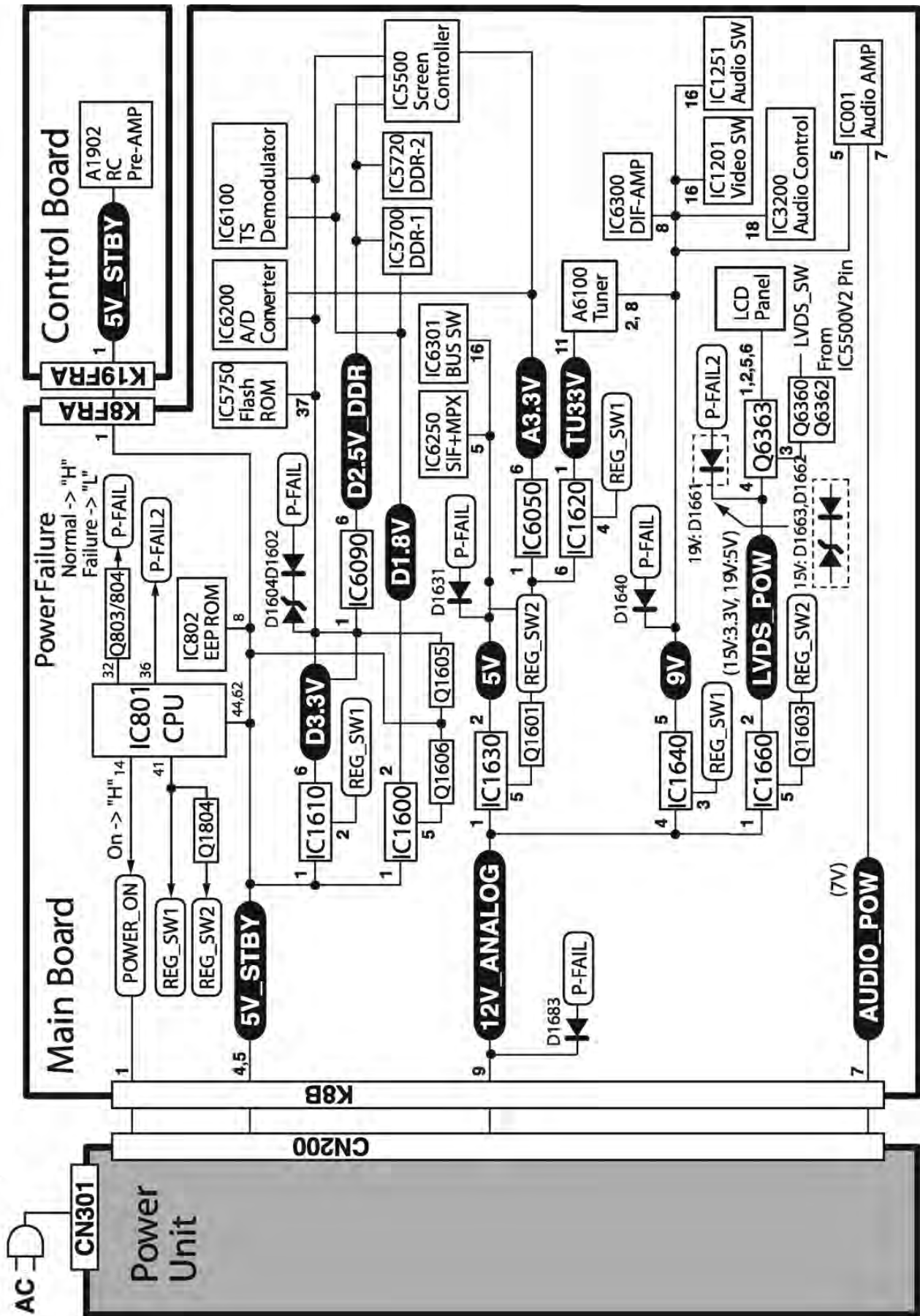
MAIN BOARD PARTS SIDE



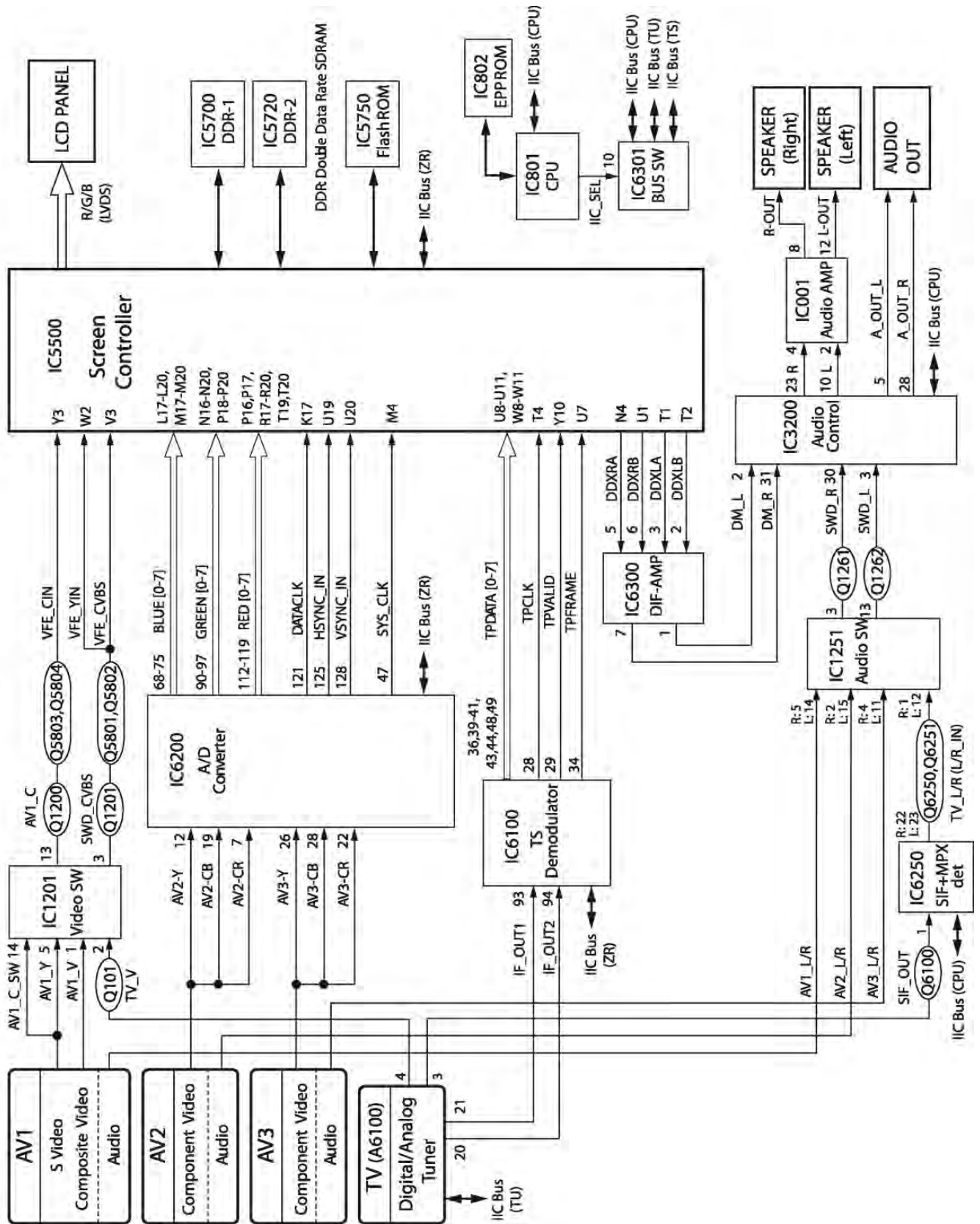
MAIN BOARD FOIL SIDE



BLOCK DIAGRAM POWER LINES

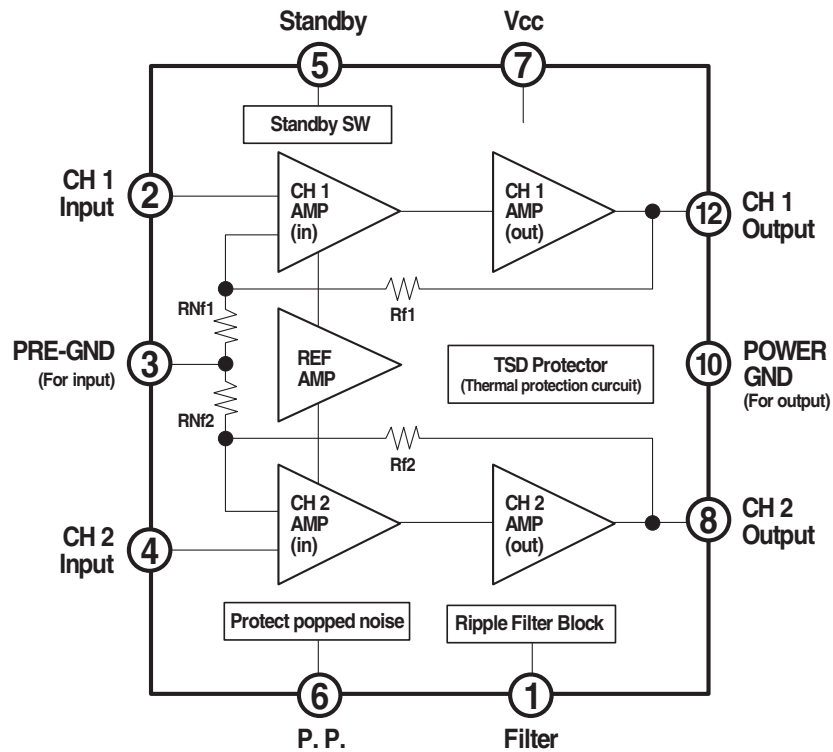


BLOCK DIAGRAM SIGNAL LINES

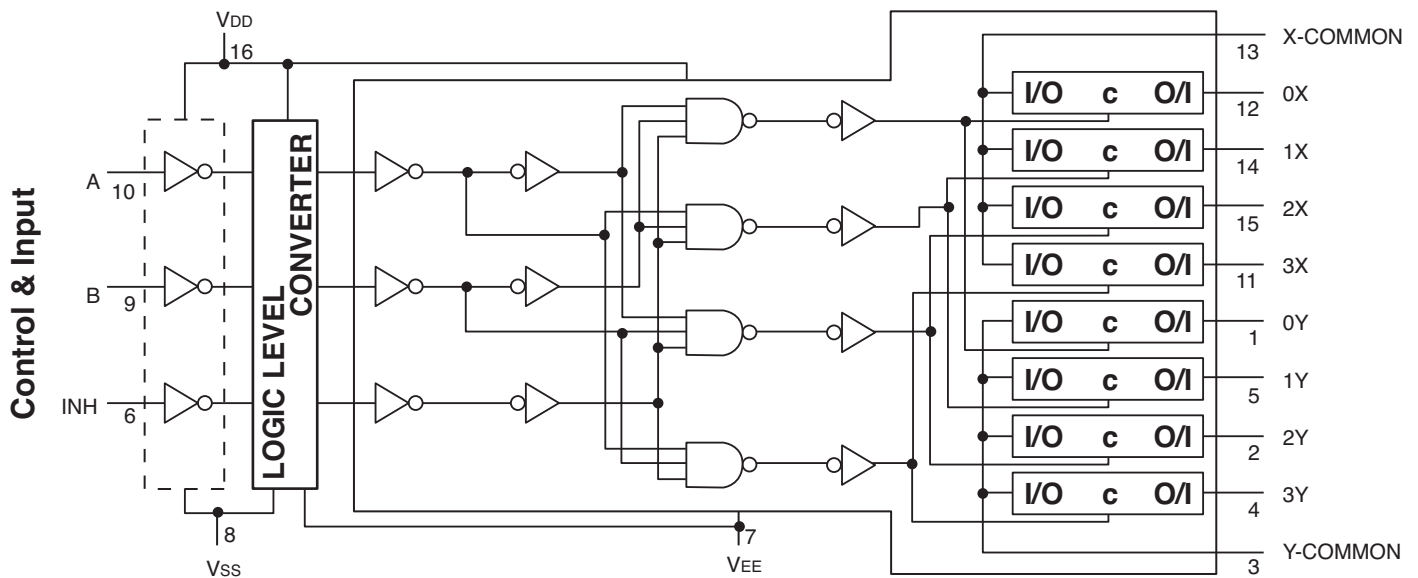


IC BLOCK DIAGRAMS

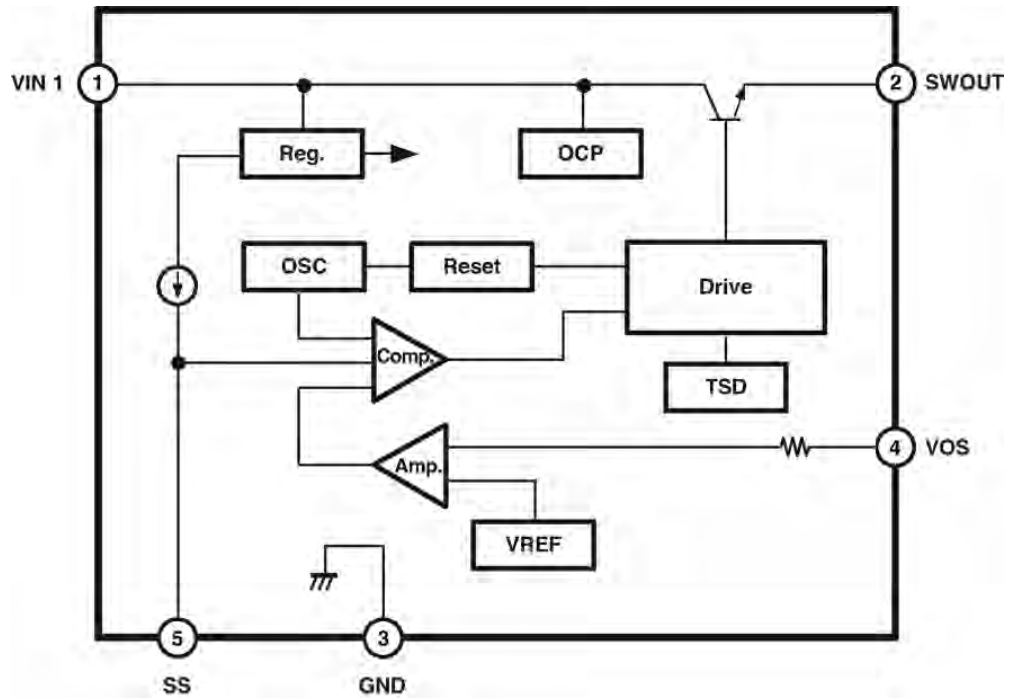
IC001, Audio AMP



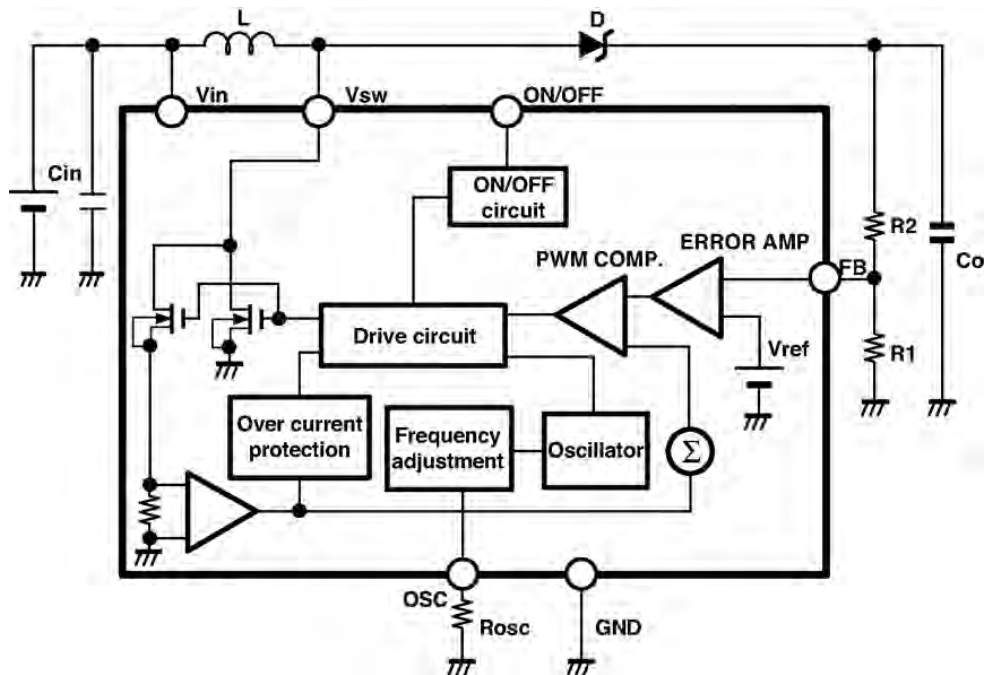
IC1201, IC1251 Video and Audio Select



IC1600, DC to DC Converter

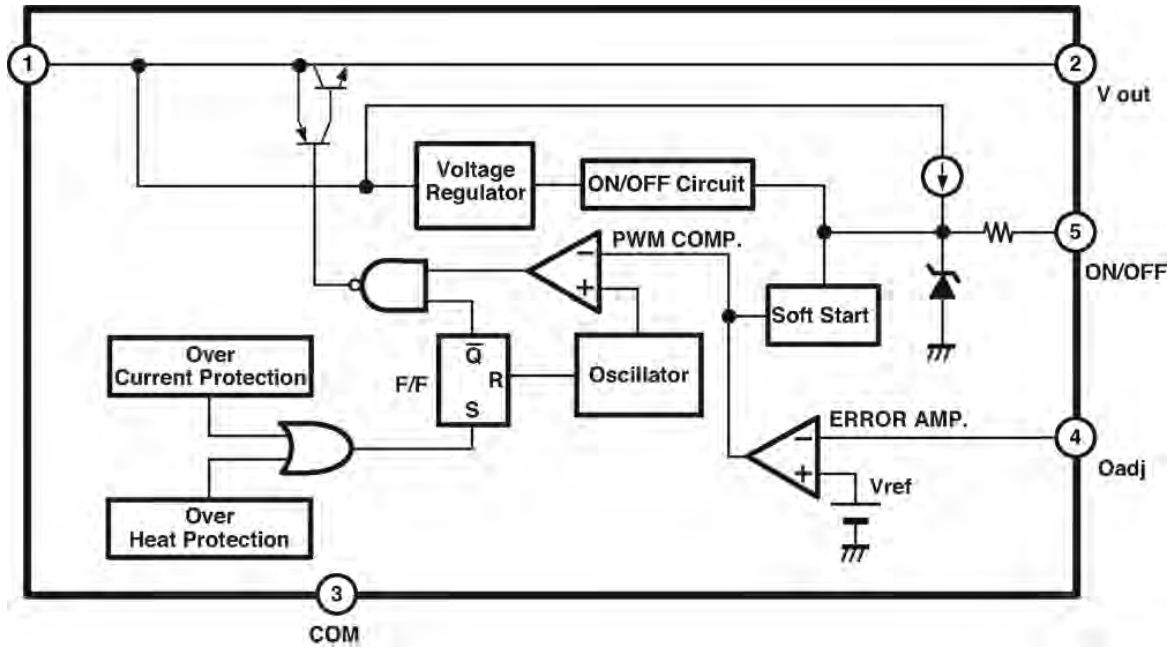


IC1620, DC to DC Converter

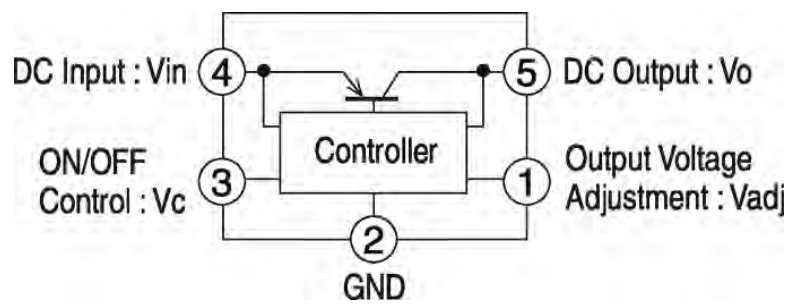


IC BLOCK DIAGRAMS (CONT.)

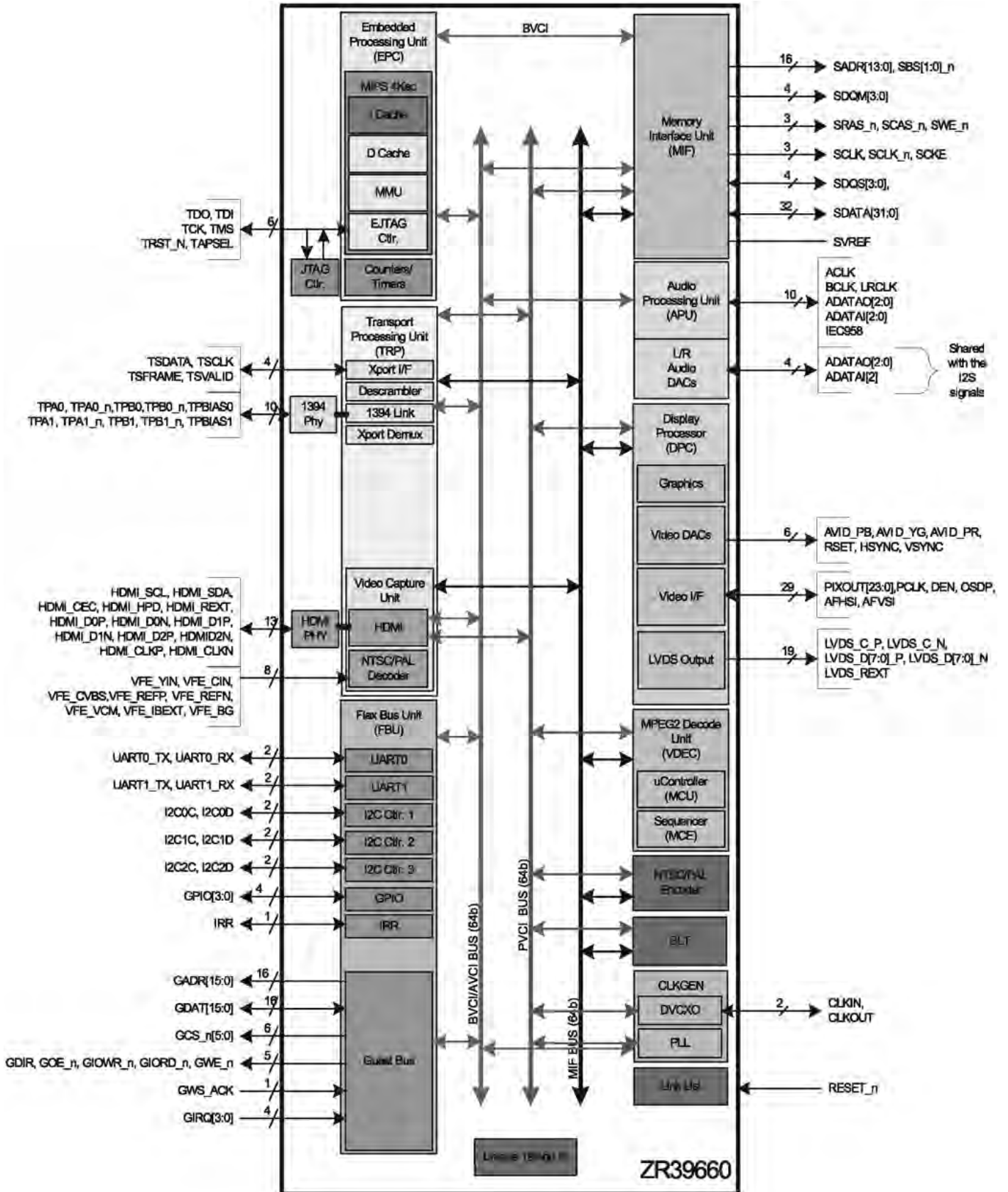
IC1630, DC to DC Converter



IC1640, DC to DC Converter

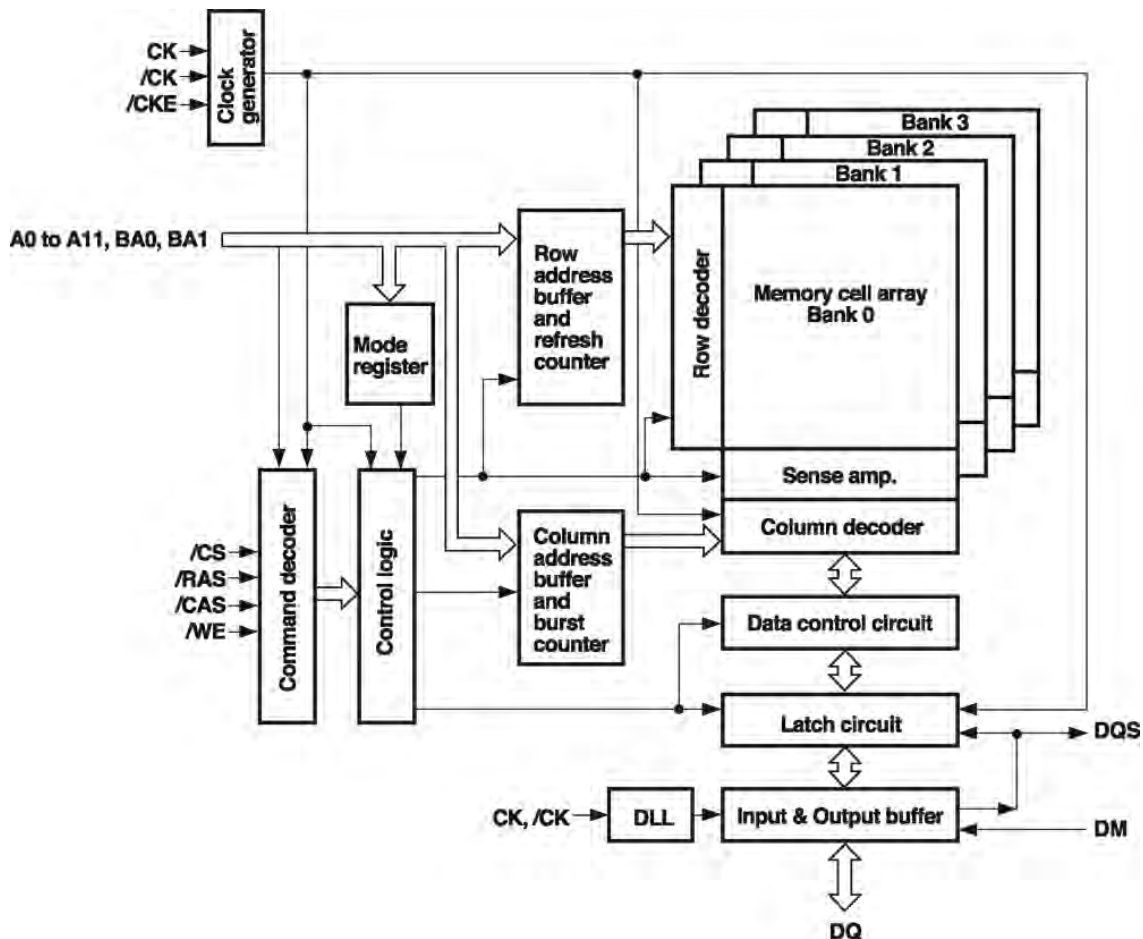


IC5500 Screen Controller

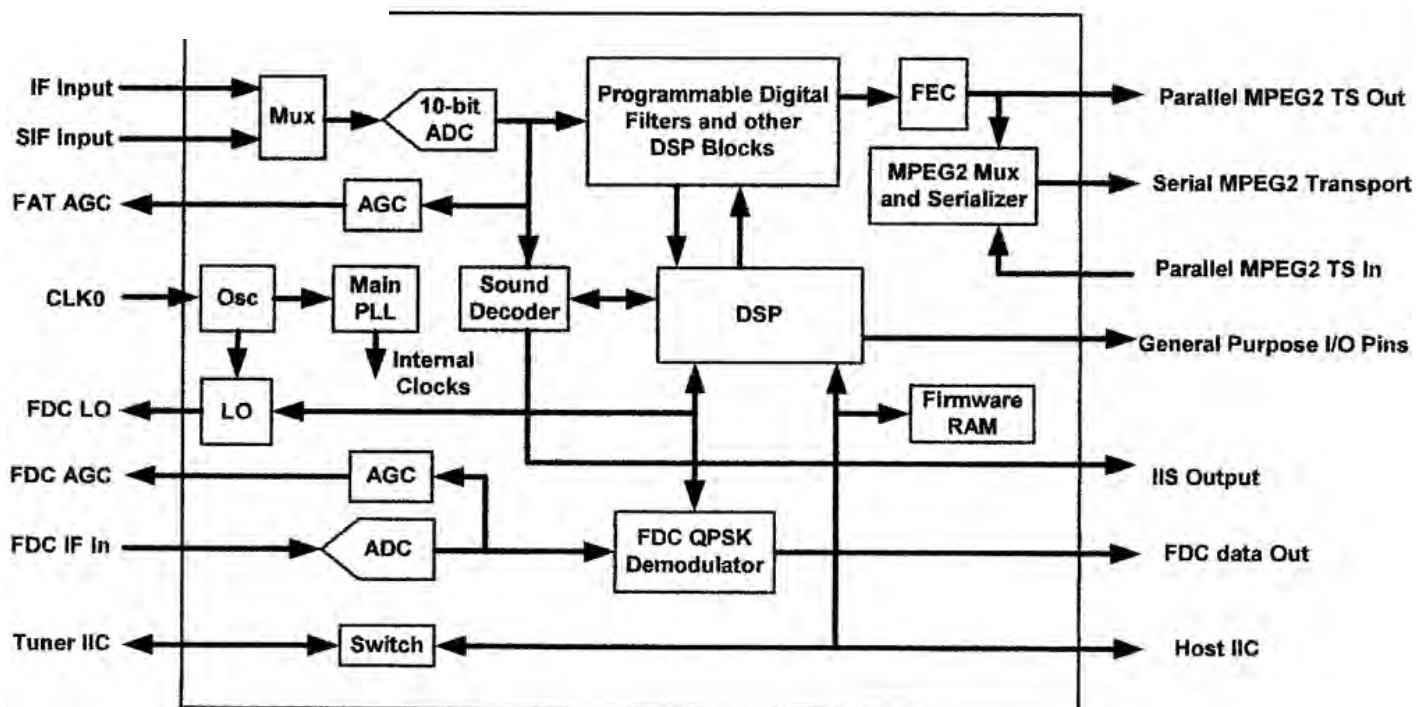


IC BLOCK DIAGRAMS (CONT.)

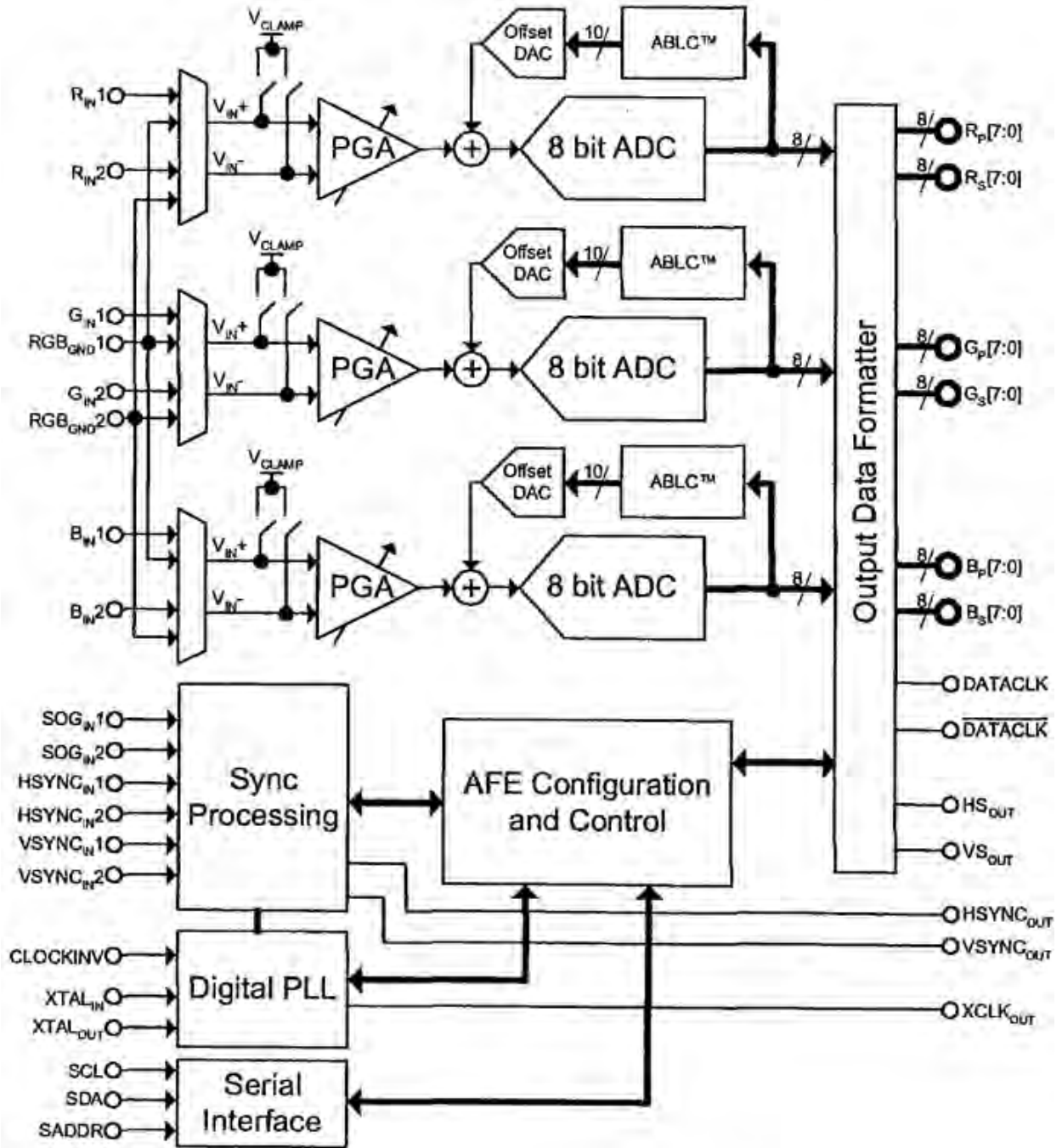
IC5700, IC5720 DDR: Double Data Rate SDRAM



IC6100, TS Demodulator

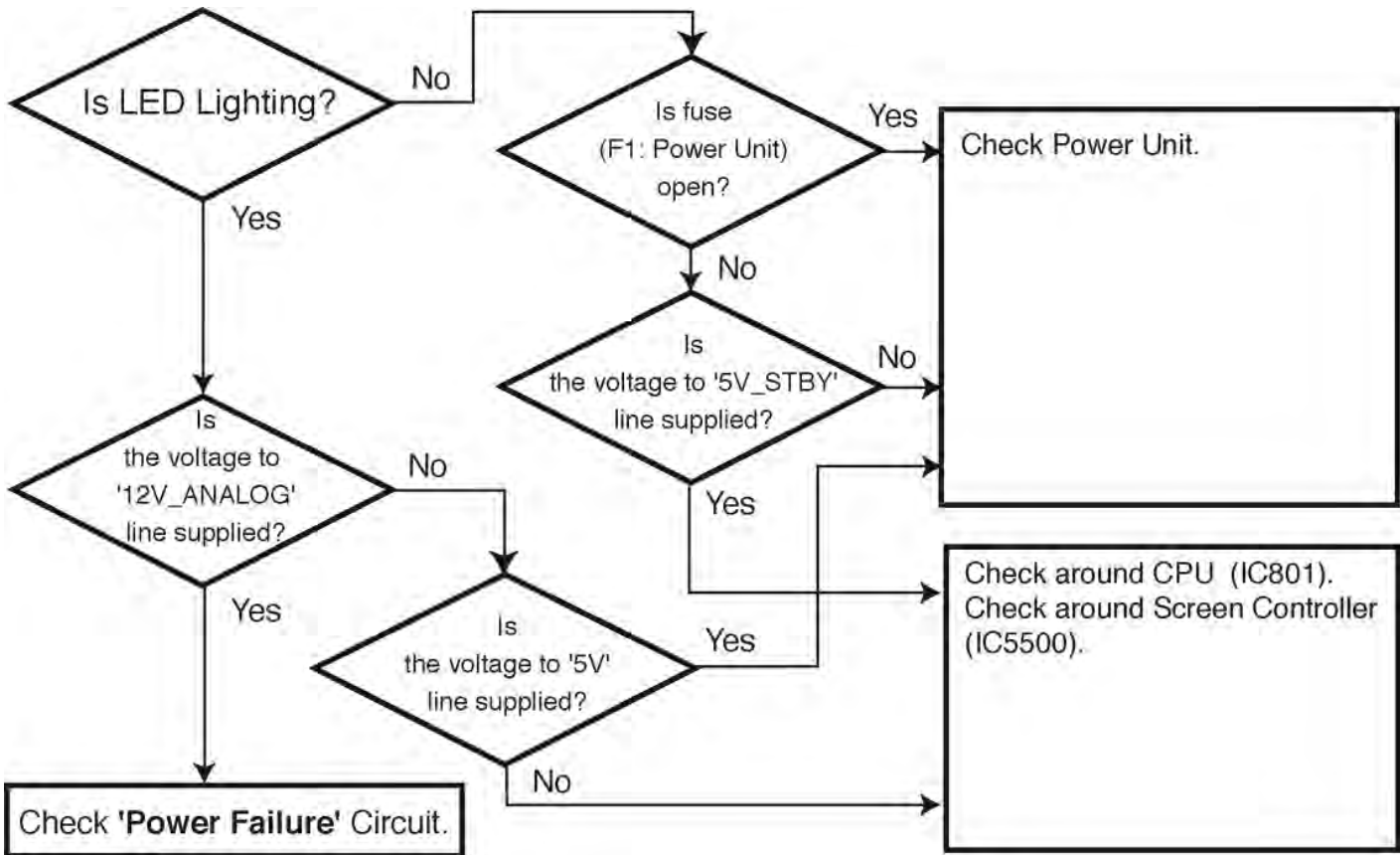


IC6200, A/D Converter

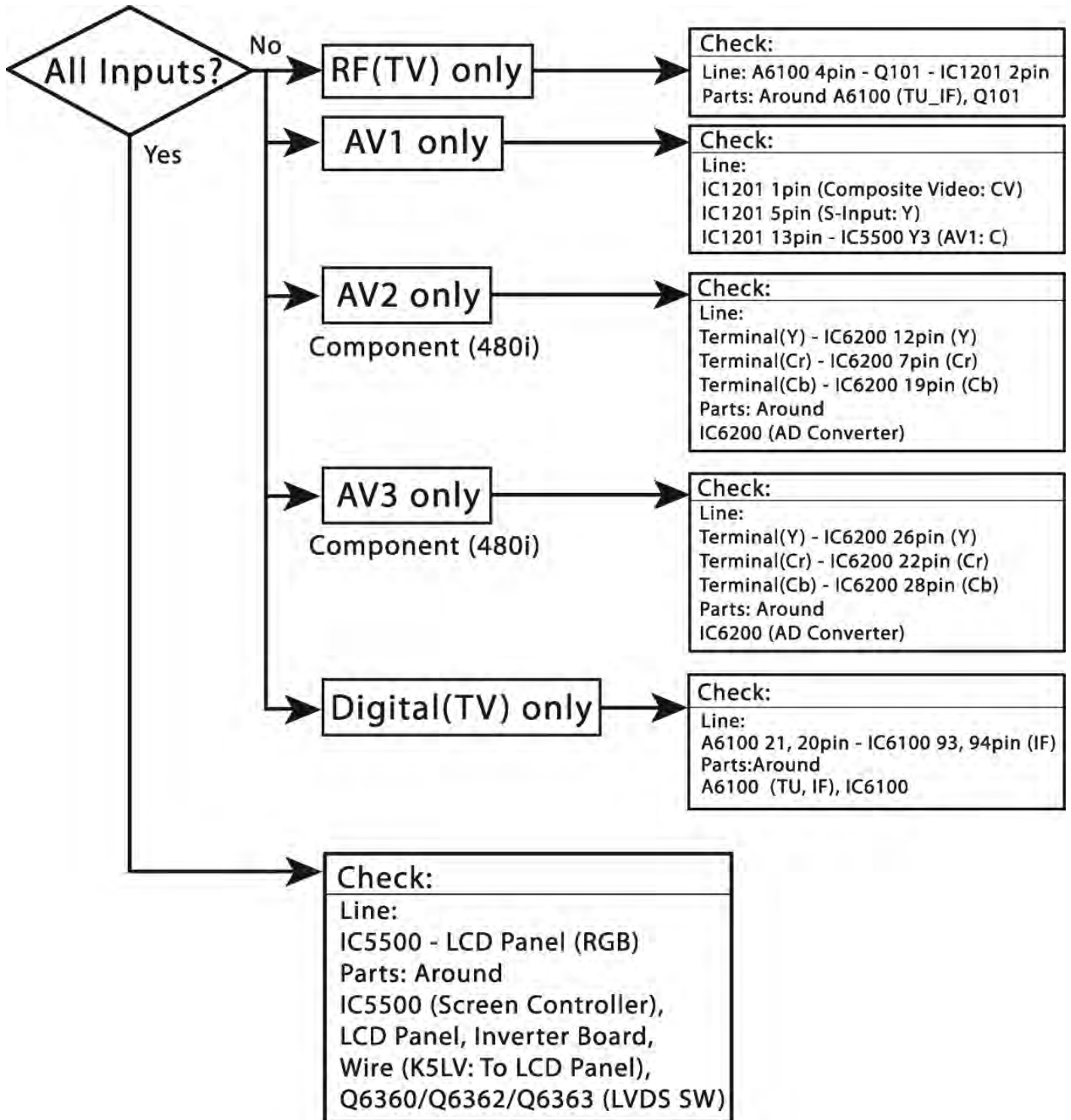


TROUBLESHOOTING FLOW CHARTS

NO POWER

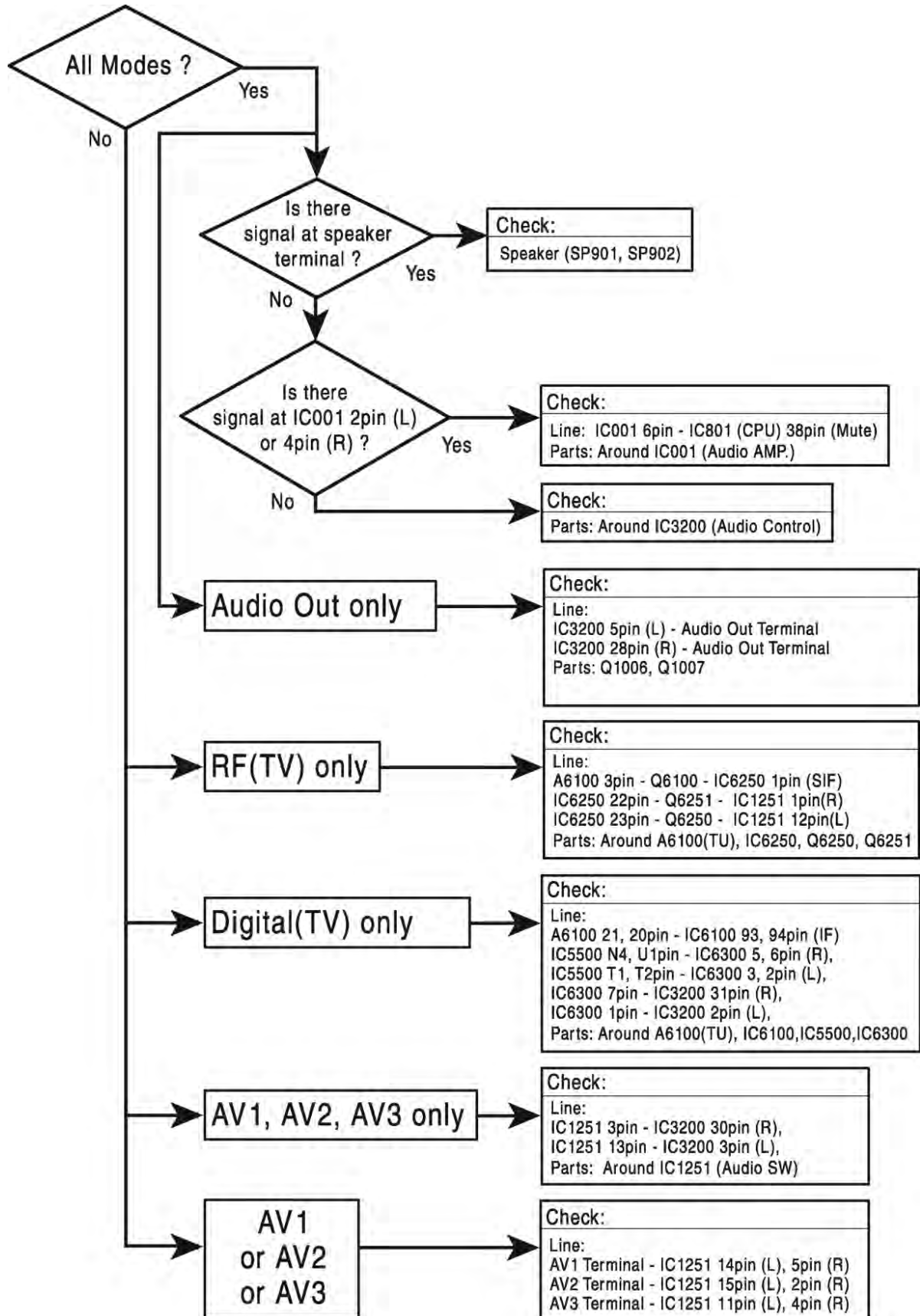


NO VIDEO



TROUBLESHOOTING FLOW CHARTS (CONT.)

NO AUDIO



CONTROL PORT FUNCTIONS

System Control (CPU : IC801)

Pin	Name	Function	I/O	Description
1	CVin	NA	IN	GND (0Vdc)
2	P70/INT0/TOLCP	LINE OFF	IN	Detect AC Voltage Reduction (Normal: High)
3	P71/INT1/TOHCP	Reserve	OUT	(Open)
4	P72/INT2/TOIN	Display Enable	OUT	Display Enable for PDP
5	P73/INT3/TOIN	RC in	IN	RC Input
6	AN0	Key in	IN	Key Input
7	AN1	AFT S-Figure in	IN	AFT S-Figure Input
8	P82/AN2	Tuner SW	OUT	Tuner BUS-SW (Analog-RF: High, Other: Low)
9	P83	Reserve	OUT	(Open)
10	P84/AN4	Reserve	OUT	(Open)
11	P85/AN5	VS-ON	OUT	VS-ON (for PDP) ON: High, OFF: Low
12	P86/AN6	Panel Ready	IN	Panel Ready (for PDP) OK: High, NG: Low
13	P87/AN7	S IN	IN	S-Detect
14	P30/SO6	TV Relay out	OUT	POWER ON/OFF SW On: High, OFF: Low
15	SB6	IIC-BUS for NV	I/O	(DATA) Active 'L' for IIC data NV
16	SCK6	IIC-BUS for NV	OUT	(CLOCK) Active 'L' for IIC clock NV
17	SB6	IIC-BUS for TV	I/O	(DATA) Active 'L' for IIC data TV
18	SCK6	IIC-BUS for TV	OUT	(CLOCK) Active 'L' for IIC clock TV
19	DBGP0	DBGP0	I/O	Terminal for De-Bug 1
20	DBGP1	DBGP1	I/O	Terminal for De-Bug 2
21	DBGP2	DBGP2	IN	Terminal for De-Bug 3
22	PC0	ENA/DATA1	I/O	Writing on board (ENA/DATA1)
23	PC1	DATA0	I/O	Writing on board (DATA0)
24	PC2	CLK	IN	Writing on board (CLK)
25	PC3	TB in	IN	Detection for Video Signal (Time base: H)
26	PC4	Reserve	OUT	(Open)
27	P00	Reserve	OUT	(Open)
28	P01	AV SW1	OUT	Selection for AV Selector 1
29	P02	AV SW2	OUT	Selection for AV Selector 2
30	P03	AV SW3	OUT	Selection for AV Selector 3
31	P04	AV SW4	OUT	Selection for AV Selector 4
32	P05	Power Fail-1 in	IN	TV Power Error (Error: Low)
33	P06	STATUS in	IN	For factory use
34	P07	Ack out	OUT	For factory use
35	P20/SO1	5V Discharge	OUT	
36	P21/S11/SB1	Power Fail-2 in	IN	LVDS Power Error (Error: Low)
37	P22/SCK1	Monitor-Out Mute	OUT	Mute ON: Low, OFF, High
38	P23	Audio MUTE	OUT	Audio Mute ON: High, OFF: Low
39	UTX	UART OUT	OUT	Digital Module microcomputer piece confidence
40	URX	UART IN	IN	Digital Module microcomputer piece confidence
41	P26/OSDCK1	REG SW	OUT	REG ON/OFF SW ON: High, OFF:Low
42	BL2	Reserve	OUT	(Open)
43	VSS2	Vss	IN	GND (0Vdc)
44	VDD2	Power IN	IN	5V (5Vdc±10%)
45	P10/SO0	Reserve	OUT	(Open)
46	P11/SI0/SB0	Reserve	OUT	(Open)

CONTROL PORT FUNCTIONS (Cont.)

System Control (CPU : IC801 Cont.)





Pin	Name	Function	I/O	Description
47	P12/SCK0	PDP/LCD	IN	Option Setting (PDP: High, LCD: Low)
48	P13	Panel Size 3	IN	Panel Size
49	P14	Panel Size 2	IN	Panel Size
50	P15	Panel Size 1	IN	Panel Size
51	P16	Panel Size 0	IN	Panel Size
52	P17	Reserve	IN	(Open)
53	BL1	NA	OUT	(Open)
54	B	NA	OUT	(Open)
55	G	NA	OUT	(Open)
56	R	NA	OUT	(Open)
57	HSB	Hsync	IN	GND (0Vdc)
58	VSB	Vsync	IN	GND (0Vdc)
59	VSS1	Vss	IN	GND (0Vdc)
60	XT1	Xin	IN	Main Clock IN/OUT Fosc=8MHz
61	XT2	Xout	OUT	(Should be connected between IN/OUT pins.)
62	VDD1	Power IN	IN	5V (5Vdc±10%)
63	RESB	RESET in	IN	Reset terminal
64	FILT	FILT out	OUT	PLL Filter

Mode Switching Table

Mode	AVSW1 (pin28)	AVSW2 (pin29)	AVSW3 (pin30)
Analog Tuner	Low	High	Low
AV1(CVBS)	High	High	Low
AV1(S)	High	Low	Low
AV2(Component 2)	Low	Low	High
AV3(Component 3)	Low	Low	Low
Digital Tuner or HDMI	Low	Low	Low
HDMI (DVI)	Low	Low	Low

SCHEMATIC DIAGRAMS

NOTES ON SCHEMATIC DIAGRAMS

1. All resistance values in ohms K=1,000 M=1,000,000.
2. Resistors specified with resistance value are "1/6DJ."
3. Resistors specified with type of resistor, tolerance and resistance value are "1/4."
4. Unless otherwise noted on schematic, all capacitor values less than 1 are expressed in μF (Micro Farad), and the values more than 1 are in pF.
5. All capacitors are 50 WV rating unless otherwise noted.
6. Unless otherwise noted on schematic, voltage reading taken with VOM from point indicated to chassis ground. Voltage reading taken using color-bar signal VHF channel 5, all controls at normal. Line voltage at 120 volts. Some voltages may vary with signal strength.
7. Waveforms were taken with color-bar signal and controls set for normal picture. Waveforms marked with an * may vary with signal strength.
8. The Symbol  indicates a fusible resistor, which protects the circuit from possible short circuits.
9. Parts enclosed with  are related with X-radiation.
10. Isolation border line.  Cold Side  Hot Side
11. Schematic part location numbers may not always match the schematic symbols. The schematic symbols and part descriptions are correct and should be used. The part descriptions will be listed under the location number in the parts list.





ELECTROSTATICALLY SENSITIVE DEVICES

Many solid-state devices (especially Integrated Circuits) are Electrostatically Sensitive, and, therefore, require special handling techniques as described under "Servicing Electrostatically Sensitive Devices," on page two in this service literature.

SERVICE NOTES:

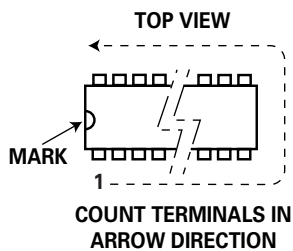
1. When replacing parts on circuit boards, clamp the lead wires to terminals before soldering.
2. When replacing high wattage resistors on circuit board, keep the resistor body 10 mm (3/8) from circuit board.
3. Keep wires away from high voltage and high temperature components.

PRODUCT SAFETY NOTICE

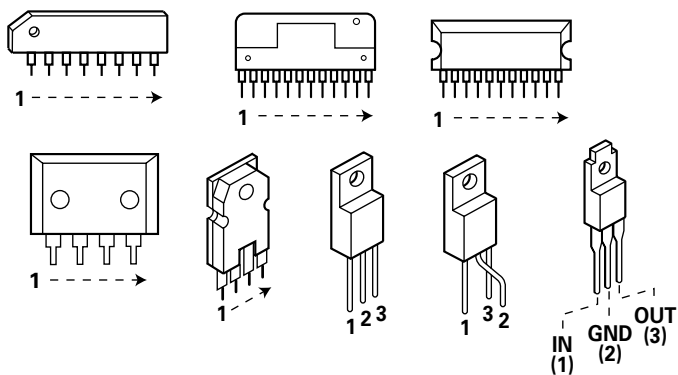
THE COMPONENTS DESIGNATED BY A  ON THIS SCHEMATIC DIAGRAM DESIGNATE COMPONENTS WHOSE VALUES ARE OF SPECIAL SIGNIFICANCE TO PRODUCT SAFETY. SHOULD ANY COMPONENT DESIGNATED BY A  NEED TO BE REPLACED, USE ONLY THE PART DESIGNATED IN THE PARTS LIST. DO NOT DEVIATE FROM THE RESISTANCE, WATTAGE AND VOLTAGE RATINGS SHOWN.

IC, DIODE, AND TRANSISTOR PIN LAYOUTS

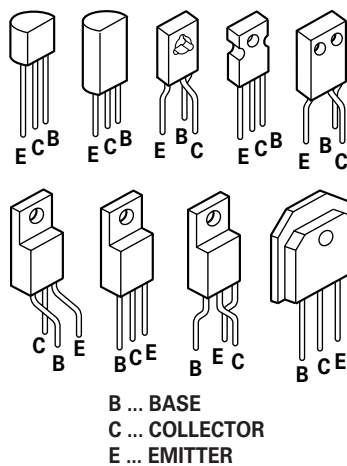
INTEGRATED CIRCUITS



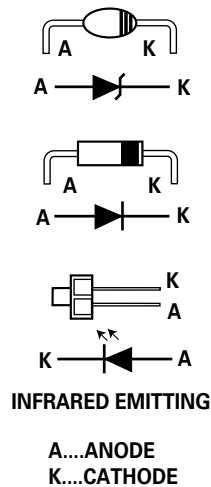
SIDE VIEW



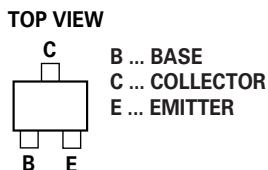
TRANSISTORS



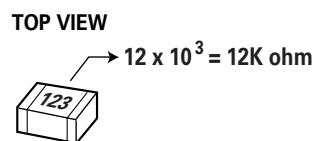
DIODES



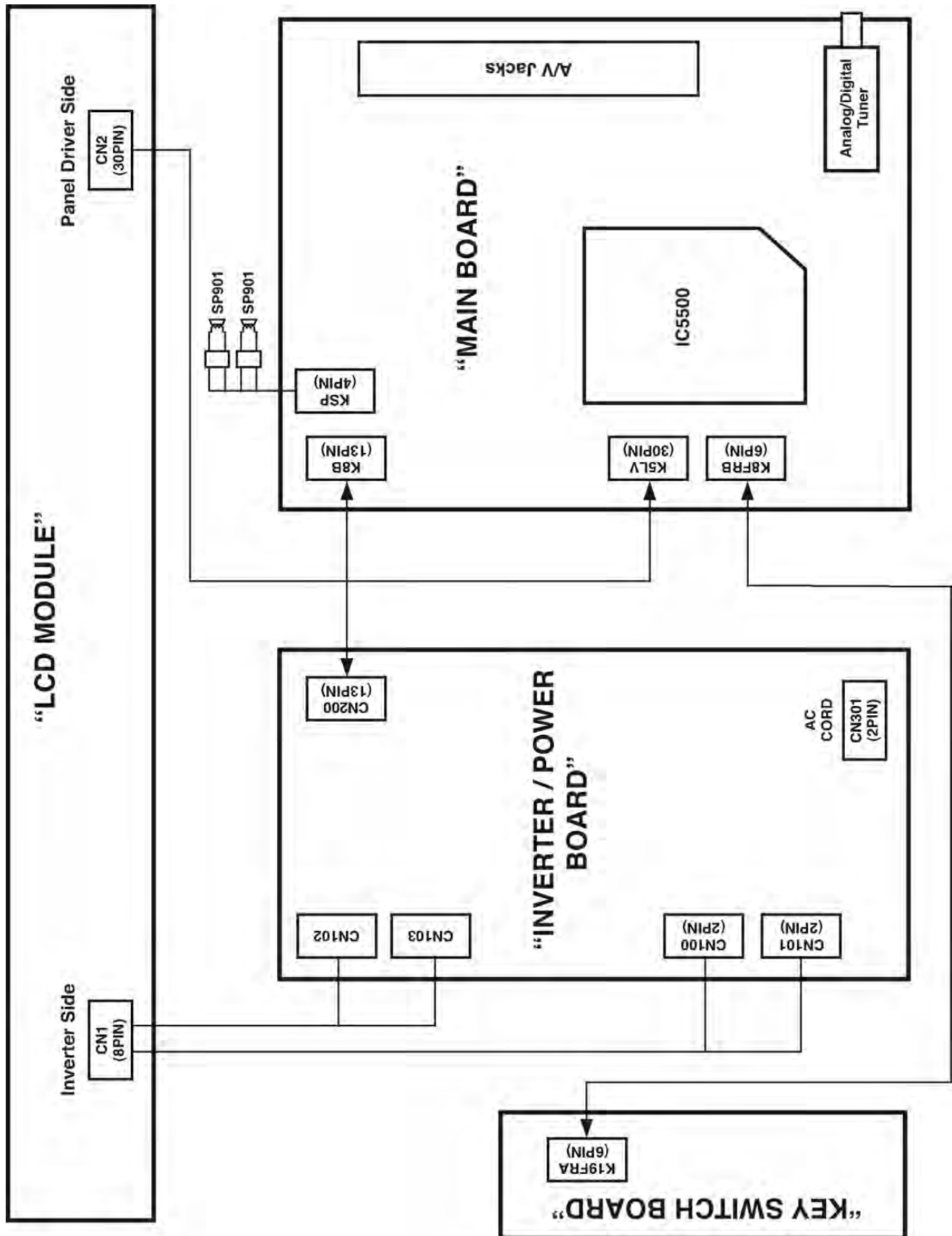
CHIP TRANSISTORS



CHIP RESISTORS

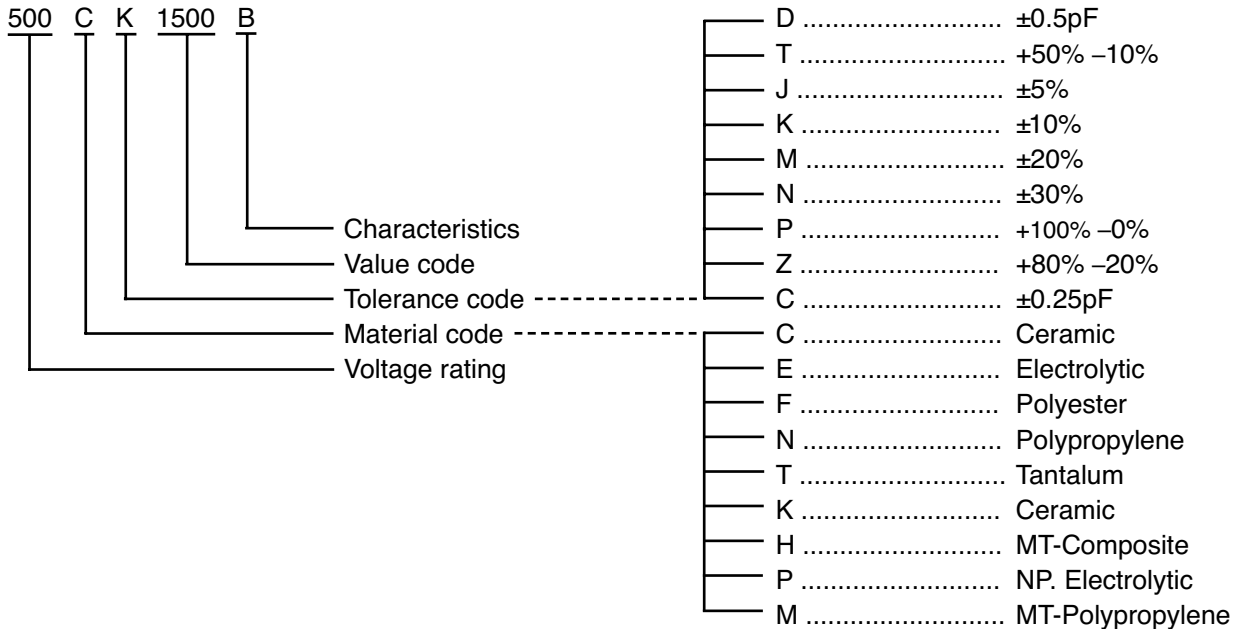


PC BOARD CONNECTIONS AND LOCATIONS

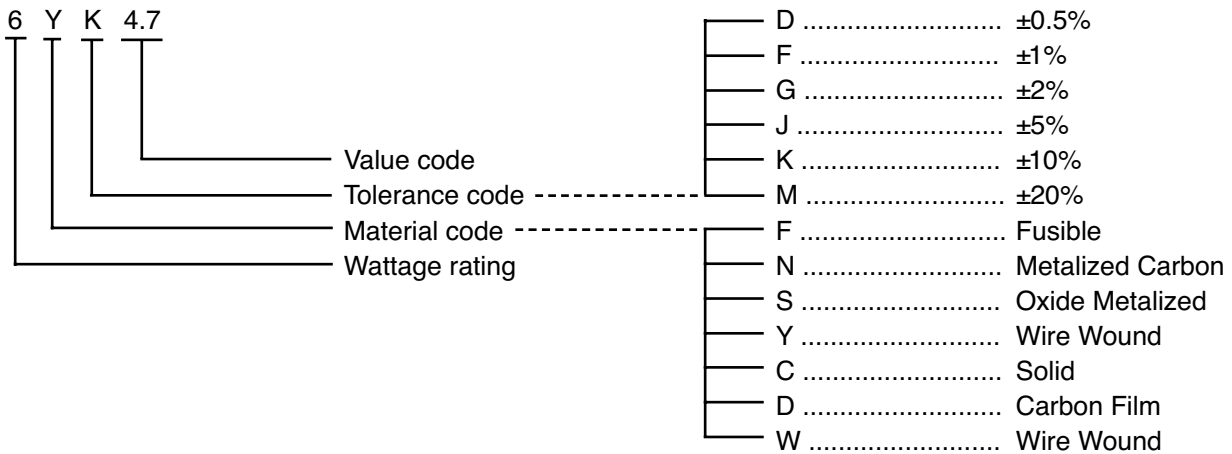


CAPACITOR AND RESISTOR CODE CHART

CAPACITOR (Example)



RESISTOR (Example)



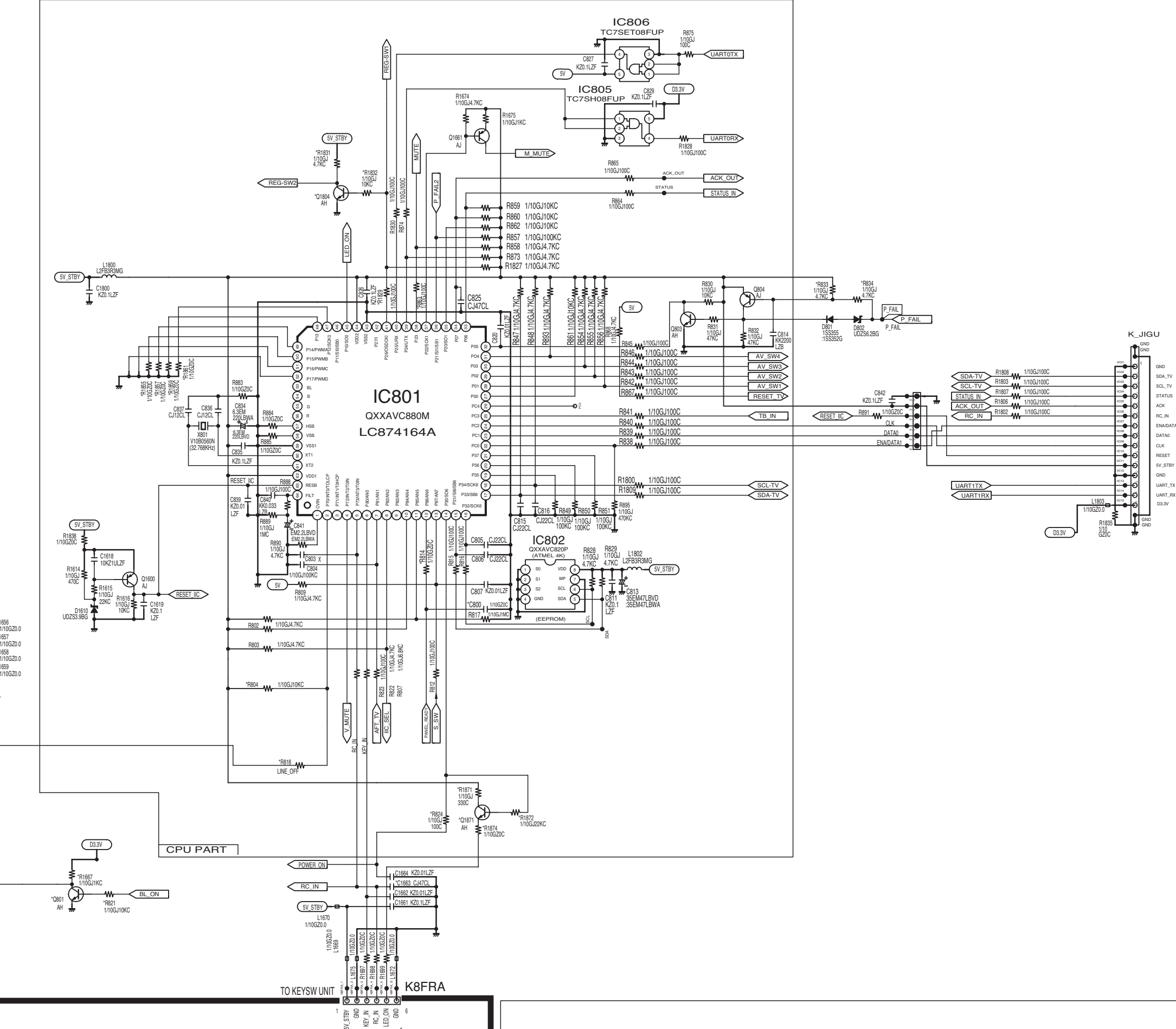
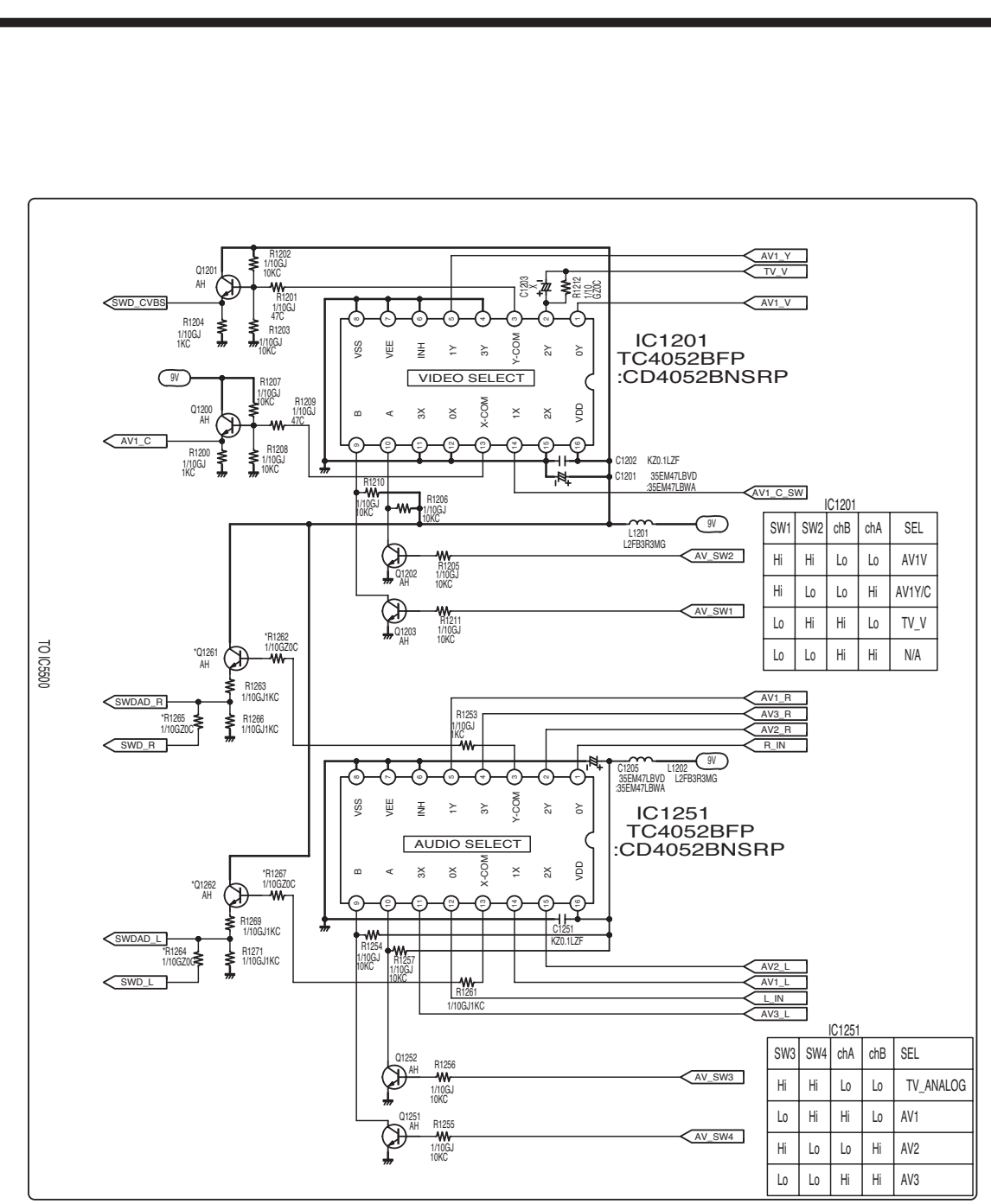
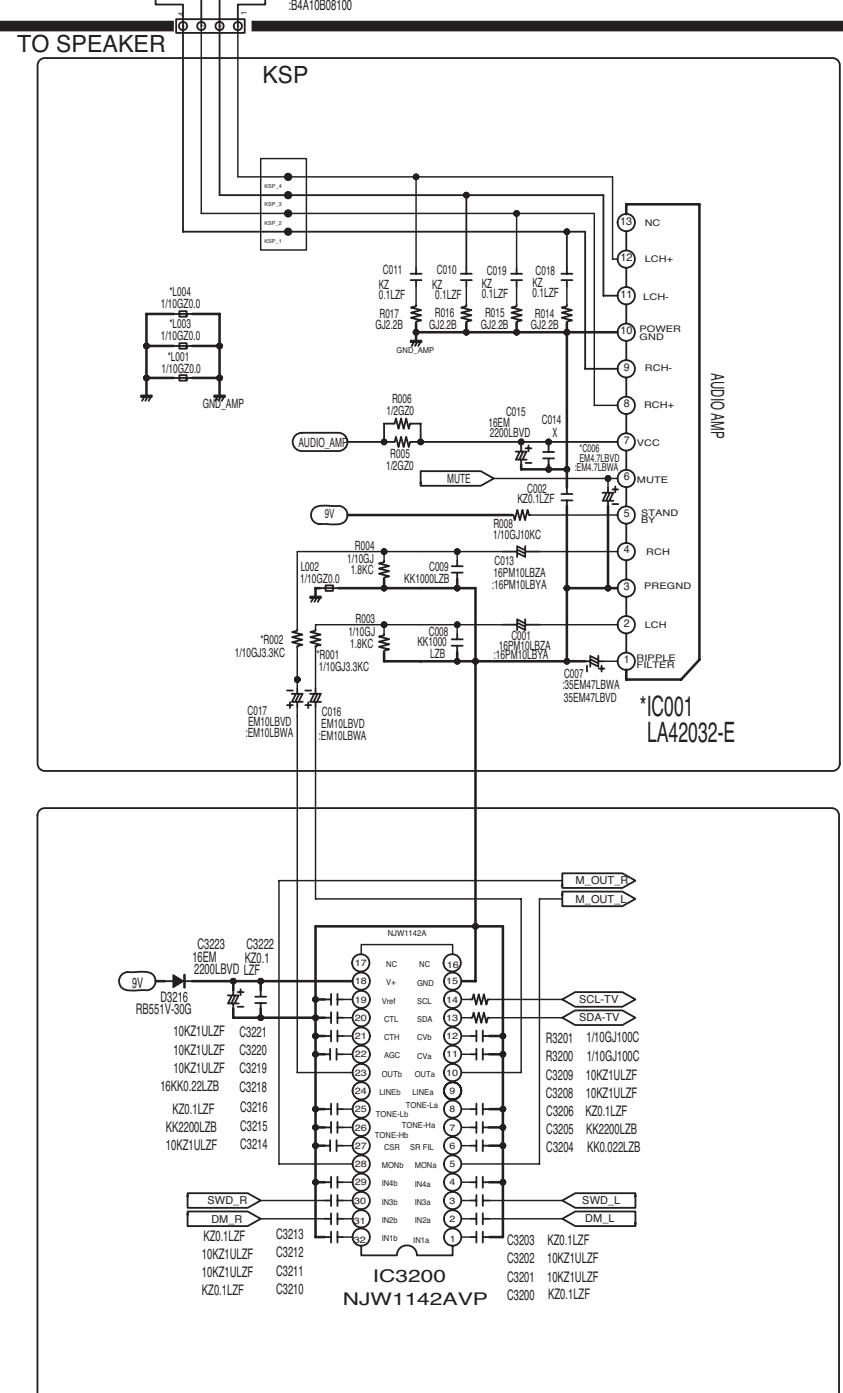
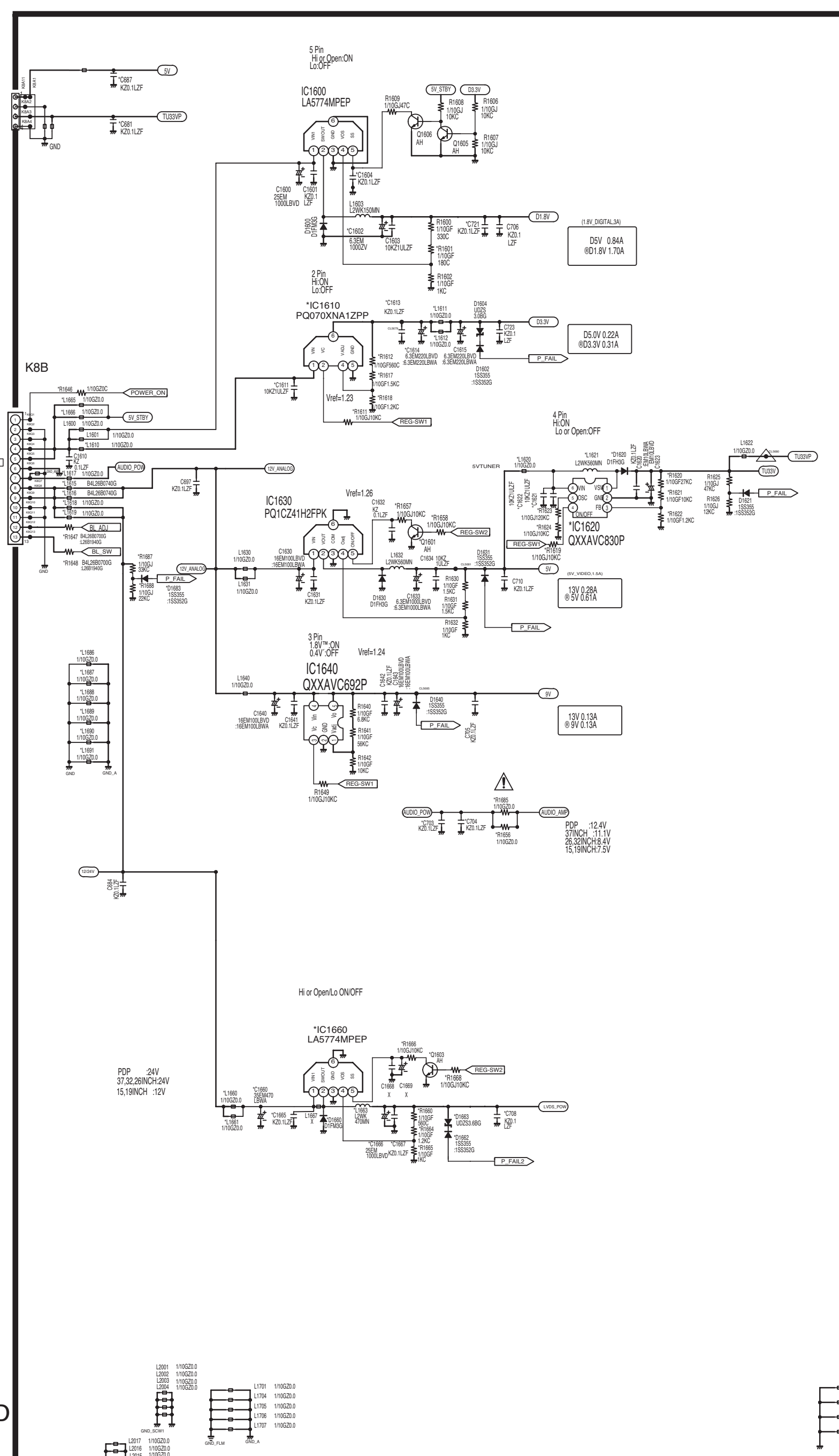
For parts or service contact

Sanyo Manufacturing Corporation
P.O. Box 2000
3333 Sanyo Road
Forrest City, Arkansas 72335-2000

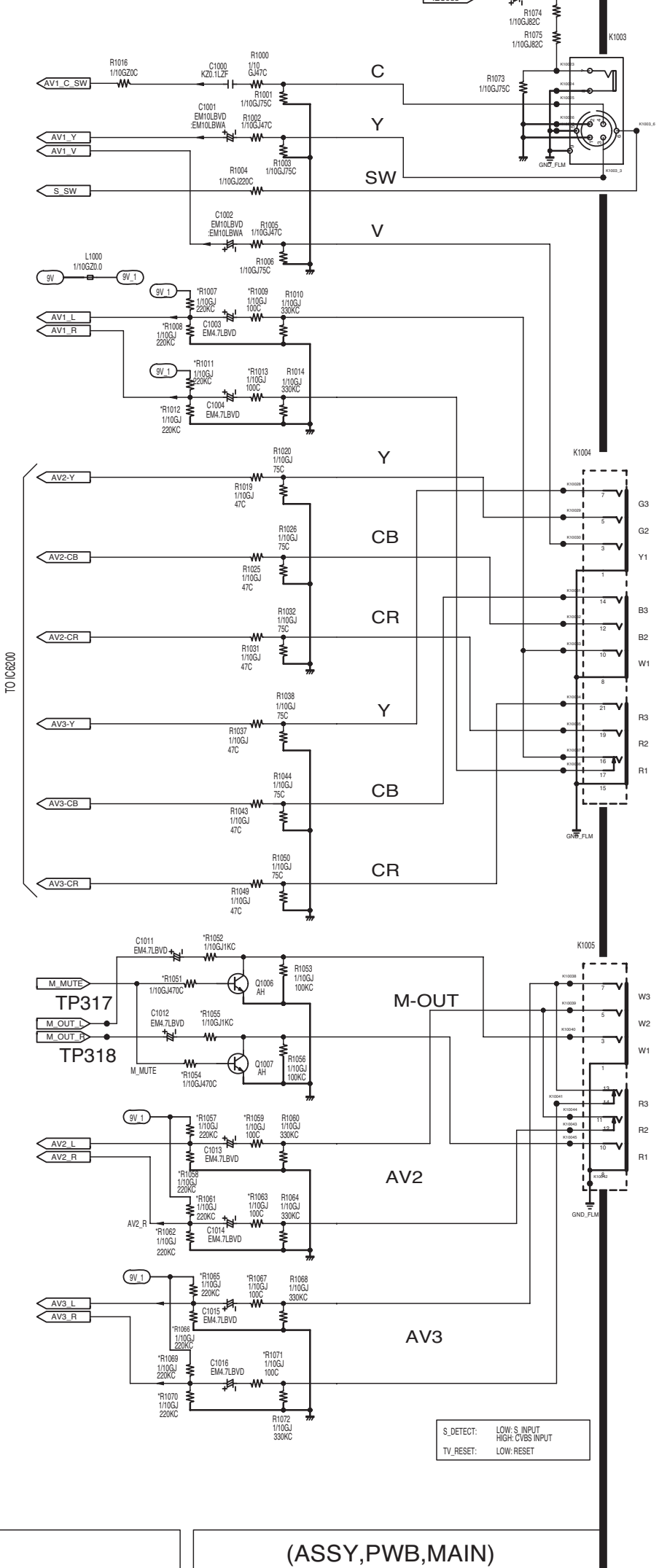
- NOTES:
1. RESISTORS SPECIFIED WITH RESISTANCE VALUE ARE "1%".
 2. RESISTORS SPECIFIED WITH TYPE OF RESISTOR, TOLERANCE AND VALUE ARE "1%".
 3. ALL CAPACITORS ARE SMD UNLESS OTHERWISE NOTED.
 4. PARTS MARKED WITH □ ARE RELATED WITH A PART NUMBER.
 5. THICK LINES ARE ISHAWTS SUPPLY LINE.
 6. BOTTOM VIEW OF TV IC.
- TOP VIEW
-
- LETTER
- 1 IN CASE OF TR
- IN CASE OF FC
7. ISOLATION BOARD LINE.
- COLD SIDE (RT SIDE)
8. CHIP TRANSISTORS
- B. BASE
C. COLLECTOR
E. EMITTER
9. CHIP RESISTORS
- 12 x 12 (0204K)

LIST OF REPLACEABLE TRANSISTORS (SMD/SMD TYPE)

147N CODE	MARKING	PART NO.	DESCRIPTION
147N	147N	9199	PNP, NPN
AC	AC	9199	PNP, NPN
147N CODE	MARKING	PART NO.	DESCRIPTION
147N	147N	9199	PNP, NPN
AC	AC	9199	PNP, NPN
147N CODE	MARKING	PART NO.	DESCRIPTION
147N	147N	9199	PNP, NPN
AC	AC	9199	PNP, NPN
147N CODE	MARKING	PART NO.	DESCRIPTION
147N	147N	9199	PNP, NPN
AC	AC	9199	PNP, NPN



ELECTROSTATICALLY SENSITIVE DEVICES
Many solid-state devices (especially Integrated Circuits) are Electrostatically Sensitive, and, therefore, require special handling techniques as described under "Servicing Electrostatically Sensitive Devices," on page two in this service literature.



MAIN UNIT (PAGE 46)

