

120x38 mm

SUNON

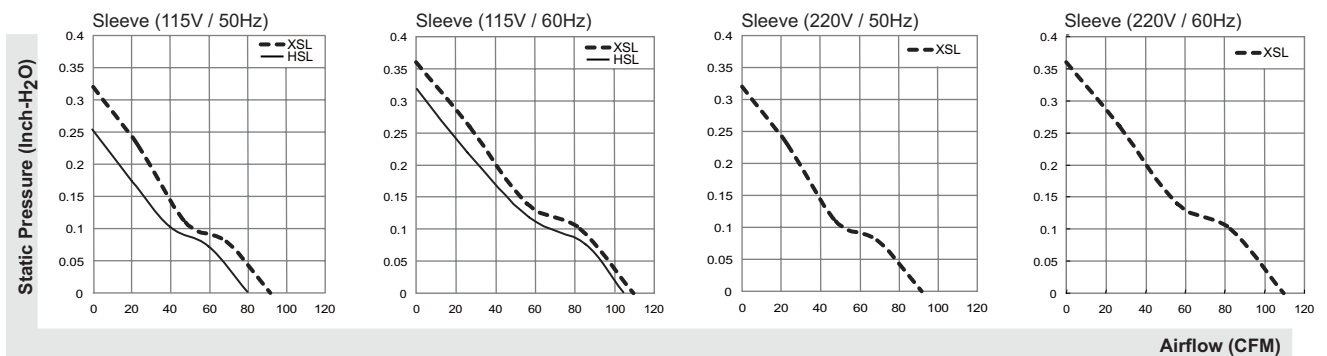
Skeleton AC Fan

80~110CFM

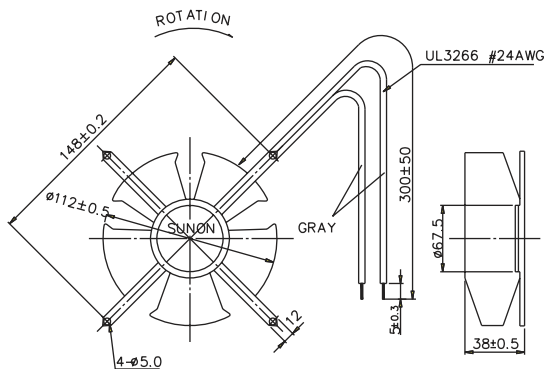


Model	P/N	Bearing	Rating Voltage	Freq.	Power Current	Power Consumption	Speed	Air Flow	Static Pressure	Noise	Weight
		● VAPO ○ BALL ◎ Sleeve	(VAC)	(Hz)	(AMP)	(WATTS)	(RPM)	(CFM)	(Inch-H ₂ O)	(dBA)	(g)
SP100-4F	1123XSL.GN	◎	115	50/60	0.26/0.24	22/20	2600/3000	92/110	0.32/0.36	43/48	435
SP101-4F	1123HSL.GN	◎	115	50/60	0.21/0.18	20/18	2550/2900	80/105	0.25/0.32	39/45	435
DP200-4F	2123XSL.GN	◎	220/240	50/60	0.14/0.12	22/21	2700/3100	90/110	0.32/0.37	44/49	435

Frame : Aluminum alloy



UNITS:mm



*All model could be customized on voltage or any other requirements to fit your need.

*Specifications subject to change without notice. Please Visit SUNON web site at <http://www.sunon.com> for update information.