

DRC23 Series Right Angle Miniature



New to the Deutsch I.P.D. line of P.C.B. Headers is the DRC23 Series. Specifically designed with size 20 contacts, this miniature version of the DRC13 Series will accept wire sizes of AWG 16 thru 20 (0.60 - 1.0 mm²). A contact current rating of 7.5 amps is specified with an operating temperature range of -55 C to +125 C. Deutsch engineers designed the header housing to be scoop-proof, thus preventing any damage of bent or broken contacts at the mating interface.

As with most all Deutsch P.C.B. interconnection systems, the contacts are molded into the thermoplastic housing, thus eliminating any potting materials that may cause problems during thermal cycling.

The DRC23 Series is available with four (4) keying positions, whereby mismating will not occur whenever the connectors are mounted side by side or in a modular mounting plate.

The DRC23 Series 40 pin header and 24 pin header are of a modular design.

Each can be mounted in a standard flange which provides durable sealing of either header. Custom flanges can be developed around customer needs for mounting hole location or multiple header mounting.

The new Deutsch DRC23 Series P.C.B. Header is indeed designed to meet the challenge of the heavy-duty truck, bus and off-highway electronic revolution.

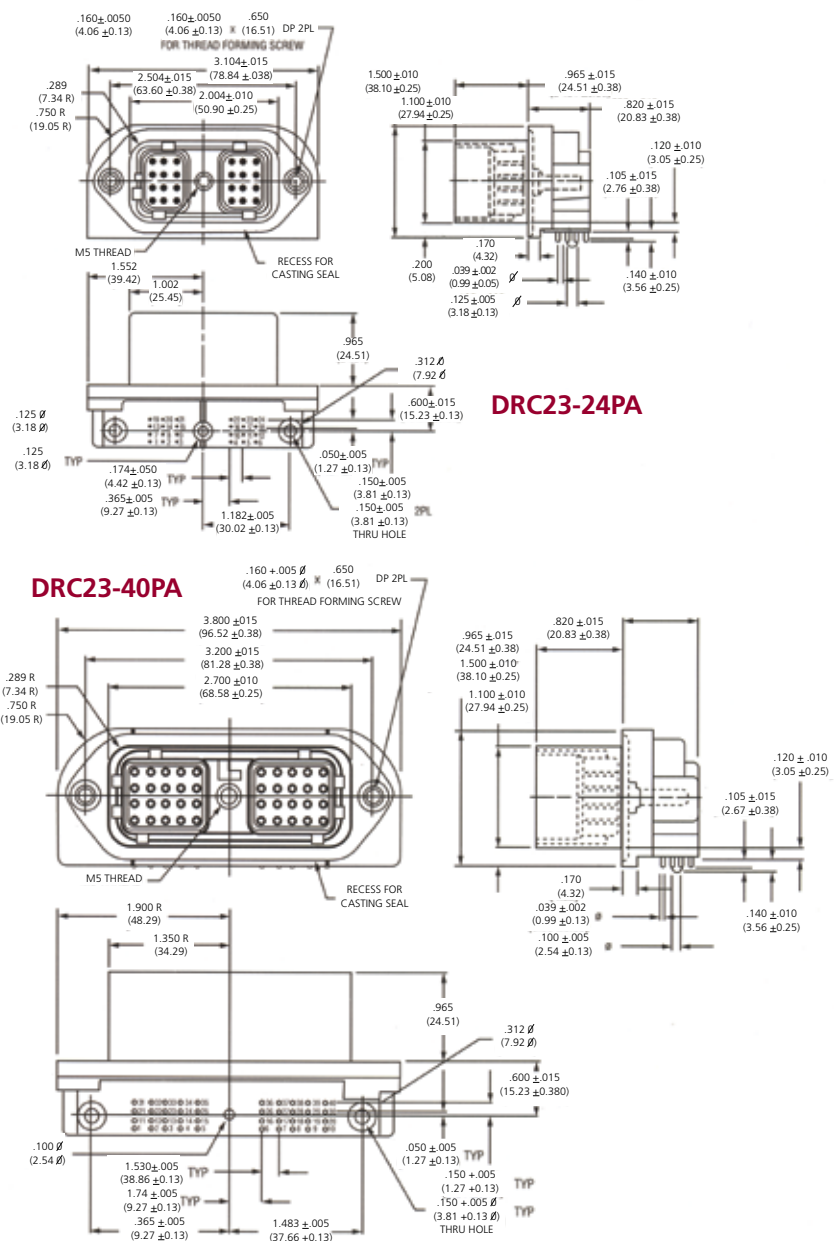
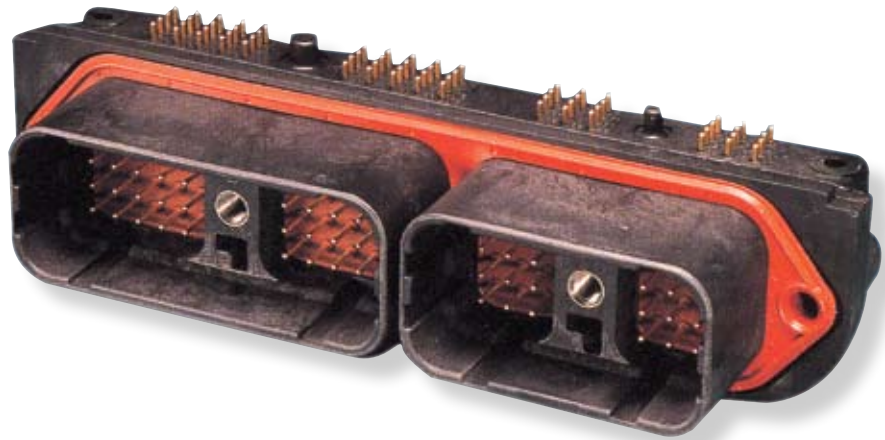
Materials

- Housing: Thermoplastic
- Seal: Silicone Elastomer
- Standoff: Stainless Steel
- Contacts: Molded-In Copper Alloy Gold Plated (Tin Optional) PCB Pins Standard
- Mtg Seal: Silicone (Supplied Std.)

Mating Plugs

- 24 Pin: DRC26-24S*
- 40 Pin: DRC26-40S*
- 64 Pin: DRC26-64S*
- 80 Pin: DRC26-80S*

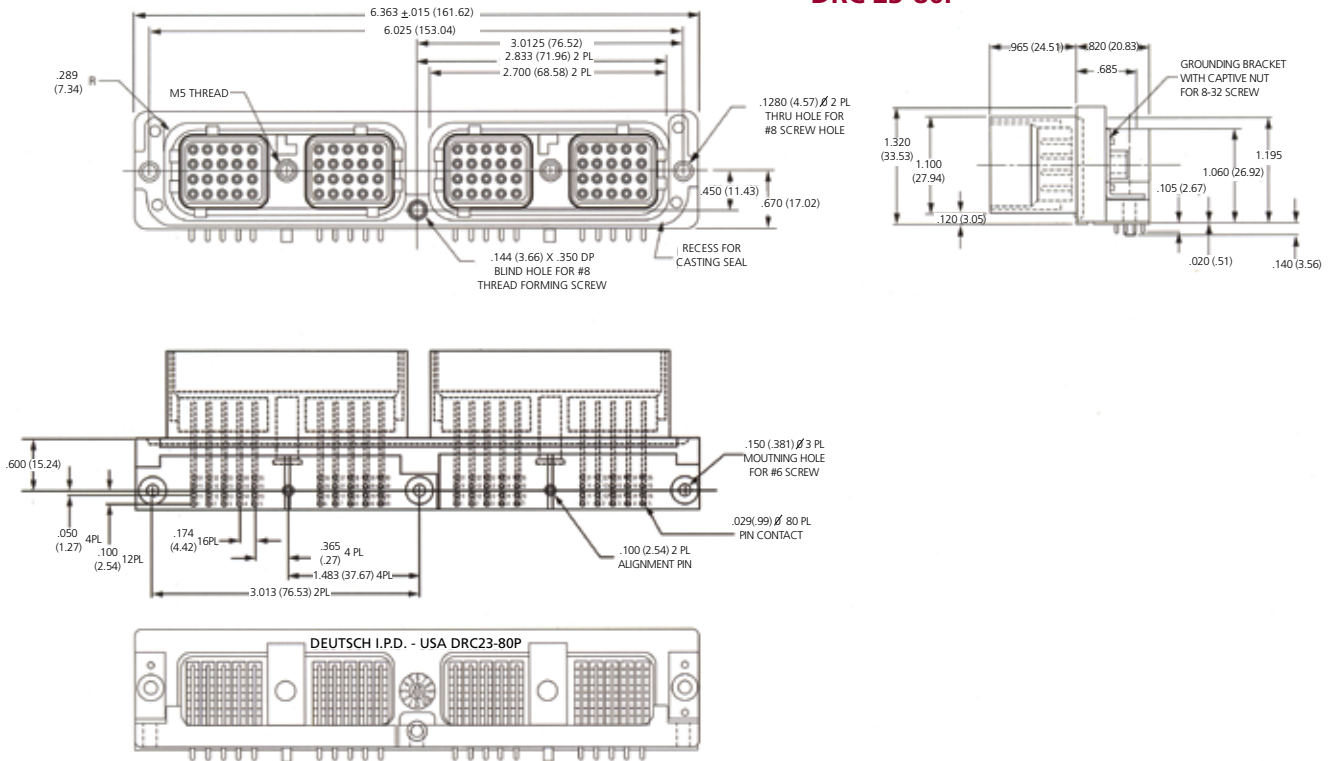
***Keying Positions:** Position "A" supplied as standard. Alternate positions B,C,& D are available.



DRC23 Series Right Angle Miniature



DRC 23-80P



DRC 23-64PAA

