

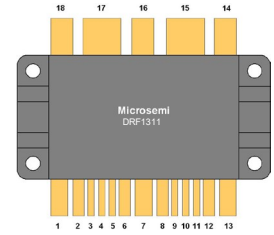
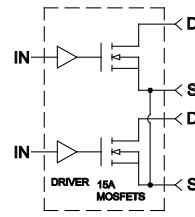
DRF1311

DATASHEET

1000V, 15A, 30MHz

MOSFET Push-Pull Hybrid

The DRF1311 is a push-pull hybrid containing two high power gate drivers and two power MOSFETs. It was designed to provide the system designer increased flexibility, higher performance, and lowered cost over a non-integrated solution. This low parasitic approach, coupled with the Schmitt trigger input, Kelvin signal ground, provide improved stability and control in Kilowatt to Multi-Kilowatt, High Frequency ISM applications.



Features

- Switching Frequency: DC TO 30MHz
- Low Pulse Width Distortion
- Single Power Supply (Per Section)
- 1V CMOS Schmitt Trigger Input 1V Hysteresis
- Inverting Non-Inverting Select

- RoHS Compliant
- Switching Speed 3-4ns
- $B_{V_{ds}} = 1Kv$
- $I_{ds} = 26A$ avg.
- $R_{DS(on)} \leq .55$ Ohm
- $P_D = 1000W$ Per-section

Typical Applications

- Class C, D and E RF Generators
- Switch Mode Power Amplifiers
- Pulse Generators
- Ultrasound Transducer Drivers
- Acoustic Optical Modulators

Driver Absolute Maximum Ratings

Symbol	Parameter	Min	Typ	Max	Unit
V_{dd}	Supply Voltage	8		15	V
IN	Signal Input to Source Voltage	-0.5		$V_{dd} + 0.3$	V
$I_{O_{PK}}$	Output Current Peak			15	A
T_{JMAX}	Operating Temperature			150	°C

Driver Specifications (Per-Section) @ $T_c = 25$

Symbol	Parameter	Min	Typ	Max	Unit
V_{dd}	Supply Voltage	8	12		V
$IN_{(R)}$	Input Voltage Rising Edge		2.5		ns
$IN_{(F)}$	Input Voltage Falling Edge		2.5		ns
I_{DDQ}	Quiescent Current, $V_{dd} = 12V$		15	25	mA
I_O	Output Current		15		A
C_{oss}	Output Capacitance		2500		pF
C_{iss}	Input Capacitance Input		35		pF
R_{IN}	Input Parallel Resistance $V_{in} = 5V, V_{dd} = 12V$		1		MΩ
$V_{T(ON)}$	V Threshold On, $V_{dd} = 12V, V_{in} = 0$ to 5V Ramp	2.2		3.2	V
$V_{T(OFF)}$	V Threshold Off, $V_{dd} = 12V, V_{in} = 5$ to 0V Ramp	1.0		1.9	V
t_r	Rise Time 10% to 90%, $V_{dd} = 12V, V_{in} = 5$ to 0V, $R_L = 1.0\Omega, C_L = 2nF$	1.5	2.5	3.0	ns
t_f	Fall Time 90% to 10%, $V_{dd} = 12V, V_{in} = 0$ to 5V, $R_L = 1.0\Omega, C_L = 2nF$	1.5	2.5	3.0	
$T_{D(ON)}$	On Delay Time, 50% to 50%, $V_{dd} = 12V, V_{in} = 0$ to 5V, $R_L = 1.0\Omega, C_L = 2nF$		18		
$T_{D(OFF)}$	Off Delay Time, 50% to 50%, $V_{dd} = 12V, V_{in} = 0$ to 5V, $R_L = 1.0\Omega, C_L = 2nF$		18		

DRF1311**DATASHEET****1000V, 15A, 30MHz****Driver Output Characteristics**

Symbol	Parameter	Min	Typ	Max	Unit
C_{out}	Output Capacitance		2500		pF
R_{out}	Output Resistance		0.5		Ω
L_{out}	Output Inductance	2	3	4	nH
F_{MAX}	Operating Frequency CL = 3nF + 50 Ω			60	MHz

Driver Thermal Characteristics

Symbol	Parameter	Min	Typ	Max	Unit
$R_{\theta JC}$	Thermal Resistance Junction to Case		1.5		$^{\circ}\text{C}/\text{W}$
T_j, T_{STG}	Operating and Storage Temperature	-55		150	$^{\circ}\text{C}$
P_{DC}	Maximum Power Dissipation @ $T_C = 25^{\circ}\text{C}$		80		W

MOSFET Absolutes Maximum Ratings (Per-Section)

Symbol	Parameter	Min	Typ	Max	Unit
BV_{DSS}	Drain Source Voltage	1000			V
I_D	Continuous Drain Current $T_{HS} = 25^{\circ}\text{C}$			15	A
$R_{DS(on)}$	Drain-Source On State Resistance		1		Ω
T_{jmax}	Operating Temperature			175	$^{\circ}\text{C}$

MOSFET Dynamic Characteristics (Per-Section)

Symbol	Parameter	Min	Typ	Max	Unit
C_{iss}	Input Capacitance, $V_{DS} = 100\text{V}$		1650		pF
C_{oss}	Output Capacitance, $V_{DS} = 100\text{V}$		158		
C_{rss}	Reverse Transfer Capacitance, $V_{DS} = 100\text{V}$		34		

MOSFET Thermal Characteristics (Total Package)

Symbol	Parameter	Min	Type	Max	Unit
$R_{\theta JC}$	Junction to Case Thermal Resistance		.06		$^{\circ}\text{C}/\text{W}$
$R_{\theta JHS}$	Junction to Heat Sink Thermal Resistance		.14		
T_{JSTG}	Storage Junction Temperature	-55		150	$^{\circ}\text{C}$
P_{DHS}	Maximum Power Dissipation @ $T_{SINK} = 25^{\circ}\text{C}$		1.07		KW
P_{DC}	Total Power Dissipation @ $T_C = 25^{\circ}\text{C}$		2.5		

Per Section Output Switching Performance, All Silicon Devices are Die Selected Temp = 25 $^{\circ}\text{C}$

ALL DATA IS COLLECTED USING THE TEST CIRCUIT AS SHOWN IN FIGURE 2

Symbol	Characteristic	Min	Typ	Max	Typ
t_f	Fall Time 90% to 10% $V_{dd} = 12\text{V}$, $V_{in} = 0$ to 5V, $V_{DS} = 100\text{V}$, $R_L = 16.6\Omega$, $C_L = 0.4\mu\text{F}$	1		2.5	ns
t_r	Rise Time 10% to 90% $V_{dd} = 12\text{V}$, $V_{in} = 0$ to 5V, $V_{DS} = 100\text{V}$, $R_L = 16.6\Omega$, $C_L = 0.4\mu\text{F}$	10		35	
$t_{DLY(ON)}$	ON Delay Time, 50% to 50% $V_{dd} = 12\text{V}$, $V_{in} = 0$ to 5V, $V_{DS} = 100\text{V}$, $R_L = 16.6\Omega$, $C_L = 0.4\mu\text{F}$	35		55	
$t_{DLY(OFF)}$	OFF Delay Time, 50% to 50% $V_{dd} = 12\text{V}$, $V_{in} = 0$ to 5V, $V_{DS} = 100\text{V}$, $R_L = 16.6\Omega$, $C_L = 0.4\mu\text{F}$	50		70	

DRF1311

DATASHEET

1000V, 15A, 30MHz

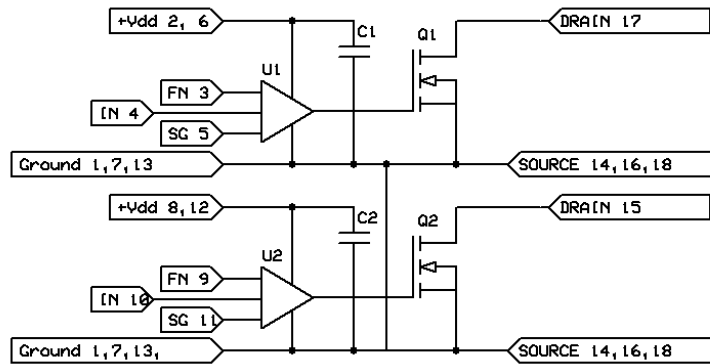


Figure 1, DRF1311 Circuit Diagram

The DRF1311 is configured as a Push Pull Hybrid incorporating two independent channels configured with a common source each consisting of a driver, a high voltage MOSFET and by-pass capacitors. The function of the by-pass capacitors C1 and C2 is to reduce the internal parasitic loop inductance. This coupled with the tight geometry of the hybrid allows optimal gate drive to the MOSFET. This low parasitic approach coupled with the Schmitt trigger input (IN), Kelvin signal ground (SG); provide improved stability and control in Kilowatt to Multi-Kilowatt high frequency applications. The IN pin should be referenced to the Kelvin Ground (SG) and is applied to a Schmitt Trigger. The SG pin is a Kelvin return for the IN pin only. The signal is then applied to the intermediate drivers and level shifters; this section contains proprietary circuitry designed specifically for ring abatement. To further increase the utility of the device the driver die and the MOSFET die are adjacent die selected. This provides a very close match in the turn on and propagation delays.

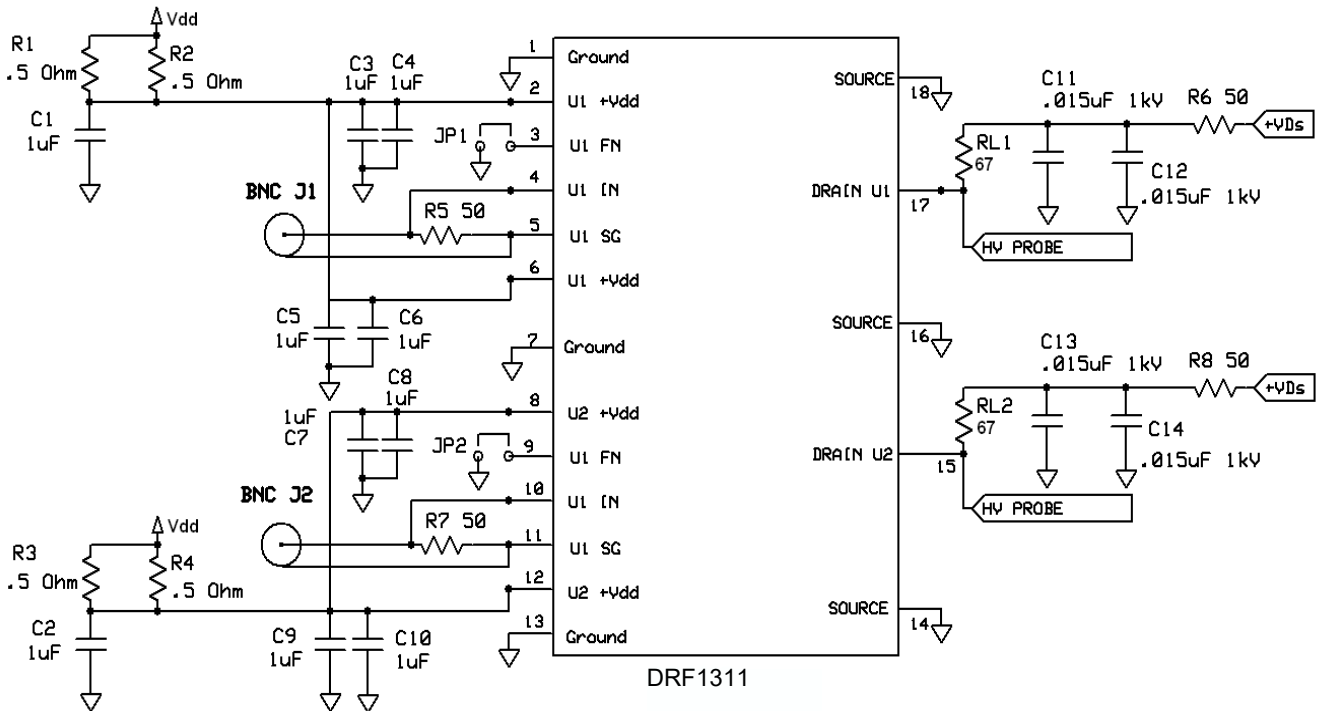


Figure 2, DRF1311 Test Circuit

The test circuit illustrated in Figure 2 was used to evaluate the DRF1311. The input control signal is applied via IN and SG pins using RG188. This provides excellent noise immunity and control of the signal ground currents. The $+V_{DD}$ inputs (pins 2, 6, 8 and 12) should be heavily by-passed by $1\mu\text{F}$ capacitors as close to the pins as possible. The capacitors used for this function must be capable of supporting the RMS currents and frequency of the gate load. R_L set for I_{DM} at V_{DS} max this load is used to evaluate the output performance.

DRF1311

DATASHEET

1000V, 15A, 30MHz

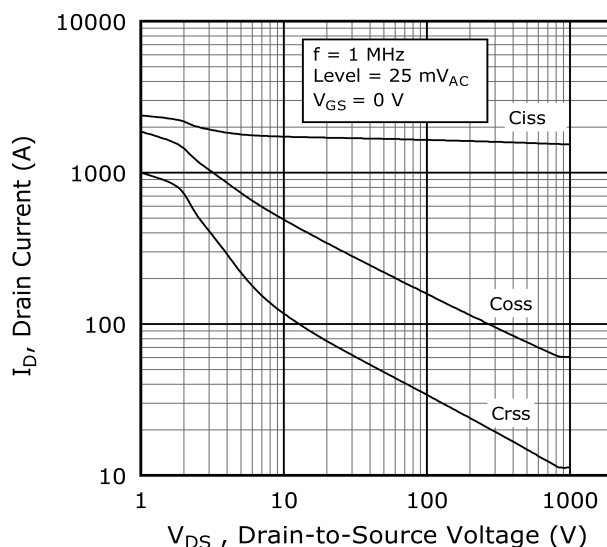


Figure 3, Typical Capacitance vs. Drain-to-Source Voltage

Pin Assignments	
Pin 1	Ground
Pin 2	U1 +Vdd
Pin 3	U1 FN
Pin 4	U1 IN
Pin 5	U1 SG
Pin 6	U1 +Vdd
Pin 7	Ground
Pin 8	U2 +Vdd
Pin 9	U2 FN
Pin 10	U2 IN
Pin 11	U2 SG
Pin 12	U2 +Vdd
Pin 13	Ground
Pin 14	Source
Pin 15	U2 Drain
Pin 16	Source
Pin 17	U1 Drain
Pin 18	Source

None of the inputs to U1 or U2 of the DRF1311 are isolated for direct connection to a ground referenced power supply or control circuitry. **Isolation appropriate to the application is the responsibility of the end user.** It is imperative that high output currents be restricted to the Source (14, 16, 18) and drain (15, 17) pins by design. See DRF100 for more information on Driver IC used in the device.

The Function (FN, pin 3 or pin 9) is the invert or non-invert select Pin, it is Internally held high.

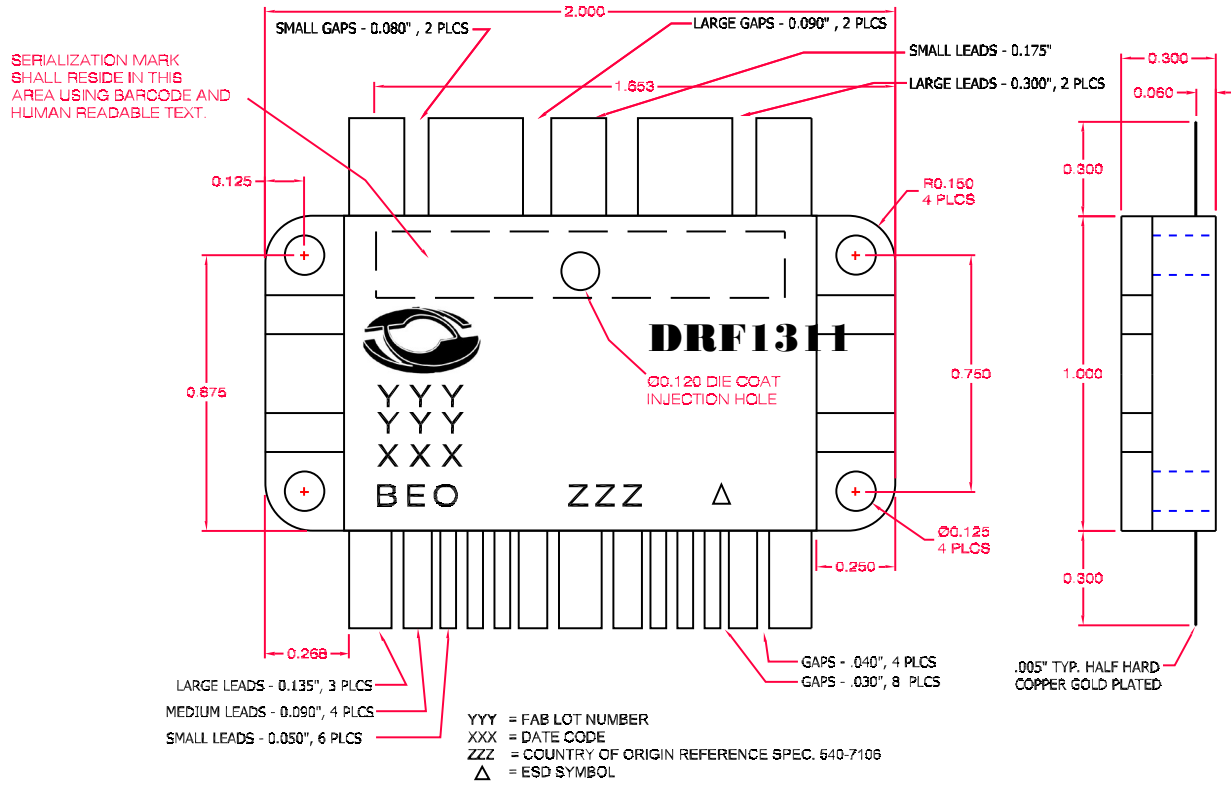
Truth Table * Referenced to SG		
FN (pin 3)	IN (pin 4)	MOSFET U1
HIGH	HIGH	ON
HIGH	LOW	OFF
LOW	HIGH	OFF
LOW	LOW	ON

Truth Table * Referenced to SG		
FN (pin 9)	IN (pin 10)	MOSFET U2
HIGH	HIGH	ON
HIGH	LOW	OFF
LOW	HIGH	OFF
LOW	LOW	ON

DRF1311

DATASHEET

1000V, 15A, 30MHz



All dimensions are ± 0.010
Figure 4, DRF1311 Mechanical Outline

**Microsemi**

2355 W. Chandler Blvd.
Chandler, AZ 85224 USA

Within the USA: +1 (480) 792-7200
Fax: +1 (480) 792-7277

www.microsemi.com © 2020 Microsemi and its corporate affiliates. All rights reserved. Microsemi and the Microsemi logo are trademarks of Microsemi Corporation and its corporate affiliates. All other trademarks and service marks are the property of their respective owners.

Microsemi's product warranty is set forth in Microsemi's Sales Order Terms and Conditions. Information contained in this publication is provided for the sole purpose of designing with and using Microsemi products. Information regarding device applications and the like is provided only for your convenience and may be superseded by updates. Buyer shall not rely on any data and performance specifications or parameters provided by Microsemi. It is your responsibility to ensure that your application meets with your specifications. THIS INFORMATION IS PROVIDED "AS IS." MICROSEMI MAKES NO REPRESENTATIONS OR WARRANTIES OF ANY KIND WHETHER EXPRESS OR IMPLIED, WRITTEN OR ORAL, STATUTORY OR OTHERWISE, RELATED TO THE INFORMATION, INCLUDING BUT NOT LIMITED TO ITS CONDITION, QUALITY, PERFORMANCE, NON-INFRINGEMENT, MERCHANTABILITY OR FITNESS FOR A PARTICULAR PURPOSE. IN NO EVENT WILL MICROSEMI BE LIABLE FOR ANY INDIRECT, SPECIAL, PUNITIVE, INCIDENTAL OR CONSEQUENTIAL LOSS, DAMAGE, COST OR EXPENSE WHATSOEVER RELATED TO THIS INFORMATION OR ITS USE, HOWEVER CAUSED, EVEN IF MICROSEMI HAS BEEN ADVISED OF THE POSSIBILITY OR THE DAMAGES ARE FORESEEABLE. TO THE FULLEST EXTENT ALLOWED BY LAW, MICROSEMI'S TOTAL LIABILITY ON ALL CLAIMS IN RELATED TO THIS INFORMATION OR ITS USE WILL NOT EXCEED THE AMOUNT OF FEES, IF ANY, YOU PAID DIRECTLY TO MICROSEMI FOR THIS INFORMATION. Use of Microsemi devices in life support, mission-critical equipment or applications, and/or safety applications is entirely at the buyer's risk, and the buyer agrees to defend and indemnify Microsemi from any and all damages, claims, suits, or expenses resulting from such use. No licenses are conveyed, implicitly or otherwise, under any Microsemi intellectual property rights unless otherwise stated.

Microsemi Corporation, a subsidiary of Microchip Technology Inc. (Nasdaq: MCHP), and its corporate affiliates are leading providers of smart, connected and secure embedded control solutions. Their easy-to-use development tools and comprehensive product portfolio enable customers to create optimal designs which reduce risk while lowering total system cost and time to market. These solutions serve more than 120,000 customers across the industrial, automotive, consumer, aerospace and defense, communications and computing markets. Headquartered in Chandler, Arizona, the company offers outstanding technical support along with dependable delivery and quality. Learn more at www.microsemi.com.