

Down Converter Fixed Type DRF2010.25



Product Features

- Integrated Monolithic GaAs Converter Package Module
- High Reliability
- Lower Manufacturing Cost
- Higher Productivity
- Very Low Noise Figure & Low Distortion
- Very Low Phase Noise

Application

- Repeater
- Base Station



Description

Converter is a very compact size due to using simple matching circuit board including PLL circuits and ROM. Customers can apply this part to systems.

Specifications (Test Condition : IF Freq.@-10dBm, IF 60MHz)

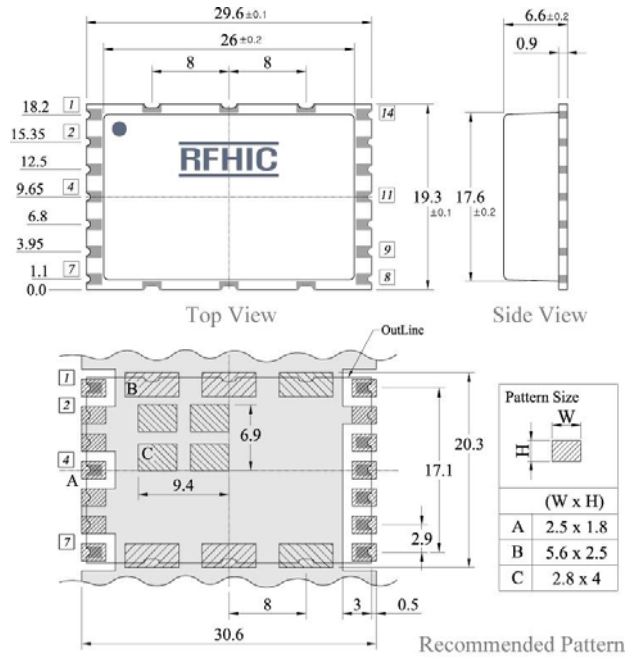
(Operating Temperature:-30°C~+70°C)

Parameters	DRF2010.25		
	Min.	Typ.	Max.
Input Frequency Range (MHz)		1950.25	
Output Frequency Range (MHz)		60	
LO Frequency (MHz)		2010.25 (Fixed)	
LO Output Level (dBm)	3	4.5 ± 1	
Conversion Gain (dB)	1	3	
Noise Figure (dB)		11	13.5
OIP3 (dBm)	20	22	
LO to RF Leakage (dBm)		-20	-12
LO to IF Leakage (dBm)		-20	-12
RF to IF Leakage (dBm)		-25	-20
LO Phase Noise		-75dBc/Hz@1KHz -95dBc/Hz@10KHz -118dBc/Hz@100KHz	-70dBc/Hz@1KHz -91dBc/Hz@10KHz -114dBc/Hz@100KHz
Vdd	4.85V	5V	5.15V
Current	160 mA	170mA	185mA

Down Converter Fixed Type DRF2010.25



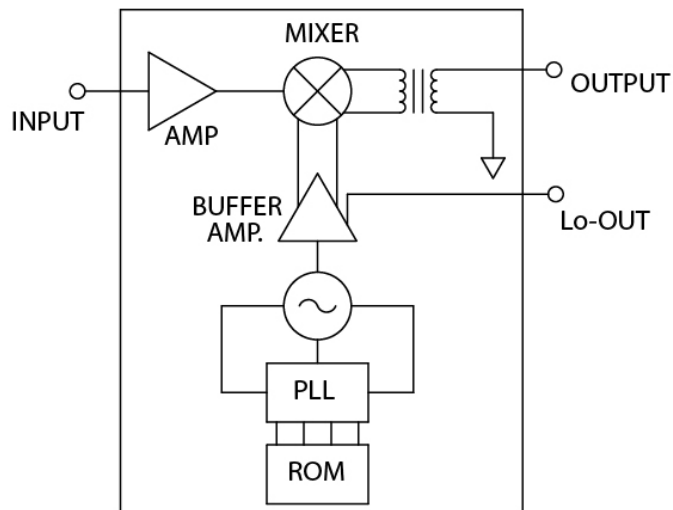
Dimensions in mm



Pin No.	Function	Pin No.	Function
1	Input	14	Output
2	Ground	13	Ground
3	Ground	12	Lo_Out
4	Vdd+5V	11	Fo/LD
5	Ground	10	LE (N.C)
6	Ground	9	Data (N.C)
7	Ref in	8	Clock(N.C)

Functional Diagram

www.DataSheet4U.com



RFHIC Corporation (RFHIC) reserves the right to make changes to any products herein or to discontinue any product at any time without notice. RFHIC do not assume any liability for the suitability of its products for any particular purpose, and disclaims any and all liability, including without limitation consequential or incidental damages. The product specifications herein expressed have been carefully checked and are assumed to be reliable. However, RFHIC disclaims liability for inaccuracies and strongly recommends buyers to verify that the information they are using is current before placing purchase orders. RFHIC products are not intended for use in life support equipment or application where malfunction of the product can be expected to result in personal injury or death. Buyer uses or sells such products for any such unintended or unauthorized application, buyer shall indemnify, protect and hold RFHIC and its directors, officers, stockholders, employees, representatives and distributors harmless against any and all claims arising out of such use. RFHIC's liability under or arising out of damages, claims of whatsoever kind and nature which RFHIC products could cause shall be limited in amount to the net purchase price of the products sold to buyer by RFHIC.