

DRP10 SERIES



10A DIN RAIL MOUNTABLE
REDUNDANT MODULE

FEATURES

- SUITABLE FOR REDUNDANT OPERATION OF 24V SYSTEM MAX 10A

SPECIFICATION

GENERAL

Characteristics	Conditions	min.	typ.	max.	unit
Ambient temperature	Operating at V_i nom	-25		+ 71	°C
Storage temperature	Non operational	-25		+ 85	°C
Relative humidity	V_i nom, I_o nom	20		95	% RH
Dimension	L91 x W35 x D56.2				mm
Cooling	Free air convection				
Case material	Plastic				

INPUT SPECIFICATIONS

Characteristics	Conditions	min.	typ.	max.	unit
Rated input voltage	I_o nom	21		28	VDC
Number of inputs			2		
Input current (max)				10	A

OUTPUT SPECIFICATIONS

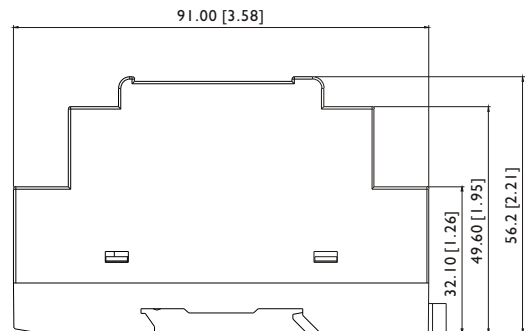
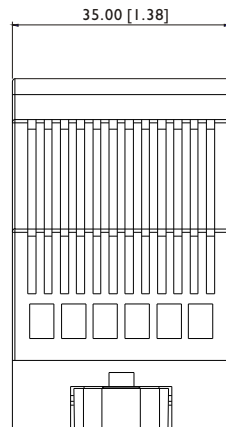
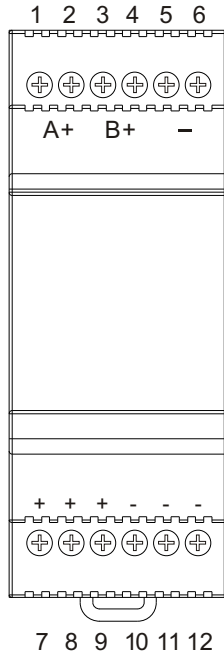
Characteristics	Conditions	min.	typ.	max.	unit
Output voltage drop	V_i n - V_{out}		0.5		V
Output current	V_i nom			10	A
Reverse voltage (max)				30	V

APPROVALS AND STANDARDS

CE	EN61000-6-3, EN55022 class B
	EN61000-6-2, EN55024
	EN61204-3

MECHANISM & PIN CONFIGURATION

mm [inch]



CONSTRUCTION

Easy snap-on mounting onto the DIN-Rail (TS35/7.5 or TS35/15), unit sits safely and firmly on the rail; no tools required even to remove

INSTALLATION

Ventilation / Cooling
 Normal convection
 All sides 25mm free space
 For cooling recommended
 Connector size range
 Solid: 0.2-2.0mm² (AWG24-14)
 (use copper conductors only)

PIN ASSIGNMENT

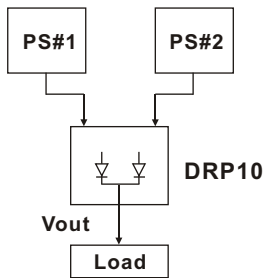
PIN NO.	Designation	Description
1	IN	A+
2		A+
3		B+
4		B+
5		-
6		-
7	OUT	+
8		+
9		+
10		-
11		-
12		-

PHYSICAL CHARACTERISTICS

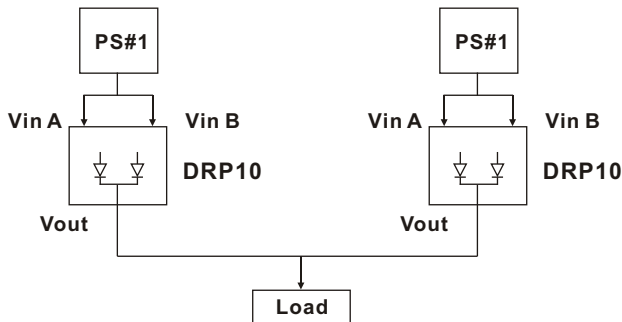
CASE SIZE	
SCREW TERMINAL TYPE	91 x 35 x 56.2 mm (3.58 x 1.38 x 2.21 inches)
CASE MATERIAL	Plastic
WEIGHT	75g

TYPICAL APPLICATION NOTES

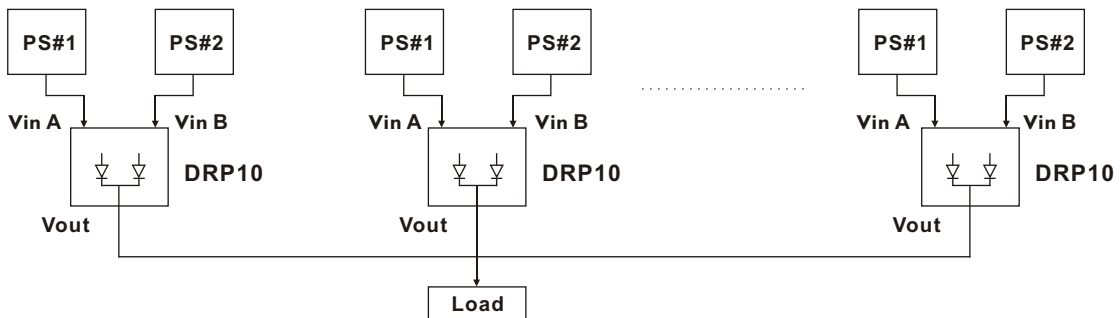
1.) 1 + 1 Redundancy : Using 1 more PS as the redundant unit.



2.) Single Use : Connecting only one PS to one DRP10 to reduce the stress of the diodes and hence increase the reliability.



3.) 1 + N Redundancy : Using 1 more PS as the redundant units to increase the reliability.



CIRCUIT SCHEMATIC

