

DRP20 SERIES



20A DIN RAIL MOUNTABLE
REDUNDANT MODULE

FEATURES

- SUITABLE FOR REDUNDANT OPERATION OF 24V SYSTEM MAX 20A
- READY RELAY CONTACTS
- DECOUPLING DIODES
- LED INDICATOR FOR INPUT FAILURE ALARM.

SPECIFICATION

GENERAL

Characteristics	Conditions	min.	typ.	max.	unit
Isolation voltage	Input / Relay contact	100			VDC
Isolation resistance	Input / Relay contact, @ 100VDC	100			MΩ
Ambient temperature	Operating at Vi nom	-25		+ 71	°C
Storage temperature	Non operational	-25		+ 85	°C
Relative humidity	Vi nom, Io nom	20		95	% RH
Dimension	L90 x W54 x D113.5				mm
Cooling	Free air convection				
Case material	Plastic				

INPUT SPECIFICATIONS

Characteristics	Conditions	min.	typ.	max.	unit
Rated input voltage	Io nom	21		28	VDC
Number of inputs			2		
Input current (max)				20	A

OUTPUT SPECIFICATIONS

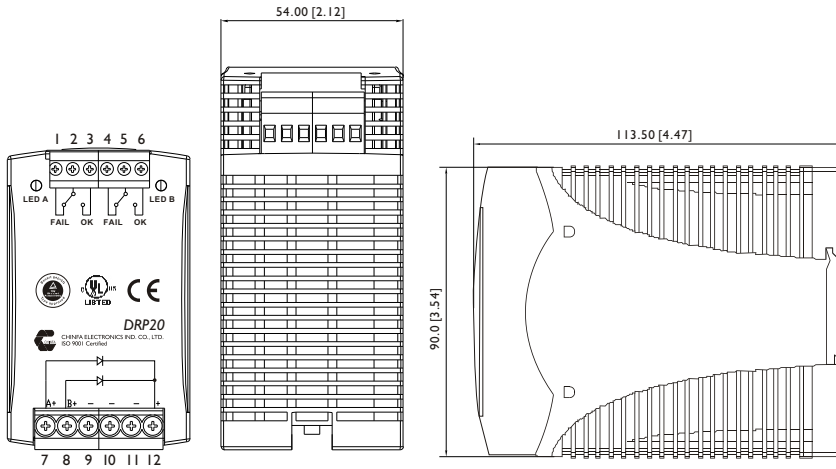
Characteristics	Conditions	min.	typ.	max.	unit
Output voltage drop	Vi n - Vout		0.5		V
Output current	Vi nom			20	A
Reverse voltage (max)				30	V
DC ON indicator	Two LEDs indicating each input is "ok or fail"	Green LED			

CONTROL FUNCTION

Characteristics	Conditions	min.	typ.	max.	unit
Power Rdy	OK	When input is >20V(± 5%) or <30V(± 5%)			
	Fail	When input is <20V(± 5%) or >30V(± 5%)			
	Contact rating at 30VDC			1.0	A

MECHANISM & PIN CONFIGURATION

mm [inch]



CONSTRUCTION

Easy snap-on mounting onto the DIN-Rail (TS35/7.5 or TS35/15), unit sits safely and firmly on the rail; no tools required even to remove

INSTALLATION

Ventilation / Cooling
 Normal convection
 All sides 25mm free space
 For cooling recommended
 Connector size range
 Solid: 0.2-2.0mm² (AWG24-14)
 (use copper conductors only)

APPROVALS AND STANDARDS

UL/cUL	UL508 Listed UL60950-I Recognized
TUV	EN60950-I
CE	EN61000-6-3, EN55022 class B EN61000-6-2, En55024 EN61204-3

PIN ASSIGNMENT

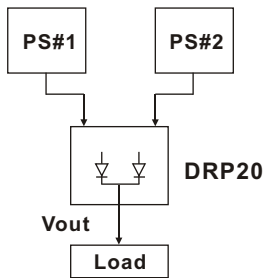
PIN NO.	Designation		Description
1	RDY B	FAIL	A normal open relay contact for DC ON level control
2		COM B	
3		O.K	
4		FAIL	
5		COM A	
6		O.K	
7	+	A+	Input terminal
8	+	B+	
9	-		Negative output terminal / input terminal
10	-		
11	-		
12	+		Positive output terminal

PHYSICAL CHARACTERISTICS

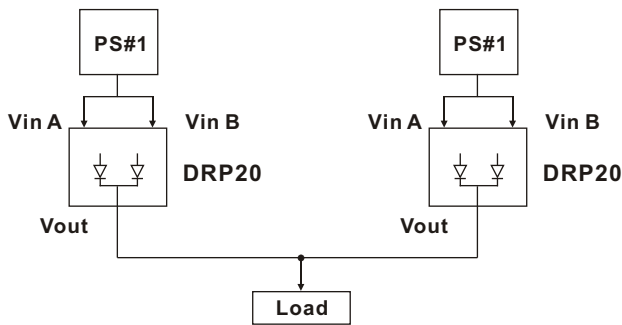
CASE SIZE	
SCREW TERMINAL TYPE	90 x 54 x 113.5 mm (3.54 x 2.12 x 4.47 inches)
CASE MATERIAL	Plastic
WEIGHT	210g

TYPICAL APPLICATION NOTES

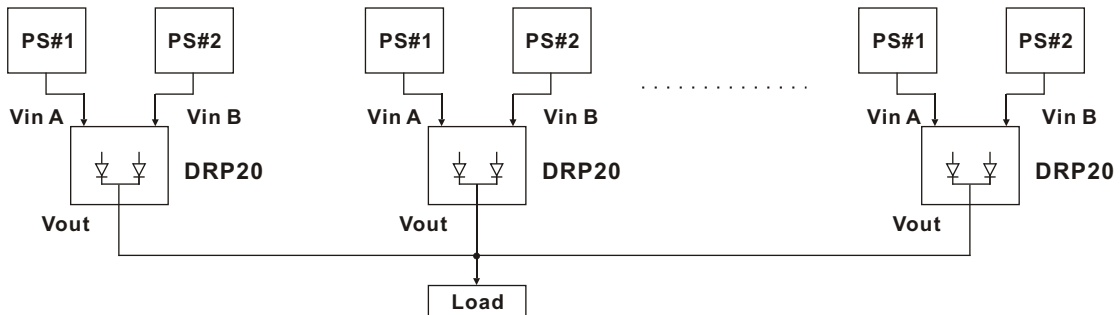
1.) I + I Redundancy : Using I more PS as the redundant unit.



2.) Single Use : Connecting only one PS to one DRP20 to reduce the stress of the diodes and hence increase the reliability.



3.) I + N Redundancy : Using I more PS as the redundant units to increase the reliability.



CIRCUIT SCHEMATIC

