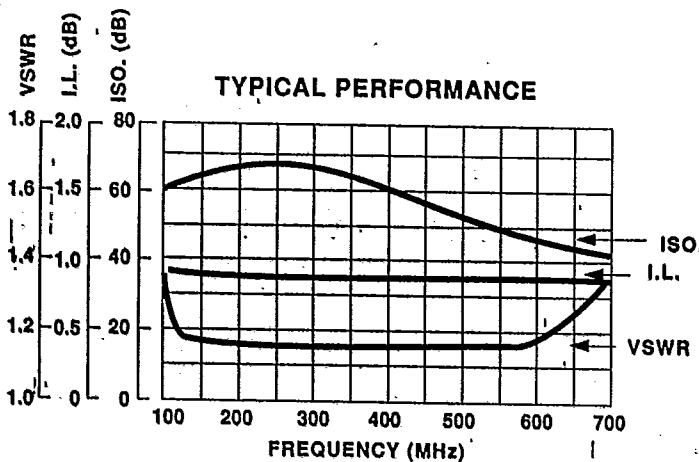
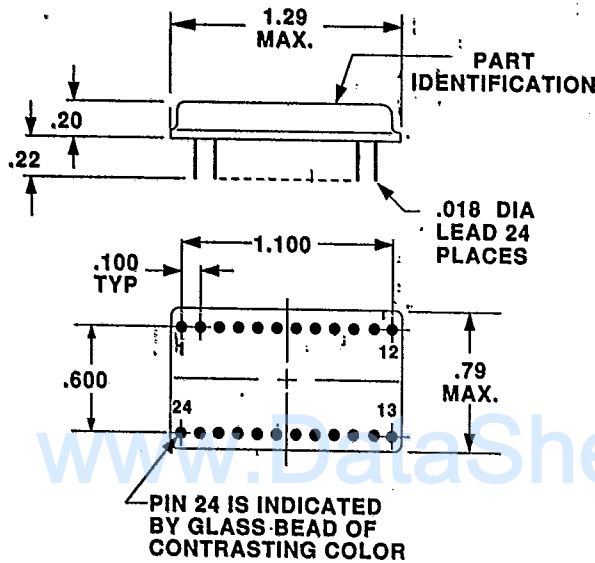
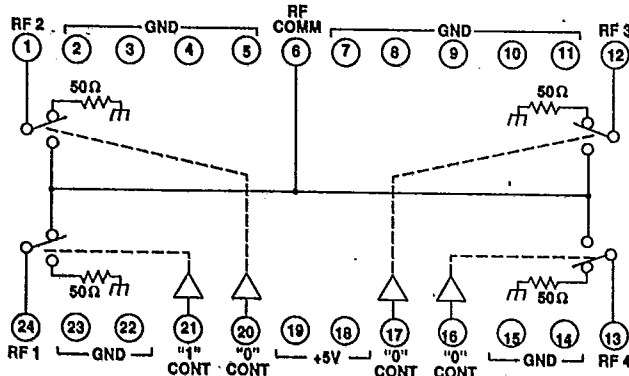


T-51-11

DSO404 SP4T

- Built-in TTL compatible driver
- Unused ports terminated in 50 ohms



OPERATING CHARACTERISTICS

PARAMETER	MIN	TYP	MAX	UNITS	CONDITIONS
CURRENT DRAIN		135	180	µA	AT +5 VDC SUPPLY
SWITCHING TIME			100	nSEC	50% TTL TO 90/10% RF
CONTROL CURRENT, HI		25		µA	V _{IH} = 2.7V
CONTROL CURRENT, LO		-200		µA	V _{IL} = 0.5V
INSERTION LOSS			1.5	dB	
ISOLATION	40			dB	
VSWR			1.35/1		
IMPEDANCE		50		OHMS	
RF POWER, OPERATE MAXIMUM		+10	+30	dBm	.1 DB COMPRESSION NO DAMAGE
OPERATING FREQUENCY	200		500	MHz	
OPERATING TEMPERATURE	-55		+125	°C	TA

CONTROL: 4 LINE L8TTL, LOGIC #1=ON

MODEL NO. DSO404



SP4T
200-500 MHz