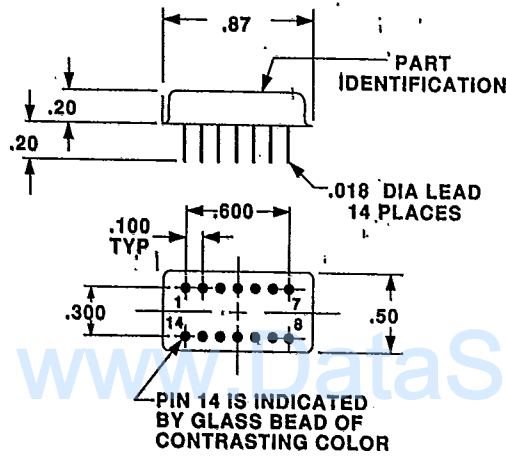
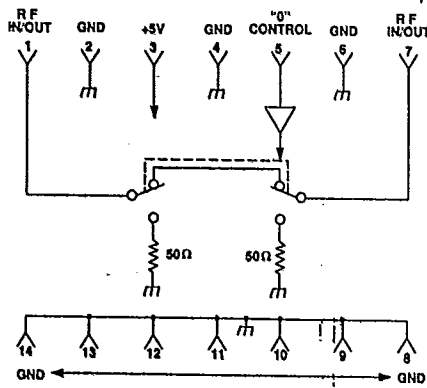


T-51-11

DS0411 SPST

- Fast switching speed
- Built-in TTL compatible driver

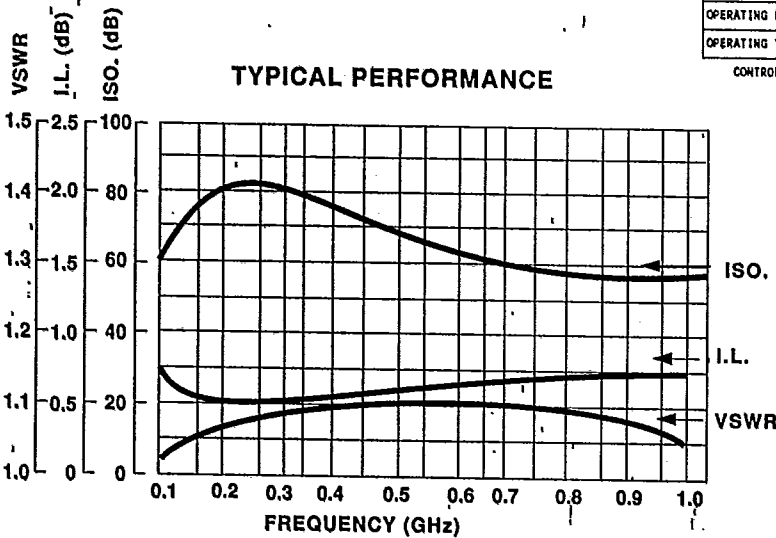


OPERATING CHARACTERISTICS

PARAMETER	MIN	TYP	MAX	UNITS	CONDITIONS
CURRENT DRAIN		70	110	mA	AT +5 VDC SUPPLY
SWITCHING SPEED			500	nSEC	50% TTL TO 90/10% RF
CONTROL CURRENT, HI			50	μA	V _{IH} = 2.7V
CONTROL CURRENT, LO			-400	μA	V _{IL} = 0.5V
INSERTION LOSS			1.2	dB	
ISOLATION	60			dB	
VSWR TERM, VSWR			1.25/1		
IMPEDANCE		50		OHMS	
RF POWER, OPERATE MAXIMUM			+13	dBm	.1 DB COMPRESSION
			+30	dBm	NO DAMAGE
OPERATING FREQUENCY	400		450	MHz	
OPERATING TEMPERATURE	-55		+85	°C	TA

CONTROL: 1 LIKE LSTTL, LOGIC "0" = THRU (DS0411)
"1" = THRU (DS0411-RL)

TYPICAL PERFORMANCE



MODEL NO. DS0411



SPST
400-450 MHz