

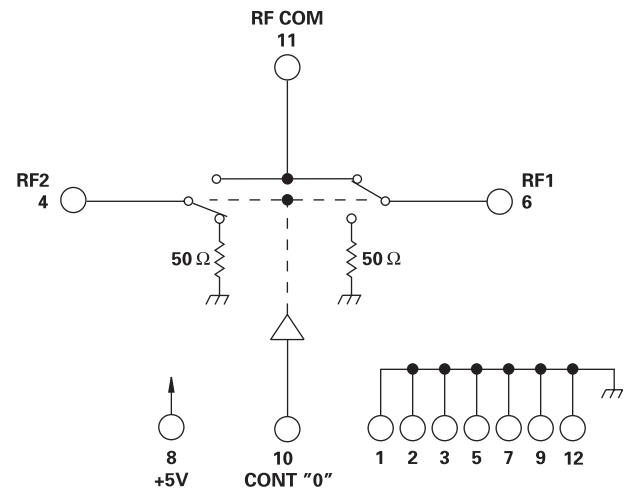
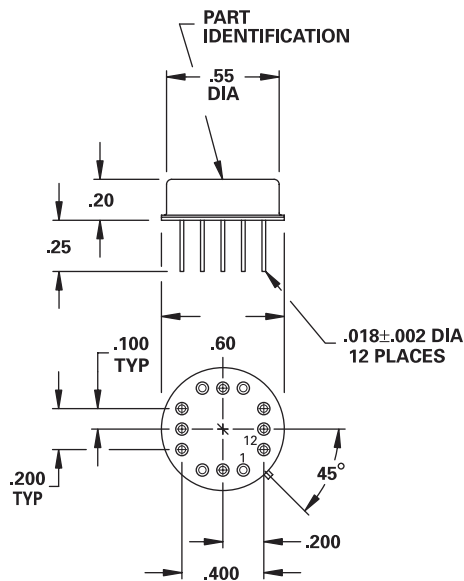
MODEL NUMBER DS0812

GaAs SP2T

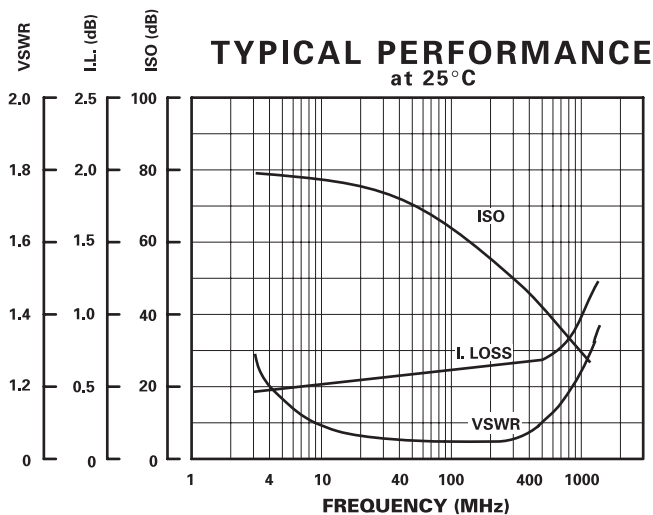
FEATURES

- 10-1000 MHz
- 3 mA, +5 VDC
- Non-Reflective
- TTL Driver
- Small TO-8 Package
- See DS0712 For Surface Mount Version
- Low Cost

SP2T



GUARANTEED PERFORMANCE



Parameter	Min	Typ	Max	Units	Conditions
Operating Frequency	10		1000	MHz	
DC Current		3.0	5.0	mA	At +5 VDC Supply
Control Type		TTL			1 Line Logic "0" = RF COM to RF2 Logic "1" = RF COM to RF1
Control Current		0	±10	μA	V _{IH} = +3.0V V _{IL} = +0.5V
Insertion Loss		0.5	0.85	dB	10 - 100 MHz
		0.9	1.25	dB	100 - 1000 MHz
Isolation	50	64		dB	10 - 100 MHz
	40	53		dB	100 - 300 MHz
	25	35		dB	300 - 1000 MHz
VSWR		1.2/1	1.4/1		Thru Termination
Impedance		50		OHMS	
Switching Speed		50	70	nSEC	50% TTL To 90% / 10% RF
Transition (Rise/Fall) Time		30		nSEC	90% / 10% or 10% / 90% RF
Switching (Video) Transients		36	50	mV	Peak Value
Intercept Points	2nd	+84		dBm	450 MHz / 260 MHz
	3rd	+50		dBm	225 MHz / 260 MHz
RF Power	Operate	+8	+5	dBm	10 - 100 MHz 0.1 dB Comp.
		+13	+10	dBm	100 - 1000 MHz 0.1 dB Comp.
	No Damage		+30	dBm	
Operating Temperature	-55	+25	+125	°C	TA