



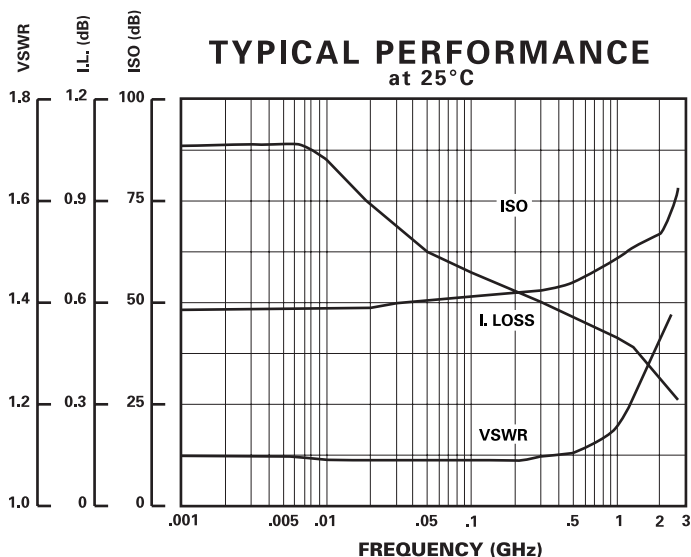
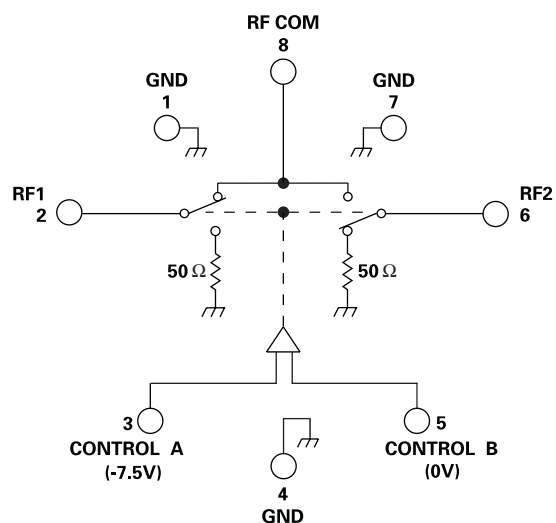
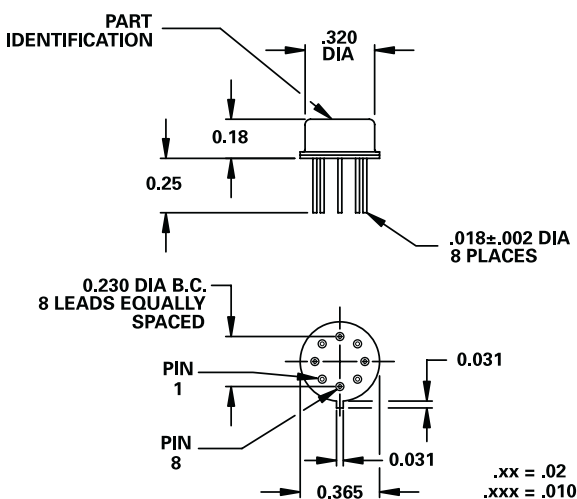
## MODEL NUMBER DS0850-T

## GaAs SP2T

### FEATURES

- DC-2000 MHz
- 3 nSec Transition Time
- Non-Reflective
- Ultra Small TO-5 Package
- Low Cost
- See DS0813-T For Version With Integrated TTL Driver

## SP2T



LOGIC TABLE

CONT A	CONT B	RF COM TO:
-7.5V	0V	RF1
0V	-7.5V	RF2

### GUARANTEED PERFORMANCE

Parameter	Min	Typ	Max	Units	Conditions
Operating Frequency	DC		2000	MHz	
Control Type					See Logic Table
Control Current		10	-200	μA	V <sub>IH</sub> = -7.0V
		4	+20	μA	V <sub>IL</sub> = +0V
Insertion Loss		0.7	0.9	dB	DC - 500 MHz
		0.9	1.2	dB	500 - 2000 MHz
Isolation	40	50		dB	DC - 100 MHz
	30	36		dB	100 - 500 MHz
	20	24		dB	500 - 2000 MHz
VSWR		1.1/1	1.3/1		DC - 500 MHz
		1.5/1	1.7/1		500 - 2000 MHz
		1.1/1	1.3/1		DC - 500 MHz
		1.5/1	1.7/1		500 - 2000 MHz
Impedance		50		OHMS	
Transition (Rise/Fall) Time		3	10	nSEC	90% / 10% or 10% / 90% RF
Switching (Video) Transients		20		mV	
Intercept Points	2nd	+68		dBm	70 MHz / 50 MHz
	3rd	+41		dBm	35 MHz / 50 MHz
RF Power	Operate	+22	+18	dBm	0.1 dB Comp. Above 100 MHz
	No Damage		+30	dBm	
Operating Temperature	-55	+25	+125	°C	TA