

## FEATURES

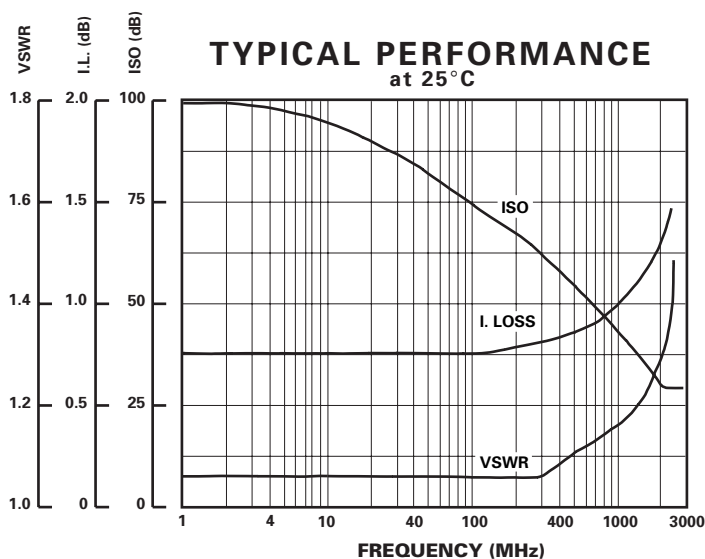
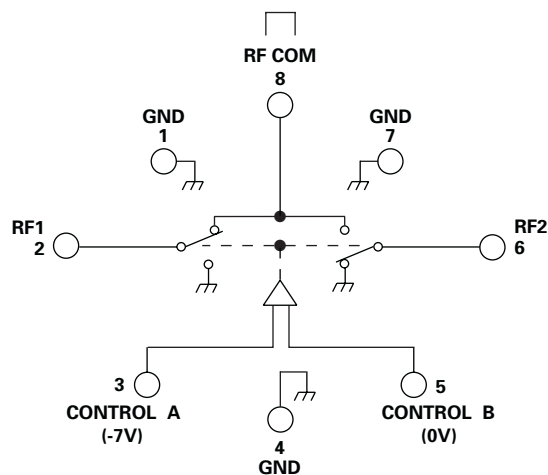
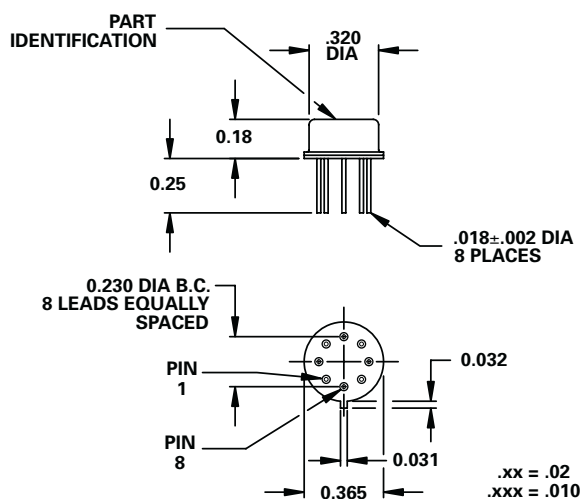
- DC - 2000 MHz
- 3 nSec Transition Time
- Ultra Small TO-5 Package
- Low Cost
- See DS0813 For Version With Integrated TTL Driver

SP2T



# MODEL NO. DS0850

## GaAs SP2T



## GUARANTEED PERFORMANCE

Parameter	Min	Typ	Max	Units	Conditions
Operating Frequency	DC		2000	MHz	
Control Type					See Logic Table
Control Current	<i>High</i>	-10	-200	μA	<i>V<sub>IH</sub></i> = -7V
	<i>Low</i>	4	20	μA	<i>V<sub>IL</sub></i> = +0.5V
Insertion Loss		0.4	0.7	dB	DC - 500 MHz
		0.6	1.0	dB	500 - 2000 MHz
Isolation	60	68		dB	DC - 80 MHz
	40	47		dB	80 - 500 MHz
	25	32		dB	500 - 2000 MHz
VSWR	Thru	1.1/1	1.5/1		DC - 500 MHz
		1.3/1	1.5/1		500 - 2000 MHz
Impedance		50		OHMS	
Transition (Rise/Fall) Time		3		nSEC	90% / 10% or 10% / 90% RF
Switching (Video) Transients		12	50	mV	Peak Value
Intercept Points	<i>2nd</i>	+70		dBm	70 MHz / 50 MHz
	<i>3rd</i>	+52		dBm	35 MHz / 50 MHz
RF Power	<i>Operate</i>	+17	+13	dBm	1.0 dB Comp. 1 - 25 MHz
		+27	+25	dBm	1.0 dB Comp. Above 25 MHz
	<i>No Damage</i>		+30	dBm	
Operating Temperature	-55	+25	+125	°C	TA

### LOGIC TABLE

CONT A	CONT B	RF COM TO:
-7V	0V	RF1
0V	-7V	RF2