

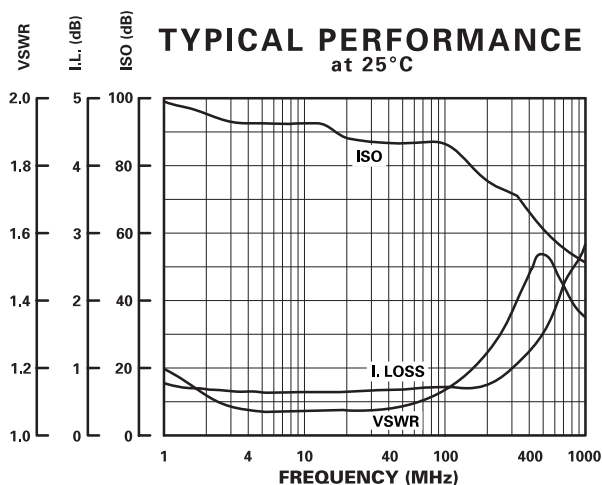
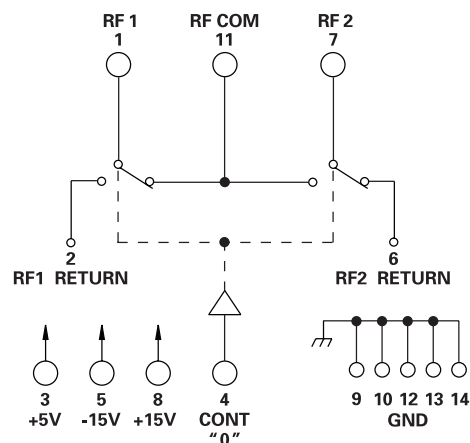
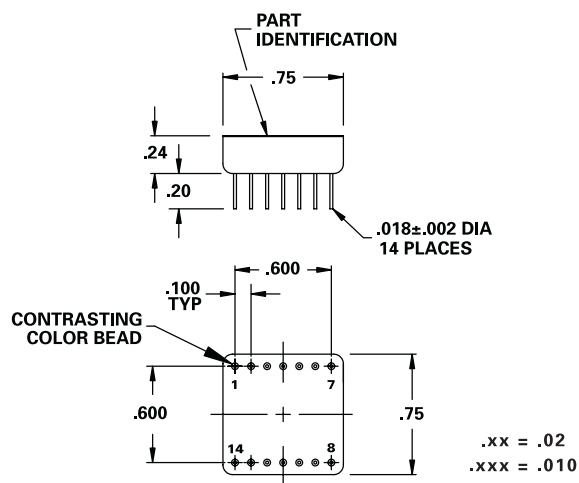
## MODEL NUMBER DS0880

## PIN Diode SP2T

### FEATURES

- 1-250 MHz
- Very High Intercept Points
- One Watt Power Handling
- Low Insertion Loss

## SP2T



RF POWER (dBm) TABLE				
FREQ MHz	0.1 dB Comp		1.0 dB Comp	
	TYP	MAX	TYP	MAX
1 - 2	+15		+31	
2 - 5	+26		+36	+33
5 - 10	+35	+33	>+42	
10 - 250	+40	+33	>+42	
No Damage		+37		

### GUARANTEED PERFORMANCE

Parameter	Min	Typ	Max	Units	Conditions
Operating Frequency	1		250	MHz	
DC Current		2	10	mA	At +5 VDC Supply
		25	40	mA	At +15 VDC Supply
		26	40	mA	At -15 VDC Supply
Control Type		TTL			1 Line Logic "0" = RF COM to RF1 Logic "1" = RF COM to RF2
Control Current	High			μA	V <sub>IH</sub> = +2.7V
	Low			μA	V <sub>IL</sub> = +0.5V
Insertion Loss		0.8	1.4	dB	
Isolation		75	86	dB	1 - 100 MHz
		65	72	dB	100 - 250 MHz
VSWR	Thru	1.15/1	1.3/1		1 - 100 MHz
		1.3/1	1.5/1		100 - 250 MHz
Impedance		50		OHMS	
Switching Speed		20	40	μSEC	50% TTL to 90% / 10% RF
Transition (Rise/Fall) Time		12		μSEC	90% / 10% or 10% / 90% RF
Switching (Video) Transients		2.5		V	Peak Value
Intercept Points	2nd	+106		dBm	70 MHz / 50 MHz
	3rd	+57		dBm	35 MHz / 50 MHz
RF Power	Operate				See Table
Operating Temperature	-55	+25	+125	°C	TA