

## DS14C535 +5V Supply EIA/TIA-232 3 x 5 Driver/Receiver

Check for Samples: [DS14C535](#)

### FEATURES

- Pin Compatible with DS14C335
- Conforms to EIA/TIA-232-E and CCITT (ITU-T) V.28 Specifications
- Failsafe Receiver Outputs High When Inputs Open
- Operates with Single +5V Power Supply
- Low Power Requirement— $I_{CC}$  12 mA Maximum
- SHUTDOWN Mode— $I_{CX}$  10  $\mu$ A Maximum
- One Receiver (R5) Active During SHUTDOWN
- Operates up to 128 kbps—Lap-Link Compatible
- 4V/ $\mu$ s Minimum Slew Rate Ensured
- ESD Rating of 3 kV on All Pins (H, B, M)
- Available in 28-lead SSOP EIAJ Type II Package
- Only Four 0.1  $\mu$ F Capacitors Required for the DC-DC Converter

### DESCRIPTION

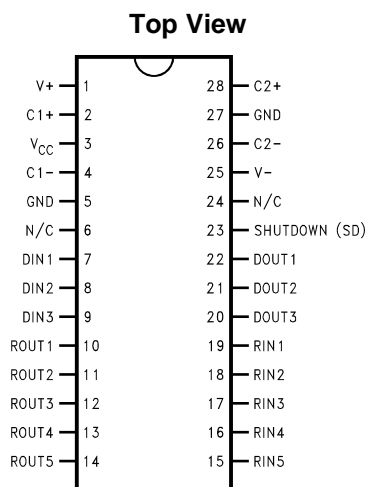
The DS14C535 is three driver, five receiver device which conforms to EIA/TIA-232-E and CCITT (ITU-T) V.28 standard specifications. This device employs an internal DC-DC converter to generate the necessary output levels from a +5V power supply. A SHUTDOWN (SD) mode reduces the supply current to 10  $\mu$ A maximum. In the SD mode, one receiver is active, allowing ring indicator (RI) to be monitored. PC Board space consumption is minimized by the availability of Shrink Small Outline Packaging (SSOP).

The DS14C535 provides a one-chip solution for the common 9-pin serial RS-232 interface between data terminal and data circuit-terminating equipment.

This device allows an easy migration path to the 3.3V DS14C335. The packages are the same. The N/C pins on the DS14C535 are not physically connected to the chip. Board layout for the DS14C335 will accommodate both devices.

This device's low power requirement and small footprint makes it an ideal choice for Laptop and Notebook applications.

### Connection Diagram



**Figure 1. 28-Lead SSOP  
See DB Package**



Please be aware that an important notice concerning availability, standard warranty, and use in critical applications of Texas Instruments semiconductor products and disclaimers thereto appears at the end of this data sheet.

All trademarks are the property of their respective owners.

Functional Diagram

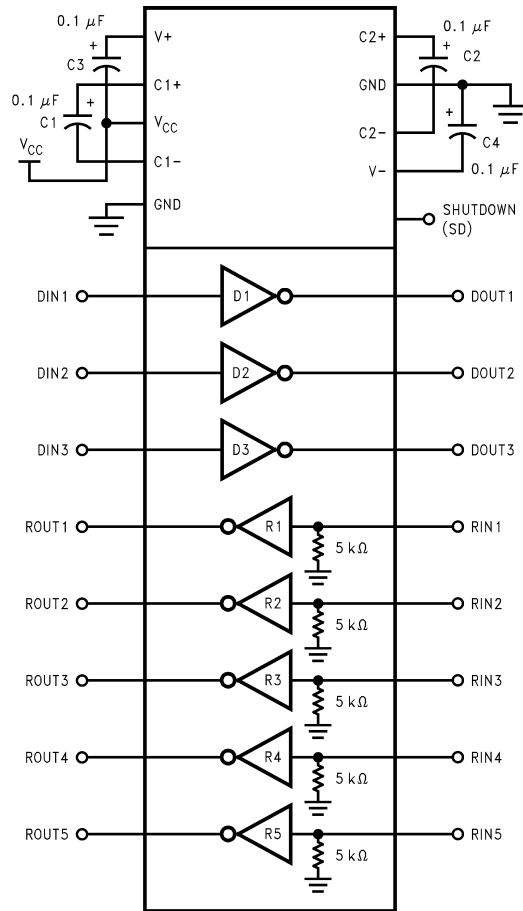


Figure 2.



These devices have limited built-in ESD protection. The leads should be shorted together or the device placed in conductive foam during storage or handling to prevent electrostatic damage to the MOS gates.

**Absolute Maximum Ratings<sup>(1)(2)</sup>**

Supply Voltage ( $V_{CC}$ )	-0.3V to +6V
$V^+$ Pin	$(V_{CC} - 0.3V)$ to +14V
$V^-$ Pin	+0.3V to -14V
Input Voltage ( $D_{IN}$ , SD)	-0.3V to +5.5V
Driver Output Voltage	$(V^+ + 0.3V)$ to $(V^- - 0.3V)$
Receiver Input Voltage	$\pm 25V$
Receiver Output Voltage	- 0.3V to $(V_{CC} + 0.3V)$
Junction Temperature	+150°C
Storage Temperature Range	-65°C to +150°C
Lead Temperature (Soldering 4 sec.)	+260°C
Short Circuit Duration ( $D_{OUT}$ )	Continuous
Maximum Package Power Dissipation @ +25°C	
SSOP DB Package	1286 mW
Derate DB Package	10.3 mW/°C above +25°C
ESD Rating (HBM, 1.5 k $\Omega$ , 100 pF)	$\geq 3.0$ kV

- (1) "Absolute Maximum Ratings" are those values beyond which the safety of the device cannot be specified. They are not meant to imply that the devices should be operated at these limits. The tables of "Electrical Characteristics" specify conditions for device operation.
- (2) If Military/Aerospace specified devices are required, please contact the Texas Instruments Sales Office/ Distributors for availability and specifications.

**Recommended Operating Conditions**

	Min	Max	Units
Supply Voltage ( $V_{CC}$ )	4.5	5.5	V
Operating Free Air Temperature ( $T_A$ )			
DS14C535	0	+70	°C

**Electrical Characteristics<sup>(1)(2)</sup>**

Over recommended operating conditions, SD = 0.8V, unless otherwise specified.

Symbol	Parameter	Conditions		Min	Typ	Max	Units
<b>DEVICE CHARACTERISTICS</b>							
$V^+$	Positive Power Supply	No Load	$D_{IN} = 0.8V$		+8.5		V
$V^-$	Negative Power Supply	C1–C4 = 0.1 $\mu F$	$D_{IN} = 2.0V$		-7.0		V
$I_{CC}$	Supply Current	No Load				12	mA
$I_{CX}$	SHUTDOWN Supply Current	$R_L = 3$ k $\Omega$ , SD = $V_{CC}$			1.0	10	$\mu A$
$V_{IH}$	High Level Enable Voltage		SD	2.0			V
$V_{IL}$	Low Level Enable Voltage			GND		0.8	V
$I_{IH}$	High Level Enable Current	$2.0V \leq V_{IN} \leq 5.5V$				+2.0	$\mu A$
$I_{IL}$	Low Level Enable Current	$GND \leq V_{IN} \leq 0.8V$		-2.0			$\mu A$
<b>DRIVER CHARACTERISTICS</b>							
$V_{IH}$	High Level Input Voltage		$D_{IN}$	2.0			V
$V_{IL}$	Low Level Input Voltage			GND		0.8	V
$I_{IH}$	High Level Input Current	$2.0V \leq V_{IN} \leq 5.5V$				+1.0	$\mu A$
$I_{IL}$	Low Level Input Current	$GND \leq V_{IN} \leq 0.8V$		-1.0			$\mu A$
$V_{OH}$	High Level Output Voltage	$R_L = 3$ k $\Omega$		+5.0	8		V
$V_{OL}$	Low Level Output Voltage				-6.7	-5.0	V
$I_{OS+}$	Output High Short Circuit Current	$V_O = 0V$ , $V_{IN} = 0.8V^{(3)}$		-40	-20	-8	mA

- (1) Typical values are given for  $V_{CC} = 5V$  and  $T_A = +25^\circ C$ .
- (2) Current into device pins is defined as positive. Current out of device pins is defined as negative. All voltages are referenced to ground unless otherwise specified. For voltage logic levels, the more positive value is designated as maximum. For example, if -5V is a maximum, the typical value (-6.7V) is more negative.
- (3) Only one driver output shorted at a time.

## Electrical Characteristics<sup>(1)(2)</sup> (continued)

Over recommended operating conditions, SD = 0.8V, unless otherwise specified.

Symbol	Parameter	Conditions	Min	Typ	Max	Units
I <sub>OS-</sub>	Output Low Short Circuit Current	V <sub>O</sub> = 0V, V <sub>IN</sub> = 2.0V <sup>(3)</sup>	6	15	40	mA
R <sub>O</sub>	Output Resistance	-2V ≤ V <sub>O</sub> ≤ +2V, V <sub>CC</sub> = GND = 0V	300	1200		Ω
<b>RECEIVER CHARACTERISTICS<sup>(4)</sup></b>						
V <sub>TH</sub>	Input High Threshold Voltage	R1–R5, SD = 0.8V (Active Mode)		1.4	2.4	V
		R5, 2.0V ≤ SD ≤ 5.5V (Shutdown Mode)		2.0	2.8	V
V <sub>TL</sub>	Input Low Threshold Voltage	R1–R5, SD = 0.8V (Active Mode)	0.8	1.1		V
		R5, 2.0V ≤ SD ≤ 5.5V (Shutdown Mode)	0.8	1.1		V
V <sub>HY</sub>	Hysteresis <sup>(4)</sup>		0.15		1.0	V
R <sub>IN</sub>	Input Resistance	V <sub>IN</sub> = ±3V to ±15V	3.0	5.4	7.0	kΩ
I <sub>IN</sub>	Input Current	V <sub>IN</sub> = +15V	2.14		5.0	mA
		V <sub>IN</sub> = +3V	0.43		1.0	mA
		V <sub>IN</sub> = -3V	-1.0		-0.43	mA
		V <sub>IN</sub> = -15V	-5.0		-2.14	mA
V <sub>OH</sub>	High Level Output Voltage	V <sub>IN</sub> = -3V, I <sub>OH</sub> = -2.0 mA	3.8			V
		V <sub>IN</sub> = -3V, I <sub>OH</sub> = -20 μA	4.0			V
V <sub>OL</sub>	Low Level Output Voltage	V <sub>IN</sub> = +3V, I <sub>OL</sub> = +2.0 mA		0.23	0.4	V

(4) Receiver characteristics are ensured for SD = 0.8V. When SD = 2.0V, receiver five (R5) is active and meets receiver parameters in SHUTDOWN (SD) mode, unless otherwise specified.

## Switching Characteristics<sup>(1)</sup>

Over recommended operating conditions, SD = 0.8V, unless otherwise specified.

Symbol	Parameter	Conditions	Min	Typ	Max	Units
<b>DRIVER CHARACTERISTICS</b>						
t <sub>PLH</sub>	Propagation Delay LOW to HIGH	R <sub>L</sub> = 3 kΩ C <sub>L</sub> = 50 pF (See Figure 3 and Figure 4)	0.1	0.6	1.0	μs
t <sub>PHL</sub>	Propagation Delay HIGH to LOW		0.1	0.6	1.0	μs
t <sub>SK</sub>	Skew  t <sub>PLH</sub> - t <sub>PHL</sub>			0	0.2	μs
SR1	Output Slew Rate	R <sub>L</sub> = 3 kΩ to 7 kΩ, C <sub>L</sub> = 50 pF (See Figure 4)	4	13	30	V/μs
SR2	Output Slew Rate	R <sub>L</sub> = 3 kΩ, C <sub>L</sub> = 2500 pF (See Figure 4)	4	10	30	V/μs
t <sub>PLS</sub>	Propagation Delay LOW to SD	(See Figure 7 and Figure 8)		0.48		ms
t <sub>PSL</sub>	Propagation Delay SD to LOW			1.88		ms
t <sub>PHS</sub>	Propagation Delay HIGH to SD	R <sub>L</sub> = 3 kΩ C <sub>L</sub> = 50 pF		0.62		ms
t <sub>PSH</sub>	Propagation Delay SD to HIGH			1.03		ms
<b>RECEIVER CHARACTERISTICS</b>						
t <sub>PLH</sub>	Propagation Delay LOW to HIGH	C <sub>L</sub> = 50 pF (See Figure 5 and Figure 6)	0.1	0.4	1.0	μs
t <sub>PHL</sub>	Propagation Delay HIGH to LOW		0.1	0.6	1.0	μs
t <sub>SK</sub>	Skew  t <sub>PLH</sub> - t <sub>PHL</sub>			0.1	0.5	μs
t <sub>PLS</sub>	Propagation Delay LOW to SD	R <sub>L</sub> = 1 kΩ C <sub>L</sub> = 50 pF R1–R4 Only (See Figure 9 and Figure 10)		0.13		μs
t <sub>PSL</sub>	Propagation Delay SD to LOW			1.0		μs
t <sub>PHS</sub>	Propagation Delay HIGH to SD			0.19		μs
t <sub>PSH</sub>	Propagation Delay SD to HIGH			0.58		μs

(1) Receiver characteristics are ensured for SD = 0.8V. When SD = 2.0V, receiver five (R5) is active and meets receiver parameters in SHUTDOWN (SD) mode, unless otherwise specified.

Parameter Measurement Information

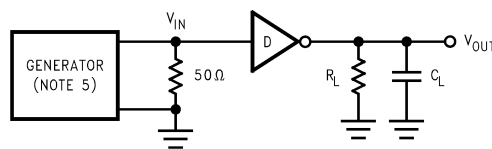


Figure 3. Driver Propagation Delay and Slew Rate Test Circuit

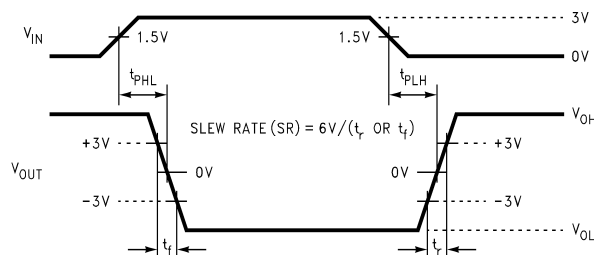


Figure 4. Driver Propagation Delay and Slew Rate Timing

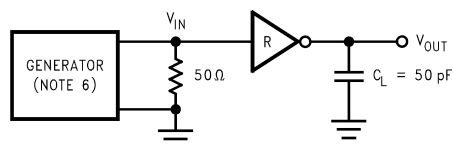


Figure 5. Receiver Propagation Delay Test Circuit

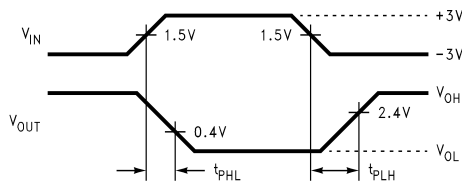


Figure 6. Receiver Propagation Delay Timing

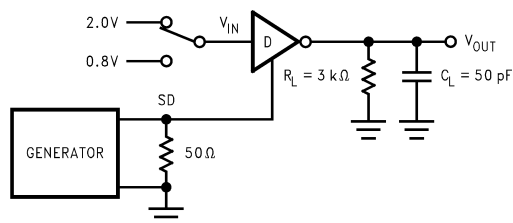


Figure 7. Driver SHUTDOWN (SD) Delay Test Circuit

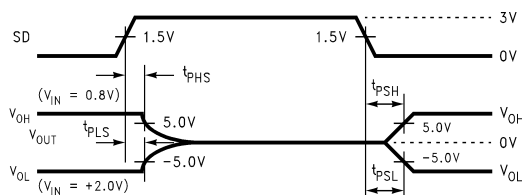
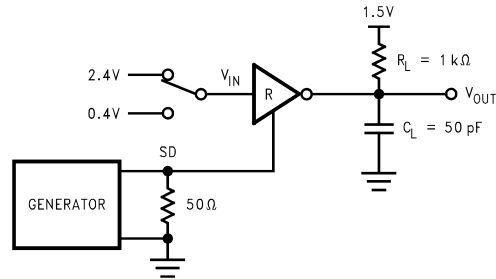
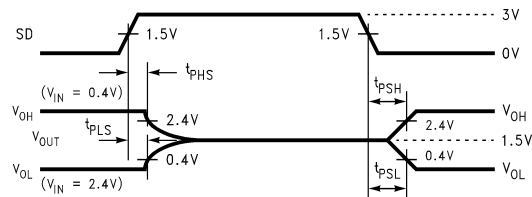


Figure 8. Driver SHUTDOWN (SD) Delay Timing



**Figure 9. Receiver SHUTDOWN (SD) Delay Test Circuit**



**Figure 10. Receiver SHUTDOWN (SD) Delay Timing**

## PIN DESCRIPTIONS

**V<sub>CC</sub> (Pin 3).** Power supply pin for the device, +5V (±0.5V).

**V<sub>+</sub> (Pin 1).** Positive supply for EIA/TIA-232-E drivers. Recommended external capacitor—0.1 μF (16V). This supply is not intended to be loaded externally.

**V<sub>-</sub> (Pin 25).** Negative supply for EIA/TIA-232-E drivers. Recommended external capacitor—0.1 μF (16V). This supply is not intended to be loaded externally.

**C1+, C1- (Pins 2, 4).** External capacitor connection pins.

**C2+, C2- (Pins 28, 26).** External capacitor connection pins.

**SHUTDOWN (SD) (Pin 23).** A High on the SHUTDOWN pin will lower the total I<sub>CC</sub> current to less than 10 μA, providing a low power state. In this mode receiver R5 remains active. The SD pin should be driven or tied low (GND) to disable the shutdown mode.

**D<sub>IN</sub> 1–3 (Pins 7, 8, 9).** Driver input pins.

**D<sub>OUT</sub> 1–3 (Pins 22, 21, 20).** Driver output pins conform to EIA/TIA-232-E levels.

**R<sub>IN</sub> 1–5 (Pins 19, 18, 17, 16, 15).** Receiver input pins accept EIA/TIA-232-E input voltages (±25V). Receivers ensures hysteresis of TBD mV. Unused receiver input pins may be left open. Internal input resistor (5 kΩ) pulls input LOW, providing a failsafe HIGH output.

**R<sub>OUT</sub> 1–5 (Pins 10, 11, 12, 13, 14).** Receiver output pins.

**GND (Pins 5, 27).** Ground Pins. Both pins must be connected to external ground. These pins are not connected together on the chip.

### APPLICATION INFORMATION

In a typical Data Terminal Equipment (DTE) to Data Circuit-Terminating Equipment (DCE) 9-pin de-facto interface implementation, 2 data lines and 6 control lines are required. The data lines are TXD and RXD and the control lines are RTS, DTR, DSR, DCD, CTS and RI. The DS14C535 is a 3 x 5 Driver/Receiver and offers a single chip solution for the DTE interface as shown in Figure 11.

Ring Indicator (RI) is used to inform the DTE that an incoming call is coming from a remote DCE. When the DS14C535 is in SHUTDOWN (SD) mode, receiver five (R5) remains active and monitors RI circuit. This active receiver (R5) alerts the DTE to switch the DS14C535 from SHUTDOWN to active mode.

To achieve minimum power consumption, the DS14C535 can be in SHUTDOWN mode and only activated when communications are needed.

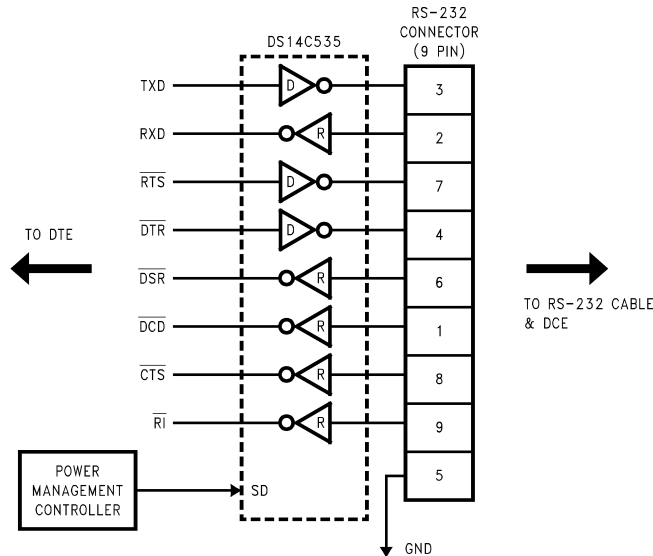


Figure 11. Typical DTE Application

### Capacitors

Capacitors can be ceramic or tantalum. Standard surface mount in the range of 0.1  $\mu\text{F}$  to 0.68  $\mu\text{F}$  are readily available from several manufacturers. A minimum 20V rating is recommended. Contact manufacturers for specific detail on surface mounting and dielectrics. A partial list of manufacturers include:

Manufacturer	Phone Number
KEMET	803-963-6300
AVX	803-448-9411
MURATA-ERIE	800-831-9172

### REVISION HISTORY

Changes from Revision B (April 2013) to Revision C	Page
• Changed layout of National Data Sheet to TI format .....	<a href="#">7</a>



**PACKAGING INFORMATION**

Orderable Device	Status (1)	Package Type	Package Drawing	Pins	Package Qty	Eco Plan (2)	Lead/Ball Finish (6)	MSL Peak Temp (3)	Op Temp (°C)	Device Marking (4/5)	Samples
DS14C535MSA/NOPB	LIFEBUY	SSOP	DB	28	47	Green (RoHS & no Sb/Br)	CU SN	Level-3-260C-168 HR	0 to 70	DS14C535 MSA	
DS14C535MSAX/NOPB	LIFEBUY	SSOP	DB	28	2000	Green (RoHS & no Sb/Br)	CU SN	Level-3-260C-168 HR	0 to 70	DS14C535 MSA	

(1) The marketing status values are defined as follows:

**ACTIVE:** Product device recommended for new designs.

**LIFEBUY:** TI has announced that the device will be discontinued, and a lifetime-buy period is in effect.

**NRND:** Not recommended for new designs. Device is in production to support existing customers, but TI does not recommend using this part in a new design.

**PREVIEW:** Device has been announced but is not in production. Samples may or may not be available.

**OBsolete:** TI has discontinued the production of the device.

(2) Eco Plan - The planned eco-friendly classification: Pb-Free (RoHS), Pb-Free (RoHS Exempt), or Green (RoHS & no Sb/Br) - please check <http://www.ti.com/productcontent> for the latest availability information and additional product content details.

**TBD:** The Pb-Free/Green conversion plan has not been defined.

**Pb-Free (RoHS):** TI's terms "Lead-Free" or "Pb-Free" mean semiconductor products that are compatible with the current RoHS requirements for all 6 substances, including the requirement that lead not exceed 0.1% by weight in homogeneous materials. Where designed to be soldered at high temperatures, TI Pb-Free products are suitable for use in specified lead-free processes.

**Pb-Free (RoHS Exempt):** This component has a RoHS exemption for either 1) lead-based flip-chip solder bumps used between the die and package, or 2) lead-based die adhesive used between the die and leadframe. The component is otherwise considered Pb-Free (RoHS compatible) as defined above.

**Green (RoHS & no Sb/Br):** TI defines "Green" to mean Pb-Free (RoHS compatible), and free of Bromine (Br) and Antimony (Sb) based flame retardants (Br or Sb do not exceed 0.1% by weight in homogeneous material)

(3) MSL, Peak Temp. - The Moisture Sensitivity Level rating according to the JEDEC industry standard classifications, and peak solder temperature.

(4) There may be additional marking, which relates to the logo, the lot trace code information, or the environmental category on the device.

(5) Multiple Device Markings will be inside parentheses. Only one Device Marking contained in parentheses and separated by a "~" will appear on a device. If a line is indented then it is a continuation of the previous line and the two combined represent the entire Device Marking for that device.

(6) Lead/Ball Finish - Orderable Devices may have multiple material finish options. Finish options are separated by a vertical ruled line. Lead/Ball Finish values may wrap to two lines if the finish value exceeds the maximum column width.

**Important Information and Disclaimer:** The information provided on this page represents TI's knowledge and belief as of the date that it is provided. TI bases its knowledge and belief on information provided by third parties, and makes no representation or warranty as to the accuracy of such information. Efforts are underway to better integrate information from third parties. TI has taken and continues to take reasonable steps to provide representative and accurate information but may not have conducted destructive testing or chemical analysis on incoming materials and chemicals. TI and TI suppliers consider certain information to be proprietary, and thus CAS numbers and other limited information may not be available for release.

In no event shall TI's liability arising out of such information exceed the total purchase price of the TI part(s) at issue in this document sold by TI to Customer on an annual basis.

## TAPE AND REEL INFORMATION



### QUADRANT ASSIGNMENTS FOR PIN 1 ORIENTATION IN TAPE



\*All dimensions are nominal

Device	Package Type	Package Drawing	Pins	SPQ	Reel Diameter (mm)	Reel Width W1 (mm)	A0 (mm)	B0 (mm)	K0 (mm)	P1 (mm)	W (mm)	Pin1 Quadrant
DS14C535MSAX/NOPB	SSOP	DB	28	2000	330.0	16.4	8.4	10.7	2.4	12.0	16.0	Q1

**TAPE AND REEL BOX DIMENSIONS**



\*All dimensions are nominal

Device	Package Type	Package Drawing	Pins	SPQ	Length (mm)	Width (mm)	Height (mm)
DS14C535MSAX/NOPB	SSOP	DB	28	2000	367.0	367.0	38.0

DB (R-PDSO-G\*\*)

PLASTIC SMALL-OUTLINE

28 PINS SHOWN



- NOTES: A. All linear dimensions are in millimeters.  
 B. This drawing is subject to change without notice.  
 C. Body dimensions do not include mold flash or protrusion not to exceed 0,15.  
 D. Falls within JEDEC MO-150

## IMPORTANT NOTICE

Texas Instruments Incorporated and its subsidiaries (TI) reserve the right to make corrections, enhancements, improvements and other changes to its semiconductor products and services per JESD46, latest issue, and to discontinue any product or service per JESD48, latest issue. Buyers should obtain the latest relevant information before placing orders and should verify that such information is current and complete. All semiconductor products (also referred to herein as "components") are sold subject to TI's terms and conditions of sale supplied at the time of order acknowledgment.

TI warrants performance of its components to the specifications applicable at the time of sale, in accordance with the warranty in TI's terms and conditions of sale of semiconductor products. Testing and other quality control techniques are used to the extent TI deems necessary to support this warranty. Except where mandated by applicable law, testing of all parameters of each component is not necessarily performed.

TI assumes no liability for applications assistance or the design of Buyers' products. Buyers are responsible for their products and applications using TI components. To minimize the risks associated with Buyers' products and applications, Buyers should provide adequate design and operating safeguards.

TI does not warrant or represent that any license, either express or implied, is granted under any patent right, copyright, mask work right, or other intellectual property right relating to any combination, machine, or process in which TI components or services are used. Information published by TI regarding third-party products or services does not constitute a license to use such products or services or a warranty or endorsement thereof. Use of such information may require a license from a third party under the patents or other intellectual property of the third party, or a license from TI under the patents or other intellectual property of TI.

Reproduction of significant portions of TI information in TI data books or data sheets is permissible only if reproduction is without alteration and is accompanied by all associated warranties, conditions, limitations, and notices. TI is not responsible or liable for such altered documentation. Information of third parties may be subject to additional restrictions.

Resale of TI components or services with statements different from or beyond the parameters stated by TI for that component or service voids all express and any implied warranties for the associated TI component or service and is an unfair and deceptive business practice. TI is not responsible or liable for any such statements.

Buyer acknowledges and agrees that it is solely responsible for compliance with all legal, regulatory and safety-related requirements concerning its products, and any use of TI components in its applications, notwithstanding any applications-related information or support that may be provided by TI. Buyer represents and agrees that it has all the necessary expertise to create and implement safeguards which anticipate dangerous consequences of failures, monitor failures and their consequences, lessen the likelihood of failures that might cause harm and take appropriate remedial actions. Buyer will fully indemnify TI and its representatives against any damages arising out of the use of any TI components in safety-critical applications.

In some cases, TI components may be promoted specifically to facilitate safety-related applications. With such components, TI's goal is to help enable customers to design and create their own end-product solutions that meet applicable functional safety standards and requirements. Nonetheless, such components are subject to these terms.

No TI components are authorized for use in FDA Class III (or similar life-critical medical equipment) unless authorized officers of the parties have executed a special agreement specifically governing such use.

Only those TI components which TI has specifically designated as military grade or "enhanced plastic" are designed and intended for use in military/aerospace applications or environments. Buyer acknowledges and agrees that any military or aerospace use of TI components which have **not** been so designated is solely at the Buyer's risk, and that Buyer is solely responsible for compliance with all legal and regulatory requirements in connection with such use.

TI has specifically designated certain components as meeting ISO/TS16949 requirements, mainly for automotive use. In any case of use of non-designated products, TI will not be responsible for any failure to meet ISO/TS16949.

### Products

Audio	<a href="http://www.ti.com/audio">www.ti.com/audio</a>
Amplifiers	<a href="http://amplifier.ti.com">amplifier.ti.com</a>
Data Converters	<a href="http://dataconverter.ti.com">dataconverter.ti.com</a>
DLP® Products	<a href="http://www.dlp.com">www.dlp.com</a>
DSP	<a href="http://dsp.ti.com">dsp.ti.com</a>
Clocks and Timers	<a href="http://www.ti.com/clocks">www.ti.com/clocks</a>
Interface	<a href="http://interface.ti.com">interface.ti.com</a>
Logic	<a href="http://logic.ti.com">logic.ti.com</a>
Power Mgmt	<a href="http://power.ti.com">power.ti.com</a>
Microcontrollers	<a href="http://microcontroller.ti.com">microcontroller.ti.com</a>
RFID	<a href="http://www.ti-rfid.com">www.ti-rfid.com</a>
OMAP Applications Processors	<a href="http://www.ti.com/omap">www.ti.com/omap</a>
Wireless Connectivity	<a href="http://www.ti.com/wirelessconnectivity">www.ti.com/wirelessconnectivity</a>

### Applications

Automotive and Transportation	<a href="http://www.ti.com/automotive">www.ti.com/automotive</a>
Communications and Telecom	<a href="http://www.ti.com/communications">www.ti.com/communications</a>
Computers and Peripherals	<a href="http://www.ti.com/computers">www.ti.com/computers</a>
Consumer Electronics	<a href="http://www.ti.com/consumer-apps">www.ti.com/consumer-apps</a>
Energy and Lighting	<a href="http://www.ti.com/energy">www.ti.com/energy</a>
Industrial	<a href="http://www.ti.com/industrial">www.ti.com/industrial</a>
Medical	<a href="http://www.ti.com/medical">www.ti.com/medical</a>
Security	<a href="http://www.ti.com/security">www.ti.com/security</a>
Space, Avionics and Defense	<a href="http://www.ti.com/space-avionics-defense">www.ti.com/space-avionics-defense</a>
Video and Imaging	<a href="http://www.ti.com/video">www.ti.com/video</a>

### TI E2E Community

[e2e.ti.com](http://e2e.ti.com)