

SMT Power Inductors - DS1608 Series

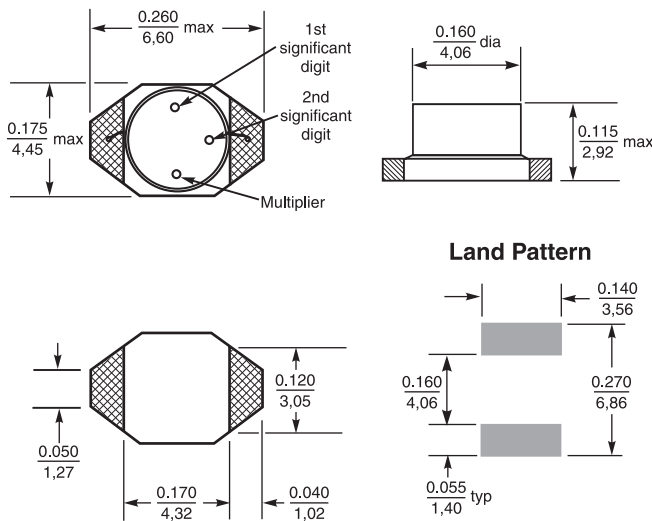


These shielded, ultraminiature inductors can help achieve significantly longer battery life in handheld communication devices and other portable products.

They offer the highest efficiency, smallest size and lowest cost of any comparable part. DCR is 10 to 60% lower than other inductors, with greatest improvements seen at values from 100 to 10,000 μH . Their flat top and heat resistant materials ensure trouble-free assembly and reflow operations.

Coilcraft **Designer's Kit C115** contains samples of each of the standard parts shown. To order, contact Coilcraft or visit <http://order.coilcraft.com>.

PSpice models SEE CATALOG, WEB SITE OR CD



Parts/reel: 7" 750; 13" 2500 Tape width: 12 mm
For packaging data see Tape and Reel Specifications section.

Part number	L $\pm 20\%$ ¹ (μH)	Q min	DCR max (Ohms)	SRF typ (MHz)	Current max ² (A)
DS1608C-102	1.0	30@200 kHz	0.040	250	3.0
DS1608C-152	1.5	30@200 kHz	0.045	125	2.8
DS1608C-222	2.2	40@200 kHz	0.050	120	1.8
DS1608C-332	3.3	40@200 kHz	0.055	120	1.6
DS1608C-472	4.7	40@200 kHz	0.060	105	1.4
DS1608C-682	6.8	40@200 kHz	0.065	50	1.2
DS1608C-103	10	40@200 kHz	0.075	38	1.0
DS1608C-153	15	40@100 kHz	0.090	33	0.80
DS1608C-223	22	40@100 kHz	0.11	25	0.70
DS1608C-333	33	40@100 kHz	0.19	20	0.60
DS1608C-473	47	40@100 kHz	0.23	20	0.50
DS1608C-683	68	40@100 kHz	0.29	15	0.40
DS1608C-104	100	40@100 kHz	0.48	10	0.30
DS1608C-154	150	40@100 kHz	0.59	9	0.26
DS1608C-224	220	40@100 kHz	0.77	6	0.22
DS1608C-334	330	40@100 kHz	1.4	5	0.20
DS1608C-474	470	40@100 kHz	1.8	4	0.19
DS1608C-684	680	40@100 kHz	2.2	3	0.18
DS1608C-105	1000	40@100 kHz	3.4	2	0.15
DS1608C-155	1500	50@100 kHz	4.2	2	0.12
DS1608C-225	2200	50@100 kHz	8.5	2	0.10
DS1608C-335	3300	50@100 kHz	11.0	1	0.08
DS1608C-475	4700	50@100 kHz	13.9	1	0.06
DS1608C-685	6800	50@100 kHz	25.0	1	0.04
DS1608C-106	10000	50@100 kHz	32.8	0.8	0.02

For environmental data see Product Specifications section.

1. Inductance tested at 0.1 Vrms, 100 kHz.
2. 30°C temperature rise.
3. Operating temperature -40°C to $+85^{\circ}\text{C}$.
4. Electrical specifications at 25°C.

www.DataSheet4U.com

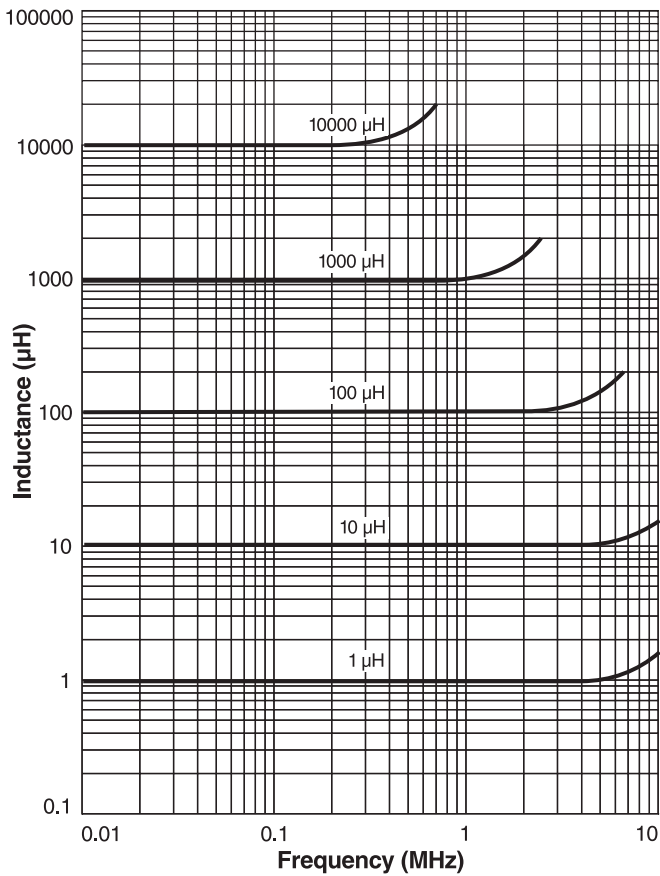
Coilcraft

Specifications subject to change without notice. Document 186-1 Revised 4/22/02

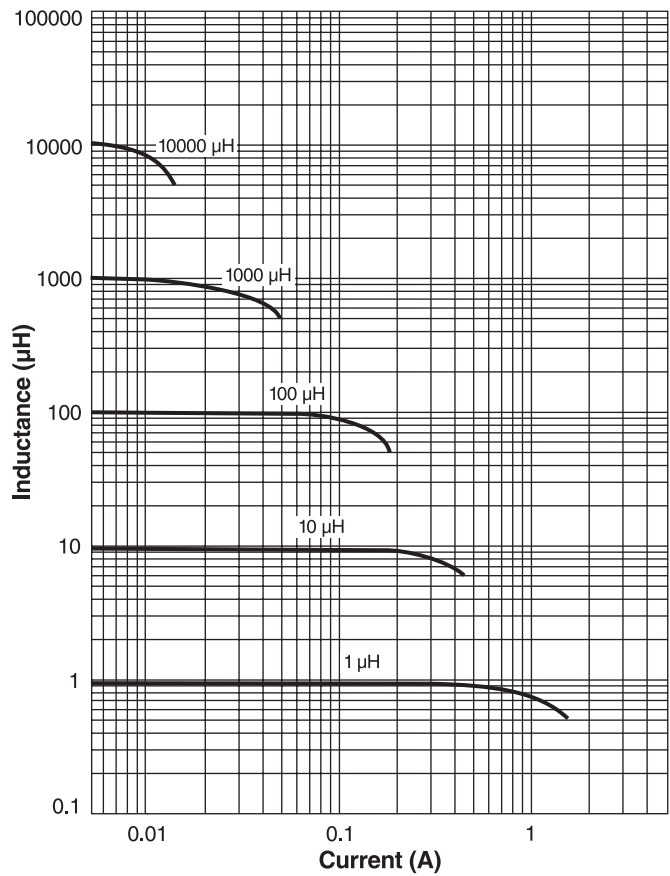
1102 Silver Lake Road Cary, Illinois 60013 Phone 847/639-6400 Fax 847/639-1469
E-mail info@coilcraft.com Web <http://www.coilcraft.com>

SMT Power Inductors - DS1608 Series

Typical L vs Frequency



Typical L vs Current



www.DataSheet4U.com

Coilcraft

Specifications subject to change without notice. Document 186-2 Revised 4/26/01

1102 Silver Lake Road Cary, Illinois 60013 Phone 847/639-6400 Fax 847/639-1469
 E-mail info@coilcraft.com Web <http://www.coilcraft.com>