

# XFP Laser Control and Digital Diagnostic IC

DS1862

## General Description

The DS1862 is a closed-loop laser-driver control IC with built-in digital diagnostics designed for XFP MSA. The laser control function incorporates average power control (APC) and allows extinction ratio control through a temperature indexed look-up table (LUT). The DS1862 monitors up to seven analog inputs, including temperature and monitor diode (MD) current, which are used to regulate the laser bias current and extinction ratio. Warning and alarm thresholds can be programmed to generate an interrupt if monitored signals exceed tolerance. Calibration is also provided internally using independent gain and offset scaling registers for each of the monitored analog signals. Settings such as programmed calibration data are stored in password-protected EEPROM memory. Programming is accomplished through an I<sup>2</sup>C\*-compatible interface, which can also be used to access diagnostic functionality.

## Applications

Laser Control and Monitoring 10Gbps Optical Transceiver Modules (XFP)

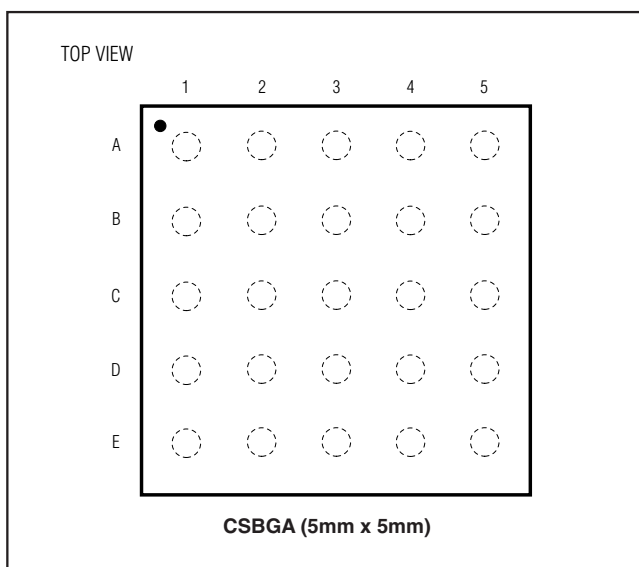
Laser Control and Monitoring

Digital Diagnostics in Optical Transmission

## Features

- ◆ Implements XFP MSA Requirements for Digital Diagnostics, Serial ID, and User Memory
- ◆ I<sup>2</sup>C-Compatible Serial Interface
- ◆ Automatic Power Control (APC)
- ◆ Extinction Ratio Control with Look-Up Table
- ◆ Seven Monitored Channels for Digital Diagnostics (Five Basic Plus Two Auxiliary)
- ◆ Internal Calibration of Monitored Channels (Temp, VCC2/3, Bias Current, Transmitted, and Received Power)
- ◆ Programmable Quick-Trip Logic for Turning Off Laser for Eye Safety
- ◆ Access to Monitoring and ID Information
- ◆ Programmable Alarm and Warning Thresholds
- ◆ Operates from 3.3V or 5V Supply
- ◆ 25-Pin CSBGA, 5mm x 5mm Package
- ◆ Internal or External Temperature Sensor
- ◆ -40°C to +100°C Operating Temperature Range
- ◆ One 8-Bit Buffered DAC

## Pin Configuration



## Ordering Information

PART	TEMP RANGE	PIN-PACKAGE
DS1862B	-40°C to +100°C	25 CSBGA (5mm x 5mm)
DS1862B+	-40°C to +100°C	25 CSBGA (5mm x 5mm)

+Denotes lead-free package.

Typical Operating Circuit appears at end of data sheet.

\*Purchase of I<sup>2</sup>C components from Maxim Integrated Products, Inc., or one of its sublicensed Associated Companies, conveys a license under the Philips I<sup>2</sup>C Patent Rights to use these components in an I<sup>2</sup>C system, provided that the system conforms to the I<sup>2</sup>C Standard Specification as defined by Philips.

# XFP Laser Control and Digital Diagnostic IC

## ABSOLUTE MAXIMUM RATINGS

Voltage on Any Open-Drain Pin  
 Relative to Ground.....-0.5V to +6.0V  
 Voltage on MOD-DSEL, SDA, SCL, FETG, THRSET, TX-D,  
 AUX1MON, AUX2MON, IBIASMON,  
 RSSI, BIASSET, MODSET, EN1,  
 and EN2 .....-0.5V to (VCC3 + 0.5V), not to exceed +6.0V

Voltage on SC-RX-LOS, SC-RX-LOL, RX-LOS, SC-TX-LOS,  
 MOD-NR, EN1,  
 and EN2 .....-0.5V to (VCC2 + 0.5V), not to exceed +6.0V  
 Operating Temperature Range .....-40°C to +100°C  
 EEPROM Programming Temperature Range .....0°C to +70°C  
 Storage Temperature Range .....-55°C to +125°C  
 Soldering Temperature.....See J-STD-020 Specification

*Stresses beyond those listed under "Absolute Maximum Ratings" may cause permanent damage to the device. These are stress ratings only, and functional operation of the device at these or any other conditions beyond those indicated in the operational sections of the specifications is not implied. Exposure to absolute maximum rating conditions for extended periods may affect device reliability.*

## RECOMMENDED OPERATING CONDITIONS

(VCC3 = +2.9V to +5.5V, TA = -40°C to +100°C, unless otherwise noted.)

PARAMETER	SYMBOL	CONDITIONS	MIN	TYP	MAX	UNITS
Main Supply Voltage	VCC3	(Note 1)	+2.9		+5.5	V
Secondary Supply Voltage	VCC2	VCC2 not to exceed VCC3 (Note 2)	+1.6		+3.6	V
High-Level Input Voltage (SDA, SCL)	VIH	I <sub>IH</sub> (max) = 10μA	0.7 x VCC3		VCC3 + 0.5	V
Low-Level Input Voltage (SDA, SCL)	VIL	I <sub>IL</sub> (max) = -10μA	GND - 0.3		0.3 x VCC3	V
High-Level Input Voltage (TX-D, MOD-DESEL, P-DOWN/RST) (Note 3)	VIH	I <sub>IH</sub> (max) = 10μA	2		VCC3 + 0.3	V
Low-Level Input Voltage (TX-D, MOD-DESEL, P-DOWN/RST) (Note 3)	VIL	I <sub>IL</sub> (max) = -10μA	-0.3		+0.8	V

# XFP Laser Control and Digital Diagnostic IC

DS1862

## DC ELECTRICAL CHARACTERISTICS

(V<sub>CC3</sub> = +2.9V to +5.5V, V<sub>CC2</sub> = +1.6V to +3.6V, T<sub>A</sub> = -40°C to +100°C, unless otherwise noted.)

PARAMETER	SYMBOL	CONDITIONS	MIN	TYP	MAX	UNITS
Supply Current	I <sub>CC3</sub>	P-DOWN/RST = 1		3	5	mA
High-Level Output Voltage (FETG)	V <sub>OH</sub>	I <sub>OH</sub> (max) = -2mA	V <sub>CC3</sub> - 0.5			V
Low-Level Output Voltage (MOD-NR, INTERRUPT, SDA, and FETG)	V <sub>OL</sub>	I <sub>OL</sub> (max) = 3mA	0		0.4	V
Resistor (Pullup)	R <sub>PU</sub>		9	12	15	kΩ
I/O Capacitance	C <sub>I/O</sub>	(Note 4)			10	pF
Leakage Current	I <sub>L</sub>		-10		+10	μA
Leakage Current (SCL, SDA)	I <sub>L</sub>		-10		+10	μA
Digital Power-On Reset	POD		1.0		2.2	V
Analog Power-On Reset	POA		2.0		2.6	V

## DC ELECTRICAL CHARACTERISTICS—INTERFACE SIGNALS TO SIGNAL CONDITIONERS

(V<sub>CC2</sub> = +1.6V to +3.6V, V<sub>CC3</sub> = +2.9V to +5.5V, T<sub>A</sub> = -40°C to +100°C, unless otherwise noted.)

PARAMETER	SYMBOL	CONDITIONS	MIN	TYP	MAX	UNITS
High-Level Input Voltage (SC-RX-LOS, SC-RX-LOL, and SC-TX-LOS)	V <sub>IH</sub>	I <sub>IH</sub> (max) = 100μA	0.7 x V <sub>CC2</sub>		V <sub>CC2</sub> + 0.1	V
Low-Level Input Voltage (SC-RX-LOS, SC-RX-LOL, and SC-TX-LOS)	V <sub>IL</sub>	I <sub>IL</sub> (max) = -100μA	0		0.3 x V <sub>CC2</sub>	V
High-Level Output Voltage (EN1 and EN2)	V <sub>OH</sub>	I <sub>OH</sub> (max) = -0.7mA	V <sub>CC2</sub> - 0.2			V
	V <sub>OH2</sub>	V <sub>CC2</sub> = 2.5V to 3.6V I <sub>OH</sub> (max) = -2mA	V <sub>CC2</sub> - 0.4			
	V <sub>OH3</sub>	V <sub>CC2</sub> = 1.6V I <sub>OH</sub> (max) = -0.7mA	V <sub>CC2</sub> - 0.2			
Low-Level Output Voltage (EN1, EN2, and RX-LOS)	V <sub>OL</sub>	I <sub>OL</sub> (max) = 0.7mA			0.20	V
	V <sub>OL2</sub>	V <sub>CC2</sub> = 2.5V to 3.6V I <sub>OL</sub> (max) = 2mA			0.40	
Leakage Current (SC-RX-LOS, SC-RX-LOL and SC-TX-LOS, RX-LOS)	I <sub>L</sub>		-10		+10	μA

# XFP Laser Control and Digital Diagnostic IC

## I<sup>2</sup>C AC ELECTRICAL CHARACTERISTICS

(V<sub>CC3</sub> = +2.9V to +5.5V, T<sub>A</sub> = -40°C to +100°C, unless otherwise noted.)

PARAMETER	SYMBOL	CONDITIONS	MIN	TYP	MAX	UNITS
SCL Clock Frequency	f <sub>SCL</sub>		0		400	kHz
Clock Pulse-Width Low	t <sub>LOW</sub>		1.3			μs
Clock Pulse-Width High	t <sub>HIGH</sub>		0.6			μs
Bus Free Time between STOP and START Conditions	t <sub>BUF</sub>		1.3			μs
Start Hold Time	t <sub>HD:SDA</sub>		0.6			μs
Start Setup Time	t <sub>SU:SDA</sub>		0.6			μs
Data in Hold Time	t <sub>HD:DAT</sub>		0		0.9	μs
Data in Setup Time	t <sub>SU:DAT</sub>		100			ns
Rise Time of Both SDA and SCL Signals	t <sub>R</sub>	(Note 5)	20 + 0.1C <sub>B</sub>		300	ns
Fall Time of Both SDA and SCL signals	t <sub>F</sub>	(Note 5)	20 + 0.1C <sub>B</sub>		300	ns
STOP Setup Time	t <sub>SU:STO</sub>		0.6			μs
MOD-SEL Setup Time	t <sub>Host_select_setup</sub>		2			ms
MOD-SEL Hold Time	t <sub>Host_select_hold</sub>		10			μs
Aborted Sequence Bus Release	t <sub>MOD-DESEL_Abort</sub>				2	ms
Capacitive Load for Each Bus Line	C <sub>B</sub>	(Note 5)			400	pF
EEPROM Write Time	t <sub>w</sub>	≤ 4-Byte write (Note 6)			16	ms

## ANALOG OUTPUT CHARACTERISTICS

(V<sub>CC3</sub> = +2.9V to +5.5V, V<sub>CC2</sub> = +1.6V to +3.6V, T<sub>A</sub> = -40°C to +100°C, unless otherwise noted.)

PARAMETER	SYMBOL	CONDITIONS	MIN	TYP	MAX	UNITS
I <sub>BIASSET</sub>	I <sub>BIASSET</sub>		0.01		1.50	mA
I <sub>BIASSET</sub> (Off-State Current)	I <sub>BIASSET</sub>	Shutdown		±10	±100	nA
I <sub>MODSET</sub>	I <sub>MODSET</sub>		0.01		1.20	mA
I <sub>MODSET</sub> (Off-State Current)	I <sub>MODSET</sub>	Shutdown		±10	±100	nA
Voltage on I <sub>BIASSET</sub> and I <sub>MODSET</sub>	V <sub>MAX</sub>	(Note 7)	0.7		3.0	V
V <sub>THRSET</sub>	V <sub>THRSET</sub>	I <sub>MAX</sub> = 100μA	50		1000	mV
V <sub>THRSET</sub> Drift		Across temperature (Note 8)	-5		+5	%
V <sub>THRSET</sub> Capacitance load	C <sub>THRSET</sub>				1	nF
APC Calibration Accuracy		+25°C			25	μA
APC Temp Drift		0.200mA to 1.5mA	-5		+5	%
		50μA to 200μA			12	μA
I <sub>BMD DNL</sub>		Sink, SRC_SNK_B = 0	-0.9		+0.9	LSB
		Source, SRC_SNK_B = 1	-0.9		+0.9	
I <sub>BMD INL</sub>		Sink, SRC_SNK_B = 0	-4.0		+4.0	LSB
		Source, SRC_SNK_B = 1	-4.0		+4.0	
I <sub>BMD</sub> Voltage Drift					1.2	%/V
I <sub>BMD</sub> FS Accuracy					1.5	%

# XFP Laser Control and Digital Diagnostic IC

DS1862

## ANALOG OUTPUT CHARACTERISTICS (continued)

(VCC3 = +2.9V to +5.5V, VCC2 = +1.6V to +3.6V, TA = -40°C to +100°C, unless otherwise noted.)

PARAMETER	SYMBOL	CONDITIONS	MIN	TYP	MAX	UNITS
I <sub>MODSET</sub> Accuracy		+25°C I <sub>MODSET</sub> = 0.04mA to 1.2mA	-1.5		+1.5	%
I <sub>MODSET</sub> DNL		75µA range	-0.9		+0.9	LSB
		150µA range	-0.9		+0.9	
		300µA range	-0.9		+0.9	
		600µA range	-0.9		+0.9	
		1200µA range	-0.9		+0.9	
I <sub>MODSET</sub> INL		75µA range	-1.5		+1.5	LSB
		150µA range	-1.5		+1.5	
		300µA range	-1.0		+1.0	
		600µA range	-1.0		+1.0	
		1200µA range	-1.0		+1.0	
I <sub>MODSET</sub> Temp Drift					5	%
I <sub>MODSET</sub> Voltage Drift					1.2	%/V
I <sub>MODSET</sub> FS Accuracy					1.5	%
APC Bandwidth		I <sub>MD</sub> / I <sub>APC</sub> = 1 (Note 4)	6	10	30	kHz

## AC ELECTRICAL CHARACTERISTICS—XFP CONTROLLER

(VCC3 = +2.9V to +5.5V, VCC2 = +1.6V to +3.6V, TA = -40°C to +100°C, unless otherwise noted.)

PARAMETER	SYMBOL	CONDITIONS	MIN	TYP	MAX	UNITS
Time to Initialize	t <sub>INIT</sub>	VCC3 within ±5% of nominal	30		200	ms
TX-D Assert Time	t <sub>OFF</sub>	I <sub>BIAS</sub> and I <sub>MOD</sub> below 10% of nominal			5	µs
TX-D Deassert Time	t <sub>ON</sub>	I <sub>BIAS</sub> and I <sub>MOD</sub> above 90% of nominal			1	ms
P-DOWN/RST Assert Time	t <sub>PDR-ON</sub>	I <sub>BIAS</sub> and I <sub>MOD</sub> below 10% of nominal			100	µs
P-DOWN/RST Deassert Time	t <sub>PDR-OFF</sub>	I <sub>BIAS</sub> and I <sub>MOD</sub> above 90% of nominal			200	ms
MOD-DESEL Deassert Time	t <sub>MOD-DESEL</sub>	Time until proper response to I <sup>2</sup> C communication			2	ms
INTERRUPT Assert Delay	t <sub>INT-ON</sub>	Time from fault to interrupt assertion			100	ms
INTERRUPT Deassert Delay	t <sub>INT-OFF</sub>	Time from read (clear flags) to interrupt deassertion			500	µs
MOD-NR Assert Delay	t <sub>MOD-NR-ON</sub>	Time from fault to MOD-NR assertion			0.5	ms
MOD-NR Deassert Delay	t <sub>MOD-NR-OFF</sub>	Time from read (clear flags) to MOD-NR deassertion			0.5	ms
RX-LOS Assert Time	t <sub>LOS-ON</sub>	Time from SC-RX-LOS assertion to RX-LOS assertion			100	ns
RX-LOS Deassert Time	t <sub>LOS-OFF</sub>	Time from SC-RX-LOS deassertion to RX-LOS deassertion			100	ns
P-DOWN/RST Reset Time	t <sub>RESET</sub>	Time from P-DOWN/RST assertion to initial reset	10			µs
Shutdown Time	t <sub>FAULT</sub>	Time from fault to I <sub>BIASSET</sub> , I <sub>MODSET</sub> , and I <sub>BMD</sub> below 10%			30	µs

# XFP Laser Control and Digital Diagnostic IC

## AC ELECTRICAL CHARACTERISTICS—SOFT\* CONTROL AND STATUS

(V<sub>CC3</sub> = +2.9V to +5.5V, V<sub>CC2</sub> = +1.6V to +3.6V, T<sub>A</sub> = -40°C to +100°C, unless otherwise noted.)

PARAMETER	SYMBOL	CONDITIONS	MIN	TYP	MAX	UNITS
Soft TX-D Assert Time	t <sub>OFF_Soft</sub>	IBIAS and IMOD below 10% of nominal			50	ms
Soft TX-D Deassert Time	t <sub>ON_Soft</sub>	IBIAS and IMOD above 90% of nominal			50	ms
Soft P-DOWN/RST Assert Time	t <sub>PDR-ON_Soft</sub>	IBIAS and IMOD below 10% of nominal			50	ms
Soft P-DOWN/RST Deassert Time	t <sub>PDR-OFF_Soft</sub>	IBIAS and IMOD above 90% of nominal			200	ms
Soft MOD-NR Assert Delay	t <sub>MOD-NR-ON_Soft</sub>	Time from fault to MOD-NR assertion			50	ms
Soft MOD-NR Deassert Delay	t <sub>MOD-NR-OFF_Soft</sub>	Time from read (clear flags) to MOD-NR deassertion			50	ms
Soft RX_LOS Assert Time	t <sub>LOS-ON_Soft</sub>	Time from SC-RX-LOS assertion to RX-LOS assertion			50	ms
Soft RX_LOS Deassert Time	t <sub>LOS-OFF_Soft</sub>	Time from SC-RX-LOS deassertion to RX-LOS deassertion			50	ms
Analog Parameter data Ready (DATA-NR)					500	ms

\*All SOFT timing specifications are measured from the falling edge of "STOP" signal during I<sup>2</sup>C communication.

## ANALOG INPUT CHARACTERISTICS

(V<sub>CC3</sub> = +2.9V to +5.5V, T<sub>A</sub> = -40°C to +100°C, unless otherwise noted.)

PARAMETER	SYMBOL	CONDITIONS	MIN	TYP	MAX	UNITS
I <sub>BMD</sub> Configurable Source or Sink (+/-)			0.05		1.50	mA
I <sub>BMD</sub> Voltage (I <sub>BMD</sub> - 0μA)	V <sub>BMD</sub>	Source mode		2.0		V
		Sink mode		1.2		
I <sub>BMD</sub> Input Resistance	R <sub>BMD</sub>		400	550	700	Ω

## A/D INPUT VOLTAGE MONITORING (IBIASMON, AUX2MON, AUX1MON, RSSI, BMD)

(V<sub>CC3</sub> = +2.9V to +5.5V, T<sub>A</sub> = -40°C to +100°C, unless otherwise noted.)

PARAMETER	SYMBOL	CONDITIONS	MIN	TYP	MAX	UNITS
Input Resolution	ΔV <sub>MON</sub>			610		μV
Supply Resolution	ΔV <sub>CC2/3</sub>			1.6		mV
Input/Supply Accuracy	A <sub>CC</sub>	At factory setting		0.25	0.5	%FS
Update Rate	t <sub>FRAME1</sub>	AUX1MON and AUX2MON disabled		48	52	ms
	t <sub>FRAME2</sub>	All channels enabled		64	75	
Input/Supply Offset	V <sub>OS</sub>	(Note 4)		0	5	LSB
Full-Scale Input (IBIASMON and RSSI)		At factory setting	2.4875	2.5	2.5125	V
Full-Scale Input (AUX1MON, AUX2MON, and V <sub>CC2/3</sub> )		At factory setting (Note 9)	6.5208	6.5536	6.5864	V
BMD (Monitor) (TX-P)		FS setting		1.5		mA

# XFP Laser Control and Digital Diagnostic IC

DS1862

## FAST ALARMS AND V<sub>CC</sub> FAULT CHARACTERISTICS

(V<sub>CC3</sub> = +2.9V to +5.5V, V<sub>CC2</sub> = +1.6V to +3.6V, T<sub>A</sub> = -40°C to +100°C, unless otherwise noted.)

PARAMETER	SYMBOL	CONDITIONS	MIN	TYP	MAX	UNITS
HIGHBIAS and TX-P Threshold FS		(Note 10)	2.48	2.5	2.52	mA
V <sub>CC2/3</sub> Fault Asserted Falling Edge Delay		↓ V <sub>CC2/3</sub> (Note 11)			75	ms
QT Temperature Coefficient			-3		+3	%
QT Voltage Coefficient					0.5	%/V
QT FS Trim Accuracy (4.2V, +25°C)			2.480	2.500	2.520	mA
QT Accuracy (Trip) (INL)			-2	0	+2	LSB
QT Voltco					0.5	%/V
QT Tempco				1.5	3	%

## NONVOLATILE MEMORY CHARACTERISTICS

(V<sub>CC3</sub> = +2.9V to +5.5V, unless otherwise noted.)

PARAMETER	SYMBOL	CONDITIONS	MIN	TYP	MAX	UNITS
Endurance (Write Cycle)		+70°C	50k			Cycles
Endurance (Write Cycle)		+25°C	200k			Cycles

**Note 1:** All voltages are referenced to ground. Current into IC is positive, out of the IC is negative.

**Note 2:** Secondary power supply is used to support optional variable power-supply feature of the XFP module. If V<sub>CC2</sub> is not used, (i.e., signal conditioners using 3.3V supply) V<sub>CC2</sub> should be connected to the V<sub>CC3</sub>.

**Note 3:** Input signals (i.e., TX-D, MOD-DESEL, and P-DOWN/RST) have internal pullup resistors.

**Note 4:** Guaranteed by design. Simulated over process and 50μA < I<sub>BMD</sub> < 1500μA.

**Note 5:** C<sub>B</sub>—total capacitance of one bus line in picofarads.

**Note 6:** EEPROM write begins after a stop condition occurs.

**Note 7:** This is the maximum and minimum voltage on the MODSET and BIASSET pins required to meet accuracy and drift specifications.

**Note 8:** For V<sub>THRSET</sub>, offset may be as much as 10mV.

**Note 9:** This is the uncalibrated offset provided by the factory; offset adjustment is available on this channel.

**Note 10:** % FS refers to calibrated FS in case of internal calibration, and uncalibrated FS in the case of external calibration. Uncalibrated FS is set in the factory and specified in this data sheet FS (factory). Calibrated FS is set by the user, allowing a change in any monitored channel scale.

**Note 11:** See the *Monitor Channels* section for more detail or V<sub>CC2</sub> and V<sub>CC3</sub> selection.

# XFP Laser Control and Digital Diagnostic IC

## Timing Diagrams

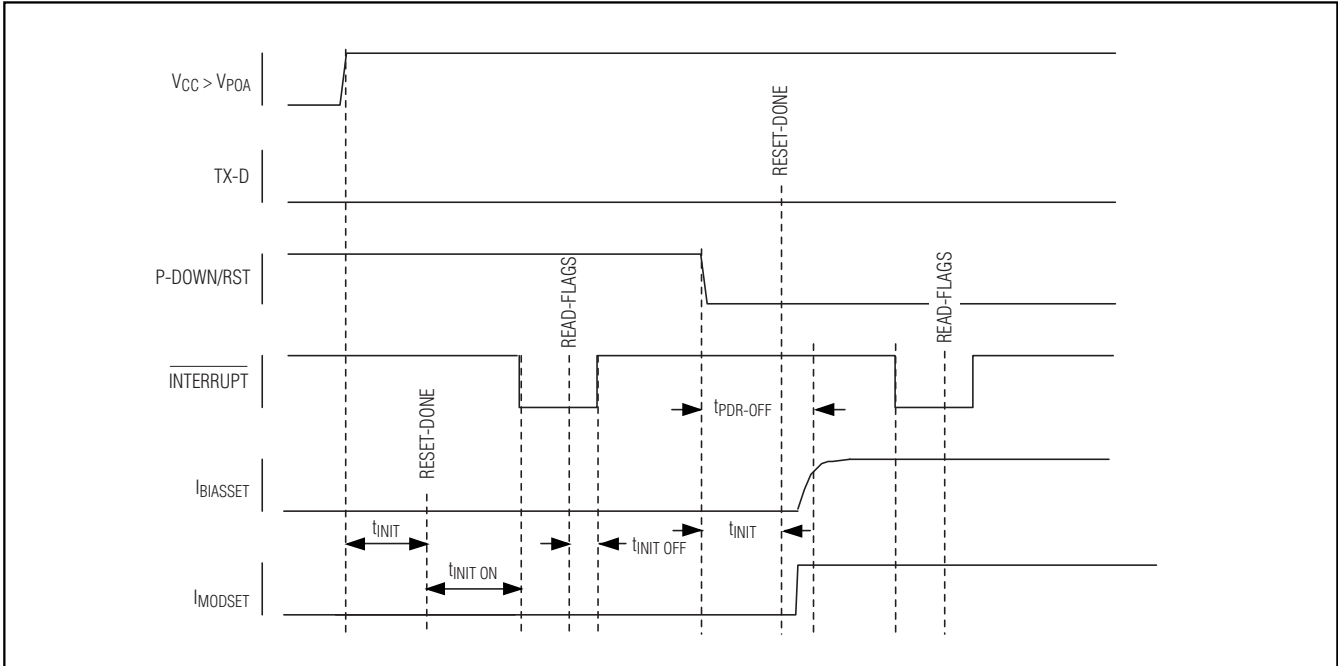


Figure 1. Power-On Initialization with P-DOWN/RST Asserted and TX-D/SOFT-TX-D Not Asserted

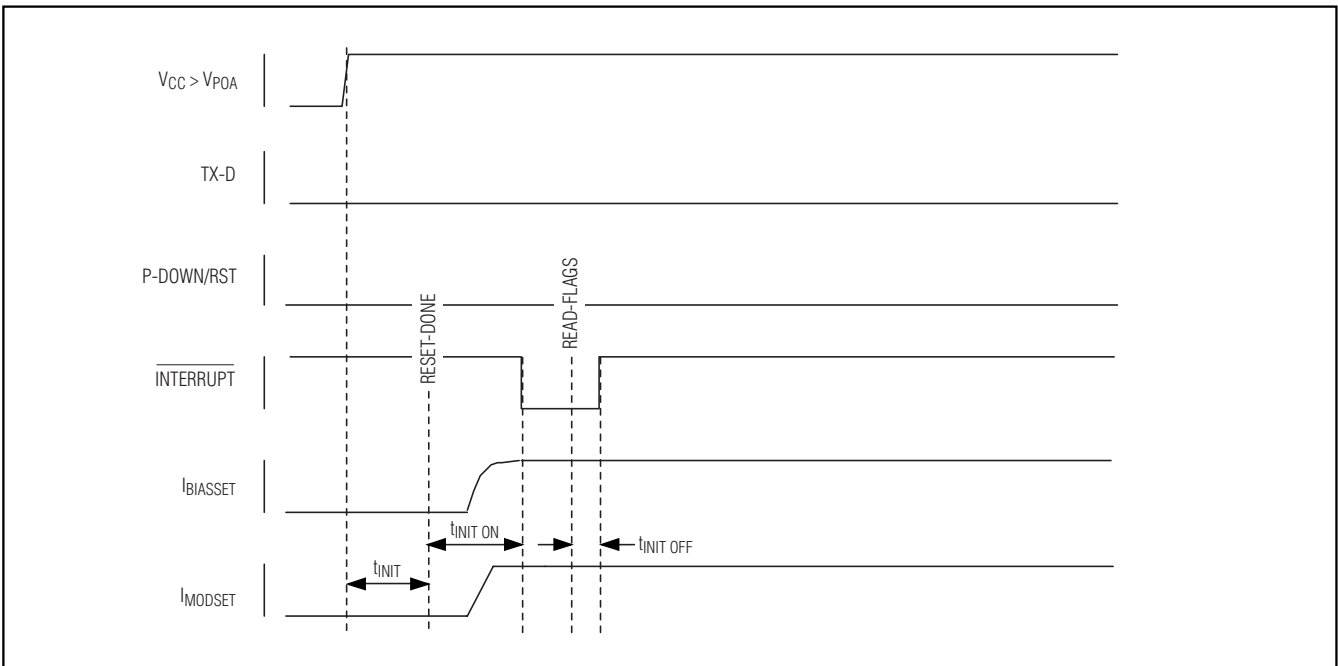


Figure 2. Power-On Initialization with P-DOWN/RST Not Asserted and TX-D/SOFT-TX-D Not Asserted (Normal Operation)



# XFP Laser Control and Digital Diagnostic IC

## Timing Diagrams (continued)

DS1862

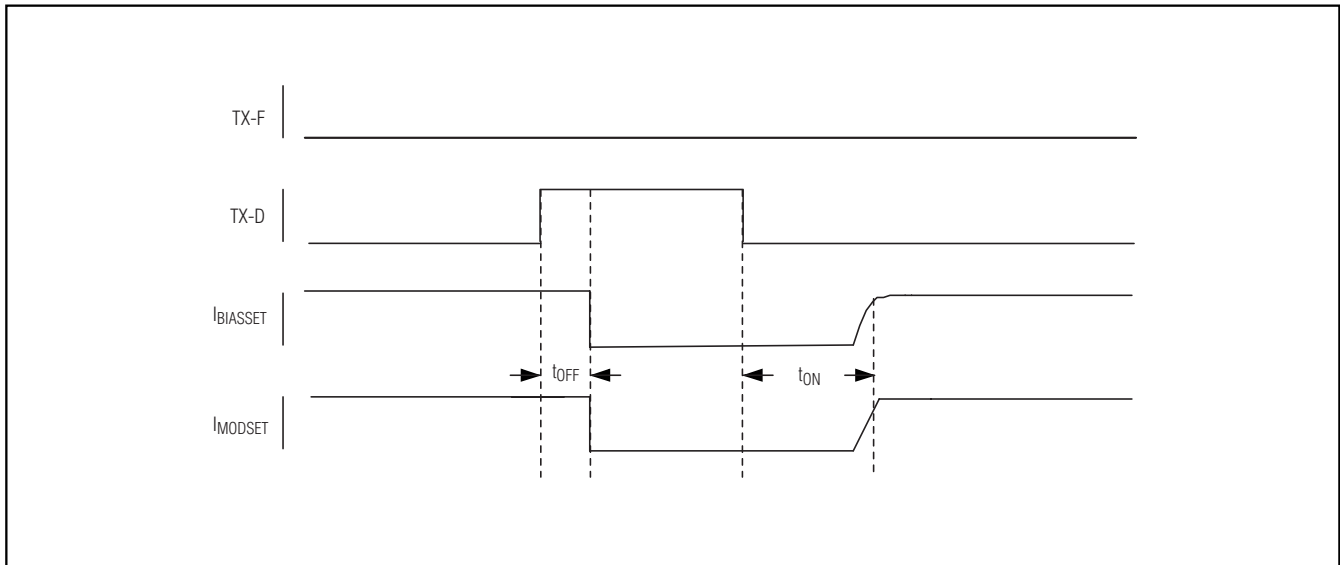


Figure 3. TX-D Timing During Normal Operation

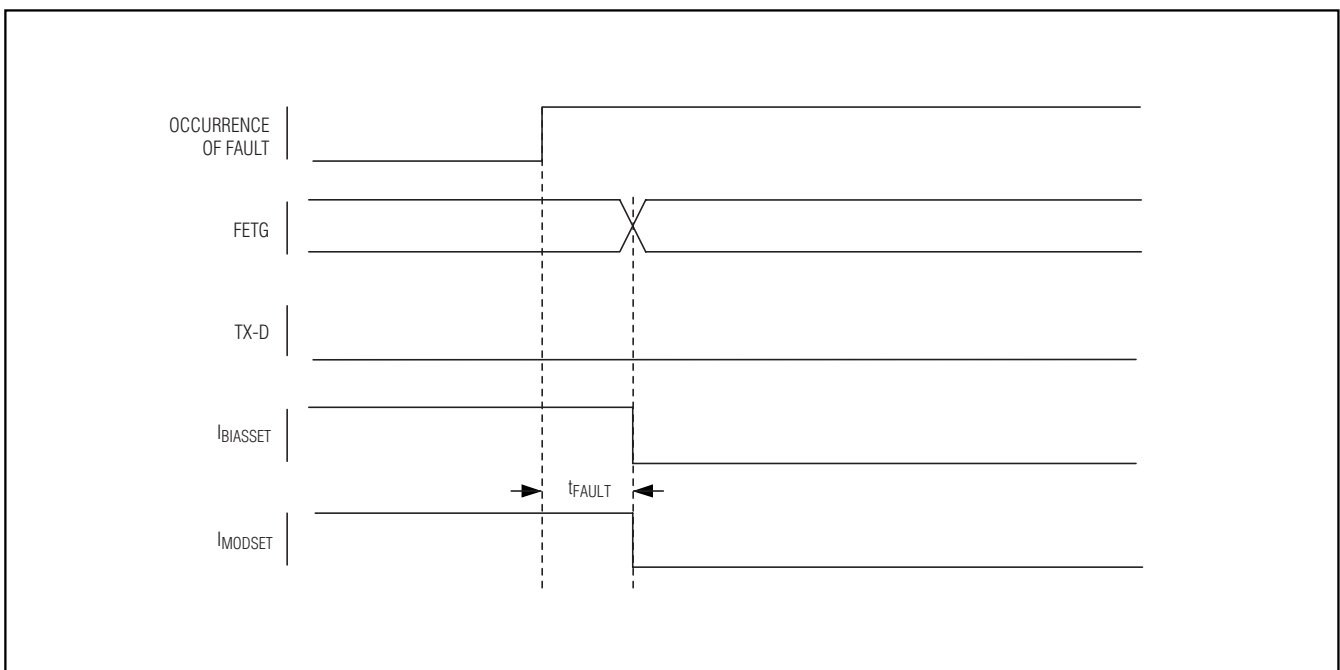


Figure 4. Detection of Safety Fault Condition

# XFP Laser Control and Digital Diagnostic IC

## Timing Diagrams (continued)

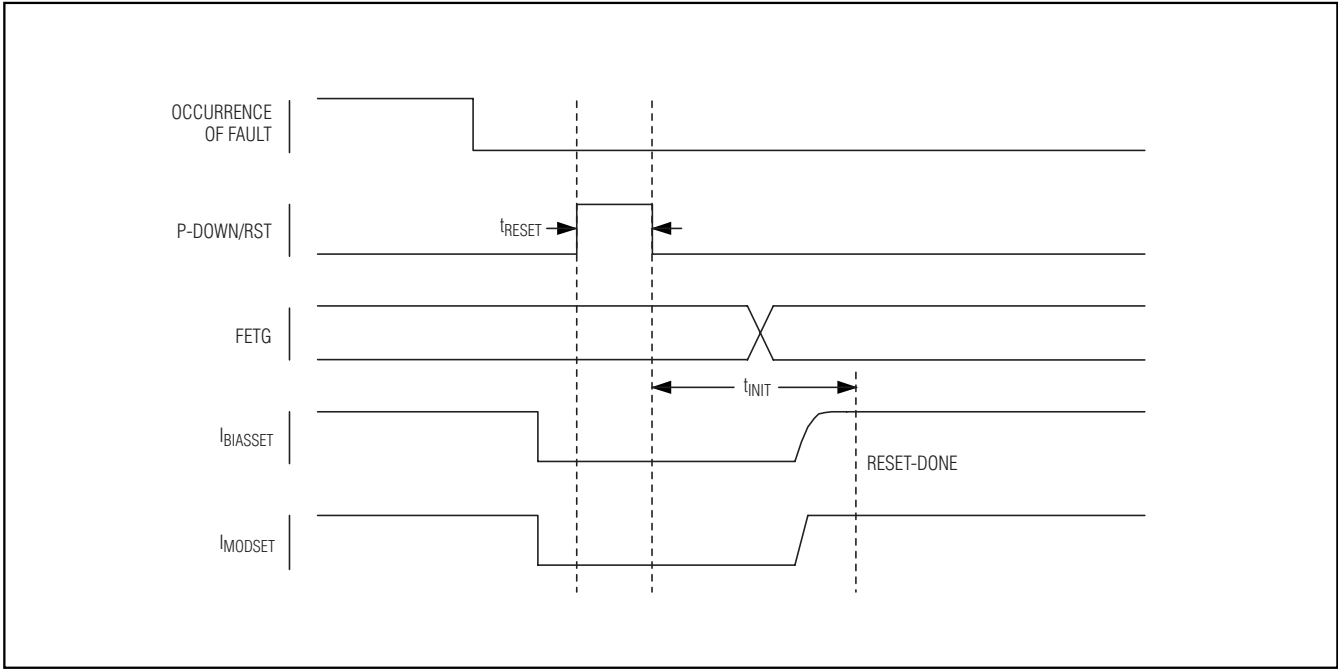


Figure 5. Successful Recovery from Transient Safety Fault Condition Using P-DOWN/RST

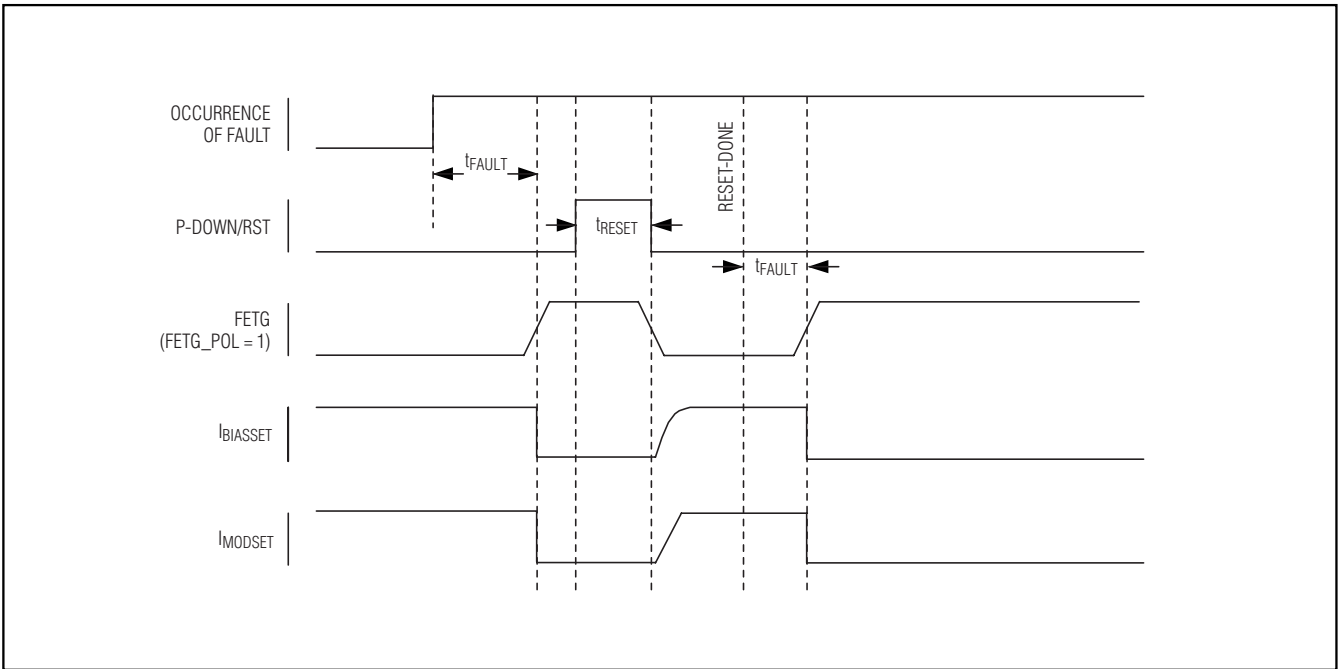


Figure 6. Unsuccessful Recovery from Transient Safety Fault Condition

# XFP Laser Control and Digital Diagnostic IC

## Timing Diagrams (continued)

DS1862

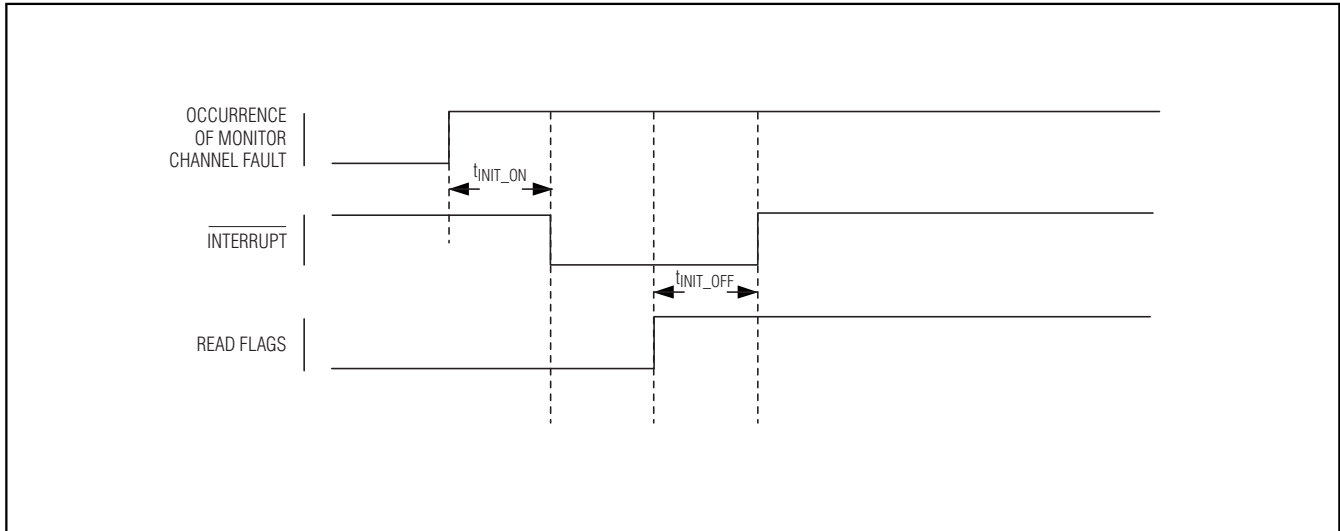
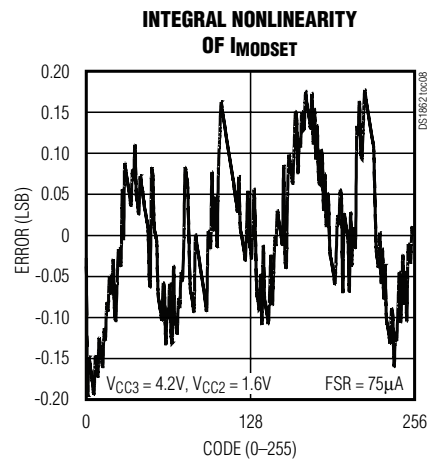
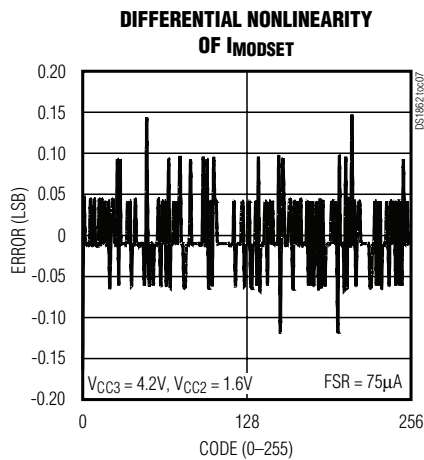
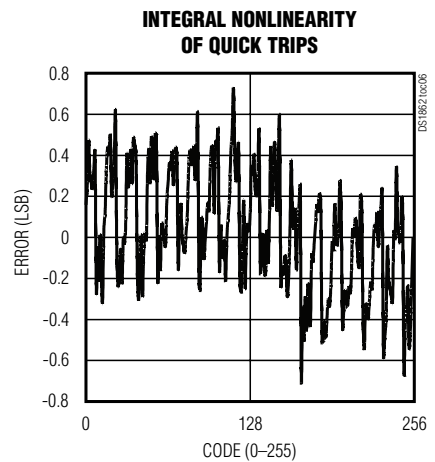
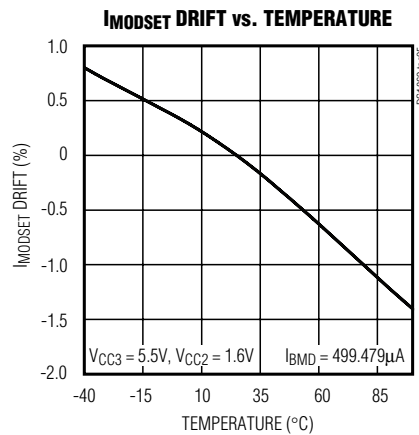
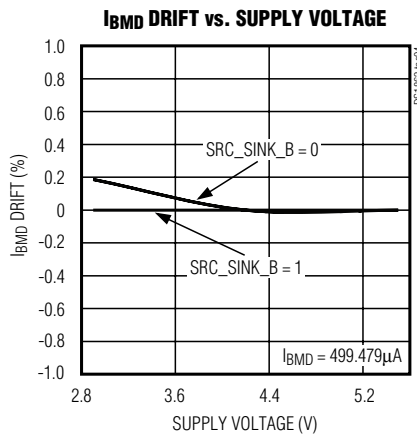
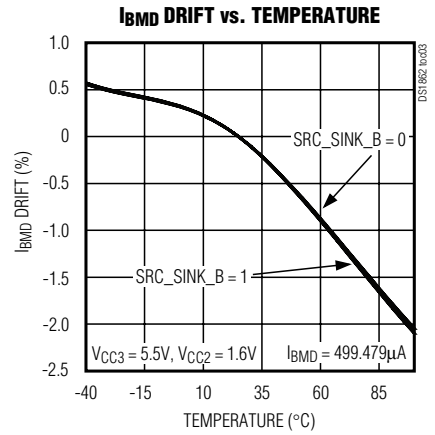
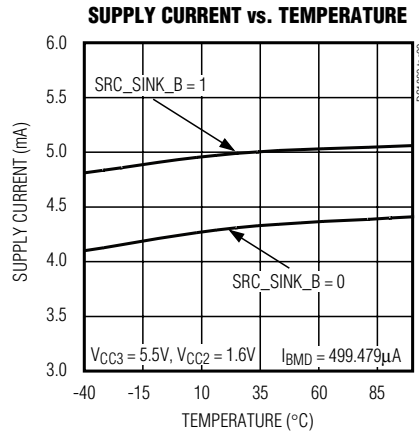
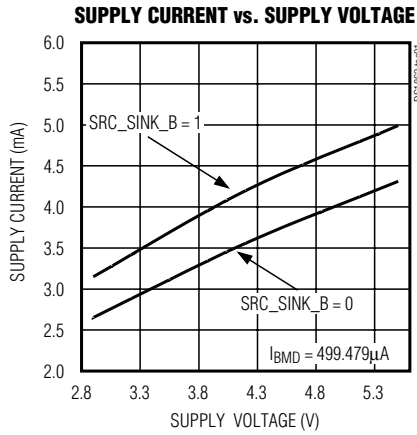


Figure 7. Monitor Channel Fault Timing

# XFP Laser Control and Digital Diagnostic IC

## Typical Operating Characteristics

( $T_A = +25^\circ\text{C}$ , unless otherwise noted.)



# XFP Laser Control and Digital Diagnostic IC

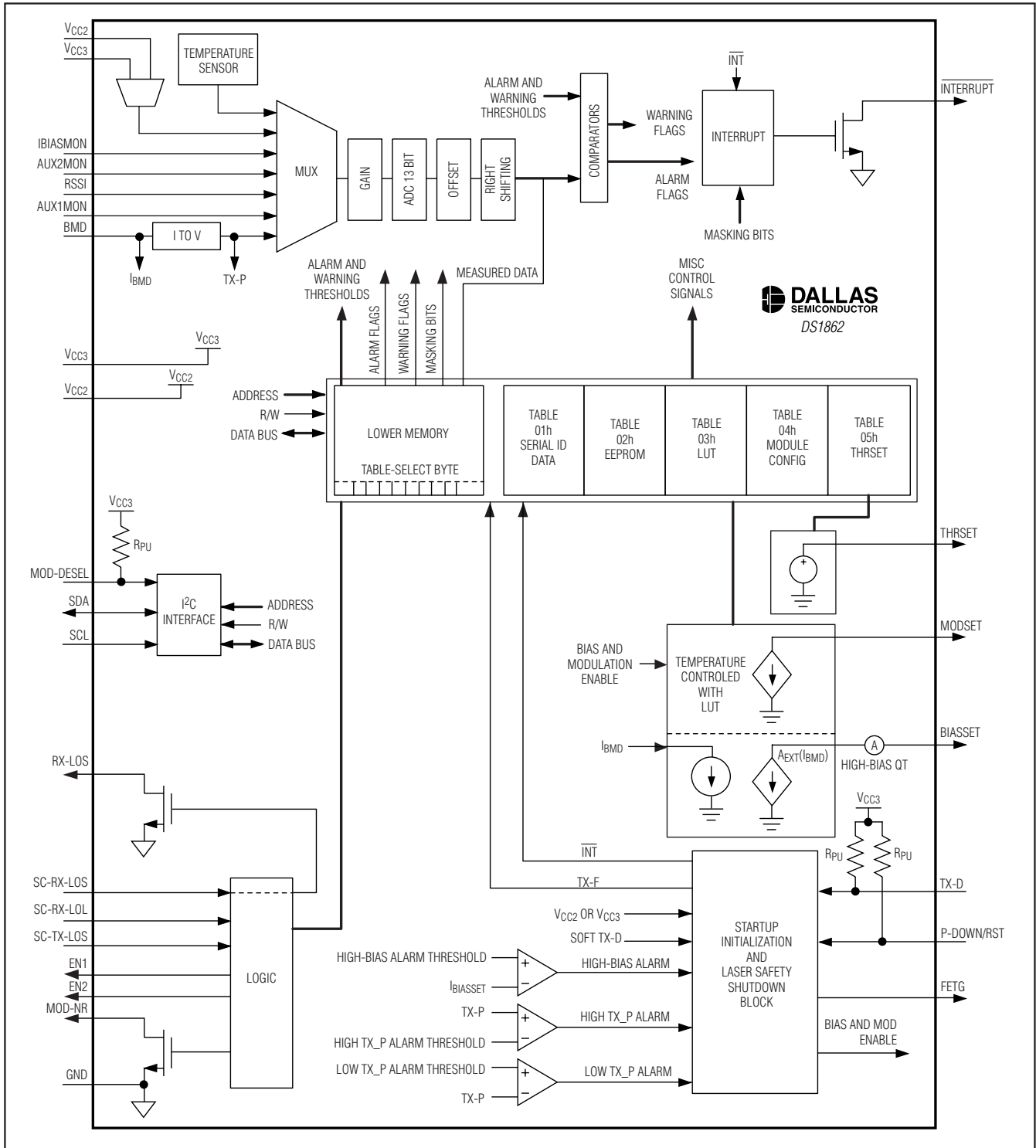
## Pin Description

DS1862

NAME	PIN	DESCRIPTION
P-DOWN/RST	A1	<b>Power-Down/Reset Input.</b> This multifunction pin is pulled high internally. See the <i>Power-Down/Reset Pin</i> section for additional information.
SC-RX-LOS	A2	<b>Signal Conditioner Receiver Loss-of-Signal Input.</b> This pin is an active-high input with LVCMOS/LVTTL voltage levels.
SC-RX-LOL	A3	<b>Signal Conditioner Receiver Loss-of-Lock Input.</b> This pin is an active-high input with LVCMOS/LVTTL voltage levels.
THRSET	A4	<b>Threshold Set Output.</b> This pin is a programmable voltage source that can be used for Rx signal conditioner.
VCC2	A5	<b>1.8V Power-Supply Input</b>
RX-LOS	B1	<b>Receiver Loss-of-Signal.</b> This open-drain output indicates when there is insufficient optical power.
SCL	B2	<b>I<sup>2</sup>C Serial-Clock Input</b>
FETG	B3	<b>FET Gate Output.</b> This pin can drive an external FET gate associated with safety fault disconnect.
RSSI	B4	<b>Received Power Signal Input</b>
MODSET	B5	<b>Modulation Current Output.</b> This pin is only capable of sinking current.
TX-D	C1	<b>Transmit Disable Input.</b> This pin has an internal pullup resistor.
SDA	C2	<b>I<sup>2</sup>C Serial-Data Input/Output</b>
EN1	C3	<b>Enable 1 Output.</b> Functional control for signal conditioners.
EN2	C4	<b>Enable 2 Output.</b> Functional control for signal conditioners.
BIASSET	C5	<b>Bias Current Output.</b> This pin is only capable of sinking current.
INTERRUPT	D1	<b>Interrupt.</b> This open-drain output pin indicates a possible operational fault or critical status condition to the host.
MOD-NR	D2	<b>Indicating Module Operational Fault.</b> Open-drain output. This pin indicates the status of the MOD-NR flag.
AUX1MON	D3	<b>Aux1 Monitor Input.</b> This pin can be used to measure any voltage quantity.
AUX2MON	D4	<b>Aux2 Monitor Input.</b> This pin can be used to measure any voltage quantity or external temperature sensor.
BMD	D5	<b>Monitor Diode Current Input.</b> This pin is capable of sourcing or sinking current.
GND	E1	<b>Ground</b>
MOD-DESEL	E2	<b>Module Deselect Input.</b> This pin must be pulled low to enable I <sup>2</sup> C communication. This pin is pulled high internally.
IBIASMON	E3	<b>Bias Monitor Input.</b> This pin can be used to monitor the voltage across the laser.
SC-TX-LOS	E4	<b>Signal Conditioner Transmitter Loss-of-Signal.</b> This pin is an active-high input with LVCMOS/LVTTL voltage levels.
VCC3	E5	<b>3.3V or 5V Power-Supply Input</b>

# XFP Laser Control and Digital Diagnostic IC

## Block Diagram



# XFP Laser Control and Digital Diagnostic IC

## Detailed Description

The DS1862's block diagram is described in detail within the following sections and memory map/memory description.

### Automatic Power Control (APC)

The DS1862's APC is accomplished by closed-loop adjustment of the bias current (BIASSET) until the feedback current (BMD) from a photodiode matches the value determined by the APC registers. The relationship between the APC register and  $I_{BMD}$  is given by:

$$I_{BMD} = 5.859\mu A \times APC_C<7:0> + (1.464\mu A \times APC_F<1:0>)$$

where  $APC_C<7:0>$  is the 8-bit value in Table 04h, byte 84h that controls the coarse BMD current and  $APC_F<1:0>$  is the 2-bit value that controls the fine BMD current.

The BMD pin appears as a voltage source in series with two resistors. The overall equivalent resistance of the BMD input pin can be closely approximated by the plot in Figure 8. The voltage that appears on the BMD pin, assuming no external current load, is 1.2V if BMD is in sink-current mode ( $SRC\_SINK\_B = 0$ ) or 2.0V if BMD is set to source current ( $SRC\_SINK\_B = 1$ ). This allows the photodiode to be referenced to either  $V_{CC3}$  or GND. When the control loop is at steady state, the BMD current setting matches the current that is measured by the  $I_{BMD}$  voltage across the internal resistance. During a transient period, the DS1862 adjusts the current drive on the BIASSET pin to bring the loop into steady state. The DS1862 is designed to support loop gains of 1/20 to 10.

On power-up, the BMD current ramps up to the previously saved current setting in EEPROM APC registers. While operating, the DS1862 monitors the BMD current. If it begins to deviate from the desired (set)  $I_{BMD}$  value, then, again, the current on the BIASSET pin is adjusted to compensate.

### Extinction Ratio Control Look-Up Table (LUT)

The DS1862 uses a temperature indexed look-up table (LUT) to control the extinction ratio. The MODSET pin is capable of sinking current based on the 8-bit binary value that is controlling it. The DS1862 also features a user-configurable current range to increase extinction ratio resolution. Five current ranges, as described in Table 1, are available to control the current entering MODSET.

**Table 1. Selectable Current Ranges for MODSET**

LUT CURRENT RANGE TABLE 04h, BYTE 86h<2:0>	CURRENT RANGE ( $\mu A$ )
000	0 to 75
001	0 to 150
010	0 to 300
011	0 to 600
100	0 to 1200

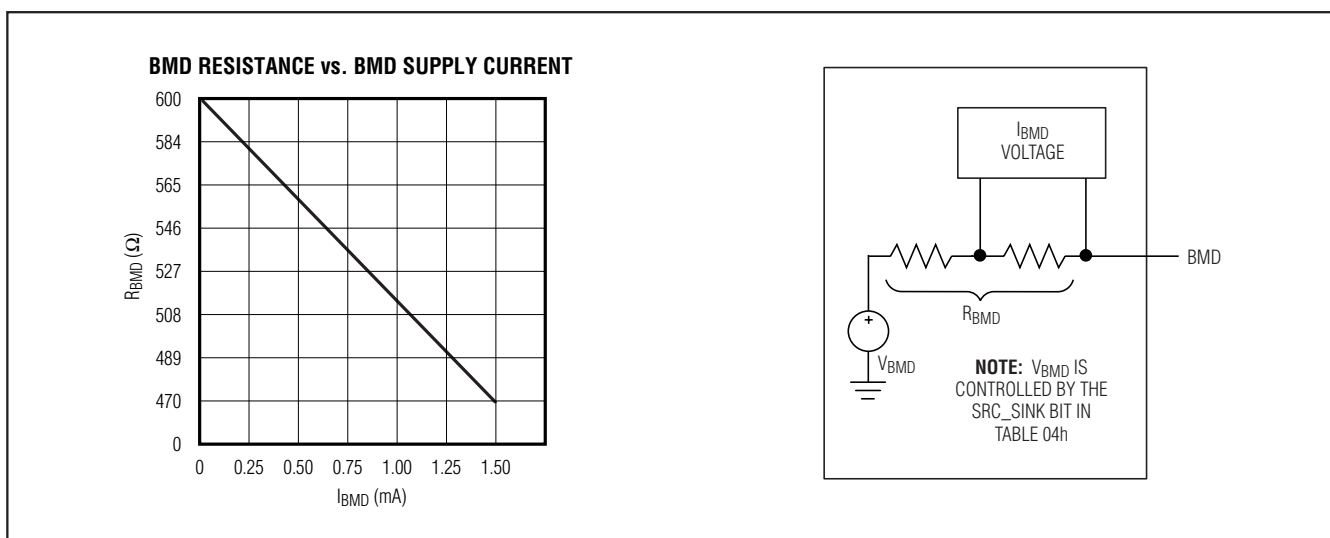


Figure 8. Approximate Model of the BMD Input

# XFP Laser Control and Digital Diagnostic IC

If the largest current range is selected, the maximum value of FFh (from LUT) corresponds to a 1200µA sink current. Regardless of current range, the MODSET value always consists of 256 steps, including zero.

IMODSET can be controlled automatically with the temperature-based look-up table, or by three other manual methods.

Automatic temperature addressed look-up is accomplished by an internal or external temperature sensor controlling an address pointer. This pointer indexes through 127 previously loaded 8-bit current values stored in the LUT. Each one of the 127 temperature slot locations corresponds to a 2°C increment over the -40°C to +102°C temperature range. Any temperature above or below these points causes the code in the first or last temperature slot to be indexed. Both the internal temperature sensor and an external sensor connected to AUX2MON are capable of providing a signal to control the extinction ratio automatically with an indexed LUT. Table 2 illustrates the relationship between the temperature and the memory locations in the LUT.

**Table 2. Temperature Look-Up Table**

TEMPERATURE (°C)	CORRESPONDING LOOK-UP TABLE ADDRESS
< -40	80h
-40	80h
-38	81h
-36	82h
—	—
+96	C4h
+98	C5h
+100	C6h
+102	C7h
> +102	C7h

Automatic and manual control of MODSET is controlled by two bits: TEN and AEN that reside in Table 04h, Byte B2h. By default (from factory) TEN and AEN are both set, causing complete automatic temperature-based look-up. If TEN and/or AEN are altered, then the DS1862 is set to one of the manual modes. Table 3 describes manual mode functionality.

**Table 3. Truth Table for TEN and AEN Bits**

TEN	AEN	DS1862 LUT FUNCTIONALITY
0	0	Manual mode that allows users to write a value directly to the LUT Value register (Table 04h, Byte B1h) to drive MODSET. While in this mode, the LUT index pointer register is not being updated, and no longer drives the LUT Value register.
0	1	Manual mode that allows users to write a value directly to the LUT Value register (Table 04h, Byte B1h) to drive MODSET. While in this mode, the LUT index pointer register is still being updated, however it no longer drives the LUT Value register.
1	0	Manual mode that allows users to write a value to the LUT index pointer (Table 04h, Byte B0), then the DS1862 updates the LUT Value register (Table 04h, Byte B1h) based on the user's index pointer.
1	1	Automatic mode (factory default). This mode automatically indexes the LUT based on temperature, placing the resulting LUT address in the LUT index pointer register (Table 04h, Byte B0h). Then the MODSET setting is transferred from that LUT address to the LUT Value register (Table 04h, Byte B1h). Lastly the IMODSET is set to the new MODSET code.



# XFP Laser Control and Digital Diagnostic IC

## Monitor Channels

The DS1862 has seven monitored voltage signals that are polled in a round-robin multiplexed sequence and are updated with the frame rate,  $t_{FRAME}$ . All channels are read as 16-bit values, but have 13-bit resolution, and with the exception of temperature measurements, all channels are stored as unsigned values. The resulting 16-bit value for all monitored channels, except internal temperature, is calculated by internally averaging the analog-to-digital result 8 times. The resulting internal temperature monitor channel is averaged 16 times. See the *Internal Calibration* section for a complete description of each channel's method(s) of internal calibration.

The AUX1MON, AUX2MON, and  $V_{CC2/3}$  monitor channels are optional and can be disabled. This feature allows for shorter frame rate for the essential monitor channels. Channels that can not be disabled are: internal temperature, BMD, RSSI, and IBIASMON. A table of full-scale (FS) signal values (using factory internal calibration without right shifting) and the resulting FS code values for all seven channels is provided below.

### Measuring Temperature—Internal or External

The DS1862 is capable of measuring temperature on three different monitor channels: internal temperature sensor, AUX1MON, and AUX2MON. Only the internal temperature and AUX2MON channels are capable of indexing the LUT to control the extinction ratio. To use an external temperature sensor on AUX2MON, the TEMP\_INT/EXT bit in Table 04h, Byte 8Bh, must be set. While AUX2MON controls the extinction ratio, the internal temperature sensor does not stop running; despite extinction ratio control by AUX2MON, it is this internal temperature signal that continues to control the status of temperature flags. Also when TEMP\_INT/EXT = 1, the internal temperature clamps at  $-40^{\circ}\text{C}$  and  $+103.9375^{\circ}\text{C}$ , and when TEMP\_INT/EXT = 0 it clamps at  $-120^{\circ}\text{C}$  and  $+127.984^{\circ}\text{C}$ . AUX2MON, however, does have its own flag to indicate an out-of-tolerance condition and assert the INTERRUPT pin.

Both AUX1MON and AUX2MON can be used to measure temperature as a function of voltage on their respective pins. They can be enabled by selecting either 0h or 4h from Table 5. Internal (or external) calibration may be required to transmute the input voltage to the desired two's-complement digital code, readable from the result registers in lower memory, Bytes 6Ah, 6Bh and 6Ch, 6Dh.

### Measuring $V_{CC2/3}$

The DS1862 has the flexibility to internally measure either  $V_{CC2}$  or  $V_{CC3}$  to monitor supply voltage.  $V_{CC2}$  or  $V_{CC3}$  is user selectable by the  $V_{CC2/3\_Sel}$  bit in Table 01h, Byte DCh. To remove  $V_{CC2/3}$  from the round-robin monitor update scheme, despite having  $V_{CC2}$  or  $V_{CC3}$  selected to be monitored, the Reserve\_EN bit in Table 04h, Byte 8Bh can be programmed to a 0. The analog power-on-reset flag, POA, indicates the status of  $V_{CC3}$  power supply. Even though POA seems to behave similarly to  $V_{CC2/3}$  monitor channel, it is completely separate and has no connection.

RESERVE_EN	$V_{CC2/3\_Sel}$	RESULT
0	0	$V_{CC2/3}$ result not enabled.
0	1	$V_{CC2/3}$ result not enabled.
1	0	$V_{CC3}$ is being measured.
1	1	$V_{CC2}$ is being measured.

### Measuring APC and Laser Parameters—BMD, IBIASMON, RSSI

BMD and BIASET are used to control and monitor the laser functionality. Regardless of the set BMD current in the APC register, the DS1862 measures BMD pin current and uses this value not only to adjust the current on the BIASET pin, but also to monitor TX-P as well. The IBIASMON pin is used to input a voltage signal to the DS1862 that can be used to monitor the bias current through the laser. This monitor channel does not drive the HIGHBIAS quick-trip (QT) alarms for safety

**Table 4. Monitor Channel FS and LSB Detail**

SIGNAL	+FS SIGNAL	+FS (hex)	-FS SIGNAL	-FS (hex)	LSB
Temperature	127.984°C	7FF8	$-120^{\circ}\text{C}$	8800	0.0625°C
$V_{CC2/3}$	6.5528V	FFF8	0V	0000	100μV
IBIASMON	2.4997V	FFF8	0V	0000	38.147μV
RSSI	2.4997V	FFF8	0V	0000	38.147μV
AUX1MON	6.5528V	FFF8	0V	0000	38.147μV
AUX2MON	6.5528V	FFF8	0V	0000	38.147μV
BMD (TX-P)	1.5mA	FFF8	0mA	0000	22.888nA

# XFP Laser Control and Digital Diagnostic IC

fault functionality, current on the BIASSET pin is monitored by the DS1862 to control the HIGHBIAS quick trip. Similar to TX-P, the RSSI pin is used to measure the received power, RX-P.

## Measuring Voltage Quantities using AUX1MON and AUX2MON

AUX1MON and AUX2MON are auxiliary monitor inputs that may be used to measure additional parameters. AUX1/2MON feature a user-selectable register that determines the measured value's units (i.e., voltage, current, or temperature). In addition to indicating units, some of the 4-bit op-codes, in Table 5, also place the part in special modes used for alarms and faults internally. Whichever units' scale is selected, the DS1862 is only capable of measuring a positive voltage quantity, therefore internal or external calibration may be

**Table 5. AUX1/2MON Functionality Selection (Unit Selection)**

VALUE	DESCRIPTION OF AUX1/2MON INTENDED USE (UNITS OF MEASURE)
0000b	Auxiliary monitoring not implemented
0001b	APD bias voltage (16-bit value is voltage in units of 10mV)
0010b	Reserved
0011b	TEC current (mA), (16-bit value is current in units of 0.1mA)
0100b	Laser temperature (same encoding as module temperature)
0101b	Laser wavelength
0110b	+5V supply voltage (encoded as primary voltage monitor)
0111b	+3.3V supply voltage (encoded as primary voltage monitor)
1000b	+1.8V supply voltage (encoded as primary voltage monitor) (VCC2)
1001b	-5.2V supply voltage (encoded as primary voltage monitor)
1010b	+5V supply current (16-bit value is current in 0.1mA)
1101b	+3.3V supply current (16-bit value is current in 0.1mA)
1110b	+1.8V supply current (16-bit value is current in 0.1mA)
1111b	-5.2V supply current (16-bit value is current in 0.1mA)

required to get the binary value to match the measured quantity. A table of acceptable units and/or their corresponding user-programmable 4-bit op-code is provided below.

## Alarms and Warning Flags Based on Monitor Channels

All of the monitor channels feature alarm and warning flags that are asserted automatically as user-programmed thresholds are internally compared with monitor channel results. Flags may be set, which, if not masked, will generate an interrupt on the INTERRUPT pin or generate a safety fault. Whenever VCC2/3, AUX2MON, AUX1MON, RSSI, and internal temperature go beyond their threshold trip points and the corresponding mask bit is 0, an interrupt is generated on the INTERRUPT pin and a corresponding warning or alarm flag is set. Similarly, a safety fault occurs whenever BMD or BIASSET go beyond threshold trip points. When this happens, the FETG pin immediately asserts and BIASSET and MODSET currents are shut down.

## Monitor Channel Conversion Example

Table 6 provides an example of how a 16-bit ADC code corresponds to a real life measured voltage using the factory-set calibration on either RSSI or IBIASMON. By factory default, the LSB is set to 38.147 $\mu$ V.

**Table 6. A/D Conversion Example**

MSB (BIN)	LSB (BIN)	VOLTAGE (V)
11000000	00000000	1.875
10000000	10000000	1.255

To calculate VCC2, VCC3, AUX1MON, or AUX2MON, convert the unsigned 16-bit value to decimal and multiply by 100 $\mu$ V.

To calculate the temperature (internal), treat the two's-complement value binary number as an unsigned binary number, then convert it to decimal and divide by 256. If the result is greater than or equal to 128, subtract 256 from the result.

Temperature: high byte = -128 $^{\circ}$ C to +127 $^{\circ}$ C signed; low byte = 1/256 $^{\circ}$ C.

**Table 7. Temperature Bit Weights**

S	2 <sup>6</sup>	2 <sup>5</sup>	2 <sup>4</sup>	2 <sup>3</sup>	2 <sup>2</sup>	2 <sup>1</sup>	2 <sup>0</sup>
2 <sup>-1</sup>	2 <sup>-2</sup>	2 <sup>-3</sup>	2 <sup>-4</sup>	2 <sup>-5</sup>	—	—	—

# XFP Laser Control and Digital Diagnostic IC

**Table 8. Temperature Conversion Examples**

MSB (BIN)	LSB (BIN)	TEMPERATURE (°C)
01000000	00000000	+64
01000000	00001000	+64.03215
01011111	00000000	+95
11110110	00000000	-10
11011000	00000000	-40

### Internal Calibration

The DS1862 has two means for scaling an analog input to a digital result. The two devices alter the gain and offset of the signal to be calibrated. All of the inputs except internal temperature have unique registers for both the gain and the offset that can be found in Table 04h. See the table below for a complete description of internal calibration capabilities including right-shifting for all monitor channels.

**Table 9. Internal Calibration Capabilities**

SIGNAL	INTERNAL SCALING	INTERNAL OFFSET	RIGHT-SHIFTING
Temperature	—	x	—
V <sub>CC2/3</sub>	x	x	—
IBIASMON	x	x	x
RSSI (RX-P)	x	x	x
AUX1MON	x	x	x
AUX2MON	x	x	x
BMD (TX-P)	x	x	x

To scale a specific input's gain and offset, the relationship between the analog input and the expected digital result must be known. The input that would produce a corresponding digital result of all zeroes is the null value (normally this input is GND). The input that would produce a corresponding digital result of all ones is the full-scale (FS) value minus one LSB. The FS value is also found by multiplying an all ones digital value by the weighted LSB. For example, a digital reading is 16 bits long, assume that the LSB is known to be 50µV, then the FS value would be  $2^{16} \times 50\mu\text{V} = 3.2768\text{V}$ .

A binary search can be used to find the appropriate gain value to achieve the desired FS of the converter. Once the gain value is determined, then it can be

loaded into the appropriate channels' Gain register. This requires forcing two known voltages on to the monitor input pin. For best results, one of the forced voltages should be the NULL input and the other should be 90% of FS. Since the LSB of the least significant bit in the digital reading register is known, the expected digital results are also known for both the null and FS value inputs. Figure 9 describes the hysteresis built into the DS1862's LUT functionality.

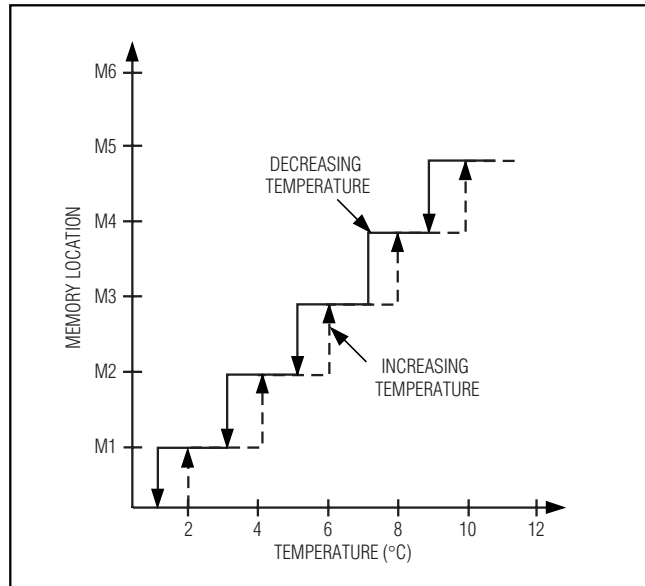


Figure 9. Look-Up Table Hysteresis

With the exception of BMD, which can source or sink current, all monitored channels are high impedance and are only capable of directly measuring a voltage. If other measured quantities are desired, such as: frequency, power, current etc., they must be converted to a voltage. In this situation the user is not interested in voltage measurement on the monitored channel, but the measurement of the desired parameter. Only the relationship between the indirect measured quantity (light, frequency, power, current, etc.) to the expected digital result must be known.

An example of gain scaling using the recommended binary search procedure is provided with the following pseudo-code.

To help with the computation, two integers need to be defined: count 1 and count 2. CNT1 = NULL / LSB and CNT2 = 90%FS / LSB. CLAMP is the largest result that can be accommodated.

# XFP Laser Control and Digital Diagnostic IC

```

/* Assume that the Null input is 0.5V. */
/* In addition, the requirement for LSB is 50µV. */
FS = 65536 * 50e-6; /* 3.2768 */
CNT1 = 0.5 / 50e-6; /* 10000 */
CNT2 = 0.90*FS / 50e-6; /* 58982 */
/* Thus the NULL input of 0.5V and the 90% of FS input
is 2.94912V. */
set the trim-offset-register to zero;
set Right-Shift register to zero (Typically zero.
See the Right-Shifting section);
gain_result = 0h;
CLAMP = FFF8h/2^(Right_Shift_Register);
For n = 15 down to 0
begin
    gain_result = gain_result + 2^n;
    Force the 90% FS input (2.94912V);
    Meas2 = read the digital result from the part;
If Meas2 >= CLAMP then
    gain_result = gain_result - 2^n;
Else
    Force the NULL input (0.5V);
    Meas1 = read the digital result from the part;
    if (Meas2 - Meas1) > (CNT2 - CNT1) then
        gain_result = gain_result - 2^n;
end;
Set the gain register to gain_result;

```

The gain register is now set and the resolution of the conversion will best match the expected LSB. The next step is to calibrate the offset of the DS1862. With the correct gain value written to the gain register, again force the NULL input to the monitor pin. Read the digital result from the part (Meas1). The offset value is equal to negative value of Meas1.

$$\text{OFFSET\_REGISTER} = \left[ \frac{(-1)\text{MEAS1}}{4} \right]$$

The calculated offset is now written to the DS1862 and the gain-and offset-scaling procedure is complete.

## Right-Shifting A/D Conversion Result (Scalable Dynamic Ranging)

Right-shifting is a digital method used to regain some of the lost ADC range of a calibrated system. If right-shifting is enabled, by simply loading a non-zero value into the appropriate Right-Shifting Register, then the DS1862 shifts the calibrated result just before it is stored into the monitor channels' register. If a system is calibrated so the maximum expected input results in a digital output value of less than 7FFFh (50% of FS), then it is a candidate for using the right-shifting method.

If the maximum desired digital output is less than 7FFFh, then the calibrated system is using less than 1/2 the ADC's range. Similarly, if the maximum desired digital output is less than 1FFFh, then the calibrated system is only using 1/8th the ADC's range. For example, if an applied maximum analog signal yields a maximum digital output less than 1FFCh, then only 1/8th of the ADC's range is used. Right-shifting improves the resolution of the measured signal as part of internal calibration. Without right-shifting, the 3 MS bits of the ADC will never be used. In this example, a value of 3 for the right-shifting maximizes the ADC range and a larger gain setting must be loaded to achieve optimal conversion. No resolution is lost since this is a 13-bit converter that is left justified. The value can be right-shifted 3 times without losing any resolution. The following table describes when the right-shifting method can be effectively used.

**Table 10. Right-Shifting Selection**

OUTPUT RANGE USED WITH ZERO RIGHT-SHIFTS	NUMBER OF RIGHT-SHIFTS NEEDED
0h .. FFFFh	0
0h .. 7FFFh	1
0h .. 3FFFh	2
0h .. 1FFFh	3
0h .. 0FFFh	4

# XFP Laser Control and Digital Diagnostic IC

## Warning and Alarm Logic Based on AUX1/2MON, VCC2/3, Temp, RX-P, and IBIASMON

The DS1862 is capable of generating an alarm and/or warning whenever an analog monitored channel goes out of a user-defined tolerance. Temperature, bias current (based on IBIASMON), receive power (based on RSSI), AUX1MON, AUX2MON, and VCC2/3, are moni-

tored channels that generate latched flags. See the figure below for more detail pertaining to AUX1MON and AUX2MON. Flags are latched into a high state the first time a monitored channel goes out of the defined operating window and for each monitored signal there is a Mask bit that can be set to prevent the corresponding alarm or warning flag from being set. Once a flag is set, it is cleared by simply reading its memory location.

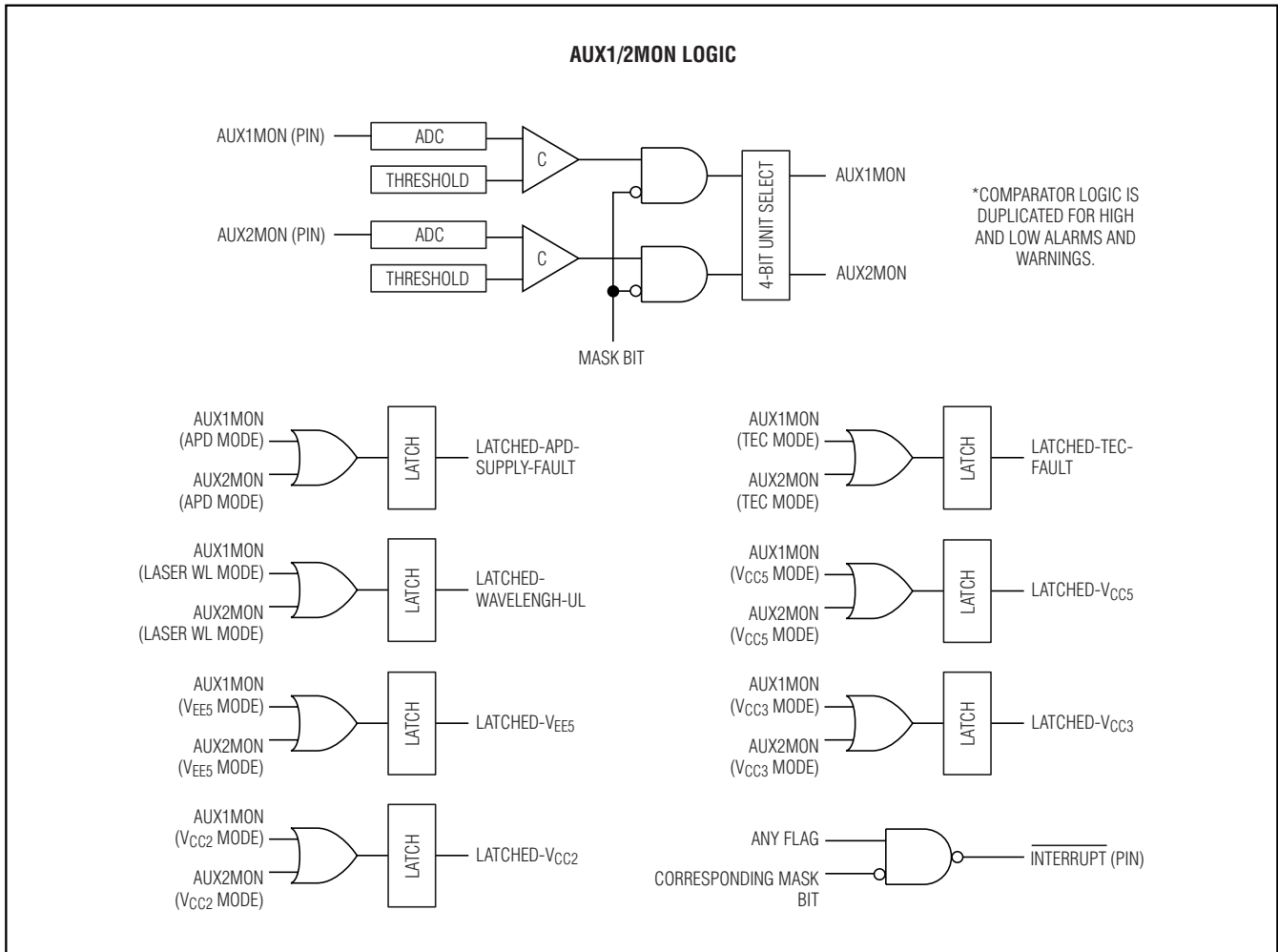


Figure 10. AUX1/2 Monitor Logic

# XFP Laser Control and Digital Diagnostic IC

## Warning and Alarm Logic Based on Signal Conditioners

The DS1862 also has flags that are set by certain logical conditions on signal conditioner (SC) pins: SC-RX-LOL, SC-RX-LOS, SC-TX-LOS. Similarly, for each latched signal conditioner flag there are also mask bits that are capable of preventing the alarm or warning flag from causing an INTERRUPT pin to assert. Again, flags are cleared automatically whenever their memory address is read. See Figure 11 for more detail.

## Quick-Trip Logic and FTEG Shutdown Functionality

In addition to alarms and warnings, the DS1862 also has quick-trip (QT) functionality (sometimes referred to

as fast alarms) that is capable of shutting down the LASER with the FETG pin in conjunction with shutting down I<sub>MODSET</sub> and I<sub>BIASSET</sub>. I<sub>BMD</sub> and I<sub>BIASSET</sub> currents are measured and are compared with user-defined trip points to set the quick-trip flags: QT LOW TX-P, QT HIGH TX-P, and QT HIGH BIAS. These flags are also capable of being masked to prevent FETG from being asserted when an out-of-tolerance condition is detected. FETG is not asserted by setting the TX-D pin, SOFT TX-D, or P-DOWN/RST pin to a high state, however, I<sub>MODSET</sub>, and I<sub>BIASSET</sub> will shut down. See Figure 12 for more detail.

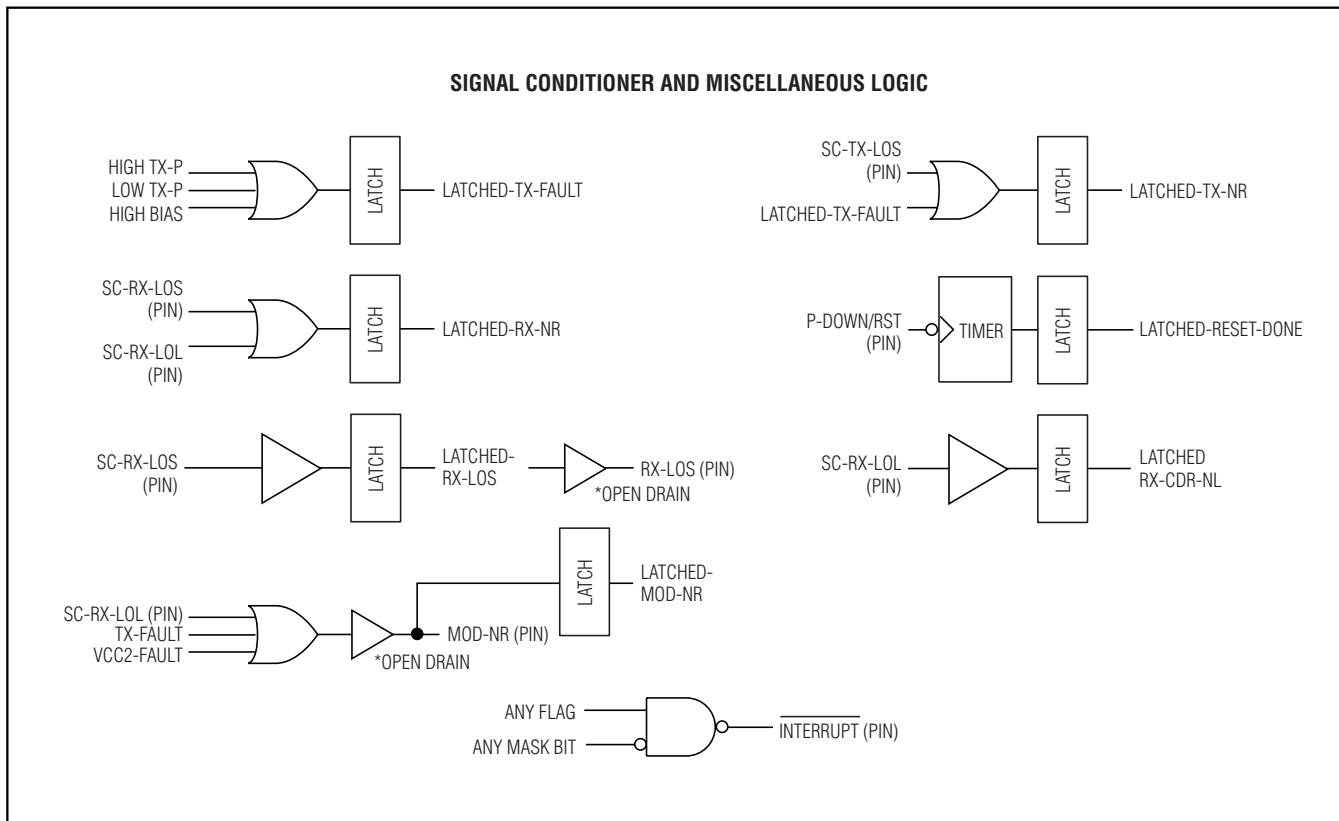


Figure 11. Signal Conditioner and Other Logic

# XFP Laser Control and Digital Diagnostic IC

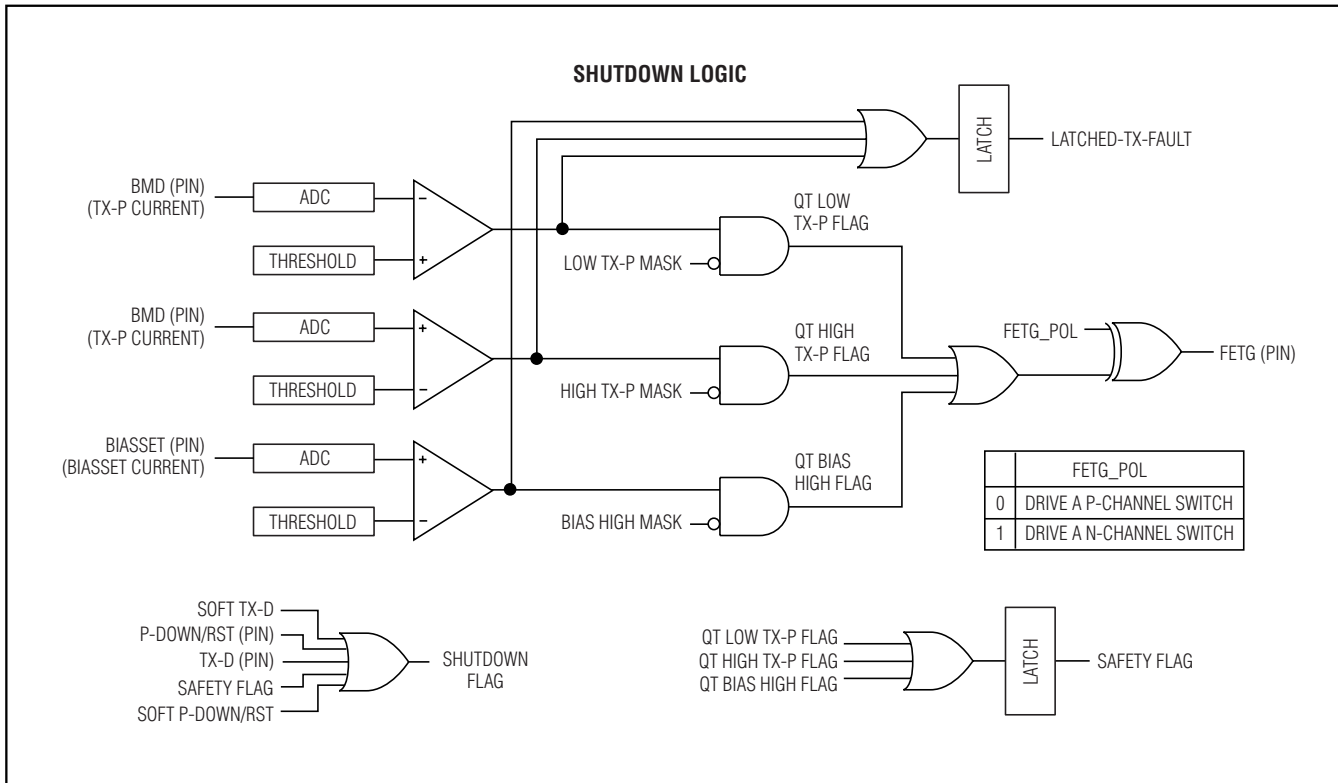


Figure 12. Safety Fault and Shutdown Logic

The polarity of the FETG pin can also be reversed by setting the FETG\_POL bit. Once a safety fault has occurred, the FETG pin and all of the attendant flags can only be reset by pulsing the P-DOWN/RST pin high for the reset time, tRESET, or by toggling the P-DOWN/RST bit in Byte 6Eh, bit 4. See the *Power-Down/Reset Pin* section for more details.

### Power-Down/Reset Pin

The P-DOWN/RST pin is a multifunction input pin that resets and/or powers down the DS1862. Since the pin is internally pulled up, its normal state is released, which corresponds to power-down mode. If the P-DOWN/RST pin is released, or driven high, the DS1862 responds by shutting down the MODSET and BIASSET currents. Once the pin is pulled low, operation continues (if not inhibited by a safety fault). Besides powering down the DS1862, a high-going pulse with minimum reset time, tRESET, can be applied to the P-DOWN/RST pin. This is necessary to restart the DS1862, especially if it is in a safety shutdown condition and needs to be restarted

after the safety condition has been rectified. See the timing diagrams for proper pin timing.

### Power-Down Functionality

During power-down mode IBIASSET and IMODSET drop below 10µA, effectively shutting down the laser. FETG is not asserted and safety faults do not occur during this period. During power-down, I<sup>2</sup>C communication is still active, but the signal conditioner pins EN1 and EN2 are noncontrollable and automatically change to the states: EN1 = 1 and EN2 = 0. Other internal flags/signals that are based on the signal conditioner inputs still reflect the status on the signal conditioner pins during power-down. For example, RX-LOS still reflects the status of SC-RX-LOS, and MOD-NR still reflects the logical states for the signal conditioner pins. Similarly, it is possible for FETG to be asserted, even though the BIASSET and MODSET currents are shut down. However, during power-down and a short period, tPDR-OFF, during power-up, TX-P Low flag is ignored (internally automatically masked out) and does not contribute to FETG's logic.

## XFP Laser Control and Digital Diagnostic IC

During an asserted period of P-DOWN/RST (DS1862 in power-down), and  $V_{CC3}$  is cycled, the DS1862 remains in power-down mode upon power-up. While in power-down mode the INTERRUPT pin does not assert. Once  $V_{CC3}$  has returned, the reset done flag asserts after the interrupt assert delay,  $t_{INIT ON}$ .

### Reset Functionality

Besides powering down the DS1862, the P-DOWN/RST pin also functions to reset the DS1862. After a high-going pulse of time  $t_{RESET}$ , several events occur within the DS1862. First, MODSET and BIASSET currents shut down and are then reinstated. Second, between the rising edge of the reset pulse and the assertion of the reset-done flag ( $t_{INIT}$ ), the low TX-P flag is ignored and does not cause FETG to trip. After time  $t_{INIT}$ , the low TX-P flag becomes functional. Also, at this time, the reset-done flag is asserted, causing an interrupt to be generated. If there are no faults before  $t_{INIT}$ , then no interrupts are asserted on the INTERRUPT pin.

If  $V_{CC3}$  is powered up while P-DOWN/RST is high, then the reset-done flag must be cleared twice. The first time the reset-done flag is generated by  $V_{CC3}$  powering up, the second time reset-done is generated by a falling edge on P-DOWN/RST. If  $V_{CC3}$  is continuously powered while P-DOWN/RST is low then only one reset-done flag needs to be cleared. See the timing diagrams for graphical detail.

### DS1862 Memory Map

#### Memory Organization

The DS1862 features six separate memory tables that are internally organized into four byte rows. The Lower Memory is addressed from 00h to 7Fh and contains alarm and warning thresholds, flags, masks, several control registers, password entry area (PE), and the Table Select byte. Table 01h primarily contains user

EEPROM as well as several control bytes for various functions. Table 02h is strictly user EEPROM that is protected by a host password. Table 03h is strictly used for controlling the extinction ratio with an LUT. Table 04h is a multifunction space that contains internal calibration values for monitored channels, LUT index pointers, and miscellaneous control bytes. Table 05h is factory programmed and stores SCALE values for use with suggested external temperature sensors. Also, one byte in Table 05h controls the THRSET voltage source and is completely accessible without any password protection. See the *Memory* section for a more complete detail of each byte's function, as well as Table 11 for read/write permissions for each Byte. Many non-volatile memory locations (listed within the *Detailed Register Description* section) are actually SRAM-Shadowed EEPROM, which are controlled by the SEEB bit in Table 4, Byte B2h.

The DS1862 incorporates SRAM-shadowed EEPROM memory locations for key memory addresses that may be rewritten many times. By default the Shadowed EEPROM Bit, SEEB, is not set and these locations act as ordinary EEPROM. By setting SEEB, these locations begin to function like SRAM cells, which allow an infinite number of write cycles without concern of wearing out the EEPROM. This also eliminates the requirement for the EEPROM write time,  $t_{WR}$ . Because changes made with SEEB enabled do not affect the EEPROM, these changes are not retained through power cycles. The power-up value is the last value written with SEEB disabled. This function can be used to limit the number of EEPROM writes during calibration or to change the monitor thresholds periodically during normal operation helping to reduce the number of times EEPROM is written. The Memory Map description indicates which locations are shadowed-EEPROM.



# XFP Laser Control and Digital Diagnostic IC

DS1862

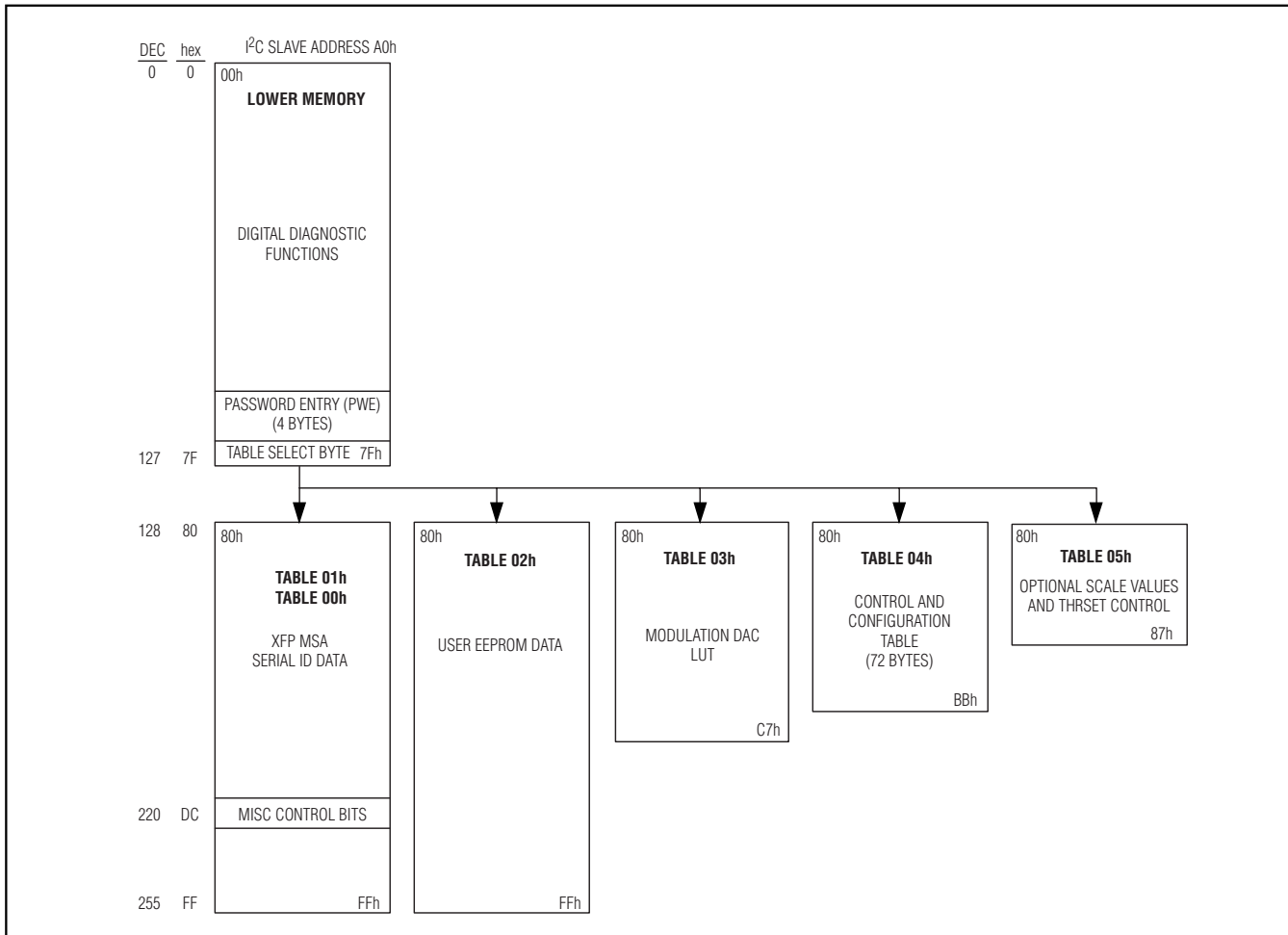


Figure 13. General View of DS1862 Memory Organization

## Register Map

Table 11. Permission Table

PERMISSION	READ	WRITE
<0>	At least one byte in this row is different than the rest of the bytes, so look at each byte separately for permissions.	
<1>	ALL	ALL
<2>	ALL	MODULE
<3>	ALL	HOST
<4>	MODULE	MODULE
<5>	ALL	FACTORY
<6>	NEVER	HOST
<7>	NEVER	MODULE

# XFP Laser Control and Digital Diagnostic IC

LOWER MEMORY (00H–7FH)																	
ADDRESS (hex)	WORD 0		WORD 1				WORD 2		WORD 3								
	BYTE 0/8	BYTE 1/9	BYTE 2/A	BYTE 3/B	BYTE 4/C	BYTE 5/D	BYTE 6/E	BYTE 7/F									
00<0,2>	EE	Signal Cond	Temp Alarm Hi				Temp Alarm Lo		Temp Warn Hi								
08<2>	Temp Warn Lo		VCC3 Alarm Hi*				VCC3 Alarm Lo*		VCC3 Warn Hi*								
10<2>	VCC3 Warn Lo*		Bias Alarm Hi				Bias Alarm Lo		Bias Warn Hi								
18<2>	Bias Warn Lo		TX-P Alarm Hi				TX-P Alarm Lo		TX-P Warn Hi								
20<2>	TX-P Warn Lo		RX-P Alarm Hi				RX-P Alarm Lo		RX-P Warn Hi								
28<2>	RX-P Warn Lo		Aux1 Alarm Hi				Aux1 Alarm Lo		Aux1 Warn Hi								
30<2>	Aux1 Warn Lo		Aux2 Alarm Hi				Aux2 Alarm Lo		Aux2 Warn Hi								
38<0,2>	Aux2 Warn Lo		EE	EE	Reserved	Reserved	Reserved	Reserved									
40<1>	Reserved	Reserved	Reserved	Reserved	Reserved	Reserved	SRAM	SRAM									
48<1>	SRAM	SRAM	SRAM	SRAM	SRAM	SRAM	SRAM	SRAM									
50<1>	Temp/Res/Bias/ TxP Alarm	RxP/Aux1/Aux2/ Res Alarm	Temp/Res/Bias/ TxP Warn	RxP/Aux1/Aux2/ Res Warn	Tx/Rx Misc Flags	Apd/Tec/ Wave/Res Flags	VCC5/3/2 Vee Alarm Flags	VCC5/3/2 Vee Warn Flags									
58<1>	Temp/Res/Bias/ TxP Mask	RxP/Aux1/Aux2/ Res Mask	Temp/Res/Bias/ TxP Mask	RxP/Aux1/Aux2/ Res Mask	Rx/Rx Misc Mask	Apd/Tec/Wave/ Res Mask	VCC5/3/2/Vee Alarm Mask	VCC5/3/2/Vee Warn Mask									
60<1>	Temp Value		VCC2/3 Value*				Bias Value		TX-P Value								
68<1>	RX-P Value		Aux1 Value				Aux2 Value		GCS1	GCS0							
70<0,1>	Reserved	Reserved	Reserved	Reserved	POA	Reserved	PEC_EN	Host PW									
78<0,1>	Host PW	Host PW	Host PW	PWE (MSB)			PWE (LSB)		Table Select								
EXPANDED BYTES																	
BYTE (hex)	BYTE/WORD NAME	Bit7		Bit6*		Bit5		Bit4		Bit3		Bit2		Bit1		Bit0**	
		bit15	bit14	bit13	bit12	bit11	bit10	bit9	bit8	bit7	bit6	bit5	bit4	bit3	bit2	bit1	bit0
01	Signal Cond<1>	EE	EE	EE	EE	EE	EE	EE	EN2 Value	EN1 Value	Lock-T1-221						
50	<1>	L-HI-TEMP-AL	L-LO-TEMP-AL	Reserved	Reserved	L-HI-BIAS-AL	L-LO-BIAS-AL	L-HI-TX-P-AL	L-LO-TX-P-AL								
51	<1>	L-HI-RX-P-AL	L-LO-RX-P-AL	L-HI-AUX1-AL	L-LO-AUX1-AL	L-HI-AUX2-AL	L-LO-AUX2-AL	Reserved	Reserved								
52	<1>	L-HI-TEMP-W	L-LO-TEMP-W	Reserved	Reserved	L-HI-BIAS-W	L-LO-BIAS-W	L-HI-TX-P-W	L-LO-TX-P-W								
53	<1>	L-HI-RX-P-W	L-LO-RX-P-W	L-HI-AUX1-W	L-LO-AUX1-W	L-HI-AUX2-W	L-LO-AUX2-W	Reserved	Reserved								
54	<1>	L-TX-NR	L-TX-F	L-TX-CDR-NL	L-RX-NR	L-RX-LOS	L-RX-CDR-NL	L-MOD-NR	L-RESET-DONE								
55	<1>	L-APD-SUP-F	L-TEC-F	L-WAVE-NL	Reserved	Reserved	Reserved	Reserved	Reserved								
56	<1>	L-HI-VCC5-AL	L-LO-VCC5-AL	L-HI-VCC3-AL	L-LO-VCC3-AL	L-HI-VCC2-AL	L-LO-VCC2-AL	L-HI-VEE5-AL	L-LO-VEE5-AL								

\*VCC2/3 are in reserved locations.

# XFP Laser Control and Digital Diagnostic IC

DS1862

EXPANDED BYTES (CONTINUED)																	
BYTE (hex)	BYTE/WORD NAME	Bit7		Bit6*		Bit5		Bit4		Bit3		Bit2		Bit1		Bit0**	
		bit15	bit14	bit13	bit12	bit11	bit10	bit9	bit8	bit7	bit6	bit5	bit4	bit3	bit2	bit1	bit0
57	<1>	L-HI-VCC5-W	L-LO-VCC5-W	L-HI-VCC3-W	L-LO-VCC3-W	L-HI-VCC2-W	L-LO-VCC2-W	L-HI-VEE5-W	L-LO-VEE5-W								
58	<1>	HI-TEMP-AL MASK	LO-TEMP-AL MASK	Reserved	Reserved	HI-BIAS-AL MASK	LO-BIAS-AL MASK	HI-TX-P-AL MASK	LO-TX-P-AL MASK								
59	<1>	HI-RX-P-AL MASK	LO-RX-P-AL MASK	HI-AUX1-AL MASK	LO-AUX1-AL MASK	HI-AUX2-AL MASK	LO-AUX2-AL MASK	Reserved	Reserved								
5A	<1>	HI-TEMP-W MASK	LO-TEMP-W MASK	Reserved	Reserved	HI-BIAS-W MASK	LO-BIAS-W MASK	HI-TX-P-W MASK	LO-TX-P-W MASK								
5B	<1>	HI-RX-P-W MASK	LO-RX-P-W MASK	HI-AUX1-W MASK	LO-AUX1-W MASK	HI-AUX2-W MASK	LO-AUX2-W MASK	Reserved	Reserved								
5C	<1>	TX-NR MASK	TX-F MASK	TX-CDR-NL MASK	RX-NR MASK	RX-LOL MASK	RX-CDR-NL MASK	MOD-NR MASK	RESET- DONE MASK								
5D	<1>	APD-SUP-F MASK	TEC-F MASK	WAVE-NL MASK	Reserved	Reserved	Reserved	Reserved	Reserved								
5E	<1>	HI-VCC5-AL MASK	LO-VCC5-AL MASK	HI-VCC3-AL MASK	LO-VCC3-AL MASK	HI-VCC2-AL MASK	LO-VCC2-AL MASK	HI-VEE5-AL MASK	LO-VEE5-AL MASK								
5F	<1>	HI-VCC5-W MASK	LO-VCC5-W MASK	HI-VCC3-W MASK	LO-VCC3-W MASK	HI-VCC2-W MASK	LO-VCC2-W MASK	HI-VEE5-W MASK	LO-VEE5-W MASK								
6E	<1>	TX-D	SOFT TX-D	MOD-NR	P-DOWN/RST	SOFT P-DOWN	INTERRUPT	RX-LOS	DATA-NR								
6F	<1>	TX-NR	TX-F	TX-CDR-NL	RX-NR	RX-CDR-NL	Reserved	Reserved	Reserved								
74	POA <1>	POA	Reserved	Reserved	Reserved	Reserved	Reserved	Reserved	Reserved								
77	Host PW<6>	2 <sup>31</sup>	2 <sup>30</sup>	2 <sup>29</sup>	2 <sup>28</sup>	2 <sup>27</sup>	2 <sup>26</sup>	2 <sup>25</sup>	2 <sup>24</sup>								
78	Host PW<6>	2 <sup>23</sup>	2 <sup>22</sup>	2 <sup>21</sup>	2 <sup>20</sup>	2 <sup>19</sup>	2 <sup>18</sup>	2 <sup>17</sup>	2 <sup>16</sup>								
79	Host PW<6>	2 <sup>15</sup>	2 <sup>14</sup>	2 <sup>13</sup>	2 <sup>12</sup>	2 <sup>11</sup>	2 <sup>10</sup>	2 <sup>9</sup>	2 <sup>8</sup>								
7A	Host PW<6>	2 <sup>7</sup>	2 <sup>6</sup>	2 <sup>5</sup>	2 <sup>4</sup>	2 <sup>3</sup>	2 <sup>2</sup>	2 <sup>1</sup>	2 <sup>0</sup>								
7B	PWE<6>	2 <sup>31</sup>	2 <sup>30</sup>	2 <sup>29</sup>	2 <sup>28</sup>	2 <sup>27</sup>	2 <sup>26</sup>	2 <sup>25</sup>	2 <sup>24</sup>								
7C	PWE<6>	2 <sup>23</sup>	2 <sup>22</sup>	2 <sup>21</sup>	2 <sup>20</sup>	2 <sup>19</sup>	2 <sup>18</sup>	2 <sup>17</sup>	2 <sup>16</sup>								
7D	PWE<6>	2 <sup>15</sup>	2 <sup>14</sup>	2 <sup>13</sup>	2 <sup>12</sup>	2 <sup>11</sup>	2 <sup>10</sup>	2 <sup>9</sup>	2 <sup>8</sup>								
7E	PWE<6>	2 <sup>7</sup>	2 <sup>6</sup>	2 <sup>5</sup>	2 <sup>4</sup>	2 <sup>3</sup>	2 <sup>2</sup>	2 <sup>1</sup>	2 <sup>0</sup>								
7F	Table Select<1>	2 <sup>7</sup>	2 <sup>6</sup>	2 <sup>5</sup>	2 <sup>4</sup>	2 <sup>3</sup>	2 <sup>2</sup>	2 <sup>1</sup>	2 <sup>0</sup>								

\*Bit 6 and Bit 3 of Byte 6Eh are masked by Bit 6 and Bit 5 of Byte DDh in Table 01h, respectively.

\*\*Bit 0 of Address 01h can be written only if Bit 0 of Byte DDh in Table 01h is set.

# XFP Laser Control and Digital Diagnostic IC

TABLE 01H (SERIAL ID MEMORY)								
ADDRESS (hex)	WORD 0		WORD 1		WORD 2		WORD 3	
	Byte 0/8	Byte 1/9	Byte 2/A	Byte 3/B	Byte 4/C	Byte 5/D	Byte 6/E	Byte 7/F
80<2>	EE	EE	EE	EE	EE	EE	EE	EE
88<2>	EE	EE	EE	EE	EE	EE	EE	EE
90<2>	EE	EE	EE	EE	EE	EE	EE	EE
98<2>	EE	EE	EE	EE	EE	EE	EE	EE
A0<2>	EE	EE	EE	EE	EE	EE	EE	EE
A8<2>	EE	EE	EE	EE	EE	EE	EE	EE
B0<2>	EE	EE	EE	EE	EE	EE	EE	EE
B8<2>	EE	EE	EE	EE	EE	EE	EE	EE
C0<2>	EE	EE	EE	EE	EE	EE	EE	EE
C8<2>	EE	EE	EE	EE	EE	EE	EE	EE
D0<2>	EE	EE	EE	EE	EE	EE	EE	EE
D8<2>	EE	EE	EE	EE	V <sub>CC2/3_Sel</sub>	LO Mem 6Eh enable	AUX1/2 Unit Select	EE
E0<2>	EE	EE	EE	EE	EE	EE	EE	EE
E8<2>	EE	EE	EE	EE	EE	EE	EE	EE
F0<2>	EE	EE	EE	EE	EE	EE	EE	EE
F8<2>	EE	EE	EE	EE	EE	EE	EE	EE

EXPANDED BYTES																	
BYTE (hex)	BYTE/WORD NAME	Bit7		Bit6		Bit5		Bit4		Bit3		Bit2		Bit1		Bit0	
		bit15	bit14	bit13	bit12	bit11	bit10	bit9	bit8	bit7	bit6	bit5	bit4	bit3	bit2	bit1	bit0
	EE	EE	EE	EE	EE	EE	EE	EE	EE	EE	EE	EE	EE	EE	EE	EE	EE
DC<2>		Reserved		Reserved		Reserved		Reserved		Reserved		Reserved		Reserved		V <sub>CC2/3_Sel</sub>	
DD<2>	LO Mem EN	Reserved		Enable 6Eh, bit 6		Enable 6Eh, bit 3		Reserved		Reserved		Reserved		Reserved		LOCK-bit	
DE<2>	AUX1/2 UNIT SEL	AUX1-SEL 2 <sup>3</sup>		AUX1-SEL 2 <sup>2</sup>		AUX1-SEL 2 <sup>1</sup>		AUX1-SEL 2 <sup>0</sup>		AUX2-SEL 2 <sup>3</sup>		AUX2-SEL 2 <sup>2</sup>		AUX2-SEL 2 <sup>1</sup>		AUX2-SEL 2 <sup>0</sup>	

**Note:** Byte DDh <6:5> of Table 01h enables bit 6 and bit 3 of Byte 6Eh in the lower memory.

TABLE 02H (HOST USER MEMORY)								
ADDRESS (hex)	WORD 0		WORD 1		WORD 2		WORD 3	
	Byte 0/8	Byte 1/9	Byte 2/A	Byte 3/B	Byte 4/C	Byte 5/D	Byte 6/E	Byte 7/F
80–FF<3>	EE	EE	EE	EE	EE	EE	EE	EE

TABLE 03H (MODSET LOOK-UP TABLE)								
ADDRESS (hex)	WORD 0		WORD 1		WORD 2		WORD 3	
	Byte 0/8	Byte 1/9	Byte 2/A	Byte 3/B	Byte 4/C	Byte 5/D	Byte 6/E	Byte 7/F
80–87<4>	EE, < -40°C	EE, -40°C	EE, -38°C	EE, -36°C	EE, -34°C	EE, -32°C	EE, -30°C	EE, -28°C
88–BF<4>	—	—	—	—	—	—	—	—
C0–C7<4>	EE, +88°C	EE, +90°C	EE, +92°C	EE, +94°C	EE, +96°C	EE, +98°C	EE, +100°C	EE, > +102°C

# XFP Laser Control and Digital Diagnostic IC

DS1862

**TABLE 04H (CONTROL AND CONFIG) (80H–BBH)**

ADDRESS (hex)	WORD 0		WORD 1		WORD 2		WORD 3										
	Byte 0/8	Byte 1/9	Byte 2/A	Byte 3/B	Byte 4/C	Byte 5/D	Byte 6/E	Byte 7/F									
80<4>	<i>Reserved</i>	Bias shift, TX-P shift	RX-P shift AUX1 shift	AUX2 shift Reserved	APC course setting	APC fine setting	LUT current range	Control Register 1									
88<4>	Quick trip TX-P high	Quick trip TX-P low	QT high bias setting	Control Register 2	<i>Reserved</i>	<i>Reserved</i>	<i>Reserved</i>	<i>Reserved</i>									
90<4>	<i>Reserved</i>	<i>Reserved</i>	Scale MSB V <sub>CC3</sub>	Scale LSB V <sub>CC3</sub>	Scale MSB BIAS	Scale LSB BIAS	Scale MSB TX-P	Scale LSB TX-P									
98<4>	Scale MSB RX-P	Scale LSB RX-P	Scale MSB AUX1	Scale LSB AUX1	Scale MSB AUX2	Scale LSB AUX2	<i>Reserved</i>	<i>Reserved</i>									
A0<4>	Offset MSB temp	Offset LSB temp	Offset MSB V <sub>CC3</sub>	Offset LSB V <sub>CC3</sub>	Offset MSB Bias	Offset LSB BIAS	Offset MSB TX-P	Offset LSB TX-P									
A8<4>	Offset MSB RX-P	Offset LSB RX-P	Offset MSB AUX1	Offset LSB AUX1	Offset MSB AUX2	Offset LSB AUX2	<i>Reserved</i>	<i>Reserved</i>									
B0<4>	LUT INDEX pointer	LUT value	LUT_conf	<i>Reserved</i>	DAC status	<i>Reserved</i>	<i>Reserved</i>	<i>Reserved</i>									
B8<4>	Module PWD setting	Module PWD setting	Module PWD setting	Module PWD setting													
EXPANDED BYTES																	
BYTE (hex)	BYTE WORD NAME	Bit7		Bit6		Bit5		Bit4		Bit3		Bit2		Bit1		Bit0	
		bit <sub>15</sub>	bit <sub>14</sub>	bit <sub>13</sub>	bit <sub>12</sub>	bit <sub>11</sub>	bit <sub>10</sub>	bit <sub>9</sub>	bit <sub>8</sub>	bit <sub>7</sub>	bit <sub>6</sub>	bit <sub>5</sub>	bit <sub>4</sub>	bit <sub>3</sub>	bit <sub>2</sub>	bit <sub>1</sub>	bit <sub>0</sub>
81	<4>	Bias shift 2 <sup>3</sup>		Bias shift 2 <sup>2</sup>		Bias shift 2 <sup>1</sup>		Bias shift 2 <sup>0</sup>		TX-P shift 2 <sup>3</sup>		TX-P shift 2 <sup>2</sup>		TX-P shift 2 <sup>1</sup>		TX-P shift 2 <sup>0</sup>	
82	<4>	RX-P shift 2 <sup>3</sup>		Rx-P shift 2 <sup>2</sup>		Rx-P shift 2 <sup>1</sup>		Rx-P shift 2 <sup>0</sup>		AUX1 shift 2 <sup>3</sup>		AUX1 shift 2 <sup>2</sup>		AUX1 shift 2 <sup>1</sup>		AUX1 shift 2 <sup>0</sup>	
83	<4>	AUX2 shift 2 <sup>3</sup>		AUX2 shift 2 <sup>2</sup>		AUX2 shift 2 <sup>1</sup>		AUX2 shift 2 <sup>0</sup>		<i>Reserved</i>		<i>Reserved</i>		<i>Reserved</i>		<i>Reserved</i>	
84	<4>	APC 2 <sup>9</sup>		APC 2 <sup>8</sup>		APC 2 <sup>7</sup>		APC 2 <sup>6</sup>		APC 2 <sup>5</sup>		APC 2 <sup>4</sup>		APC 2 <sup>3</sup>		APC 2 <sup>2</sup>	
85	<4>	<i>Reserved</i>		<i>Reserved</i>		<i>Reserved</i>		<i>Reserved</i>		<i>Reserved</i>		<i>Reserved</i>		APC 2 <sup>1</sup>		APC 2 <sup>0</sup>	
86	<4>	<i>Reserved</i>		<i>Reserved</i>		<i>Reserved</i>		<i>Reserved</i>		<i>Reserved</i>		LUT range 2 <sup>2</sup>		LUT range 2 <sup>1</sup>		LUT range 2 <sup>0</sup>	
87	<4>	FET_POL		QT TX-P HI mask		QT BIAS HI mask		QT TX-P LO mask		<i>Reserved</i>		<i>Reserved</i>		scr_sink_b		<i>Reserved</i>	
8B	<4>	<i>Reserved</i>		<i>Reserved</i>		<i>Reserved- enable</i>		TEMP_int-ext		<i>Reserved</i>		EN Value 2 <sup>1</sup>		EN Value 2 <sup>0</sup>		EN1/2 MUX	
B2	LUT_C ONF <4>	<i>Reserved</i>		<i>Reserved</i>		<i>Reserved</i>		<i>Reserved</i>		<i>Reserved</i>		SEEB		TEN		AEN	
B4	<4>	Safety flag		Shutdown		<i>Reserved</i>		QT TX-P LO FLAG		QT TX-P HI FLAG		QT BIAS HI FLAG		<i>Reserved</i>		<i>Reserved</i>	
B8	Module PW<7>	2 <sup>31</sup>		2 <sup>30</sup>		2 <sup>29</sup>		2 <sup>28</sup>		2 <sup>27</sup>		2 <sup>26</sup>		2 <sup>25</sup>		2 <sup>24</sup>	
B9	Module PW<7>	2 <sup>23</sup>		2 <sup>22</sup>		2 <sup>21</sup>		2 <sup>20</sup>		2 <sup>19</sup>		2 <sup>18</sup>		2 <sup>17</sup>		2 <sup>16</sup>	
BA	Module PW<7>	2 <sup>15</sup>		2 <sup>14</sup>		2 <sup>13</sup>		2 <sup>12</sup>		2 <sup>11</sup>		2 <sup>10</sup>		2 <sup>9</sup>		2 <sup>8</sup>	
BB	Module PW<7>	2 <sup>7</sup>		2 <sup>6</sup>		2 <sup>5</sup>		2 <sup>4</sup>		2 <sup>3</sup>		2 <sup>2</sup>		2 <sup>1</sup>		2 <sup>0</sup>	

# XFP Laser Control and Digital Diagnostic IC

TABLE 05H (OPTIONAL OFFSETS AND THRSET)																	
ADDRESS (hex)	WORD 0		WORD 1				WORD 2				WORD 3						
	Byte 0/8	Byte 1/9	Byte 2/A	Byte 3/B	Byte 4/C	Byte 5/D	Byte 6/E	Byte 7/F									
80–87	DS60 SCALE		LM50 SCALE				Reserved		Reserved		Reserved		V <sub>TH</sub> DAC Value <1>				
EXPANDED BYTES																	
BYTE (hex)	BYTE/WORD NAME	Bit7		Bit6		Bit5		Bit4		Bit3		Bit2		Bit1		Bit0	
		bit <sub>15</sub>	bit <sub>14</sub>	bit <sub>13</sub>	bit <sub>12</sub>	bit <sub>11</sub>	bit <sub>10</sub>	bit <sub>9</sub>	bit <sub>8</sub>	bit <sub>7</sub>	bit <sub>6</sub>	bit <sub>5</sub>	bit <sub>4</sub>	bit <sub>3</sub>	bit <sub>2</sub>	bit <sub>1</sub>	bit <sub>0</sub>
80	DS60 SCALE <5>	2 <sup>15</sup>	2 <sup>14</sup>	2 <sup>13</sup>	2 <sup>12</sup>	2 <sup>11</sup>	2 <sup>10</sup>	2 <sup>9</sup>	2 <sup>8</sup>	2 <sup>7</sup>	2 <sup>6</sup>	2 <sup>5</sup>	2 <sup>4</sup>	2 <sup>3</sup>	2 <sup>2</sup>	2 <sup>1</sup>	2 <sup>0</sup>
82	LM50 SCALE <5>	2 <sup>15</sup>	2 <sup>14</sup>	2 <sup>13</sup>	2 <sup>12</sup>	2 <sup>11</sup>	2 <sup>10</sup>	2 <sup>9</sup>	2 <sup>8</sup>	2 <sup>7</sup>	2 <sup>6</sup>	2 <sup>5</sup>	2 <sup>4</sup>	2 <sup>3</sup>	2 <sup>2</sup>	2 <sup>1</sup>	2 <sup>0</sup>
87	V <sub>THRSET</sub> _Value	2 <sup>7</sup>		2 <sup>6</sup>		2 <sup>5</sup>		2 <sup>4</sup>		2 <sup>3</sup>		2 <sup>2</sup>		2 <sup>1</sup>		2 <sup>0</sup>	

## Detailed Register Description

### Conventions

Name of Row

- Name of Byte .....<Read/Write><Volatile><Power-On Value>
- Name of Byte .....<Read/Write><Nonvolatile><Factory-Default Setting>
- Name of Byte .....<Read/Write><Shadowed Nonvolatile><Factory-Default Setting>
- Name of Byte .....<Read/Write><Status><Power-On Value>

### Lower Memory

00h

- User EE .....< R-all / W-all ><Shadowed Nonvolatile><00>

01h

- SRAM .....< R-all / W-all ><Volatile><00> Bit 0 can only be written if Table 01h, Byte DDh, bits <0> is high. Bits <2:1> control EN2 and EN1, respectively.

02h → 39h

- Alarms and warnings .....< R-all / W-Module ><Shadowed Nonvolatile ><Note\*> These registers set the 16-bit threshold level for corresponding monitor channels. \*Note: High alarm and warnings factory default to FFFFh, and low alarm shut warnings default to 0000h.

3Ah, 3Bh

- User EE .....< R-all / W-all ><Shadowed Nonvolatile><00>

46h → 4Fh

- User SRAM .....< R-all / W-all ><Volatile><00>

50h → 57h

- Latched Flags .....< R-all /clear-all ><Volatile><00> These are latched flags for corresponding signals. Any flag is cleared by simply reading it.

58h → 5Fh

- masks .....< R-all / W-all >< Nonvolatile><00> These mask bits internally block the signals that drive the INTERRUPT pin. A low setting causes the corresponding monitor channel to drive the INTERRUPT pin.

60h → 6Dh

Monitor values .....< R-all / W-all ><Volatile><xxxx> These registers are internally updated with the monitor channel's digital result. They can be read as left-justified 16-bit values.

6Eh

GCS1 .....< R-all / W-all ><Volatile><xx> These are nonlatched flags, indicating the real-time digital state of a corresponding signal as well as control bits for particular functions.

# XFP Laser Control and Digital Diagnostic IC

Bit 0: DATA\_NOT\_READY. Bit is high until DS1862 has achieved power-up. Bit goes low, signaling that monitor channel data is ready to be read.

Bit 1: RX-LOS. Indicates optical loss of the signal and is updated within  $t_{LOS-ON}$ .

Bit 2: Interrupt. Indicates the state of the  $\overline{INTERRUPT}$  pin and is updated within  $t_{INIT ON}$ .

Bit 3: Soft P-DOWN/RST. R/W bit that places the DS1862 in power-down mode. Toggle to reset.

Bit 4: P-DOWN/RST. Indicates the digital state of the P-DOWN/RST pin and is updated within  $t_{PDR-ON}$ .

Bit 5: MOD\_NR State. Indicates the state of MOD\_NR pin and is updated within  $t_{PDR-ON}$ .

Bit 6: Soft TX-D. R/W bit that disables (shuts down) IBIASSET and LMODSET.

Bit 7: TX-D. Indicates the digital state of the TX-D pin and is updated within  $t_{OFF}$ .

6Fh

- 6Fh GCS0 ..... < R-all / W-all ><Status><XX> These are nonlatched flags, indicating the real-time digital state of a corresponding signal.

Bit 0: Reserved.

Bit 1: Reserved.

Bit 2: Reserved.

Bit 3: RX\_CDR not locked. Indicates LOL in Rx path CDR.

Bit 4: RX\_NR state. Indicates a NOT READY condition in the Rx path.

Bit 5: Reserved.

Bit 6: TX-FAULT State. Indicates a laser safety fault condition.

Bit 7: TX-NR State. Indicates a NOT READY condition on the Tx path.

74h

- POA..... < R-all / W-all ><Volatile><00> A high on bit 7 indicates that VCC3 is below the Power-on analog trip point, POA.

76h

- PEC Enable..... < R-all / W-all ><Volatile><00> Bit 0 is used to enable PEC. A value of 1 enables PEC.

77h → 7Ah

- Host PW Change ..... < R-never / W-Host ><Shadowed Nonvolatile P><00> This is the 32-bit location that the DS1862 uses to compare with the PWE to grant host password access.

7Bh → 7Eh

- PWE ..... < R-never / W-all ><Volatile><00> This is the 32-bit location that is used to enter the host and module password to gain access to the DS1862.

7Fh

- Table Select ..... < R-all / W-all ><Volatile><01> This is the 8-bit register that controls which section of upper memory (table) is being addressed by I<sup>2</sup>C. A value of 00h and 01h results in addressing Table 01h. Values above 05h are accepted, but do not correspond to any physical memory.

## Table 01h

80h → DBh

- User EE ..... < R-all / W-Module ><Nonvolatile><00>

DCh

- VCC2/3\_Sel ..... < R-all / W-Module ><Shadowed Nonvolatile><00> Bit 0 of this register controls whether VCC2 or VCC3 is internally measured by the VCC2/3 monitor channel. A '1' selects VCC2 to be measured.

# XFP Laser Control and Digital Diagnostic IC

DDh

- *6Eh Enable* ..... < R-all / W-Module ><Shadowed Nonvolatile><00> If bit 5 is high, then bit 3 of 6Eh is not masked. If bit 6 is high, then bit 6 of 6Eh is not masked. Bit 0 is the Lock\_Bit. If set, Lower Memory address 01h, bit 0 is writable.

DEh

- *AUX1/2 Unit Sel* ..... < R-all / W-Module ><Shadowed Nonvolatile><00> These two 4-bit values define what is being measured on AUX1MON and AUX2MON. MSB is AUX1MON unit select and LSB is AUX2MON unit select. See Table 5 for more detail.

DFh

- *User EE* ..... < R-all / W-Module ><Shadowed Nonvolatile><00>

E0h → FFh

- *User EE* ..... < R-all / W-Module ><Nonvolatile><00>

## Table 02h

80h → FFh

- *User EE* ..... < R-all / W-Host ><Nonvolatile><00>

## Table 03h

80h → C7h

- *LUT* ..... < R-Module / W-Module ><Nonvolatile><00> These registers control the output current on MODSET as a function of temperature.

## Table 04h

80h → B8h

81h

- *Bias shift* ..... < R-Module / W-Module ><Shadowed Nonvolatile><0> This 4-bit value in <7:4> defines how many right-shifts IBIASMON monitor channel receives. The MSB is bit 7.
- *TX-P shift* ..... < R-Module / W-Module ><Shadowed Nonvolatile><0> This 4-bit value in <3:0> defines how many right-shifts TX-P (BMD) monitor channel receives. The MSB is bit 3.

82h

- *AUX1 shift* ..... < R-Module / W-Module ><Shadowed Nonvolatile><0> This 4-bit value in <7:4> defines how many right-shifts AUX1MON monitor channel receives. The MSB is bit 7.
- *RX-P shift* ..... < R-Module / W-Module ><Shadowed Nonvolatile><0> This 4-bit value in <3:0> defines how many right-shifts RX-P (RSSI) monitor channel receives. The MSB is bit 3.

83h

- *AUX2 shift* ..... < R-Module / W-Module ><Shadowed Nonvolatile><0> This 4-bit value in <7:4> defines how many right-shifts AUX2MON monitor channel receives. The MSB is bit 3.

84h

- *APC REF COARSE* ..... < R-Module / W-Module ><Shadowed Nonvolatile><00> This 8-bit value sets the coarse APC current on BMD.



# XFP Laser Control and Digital Diagnostic IC

85h

- *APC REF FINE* ..... < R-Module / W-Module ><Shadowed Nonvolatile><00> This 2-bit value in <1:0> sets the fine APC current on BMD. The MSB is bit 6.

86h

- *LUT Range*..... < R-Module / W-Module ><Shadowed Nonvolatile><00> This 3-bit register in <2:0> sets the current range on MODSET. The MSB is bit 2.

87h

- *Control Reg1*..... < R-Module / W-Module ><Shadowed Nonvolatile><00>

Bit 0: Reserved.

Bit 1: SRC\_SNK\_B. If set, then BMD sources current, otherwise BMD sinks current.

Bit 2: Reserved.

Bit 3: Reserved.

Bit 4: QT TX-P Low mask. If set, then TX-P low does not have the ability to cause a safety fault.

Bit 5: QT HIGH BIAS mask. If set, then HIGH BIAS does not have the ability to cause a safety fault.

Bit 6: QT TX-P High mask. If set, then TX-P high does not have the ability to cause a safety fault.

Bit 7: FETG\_POL. If set, then FETG asserts with a high logic level, otherwise it asserts with a low logic level.

88h

- *QT TX-P HI*..... < R-Module / W-Module ><Shadowed Nonvolatile><FF> This is the TX-P quick-trip threshold setting that is used as a comparison to generate a TX-P High safety fault.

89h

- *QT TX-P LO*..... < R-Module / W-Module ><Shadowed Nonvolatile><00> This is the TX-P quick-trip threshold setting that is used as a comparison to generate a TX-P Low safety fault.

8Ah

- *QT HIGH BIAS* ..... < R-Module / W-Module ><Shadowed Nonvolatile><FF> This is the TX-P quick-trip threshold setting that is used as a comparison to generate a BIAS High safety fault.

8Bh

- *Control Reg2*..... < R-Module / W-Module ><Shadowed Nonvolatile><00>.

Bit 0: Reserved.

Bit 1: Reserved.

Bit 2: Reserved.

Bit 3: Reserved.

Bit 4: TEMP\_INT-EXT. If set, then the LUT index pointer is controlled by AUX2MON. Otherwise the internal temperature sensor controls the LUT.

Bit 5: Reserve\_EN. If set, then VCC2/3 is actively updated in the monitor loop.

Bit 6: Reserved.

Bit 7: Reserved.

## XFP Laser Control and Digital Diagnostic IC

92h	$V_{CC2/3}$ SCALE .....	< R-Module / W-Module ><Shadowed Nonvolatile><Factory Trimmed>	This 16-bit register controls the scale value for the $V_{CC2/3}$ monitor channel.
94h	• BIAS SCALE.....	< R-Module / W-Module ><Shadowed Nonvolatile><Factory Trimmed>	This 16-bit register controls the scale value for the BIAS monitor channel.
96h	• TX-P SCALE.....	< R-Module / W-Module ><Shadowed Nonvolatile><Factory Trimmed>	This 16-bit register controls the scale value for the TX-P (BMD) monitor channel.
98h	• RX-P SCALE.....	< R-Module / W-Module ><Shadowed Nonvolatile><Factory Trimmed>	This 16-bit register controls the scale value for the RX-P (RSSI) monitor channel.
9Ah	• AUX1 SCALE .....	< R-Module / W-Module ><Shadowed Nonvolatile><Factory Trimmed>	This 16-bit register controls the scale value for the AUX1MON monitor channel.
9Ch	• AUX2 SCALE .....	< R-Module / W-Module ><Shadowed Nonvolatile><Factory Trimmed>	This 16-bit register controls the scale value for the AUX2MON monitor channel.
A0h	• TEMP OFFSET .....	< R-Module / W-Module ><Shadowed Nonvolatile><Factory Trimmed>	This 16-bit register controls the offset value for the internal temperature monitor channel.
A2h	• $V_{CC2/3}$ OFFSET.....	< R-Module / W-Module ><Shadowed Nonvolatile><0000>	This 16-bit register controls the offset value for the $V_{CC2/3}$ monitor channel.
A4h	• BIAS OFFSET.....	< R-Module / W-Module ><Shadowed Nonvolatile><0000>	This 16-bit register controls the offset value for the BIAS monitor channel.
A6h	• TX-P OFFSET.....	< R-Module / W-Module ><Shadowed Nonvolatile><0000>	This 16-bit register controls the offset value for the TX-P (BMD) monitor channel.
A8h	• RX-P OFFSET.....	< R-Module / W-Module ><Shadowed Nonvolatile><0000>	This 16-bit register controls the offset value for the RX_P (RSSI) monitor channel.
AAh	• AUX1 OFFSET.....	< R-Module / W-Module ><Shadowed Nonvolatile><0000>	This 16-bit register controls the offset value for the AUX1MON monitor channel.
ACh	• AUX2 OFFSET.....	< R-Module / W-Module ><Shadowed Nonvolatile><0000>	This 16-bit register controls the offset value for the AUX2MON monitor channel.
B0h	• LUT INDEX PNTR.....	< R-Module / W-Module ><Volatile><xx>	This register controls the index pointer value for the LUT. It is automatically updated (in normal operating mode) and can be read or overwritten using the TEN and AEN bits.

# XFP Laser Control and Digital Diagnostic IC

B1h

- *LUT VALUE*..... < R-Module / W-Module ><Shadowed Nonvolatile><00> This register contains the fetched LUT value that drives the MODSET current. It can be read or overwritten to directly control the MODSET current (manual mode).

B2h

- *LUT\_CONF*..... < R-Module / W-Module ><Shadowed Nonvolatile><03>

Bit 0: AEN. A high on AEN enables data placed in the LUT Value register to drive MODSET.

Bit 1: TEN. A high on TEN enables the LUT index pointer to fetch data from the LUT.

Bit 2: SEEB. A high on SEEB disables EEPROM writes of Shadowed EEPROM locations.

Bit 3: Reserved.

Bit 4: Reserved.

Bit 5: Reserved.

Bit 6: Reserved.

Bit 7: Reserved.

B4h

- *DAC STATUS*..... < R-Module / W-Module ><Status><xx0xxx00b>

Bit 0: Reserved.

Bit 1: Reserved.

Bit 2: QT HIGH BIAS flag. This flag indicates that the current entering BIASSET is above the threshold.

Bit 3: QT TX-P High flag. This flag indicates that TX-P is above the threshold.

Bit 4: QT TX-P Low flag. This flag indicates that TX-P is below the threshold.

Bit 5: Reserved.

Bit 6: Shutdown flag. A high indicates that the DS1862 is in shutdown mode and that FETG is asserted.

Bit 7: Safety flag. A high indicates that a safety fault (quick trip) has occurred.

## Table 5

B8h

- *MOD\_PW\_CHNG*..... < R-Module / W-Module ><Shadowed Nonvolatile><FFFFFFFFh> This is the 32-bit location that the DS1862 uses to compare with the PWE to grant Module password access.

80h

- *DS60 SCALE*..... < R-all/W-Factory ><Nonvolatile><Factory Trimmed> This unique 16-bit value sets the SCALE register for use with a DS60 temperature sensor on AUX2MON.

82h

- *LM50 SCALE*..... < R-all/W-Factory ><Nonvolatile><Factory Trimmed> This unique 16-bit value sets the SCALE register for use with a LM50 temperature sensor on AUX2MON.

87h

- *VTHRSET\_Value*..... < R-all / W-all ><Shadowed Nonvolatile><80> This 8-bit value sets the voltage on the signal conditioner voltage source, THRSET.

# XFP Laser Control and Digital Diagnostic IC

## Security/Password Protection

The DS1862 features two separate and independent 32-bit passwords for important memory locations. The host password and the module password allow their own allocated memory locations to be locked to prevent write and/or read access. To enhance the security of the DS1862, the Password Entry and Setting bytes can never be read.

To gain access to host-protected or module-protected memory locations, the correct 32-bit value must be entered in to the password entry bytes (PWE) in either a single four-byte write, or four single-byte writes. To reprogram either password, simply enter the appropriate current password to gain memory access, write the new Host or Module PW with one four-byte write, and finally reenter the new password into the PWE to regain memory access.

## Power-Up Sequence

The DS1862 does require a particular power-up sequence to ensure proper functionality. VCC3 should always be applied first or at the same time as VCC2. If this power-up sequence is not followed, then current can be sourced out of VCC2 as if it was connected to VCC3 with a resistor internal to the DS1862. If VCC2 is not used then it should be externally connected to VCC3.

## Signal Conditioners—EN1 and EN2 and VTHRES

### Signal Conditioners—EN1 and EN2

The EN1 and EN2 output pins are controlled by the bits at address 01h, bits 2 and 1. The logic state of the pins is directly analogous to the logical state of the register. EN1 and EN2 automatically change to a high and low state, respectively, during power-down mode as described in the *Power-Down Functionality* section.

### Signal Conditioners—VTHRES

A programmable voltage source, THRSET is also provided for use with signal conditioners. This source is programmable from 0 to 1V in 256 increments.

## I<sup>2</sup>C and Packet Error Checking (PEC) Information

The DS1862 supports I<sup>2</sup>C data transfers as well as data transfers with PEC. The slave address is unalterable and is set to A0h. The DS1862, however, does have an additional dedicated pin, MOD-DESEL, which acts as an active-low chip select to enable communication. See the *I<sup>2</sup>C Serial Interface* and the *I<sup>2</sup>C Operation Using Packet Error Checking* sections for details.

## Precision SCALE Register Settings for AUX2MON

The DS1862 features a factory-trimmed SCALE value for use with DS60 or LM50 temperature sensors. If external temperature measurement on AUX2MON is used with one of these two sensors, the 16-bit SCALE value can be read from Table 05h and written into the SCALE register in Table 04h, Byte 9Ch and 9Dh. This option allows for the most precise setting for SCALE without requiring additional trimming. Since the SCALE register value is precisely trimmed at the factory, the OFFSET register will always be a non-unique value and can simply be written into are OFFSET register. For the DS60, the value of EF0Ah in OFFSET completes the internal calibration. For the LM50, the value of F380h in OFFSET completes the internal calibration.

## I<sup>2</sup>C Serial Interface

### I<sup>2</sup>C Definitions

The following terminology is commonly used to describe I<sup>2</sup>C data transfers.

**Master device:** The master device controls the slave devices on the bus. The master device generates SCL clock pulses, start and stop conditions.

**Slave devices:** Slave devices send and receive data at the master's request.

**Bus idle or not busy:** Time between stop and start conditions when both SDA and SCL are inactive and in their logic-high states.

**Start condition:** A start condition is generated by the master to initiate a new data transfer with a slave. Transitioning SDA from high to low while SCL remains high generates a start condition. See Figure 14 for applicable timing.

**Stop condition:** A stop condition is generated by the master to end a data transfer with a slave. Transitioning SDA from low to high while SCL remains high generates a stop condition. See Figure 14 for applicable timing.

**Repeated start condition:** The master can use a repeated start condition at the end of one data transfer to indicate that it will immediately initiate a new data transfer following the current one. Repeated starts are commonly used during read operations to identify a specific memory address to begin a data transfer. A repeated start condition is issued identically to a normal start condition. See Figure 14 for applicable timing.

# XFP Laser Control and Digital Diagnostic IC

**Bit write:** Transitions of SDA must occur during the low state of SCL. The data on SDA must remain valid and unchanged during the entire high pulse of SCL plus the setup and hold time requirements (Figure 14). Data is shifted into the device during the rising edge of the SCL.

**Bit read:** At the end of a write operation, the master must release the SDA bus line for the proper amount of setup time (Figure 14) before the next rising edge of SCL during a bit read. The device shifts out each bit of data on SDA at the falling edge of the previous SCL pulse and the data bit is valid at the rising edge of the current SCL pulse. Remember that the master generates all SCL clock pulses including when it is reading bits from the slave.

**Acknowledgement (ACK and NACK):** An Acknowledgement (ACK) or Not Acknowledge (NACK) is always the 9th bit transmitted during a byte transfer. The device receiving data (the master during a read or the slave during a write operation) performs an ACK by transmitting a zero during the 9th bit. A device performs a NACK by transmitting a one during the 9th bit. Timing (Figure 14) for the ACK and NACK is identical to all other bit writes. An ACK is the acknowledgment that the device is properly receiving data. A NACK is used to terminate a read sequence or as an indication that the device is not receiving data.

**Byte write:** A byte write consists of 8 bits of information transferred from the master to the slave (most significant bit first) plus a 1-bit acknowledgement from the slave to the master. The 8 bits transmitted by the mas-

ter are done according to the bit write definition and the acknowledgement is read using the bit read definition.

**Byte read:** A byte read is an 8-bit information transfer from the slave to the master plus a 1-bit ACK or NACK from the master to the slave. The 8 bits of information that are transferred (most significant bit first) from the slave to the master are read by the master using the bit read definition, and the master transmits an ACK using the bit write definition to receive additional data bytes. The master must NACK the last byte read to terminate communication so the slave returns control of SDA to the master.

**Slave address byte:** Each slave on the I<sup>2</sup>C bus responds to a slave addressing byte sent immediately following a start condition. The slave address byte contains the slave address in the most significant 7 bits and the R/W bit in the least significant bit.

The DS1862's slave address is 1010000Xb. The MOD-DESEL pin is used as a chip select, and allows the device to respond or ignore I<sup>2</sup>C communication that has A0h as the device address. By writing the correct slave address with R/W = 0, the master indicates it will write data to the slave. If R/W = 1, the master will read data from the slave. If an incorrect slave address is written, the DS1862 assumes the master is communicating with another I<sup>2</sup>C device and ignores the communications until the next start condition is sent.

**Memory address:** During an I<sup>2</sup>C write operation, the master must transmit a memory address to identify the memory location where the slave is to store the data.

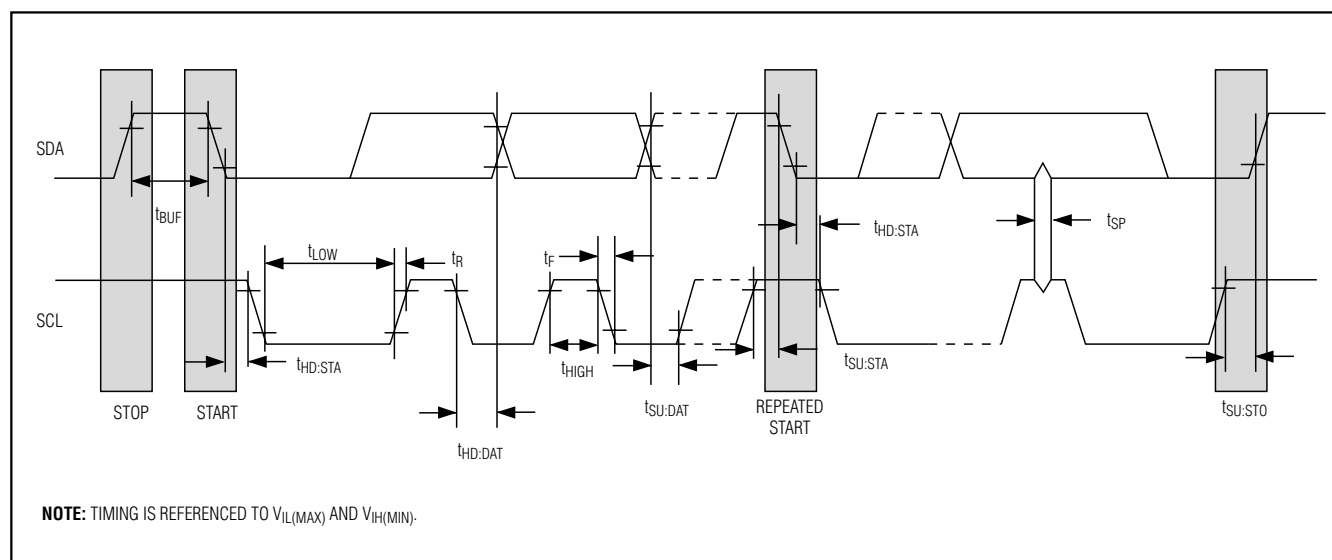


Figure 14. I<sup>2</sup>C Timing Diagram

# XFP Laser Control and Digital Diagnostic IC

The memory address is always the second byte transmitted during a write operation following the slave address byte.

## I<sup>2</sup>C Communication

**Writing a single byte to a slave:** The master must generate a start condition, write the slave address byte ( $R/\overline{W} = 0$ ), write the memory address, write the byte of data, and generate a stop condition. Remember the master must read the slave's acknowledgement during all byte write operations.

**Writing multiple bytes to a slave:** To write multiple bytes to a slave, the master generates a start condition, writes the slave address byte ( $R/\overline{W} = 0$ ), writes the memory address, writes up to 4 data bytes, and generates a stop condition.

The DS1862 is capable of writing 1 to 4 bytes (referred to as 1 row or page) with a single write transaction. This is internally controlled by an address counter that allows data to be written to consecutive addresses without transmitting a memory address before each data byte is sent. The address counter limits the write to one row of the memory map. Attempts to write to additional memory rows without sending a stop condition between rows results in the address counter wrapping around to the beginning address of the present row.

To prevent address wrapping from occurring, the master must send a stop condition at the end of the row, and then wait for the bus free or EEPROM write time to elapse. Then the master can generate a new start condition, write the slave address byte ( $R/\overline{W} = 0$ ), and the first memory address of the next memory row before continuing to write data.

**Acknowledge polling:** Any time EEPROM is written, the DS1862 requires the EEPROM write time ( $t_W$ ) after the stop condition to write the contents of the row to EEPROM. During the EEPROM write time, the DS1862 does not acknowledge its slave address because it is busy. It is possible to take advantage of this phenomenon by repeatedly addressing the DS1862, which allows the next row to be written as soon as the DS1862 is ready to receive the data. The alternative to acknowledge polling is to wait for the maximum period of  $t_W$  to elapse before attempting to write again to the DS1862.

**EEPROM write cycles:** When EEPROM writes occur, the DS1862 writes the whole EEPROM memory 4-byte row even if only a single byte on the row was modified.

Writes that do not modify all 4 bytes on the row are allowed and do not corrupt the remaining bytes of memory on the same row. Because the whole row is written, bytes on the row that were not modified during the transaction are still subject to a write cycle. This can result in a whole row being worn out over time by writing a single byte repeatedly. Writing a row one byte at a time wears out the EEPROM four times faster than writing the entire row at once. The DS1862's EEPROM write cycles are specified in the *Nonvolatile Memory Characteristics* table.

**Reading a single byte from a slave:** Unlike the write operation that uses the memory address byte to define where the data is to be written, the read operation occurs at the present value of the memory address counter. To read a single byte from the slave at the location currently in the address counter; the master generates a start condition, writes the slave address byte with  $R/\overline{W} = 1$ , reads the data byte with a NACK to indicate the end of the transfer, and generates a stop condition.

**Manipulating the address counter for reads:** A dummy write cycle can be used to force the address counter to a particular value. To do this the master generates a start condition, writes the slave address byte ( $R/\overline{W} = 0$ ), writes the memory address where it desires to read, generates a repeated start condition, writes the slave address byte ( $R/\overline{W} = 1$ ), reads data with ACK or NACK as applicable, and generates a stop condition.

See Figure 15 for a read example using the repeated start condition to specify the starting memory location.

**Reading multiple bytes from a slave:** The read operation can be used to read multiple bytes with a single transfer. When reading bytes from the slave, the master simply ACKs the data byte if it desires to read another byte before terminating the transaction. After the master reads the last byte it NACKs to indicate the end of the transfer and generates a stop condition. This can be done with or without modifying the address counter's location before the read cycle. If the address counter reaches the last physical address, the internal index pointer loops back to the first memory location in a given memory table. For example, if address FFh in Table 02h is read, the next byte of data to be returned to the master is address 80h in Table 2, not 00h in lower memory.

# XFP Laser Control and Digital Diagnostic IC

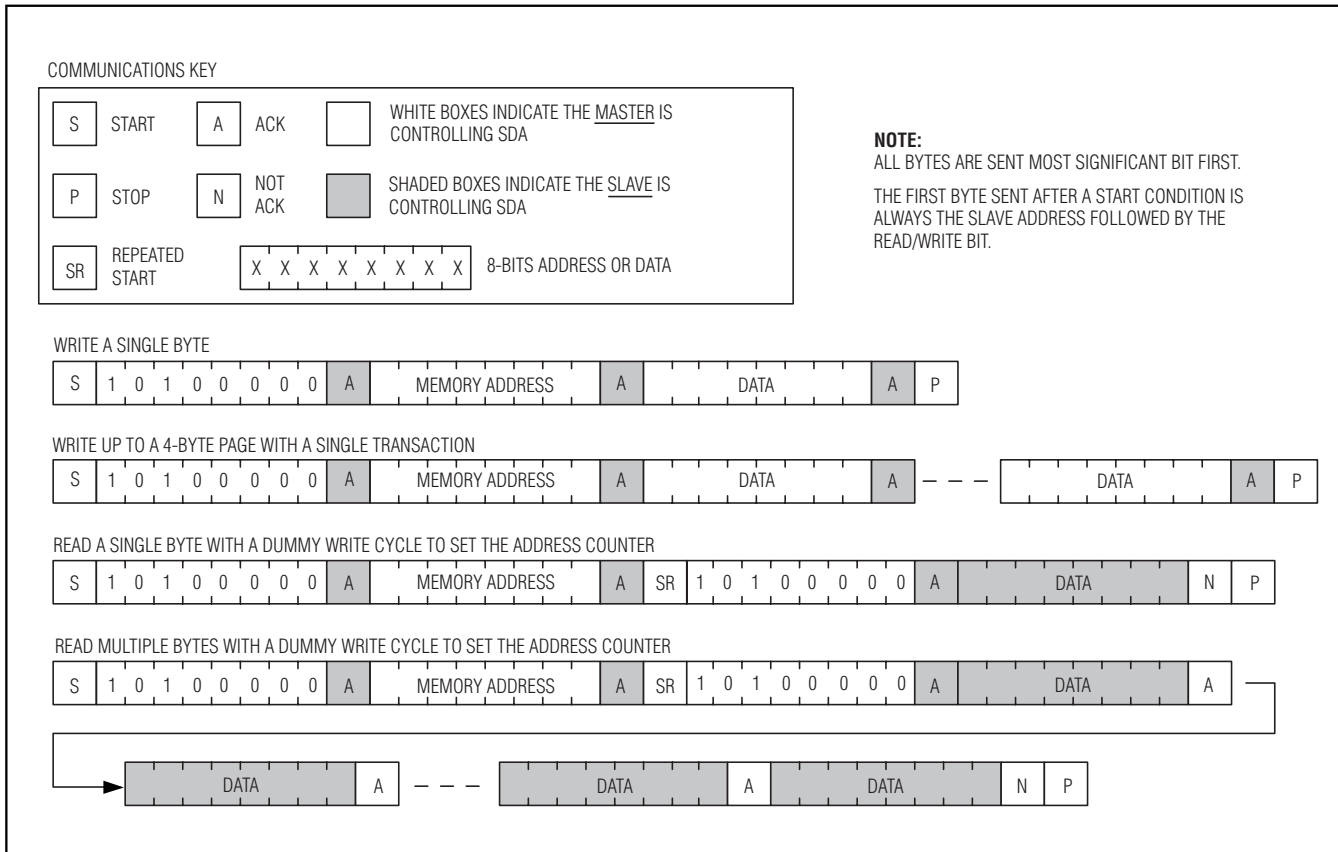


Figure 15. I<sup>2</sup>C Communications Examples

## I<sup>2</sup>C Operation using Packet Error Checking

### Read Operation with Packet Error Checking

Packet error checking during reads is supported by the DS1862. Information is transferred from the DS1862 in much the same way as conventional I<sup>2</sup>C protocol, however, an extra CRC field is added and checked. The still begins by sending the device address (A0h for DS1862), then the index pointer to the memory address of interest. The next byte transferred, however will be the value of the intended number of bytes to be read. The calculation of the CRC-8 includes and requires the explicit starting memory address to be included as the second transferred byte (dummy write byte). Next, the slave transfers the data back as the master acknowledges. Only 1 to 128 bytes can be sequentially read during one transmission while using PEC. After the master reads the intended number of bytes, the CRC-8 value is transmitted by the DS1862. The master ends

the communication with a NACK and a STOP. See Figure 16 for a graphical representation. The CRC-8 is calculated starting with the MSB of the memory address pointer, number of bytes to read, and the read data. The master can then verify the CRC-8 value and reject the read data if the CRC-8 value does not correspond to the received CRC value. The CRC-8 must be calculated by using the following polynomial for both reads and writes:

$$C(x) = X^8 + X^2 + X + 1$$

### Write Operation with Packet Error Checking

Packet error checking during writes is also supported by the DS1862. Information is written to the DS1862 in much the same way as conventional I<sup>2</sup>C protocol, however, an extra CRC field is added and checked. The master still begins by sending the device address, then the index pointer to the memory address of interest. The next byte however, will be the value of the intended number of bytes to be written. The calculation of the

# XFP Laser Control and Digital Diagnostic IC

CRC-8 includes and requires the explicit starting memory address to be included as the second transferred byte. Next, the master transfers the data as the DS1862 acknowledges. Only 4 bytes can be sequentially written during one transmission while using PEC. After the master writes the intended number of bytes, the CRC-8 value should be transmitted. Following the CRC-8 byte the master should transmit the CAB byte (CRC Add-on Byte). At this point, the DS1862 sends an ACK if the CRC-8 matches its internal calculated value or a NACK if not. Finally the master should end the communication and send a STOP. See Figure 16 for a graphical representation. The CRC-8 is calculated starting with the MSB of the memory address pointer, number of bytes to be written, and the written data. The master can then poll the last ACK or NACK for successful transfer of written data.

For more information on I<sup>2</sup>C PEC communications, please refer to the XFP and/or SMBus 2.0 standard.

## Applications Information

### Calibrating APC and Extinction Ratio

Before calibrating, the APC register should be set to a low value to ensure the laser's maximum power level is not exceeded before the power level is calibrated. Additionally, the ER should be set to a minimum value to ensure that a data test pattern does not cause the laser to shut off. Once the APC and ER registers are at minimal values, enable a data pattern and calibrate the average power level.

### Calibrating the Average Power Level

While sending data through the laser diode, increase the value in the APC register until the light output matches the desired average power level. The average power level is the arithmetic average of the '1' and '0' power levels.

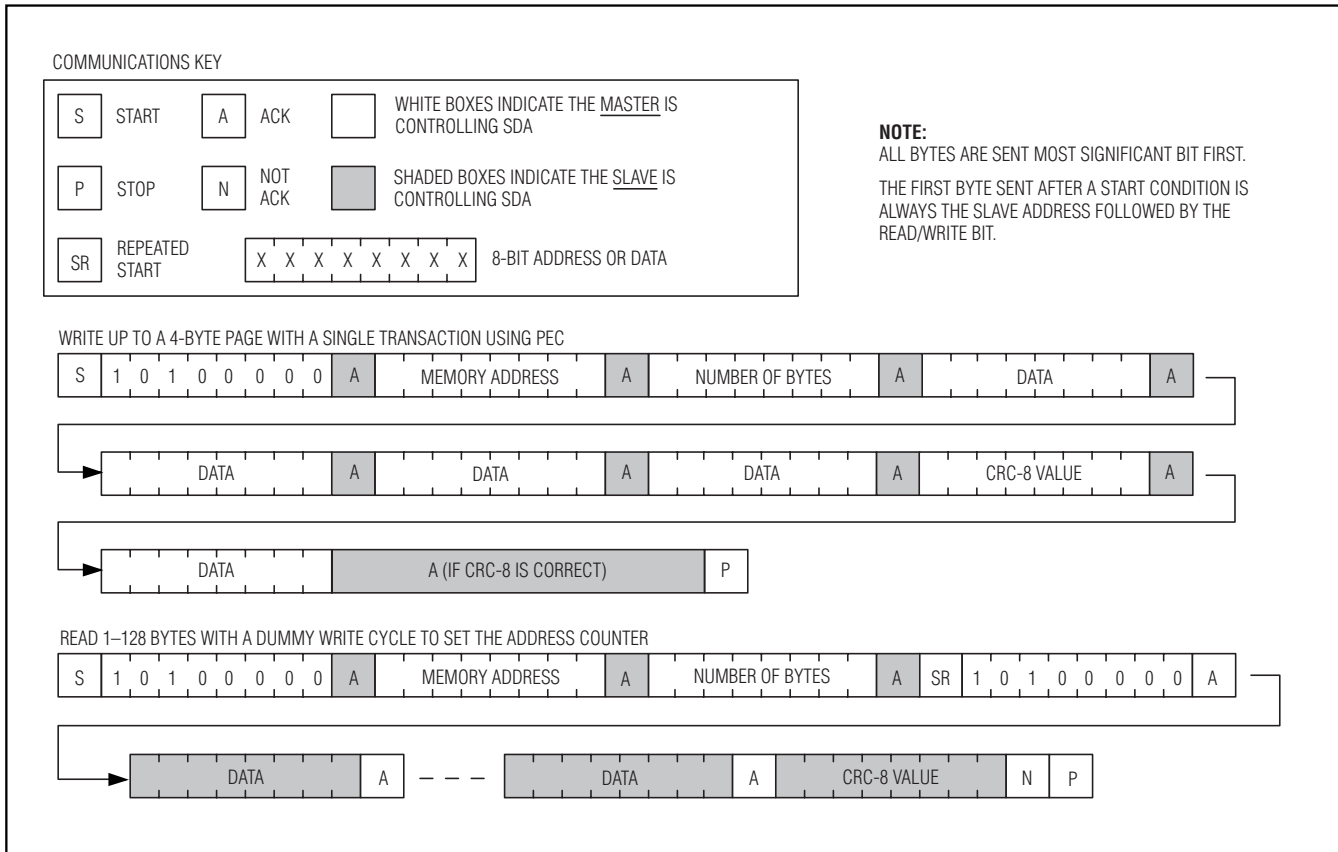


Figure 16. I<sup>2</sup>C PEC Communications Examples



# XFP Laser Control and Digital Diagnostic IC

DS1862

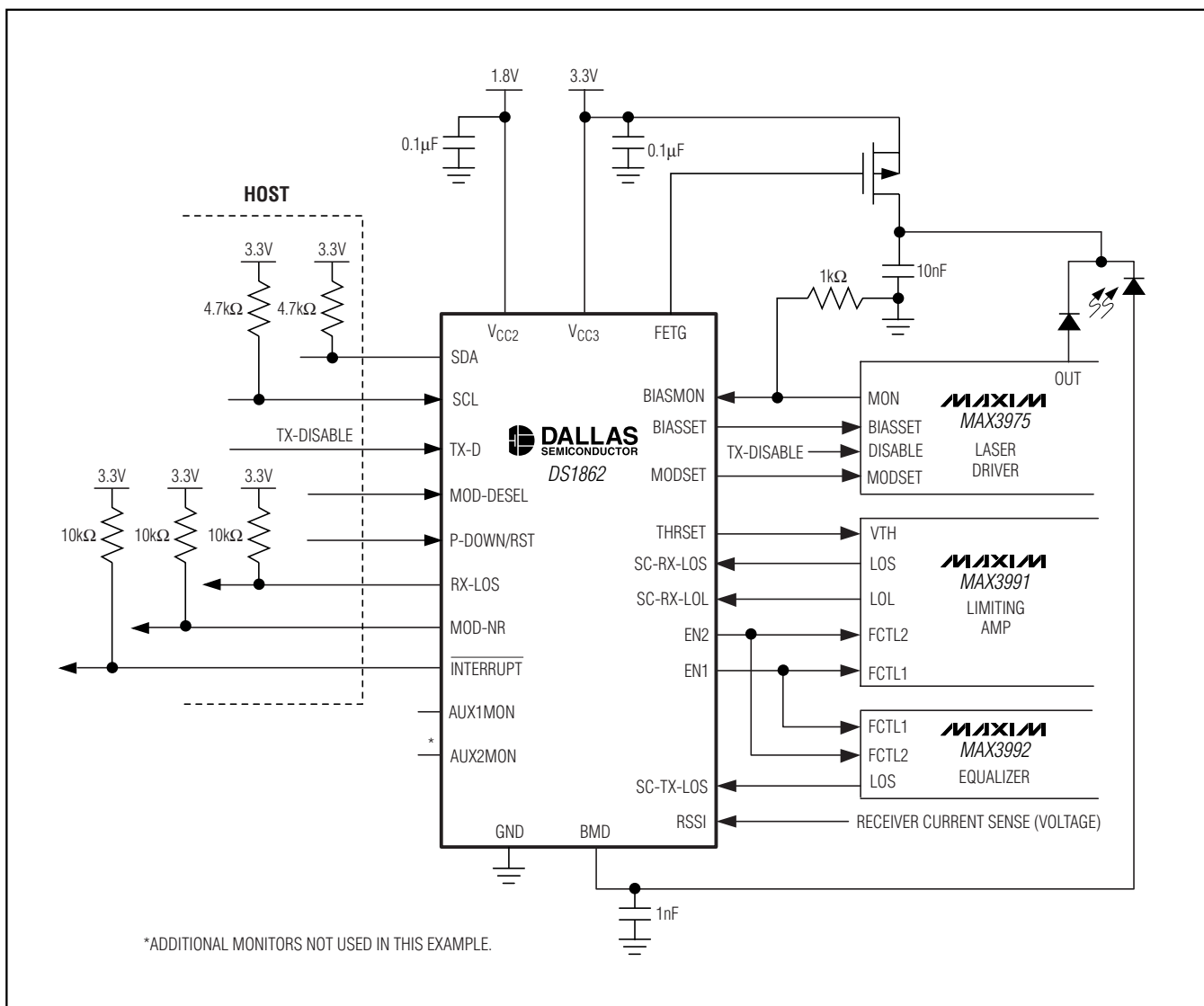
## Power-Supply Decoupling

To achieve best results, it is recommended that the power supply is decoupled with a 0.01 $\mu$ F or a 0.1 $\mu$ F capacitor. Use high-quality, ceramic, surface-mount capacitors, and mount the capacitors as close as possible to the VCC2/VCC3 and GND pins to minimize lead inductance.

## SDA and SCL Pullup Resistors

SDA is an open-collector bidirectional data pin on the DS1862 that requires a pullup resistor to realize high logic levels. Either an open-collector output with a pullup resistor or a push-pull output driver can be utilized for the SCL input. Pullup resistor values should be chosen to ensure that the rise and fall times listed in the AC Electrical Characteristics are within specification.

## Typical Operating Circuit



# **XFP Laser Control and Digital Diagnostic IC**

## **Chip Topology**

TRANSISTOR COUNT: 75,457  
SUBSTRATE CONNECTED TO GROUND


## **Package Information**

For the latest package outline information, go to  
[www.maxim-ic.com/DallasPackInfo](http://www.maxim-ic.com/DallasPackInfo).

*Maxim cannot assume responsibility for use of any circuitry other than circuitry entirely embodied in a Maxim product. No circuit patent licenses are implied. Maxim reserves the right to change the circuitry and specifications without notice at any time.*

**42** **Maxim Integrated Products, 120 San Gabriel Drive, Sunnyvale, CA 94086 408-737-7600**

© 2006 Maxim Integrated Products Printed USA **MAXIM** is a registered trademark of Maxim Integrated Products, Inc.

 **DALLAS** SEMICONDUCTOR is a registered trademark of Dallas Semiconductor Corporation.