



## DS1995

# 16Kb Memory iButton

### SPECIAL FEATURES

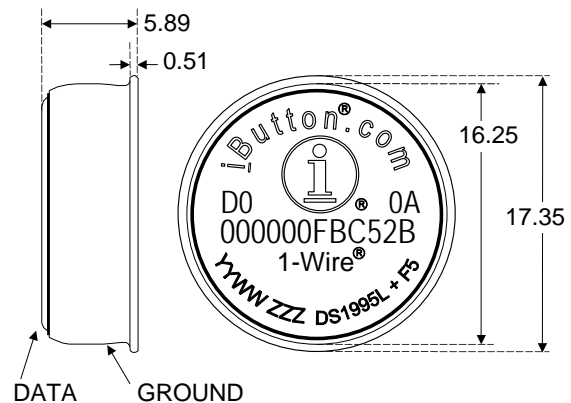
- 16384 bits of read/write nonvolatile memory
- 256-bit scratchpad ensures integrity of data transfer
- Overdrive mode boosts communication to 142 kbits per second
- Memory partitioned into 256-bit pages for packetizing data
- Data integrity assured with strict read/write protocols
- Operating temperature range from -40°C to +70°C
- Over 10 years of data retention

### COMMON iButton FEATURES

- Unique, factory-lasered and tested 64-bit registration number (8-bit family code + 48-bit serial number + 8-bit CRC tester) assures absolute traceability because no two parts are alike
- Multidrop controller for MicroLAN
- Digital identification and information by momentary contact
- Chip-based data carrier compactly stores information
- Data can be accessed while affixed to object
- Economically communicates to bus master with a single digital signal at 16.3 kbits per second
- Standard 16 mm diameter and 1-Wire<sup>®</sup> protocol ensure compatibility with iButton family
- Button shape is self-aligning with cup-shaped probes
- Durable stainless steel case engraved with registration number withstands harsh environments
- Easily affixed with self-stick adhesive backing, latched by its flange, or locked with a ring pressed onto its rim

- Presence detector acknowledges when reader first applies voltage

### F5 MICROCAN



All dimensions are shown in millimeters.

### ORDERING INFORMATION

| PART        | TEMP RANGE     | PIN-PACKAGE |
|-------------|----------------|-------------|
| DS1995L-F5+ | -40°C to +70°C | F5 MicroCan |

+Denotes a lead(Pb)-free/RoHS-compliant package.

### EXAMPLES OF ACCESSORIES

|          |                         |
|----------|-------------------------|
| DS9096P  | Self-Stick Adhesive Pad |
| DS9101   | Multi-Purpose Clip      |
| DS9093RA | Mounting Lock Ring      |
| DS9093F  | Snap-In Fob             |
| DS9092   | iButton Probe           |

### iButton DESCRIPTION

The DS1995 Memory iButton operates nearly identically to the DS1996. The main differences are: 16 Kbits of memory organized as 64 pages of 32 bytes and a family code of 0A hexadecimal. For further details, refer to the DS1996 data sheet.

**REVISION HISTORY**

| <b>REVISION<br/>DATE</b> | <b>DESCRIPTION</b>   | <b>PAGES<br/>CHANGED</b> |
|--------------------------|--|--------------------------|
| 070808                   | Updated the <i>Ordering Information</i> table to only show the lead-free version (DS1995-F5+). | 1                        |
|                          | Updated the F5 MicroCan marking to match PCN H020201.  | 1                        |
| 8/09                     | Removed the UL#913 bullet from the <i>Common iButton Features</i> section.                     | 1                        |