

## DS1630B/DS3630B Hex CMOS Compatible Buffer

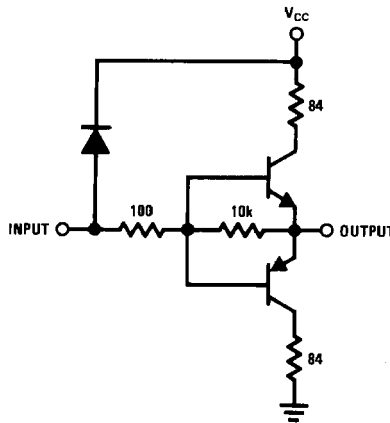
### General Description

The DS1630B/DS3630B is a high current buffer intended for use with CMOS circuits interfacing with peripherals requiring high drive currents. The DS1630B/DS3630B features low quiescent power consumption (typically 50  $\mu$ W) as well as high-speed driving of capacitive loads such as large MOS memories. The design of the DS1630B/DS3630B is such that  $V_{CC}$  current spikes commonly found in standard CMOS circuits cannot occur, thereby, reducing the total transient and average power when operating at high frequencies.

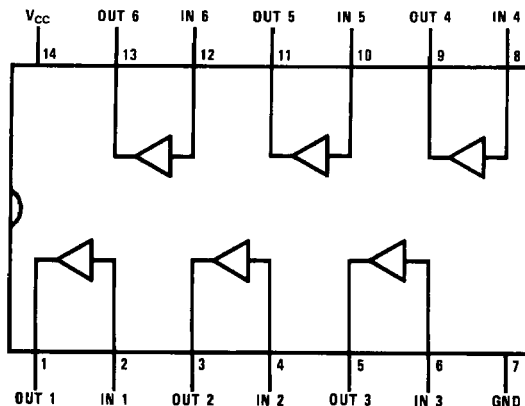
### Features

- High-speed capacitive driver
- Wide supply voltage range
- Input/output may interface to TTL
- Input/output CMOS compatibility
- No internal transient  $V_{CC}$  current spikes
- 50  $\mu$ W typical standby power

### Equivalent Schematic and Connection Diagrams



TL/F/5826-1

**Dual-In-Line Package**

**Top View**

Order Number DS1630BJ, DS3630BJ or DS3630BN  
 See NS Package Number J14A or N14A

TL/F/5826-2

**Absolute Maximum Ratings**

If Military/Aerospace specified devices are required, please contact the National Semiconductor Sales Office/Distributors for availability and specifications.

Supply Voltage	16V
Input Voltage	16V
Output Voltage	16V
Lead Temperature (Soldering, 4 seconds)	260°C

**Operating Conditions**

	Min	Max	Units
Supply Voltage ( $V_{CC}$ )	3	15	V
Temperature ( $T_A$ )			
DS1630B	-55	+125	°C
DS3630B	0	+70	°C

**Electrical Characteristics** (Notes 2 and 3)

Symbol	Parameter	Conditions	Min	Typ	Max	Units	
$I_{INH}$	Logical "1" Input Current	$V_{IN} = V_{CC}, I_{OUT} = -400 \mu A$	DS1630B		90	200	$\mu A$
			DS3630B		90	200	$\mu A$
		$V_{IN} = V_{CC} - 2.0V, I_{OUT} = 16 mA$	DS1630B		0.5	6.4	mA
			DS3630B		0.5	4.0	mA
$I_{INL}$	Logical "0" Input Current	$V_{IN} = 0.4V, I_{OUT} = 16 mA$	DS1630B		-0.15	2.0	mA
			DS3630B		$V_{CC} - 150$	1.3	mA
$V_{OH}$	Logical "1" Output Voltage	$V_{IN} = V_{CC}, I_{OUT} = -400 \mu A$	DS1630B	$V_{CC} - 1$	$V_{CC} - 0.75$		V
			DS3630B	$V_{CC} - 0.9$	$V_{CC} - 0.75$		V
		$V_{IN} = V_{CC} - 0.4V, I_{OUT} = -16 mA$	DS1630B	$V_{CC} - 2.5$	$V_{CC} - 2.0$		V
			DS3630B	$V_{CC} - 2.5$	$V_{CC} - 2.0$		V
$V_{OL}$	Logical "0" Output Voltage	$V_{IN} = 0V, I_{OUT} = 400 \mu A$	DS1630B		0.75	1	V
			DS3630B		0.75	0.9	V
		$V_{IN} = 0V, I_{OUT} = 16 mA$	DS1630B		0.95	1.3	V
			DS3630B		0.95	1.3	V
		$V_{IN} = 0.4V, I_{OUT} = 16 mA$	DS1630B		1.2	1.6	V
			DS3630B		1.2	1.5	V

**Switching Characteristics**  $V_{CC} = 5.0V, T_A = 25^\circ C$  unless otherwise specified

Symbol	Parameter	Conditions	Min	Typ	Max	Units
$t_{pd0}$	Propagation Delay to a Logical "0"	$C_L = 50 pF$		30	45	ns
		$C_L = 250 pF$		40	60	ns
		$C_L = 500 pF$		50	75	ns
$t_{pd1}$	Propagation Delay to a Logical "1"	$C_L = 50 pF$		15	25	ns
		$C_L = 250 pF$		35	50	ns
		$C_L = 500 pF$		50	75	ns

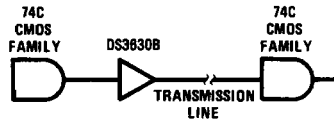
**Note 1:** "Absolute Maximum Ratings" are those values beyond which the safety of the device cannot be guaranteed. Except for "Operating Temperature Range" they are not meant to imply that the devices should be operating at these limits. The table of "Electrical Characteristics" provides conditions for actual device operation.

**Note 2:** Unless otherwise specified min/max limits apply across the  $-55^\circ C$  to  $+125^\circ C$  temperature range for the DS1630B and across the  $0^\circ C$  to  $+70^\circ C$  range for the DS3630B. All typicals are given for  $V_{CC} = 5.0V$  and  $T_A = 25^\circ C$ .

**Note 3:** All currents into device pins shown as positive, out of device pins as negative, all voltages referenced to ground unless otherwise noted. All values shown as max or min on absolute value basis.

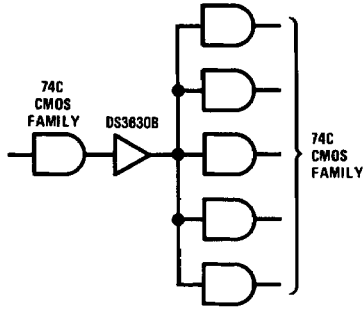
# Typical Applications

## CMOS to Transmission Line Interface



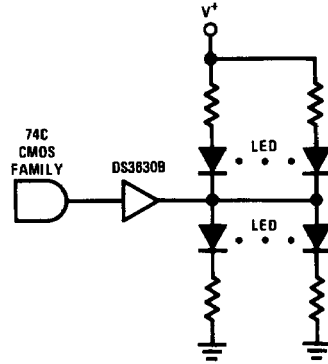
TL/F/5826-3

## CMOS to CMOS Interface



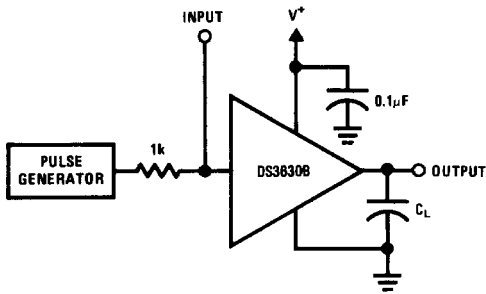
TL/F/5826-4

## LED Driver



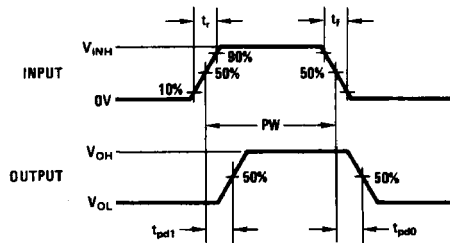
TL/F/5826-5

# AC Test Circuit and Switching Time Waveforms



TL/F/5826-7

$C_L$  includes probe and jig capacitance

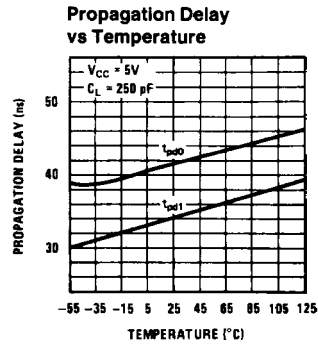
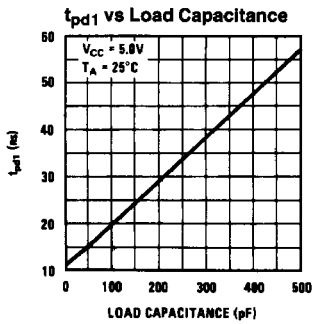
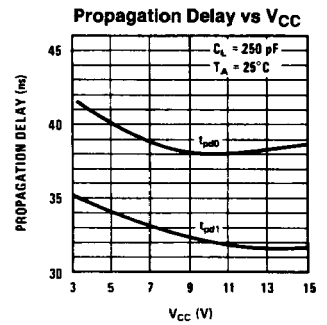
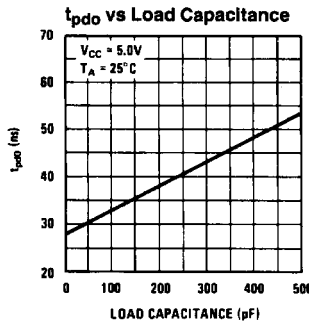
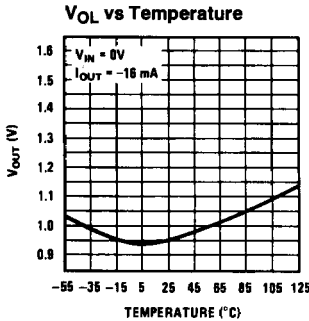
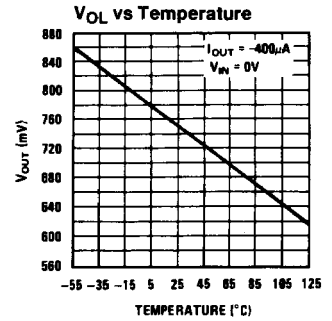
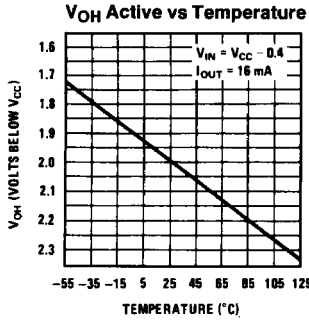
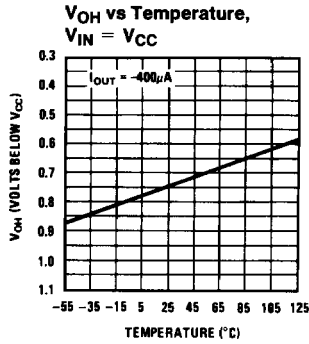


TL/F/5826-8

Pulse Generator characteristics: PRR = 1.0 MHz, PW = 500 ns,

$t_r = t_f < 10$  ns,  $V_{IN} = 0$  to  $V_{CC}$

# Typical Performance Characteristics



TL/F/5826-6