

DS8627/DS8628 130/225 MHz Low Power Prescalers

General Description

The DS8627 and DS8628 are low power fixed ratio prescalers which divide by 24 and 20, respectively. The inputs can be driven either single or double-ended and they are buffered, providing 40/100 mVrms input sensitivity. The output provided is open-collector and is capable of interfacing with TTL and CMOS.

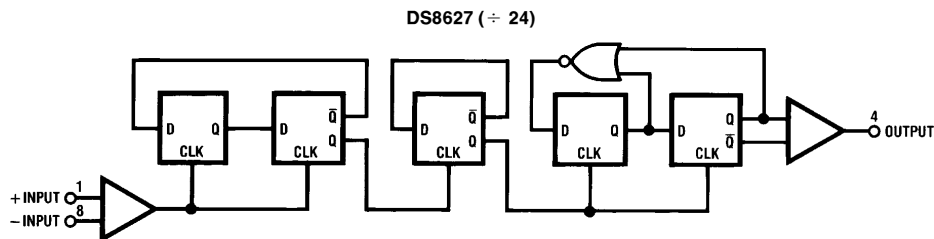
The device can be used in phase-locked loop applications such as FM radio or other communications bands to pre-scale the input frequency down to a more usable level. A digital frequency display system can also be derived

separately or in conjunction with a phase-locked loop, and it can extend the useful range of many inexpensive frequency counters to 225 MHz.

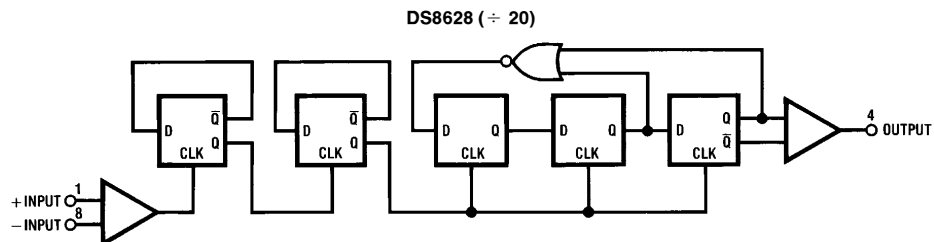
Features

- Input frequency: 130 MHz (-4, -3); 225 mHz (-2, std)
- Low power: 10 mA (-4, -2); 7 mA (-3, std)
- Input sensitivity: 100 mVrms (-4, -3); 40 mVrms (-2, std)

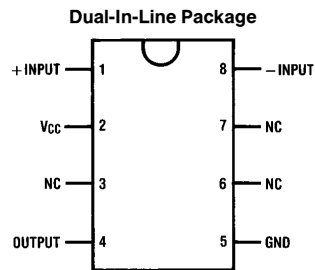
Logic and Connection Diagrams



TL/F/5009-1



TL/F/5009-2



TL/F/5009-3

Top View
Order Number DS8627N or DS8628N (-4, -3, -2)
See NS Package Number N08E

Absolute Maximum Ratings (Note 1)

If Military/Aerospace specified devices are required, please contact the National Semiconductor Sales Office/Distributors for availability and specifications.

V_{CC} Supply Voltage 7V
 V_{IN} Input Voltage $< V_{CC}$

Open-Collector Output Voltage 7V
 Operating Free Air Temperature Range -30°C to $+70^{\circ}\text{C}$
 Storage Temperature Range -65°C to $+150^{\circ}\text{C}$

Recommended Operating Conditions

Symbol	Parameter	Conditions	DS8627-4 DS8628-4		DS8627-3 DS8628-3		DS8627-2 DS8628-2		DS8627 DS8628		Units
			Min	Max	Min	Max	Min	Max	Min	Max	
V_{CC}	Supply Voltage		4.5	5.5	4.5	5.5	4.5	5.5	4.5	5.5	V
f_{MAX}	Toggle Frequency	$V_{IN} = 100$ mVrms	20	130	20	130	20	225	20	225	MHz
V_{IN}	Input Signal Amplitude		100	300	100	300	40	300	40	300	mVrms
V_{SLW}	Slew Rate		20		20		20		20		V/ μ s
I_{OL}	Low Level Output Current			3		3				3	mA

DC Electrical Characteristics (Notes 2 and 3)

Symbol	Parameter	Conditions	DS8627-4 DS8628-4		DS8627-3 DS8628-3		DS8627-2 DS8628-2		DS8627 DS8628		Units
			Min	Max	Min	Max	Min	Max	Min	Max	
I_{CEX}	Open-Collector High Level Output	Output = 5.5V		100		100		100		100	μ A
V_{OL}	Low Level Output Voltage	$V_{CC} = 4.5\text{V}$, $I_{OL} = 3$ mA		0.4		0.4		0.4		0.4	V
I_{CC}	Supply Current	$V_{CC} = 5.5\text{V}$		10		7		10		7	mA

AC Electrical Characteristics $V_{CC} = 5\text{V} \pm 10\%$, $T_A = -30^{\circ}\text{C}$ to $+70^{\circ}\text{C}$

Symbol	Parameter	Conditions	Min	Max	Units
R_{IN}	AC Input Resistance	$V_{IN} = 100$ MHz and 50 mVrms	1.0		k Ω
C_{IN}	Input Capacitance		3	10	pF

Note 1: "Absolute Maximum Ratings" are those values beyond which the safety of the device cannot be guaranteed. Except for "Operating Temperature Range" they are not meant to imply that the devices should be operated at these limits. The table of "Electrical Characteristics" provides conditions for actual device operation.

Note 2: Unless otherwise specified min/max limits apply across the -30°C to $+70^{\circ}\text{C}$ temperature range.

Note 3: All currents into device pins are shown as positive, out of device pins as negative, all voltages referenced to ground unless otherwise noted. All values shown as max or min on absolute value basis.

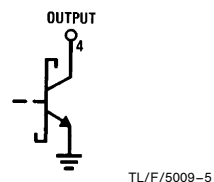
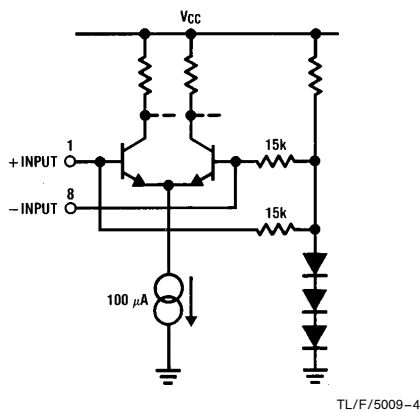
Application Hints

OPERATING NOTES

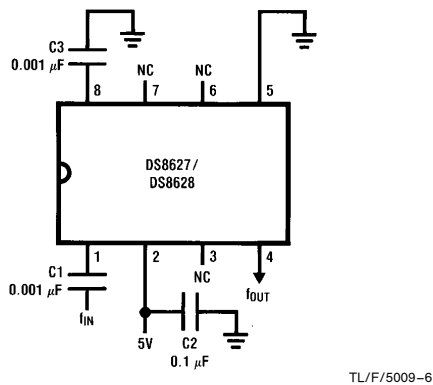
The signal source is usually capacitively coupled to the input. At higher frequencies a $0.001 \mu\text{F}$ input capacitor is usually sufficient, with larger values used at the lower frequencies. If the input signal is likely to be interrupted, it may be desirable to connect a $100 \text{ k}\Omega$ resistor between one input and ground to stabilize the device. In the single-ended mode, it is preferable to connect the resistor to the unused input. In the differential mode, the resistor can be connected to either input. The addition of the $100 \text{ k}\Omega$ pull-down resistor causes a loss of input sensitivity, but prevents circuit oscillations under no signal (open circuit) conditions. In addition, in the single ended mode, a capacitor of $0.001 \mu\text{F}$ should be connected between the unused input and the ground plane to provide a good high frequency bypass. The capacitor should be made larger for lower frequencies.

The input waveform may be sinusoidal, but below about 20 MHz the operation of the circuit becomes dependent on the slew rate of the input rather than amplitude. A square wave input with a slew rate of greater than $20 \text{ V}/\mu\text{s}$ will permit correct operation down to lower frequencies, provided the proper input coupling capacitor is provided.

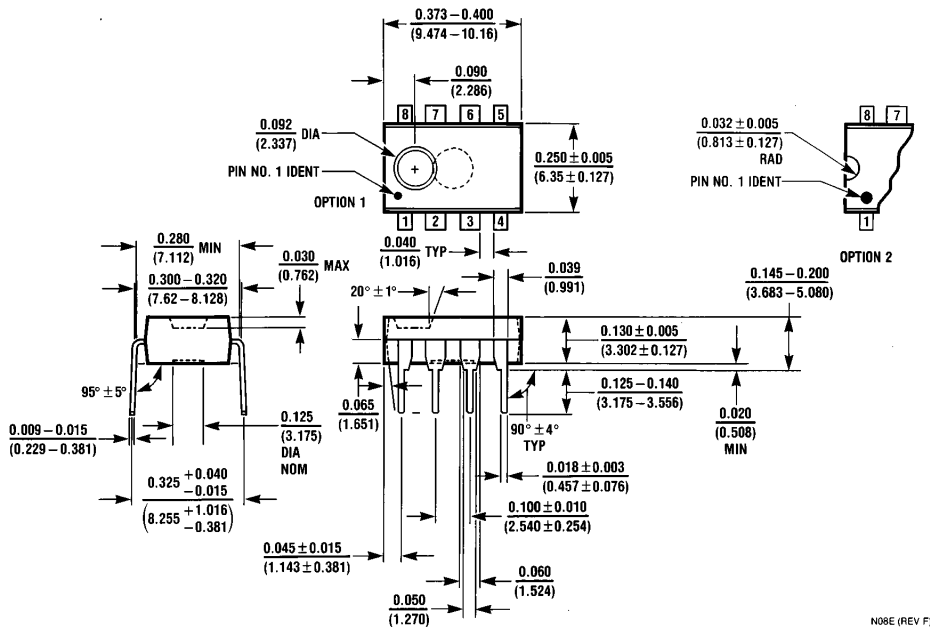
Schematic Diagrams



Typical Application



Physical Dimensions inches (millimeters)



Molded Dual-In-Line Package (N)
Order Number DS8627N or DS8628N (-4, -3, -2)
NS Package Number N08E

LIFE SUPPORT POLICY

NATIONAL'S PRODUCTS ARE NOT AUTHORIZED FOR USE AS CRITICAL COMPONENTS IN LIFE SUPPORT DEVICES OR SYSTEMS WITHOUT THE EXPRESS WRITTEN APPROVAL OF THE PRESIDENT OF NATIONAL SEMICONDUCTOR CORPORATION. As used herein:

1. Life support devices or systems are devices or systems which, (a) are intended for surgical implant into the body, or (b) support or sustain life, and whose failure to perform, when properly used in accordance with instructions for use provided in the labeling, can be reasonably expected to result in a significant injury to the user.
2. A critical component is any component of a life support device or system whose failure to perform can be reasonably expected to cause the failure of the life support device or system, or to affect its safety or effectiveness.



National Semiconductor Corporation
 1111 West Bardin Road
 Arlington, TX 76017
 Tel: (800) 272-9959
 Fax: (800) 737-7018

National Semiconductor Europe
 Fax: (+49) 0-180-530 85 86
 Email: cnjwge@tevm2.nsc.com
 Deutsch Tel: (+49) 0-180-530 85 85
 English Tel: (+49) 0-180-532 78 32
 Français Tel: (+49) 0-180-532 93 58
 Italiano Tel: (+49) 0-180-534 16 80

National Semiconductor Hong Kong Ltd.
 19th Floor, Straight Block,
 Ocean Centre, 5 Canton Rd.
 Tsimshatsui, Kowloon
 Hong Kong
 Tel: (852) 2737-1600
 Fax: (852) 2736-9960

National Semiconductor Japan Ltd.
 Tel: 81-043-299-2309
 Fax: 81-043-299-2408

National does not assume any responsibility for use of any circuitry described, no circuit patent licenses are implied and National reserves the right at any time without notice to change said circuitry and specifications.