

DS7831/DS8831/DS7832/DS8832 Dual TRI-STATE® Line Driver

General Description

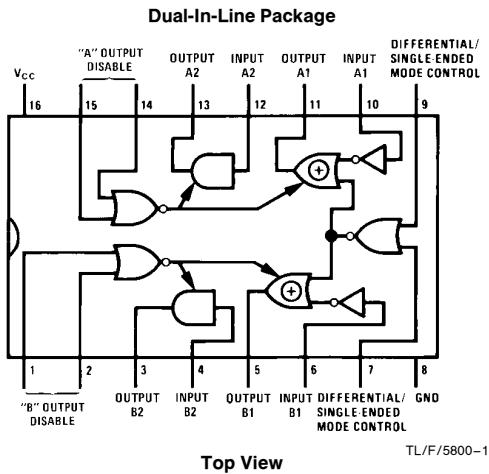
Through simple logic control, the DS7831/DS8831, DS7832/DS8832 can be used as either a quad single-ended line driver or a dual differential line driver. They are specifically designed for party line (bus-organized) systems. The DS7832/DS8832 does not have the V_{CC} clamp diodes found on the DS7831/DS8831.

The DS7831 and DS7832 are specified for operation over the -55°C to $+125^{\circ}\text{C}$ military temperature range. The DS8831 and DS8832 are specified for operation over the 0°C to $+70^{\circ}\text{C}$ temperature range.

Features

- Series 54/74 compatible
- 17 ns propagation delay
- Very low output impedance—high drive capability
- 40 mA sink and source currents
- Gating control to allow either single-ended or differential operation
- High impedance output state which allows many outputs to be connected to a common bus line

Connection and Logic Diagram



Order Number DS8831N, DS8832J or DS8832N
See NS Package Number J16A or N16A

For Complete Military 883 Specifications,
See RETS Data Sheet.

Order Number DS7831J/883, DS7831W/883,
DS7832J/883 or DS7832W/883
See NS Package Number J16A or W16A

Truth Table (Shown for A Channels Only)

"A" Output Disable		Differential/ Single-Ended Mode Control		Input A1	Output A1	Input A2	Output A2
0	0	0	0	Logical "1" or Logical "0"	Same as Input A1	Logical "1" or Logical "0"	Same as Input A2
0	0	X	1	Logical "1" or Logical "0"	Opposite of Input A1	Logical "1" or Logical "0"	Same as Input A2
1	X	X	X	X	High Impedance State	X	High Impedance State

X = Don't Care

TRI-STATE® is a registered trademark of National Semiconductor Corp.

Absolute Maximum Ratings (Note 1)

If Military/Aerospace specified devices are required, please contact the National Semiconductor Sales Office/Distributors for availability and specifications.

Supply Voltage	7V
Input Voltage	5.5V
Output Voltage	5.5V
Storage Temperature Range	-65°C to +150°C
Lead Temperature (Soldering, 4 sec.)	260°C
Maximum Power Dissipation* at 25°C	
Cavity Package	1433 mW
Molded Package	1362 mW

*Derate cavity package 9.6 mW/°C above 25°C; derate molded package 10.9 mW/°C above 25°C.

Operating Conditions

	Min	Max	Units
Supply Voltage (V_{CC})			
DS7831/DS7832	4.5	5.5	V
DS8831/DS8832	4.75	5.25	V
Temperature (T_A)			
DS7831/DS7832	-55	+125	°C
DS8831/DS8832	0	+70	°C

Electrical Characteristics (Notes 2 and 3)

Symbol	Parameter	Conditions	Min	Typ	Max	Units		
V_{IH}	Logical "1" Input Voltage	$V_{CC} = \text{Min}$	2.0			V		
V_{IL}	Logical "0" Input Voltage	$V_{CC} = \text{Min}$			0.8	V		
V_{OH}	Logical "1" Output Voltage	DS7831/DS7832	$V_{CC} = \text{Min}$	$I_O = -40 \text{ mA}$	1.8	2.3	V	
				$I_O = -2 \text{ mA}$	2.4	2.7	V	
		DS8831/DS8832		$I_O = -40 \text{ mA}$	1.8	2.5	V	
				$I_O = -5.2 \text{ mA}$	2.4	2.9	V	
V_{OL}	Logical "0" Output Voltage	DS7831/DS7832	$V_{CC} = \text{Min}$	$I_O = 40 \text{ mA}$		0.29	0.50	V
				$I_O = 32 \text{ mA}$			0.40	V
		DS8831/DS8832		$I_O = 40 \text{ mA}$		0.29	0.50	V
				$I_O = 32 \text{ mA}$			0.40	V
I_{IH}	Logical "1" Input Current	$V_{CC} = \text{Max}$	DS7831/DS7832, $V_{IN} = 5.5\text{V}$			1	mA	
			DS8831/DS8832, $V_{IN} = 2.4\text{V}$			40	μA	
I_{IL}	Logical "0" Input Current	$V_{CC} = \text{Max}, V_{IN} = 0.4\text{V}$		-1.0	-1.6	mA		
I_{OD}	Output Disable Current	$V_{CC} = \text{Max}, V_O = 2.4\text{V or } 0.4\text{V}$	-40		40	μA		
I_{SC}	Output Short Circuit Current	$V_{CC} = \text{Max}, (\text{Note } 4)$	-40	-100	-120	mA		
I_{CC}	Supply Current	$V_{CC} = \text{Max in TRI-STATE}$		65	90	mA		
V_{CLI}	Input Diode Clamp Voltage	$V_{CC} = 5.0\text{V}, T_A = 25^\circ\text{C}, I_{IN} = -12 \text{ mA}$			-1.5	V		
V_{CLO}	Output Diode Clamp Voltage	$V_{CC} = 5.0\text{V}, T_A = 25^\circ\text{C}$	$I_{OUT} = -12 \text{ mA}$	DS7831/DS8831 DS7832/DS8832		-1.5	V	
			$I_{OUT} = 12 \text{ mA}$	DS7831/DS8831		$V_{CC} + 1.5$	V	

Switching Characteristics $T_A = 25^\circ\text{C}$, $V_{CC} = 5\text{V}$, unless otherwise noted

Symbol	Parameter	Conditions	Min	Typ	Max	Units
t_{pd0}	Propagation Delay to a Logical "0" from Inputs A1, A2, B1, B2 Differential Single-ended Mode Control to Outputs	(See Figures 4 and 5)		13	25	ns
t_{pd1}	Propagation Delay to a Logical "1" from Inputs A1, A2, B1, B2 Differential Single-ended Mode Control to Outputs			13	25	ns
t_{1H}	Delay from Disable Inputs to High Impedance State (from Logical "1" Level)			6	12	ns
t_{0H}	Delay from Disable Inputs to High Impedance State (from Logical "0" Level)			14	22	ns
t_{H1}	Propagation Delay from Disable Inputs to Logical "1" Level (from High Impedance State)			14	22	ns
t_{H0}	Propagation Delay from Disable Inputs to Logical "0" Level (from High Impedance State)			18	27	ns

Note 1: "Absolute Maximum Ratings" are those values beyond which the safety of the device cannot be guaranteed. Except for "Operating Temperature Range" they are not meant to imply that the devices should be operated at these limits. The table of "Electrical Characteristics" provides conditions for actual device operation.

Note 2: Unless otherwise specified min/max limits apply across the -55°C to $+125^\circ\text{C}$ temperature range for the DS7831 and DS7832 and across the 0°C to $+70^\circ\text{C}$ range for the DS8831 and DS8832. All typical values are for $T_A = 25^\circ\text{C}$ and $V_{CC} = 5\text{V}$.

Note 3: All currents into device pins shown as positive, out of device pins as negative, all voltage referenced to ground unless otherwise noted. All values shown as max or min on absolute value basis.

Note 4: Applies for $T_A = 125^\circ\text{C}$ only. Only one output should be shorted at a time.

Mode of Operation

To operate as a quad single-ended line driver apply logical "0"s to the output disable pins (to keep the outputs in the normal low impedance mode) and apply logical "0"s to both Differential/Single-ended Mode Control inputs. All four channels will then operate independently and no signal inversion will occur between inputs and outputs.

To operate as a dual differential line driver apply logical "0"s to the Output Disable pins and apply at least one logical "1" to the Differential/Single-ended Mode Control inputs.

The inputs to the A channels should be connected together and the inputs to the B channels should be connected together.

In this mode the signals applied to the resulting inputs will pass non-inverted on the A_2 and B_2 outputs and inverted on the A_1 and B_1 outputs.

When operating in a bus-organized system with outputs tied directly to outputs of other DS7831/DS8831's, DS7832/DS8832's (Figure 1), all devices except one must be placed

in the "high impedance" state. This is accomplished by ensuring that a logical "1" is applied to at least one of the Output Disable pins of each device which is to be in the "high impedance" state. A NOR gate was purposely chosen for this function since it is possible with only two DM5442/DM7442, BCD-to-decimal decoders, to decode as many as 100 DS7831/DS8831's, DS7832/DS8832's (Figure 2).

The unique device whose Disable inputs receive two logical "0" levels assumes the normal low impedance output state, providing good capacitive drive capability and waveform integrity especially during the transition from the logical "0" to logical "1" state. The other outputs—in the high impedance state—take only a small amount of leakage current from the low impedance outputs. Since the logical "1" output current from the selected device is 100 times that of a conventional Series 54/74 device (40 mA vs. $400\ \mu\text{A}$), the output is easily able to supply that leakage current for several hundred other DS7831/DS8831's, DS7832/DS8832's and still have available drive for the bus line (Figure 3).

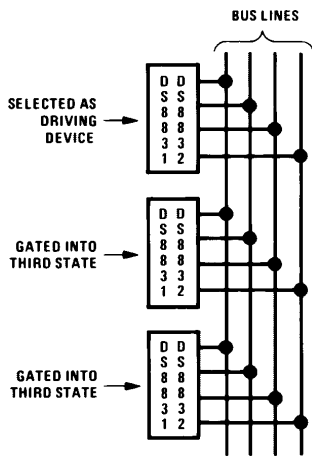


FIGURE 1

TL/F/5800-2

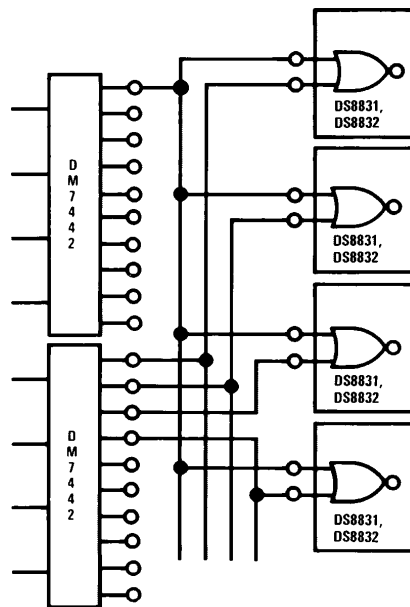


FIGURE 2

TL/F/5800-3

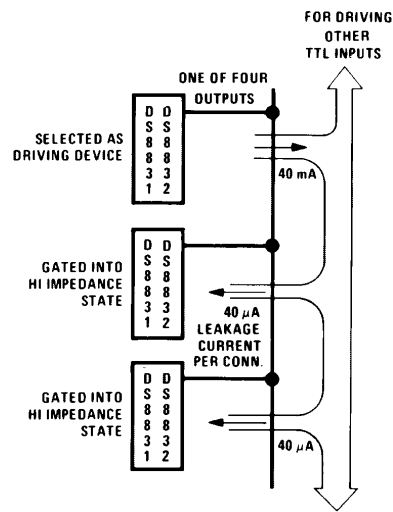
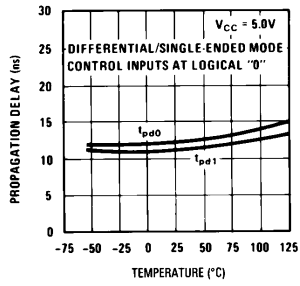


FIGURE 3

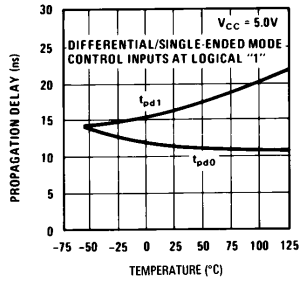
TL/F/5800-4

Typical Performance Characteristics

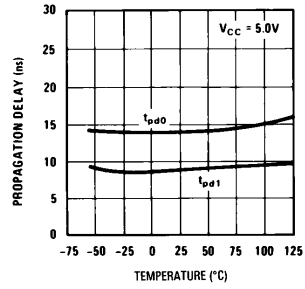
Propagation Delay from Input to Output (Channel 1)



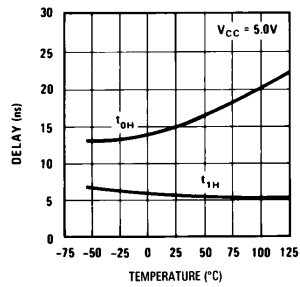
Propagation Delay from Input to Output (Channel 1)



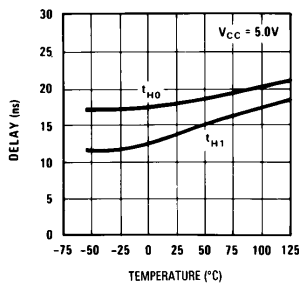
Propagation Delay from Input to Output (Channel 2)



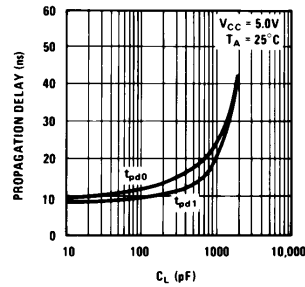
Delay from Disable to High Impedance State



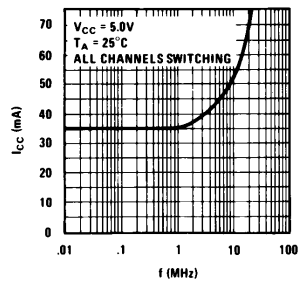
Delay from Disable to Low Impedance State



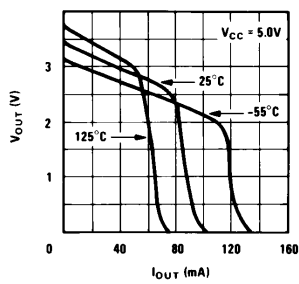
Propagation Delay vs Load Capacitance



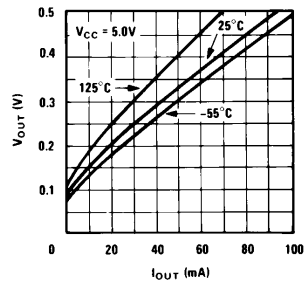
Total Supply Current vs Frequency



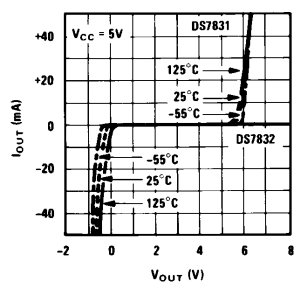
Logical "1" Output Voltage vs Source Current



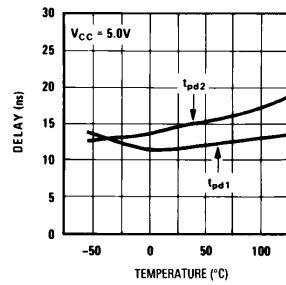
Logical "0" Output Voltage vs Sink Current



IOUT vs VOUT High Impedance Output State

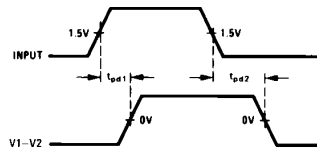
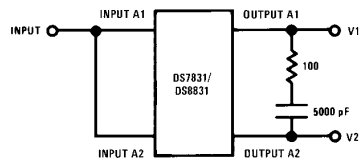


Propagation Delay in Differential Mode



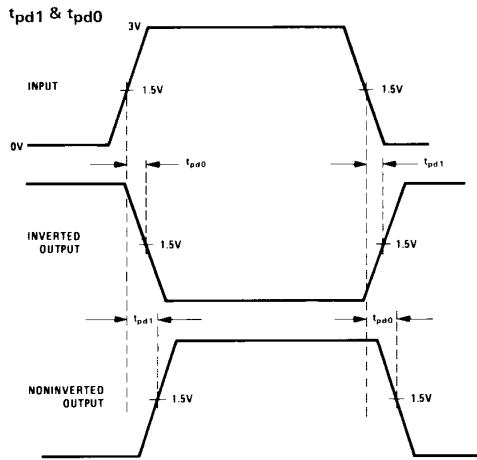
TL/F/5800-5

Typical Performance Characteristics (Continued)

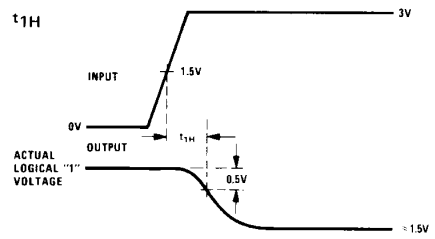
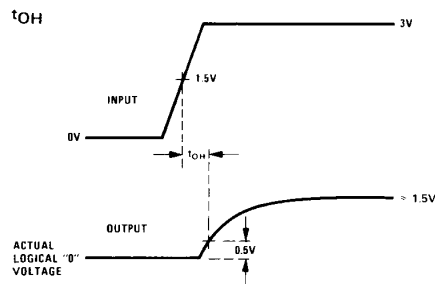


TL/F/5800-6

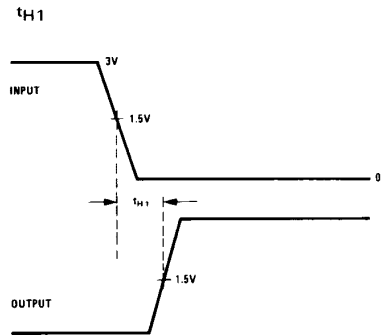
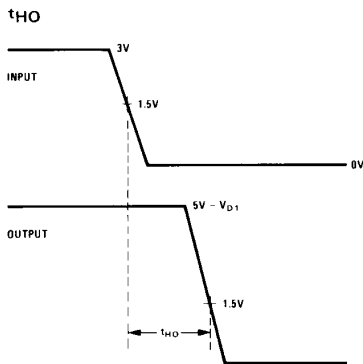
Switching Time Waveforms



Input characteristic:
 Amplitude = 3.0V
 Frequency = 1.0 MHz, 50% duty cycle
 $t_r = t_f \leq \text{ns}$ (10% to 90%)



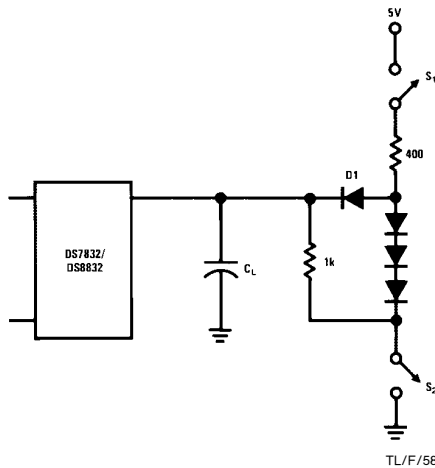
TL/F/5800-7



TL/F/5800-8

FIGURE 4

AC Load Circuit

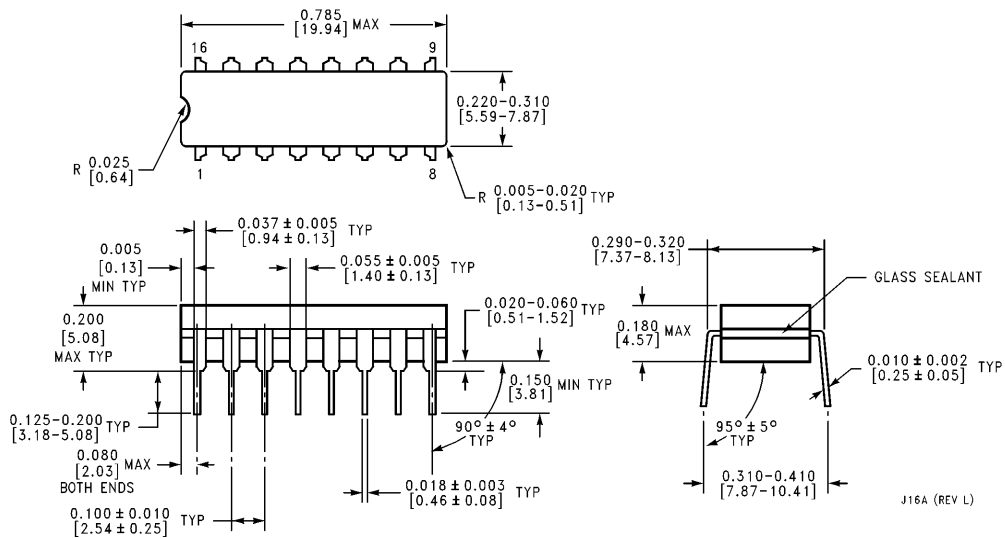


Symbol	Switch S1	Switch S2	C _L
t _{pd1}	closed	closed	50 pF
t _{pd0}	closed	closed	50 pF
t _{0H}	closed	closed	*5 pF
t _{1H}	closed	closed	*5 pF
t _{H0}	closed	open	50 pF
t _{H1}	open	closed	50 pF

*Jig capacitance

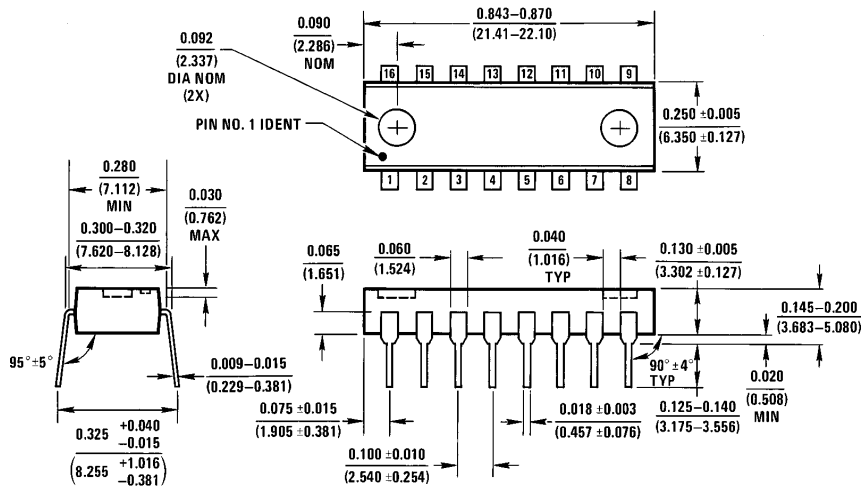
FIGURE 5

Physical Dimensions inches (millimeters)



Ceramic Dual-In-Line Package (J)
Order Number DS7831J, DS8831J, DS7832J or DS8832J
NS Package Number J16A

Physical Dimensions inches (millimeters) (Continued)



Molded Dual-In-Line Package (N)
Order Number DS8831N or DS8832N
NS Package Number N16A

N16A (REV E)

LIFE SUPPORT POLICY

NATIONAL'S PRODUCTS ARE NOT AUTHORIZED FOR USE AS CRITICAL COMPONENTS IN LIFE SUPPORT DEVICES OR SYSTEMS WITHOUT THE EXPRESS WRITTEN APPROVAL OF THE PRESIDENT OF NATIONAL SEMICONDUCTOR CORPORATION. As used herein:

1. Life support devices or systems are devices or systems which, (a) are intended for surgical implant into the body, or (b) support or sustain life, and whose failure to perform, when properly used in accordance with instructions for use provided in the labeling, can be reasonably expected to result in a significant injury to the user.
2. A critical component is any component of a life support device or system whose failure to perform can be reasonably expected to cause the failure of the life support device or system, or to affect its safety or effectiveness.



National Semiconductor Corporation
 1111 West Bardin Road
 Arlington, TX 76017
 Tel: 1(800) 272-9959
 Fax: 1(800) 737-7018

<http://www.national.com>

National Semiconductor Europe

Fax: +49 (0) 180-530 85 86
 Email: europe.support@nsc.com
 Deutsch Tel: +49 (0) 180-530 85 85
 English Tel: +49 (0) 180-532 78 32
 Français Tel: +49 (0) 180-532 93 58
 Italiano Tel: +49 (0) 180-534 16 80

National Semiconductor Hong Kong Ltd.

19th Floor, Straight Block,
 Ocean Centre, 5 Canton Rd.
 Tsimshatsui, Kowloon
 Hong Kong
 Tel: (852) 2737-1600
 Fax: (852) 2736-9960

National Semiconductor Japan Ltd.

Tel: 81-043-299-2308
 Fax: 81-043-299-2408

National does not assume any responsibility for use of any circuitry described, no circuit patent licenses are implied and National reserves the right at any time without notice to change said circuitry and specifications.

This datasheet has been download from:

www.datasheetcatalog.com

Datasheets for electronics components.