

Ultra fast Rectifier

DSEP29-06AS

FEATURES

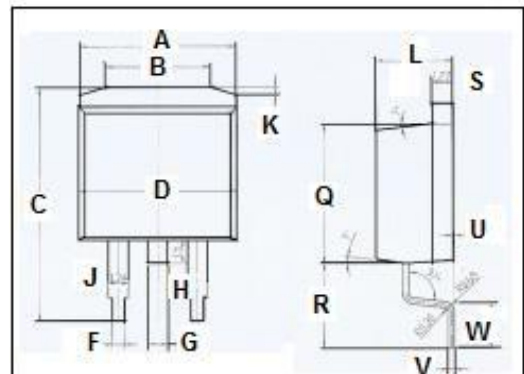
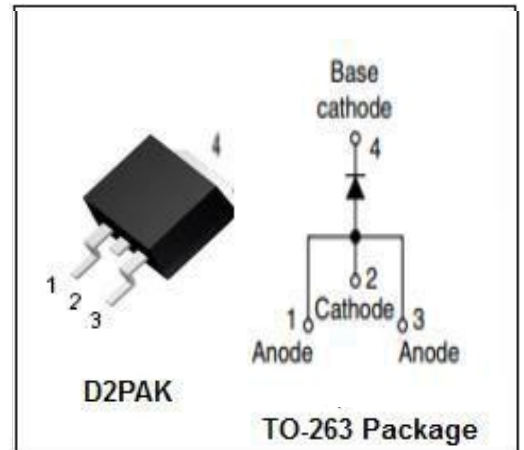
- With TO-263(DPAK) packaging
- Insulated package by fully molding
- Low forward voltage drop
- Super high speed switching
- High reliability by planer design
- High surge current capability
- Minimum Lot-to-Lot variations for robust device performance and reliable operation

APPLICATIONS

- Switching power supply
- Power switching circuits
- High speed power switching

ABSOLUTE MAXIMUM RATINGS(T_a=25°C)

SYMBOL	PARAMETER	VALUE	UNIT
VRRM VRWM VR	Peak Repetitive Reverse Voltage Working Peak Reverse Voltage DC Blocking Voltage	600	V
I _{F(AV)}	Average Rectified Forward Current @T _c =135°C; Square Wave; Duty=1/2	30	A
IFSM	Nonrepetitive Peak Surge Current 8.3ms single half sine-wave superimposed on rated load conditions	250	A
T _J	Junction Temperature	-55~175	°C
T _{stg}	Storage Temperature Range	-55~175	°C



DIM	mm	
	MIN	MAX
A	10	
B	6.6	6.8
C	15.23	15.25
D	10.15	10.17
F	0.76	0.78
G	1.26	1.28
H	1.4	1.6
J	1.33	1.35
K	0.4	0.6
L	4.6	4.8
Q	8.69	8.71
R	5.28	5.30
S	1.26	1.28
U	0.0	0.2
V	0.37	0.39
W	2.80	2.82

Ultra fast Rectifier
DSEP29-06AS
THERMAL CHARACTERISTICS

SYMBOL	PARAMETER	MAX	UNIT
R _{th j-c}	Thermal Resistance, Junction to Case	2.0	°C/W

ELECTRICAL CHARACTERISTICS (T_a=25°C) (Pulse Test: Pulse Width=300 μ s, Duty Cycle ≤2%)

SYMBOL	PARAMETER	CONDITIONS	MAX	UNIT
V _F	Maximum Instantaneous Forward Voltage	I _F =30A ; T _c =25°C I _F =30A ; T _c =150°C	1.61 1.26	V
I _R	Maximum Instantaneous Reverse Current	V _R = V _{RWM} T _c =25°C V _R = V _{RWM} T _c =150°C	0.25 12	mA
t _{rr}	Maximum Reverse Recovery Time	I _F =1A; diF/dt=200A/ μ s, V _R =30V	35	ns

NOTICE:

ISC reserves the rights to make changes of the content herein the datasheet at any time without notification. The information contained herein is presented only as a guide for the applications of our products.

ISC products are intended for usage in general electronic equipment. The products are not designed for use in equipment which require specialized quality and/or reliability, or in equipment which could have applications in hazardous environments, aerospace industry, or medical field. Please contact us if you intend our products to be used in these special applications.

ISC makes no warranty or guarantee regarding the suitability of its products for any particular purpose, nor does ISC assume any liability arising from the application or use of any products, and specifically disclaims any and all liability, including without limitation special, consequential or incidental damages.