



DSP16210 Digital Signal Processor

Features

- Optimized for applications requiring large internal memory, flexible I/O, and high cycle efficiency speech coding, speech compression, and channel coding
 - Large on-chip dual-port RAM (60 Kwords of DPRAM)—eliminates need for fast external SRAM
 - 2-input 40-bit arithmetic logic unit (ALU) with add/compare/select (ACS) for Viterbi acceleration
 - 3-input adder
 - DMA-based I/O—minimizes DSP core overhead for I/O processing
 - Flexible power management modes for low system power dissipation
 - Provides 200 DSP MIPS
- 10 ns instruction cycle time at 3 V
- Dual 16 x 16-bit multiplication and 40-bit accumulation in one instruction cycle for efficient algorithm implementations
- 31-instruction by 32-bit interruptible do-loop cache for high-speed, program-efficient, zero-overhead looping
- Nested interrupts and three interrupt priority levels for efficient control and task management operations
- On-chip boot ROM with hardware development system and boot code for flexible downloading
- On-chip, programmable, PLL clock synthesizer
- Enhanced serial I/O (ESIO) port designed to multiplex/demultiplex 64 Kbits/s, 32 Kbits/s, 16 Kbits/s, and 8 Kbits/s channels
- 26 Mbits/s simple serial I/O (SSIO) port coupled with DMA to support low-overhead I/O
- 16-bit parallel host interface (PHIF16) coupled with DMA to support low-overhead I/O
 - Supports either 8-bit or 16-bit external bus configurations (8-bit external configuration supports either 8-bit or 16-bit logical transfers)
 - Supports either *Motorola*¹ or *Intel*² protocols
- 8-bit control I/O interface for increased flexibility and lower system costs
- *IEEE*³ 1149.1 test port (JTAG boundary scan)
- Full-speed in-circuit emulation hardware development system on-chip with eight address and two data watch-point units for efficient application development
- Pin compatible with the DSP1620
- 144-pin TQFP package

Description

The DSP16210 is the first DSP device based on the DSP16000 digital signal processing core. It is manufactured in a 0.35 μm CMOS technology and offers a 10 ns instruction cycle time at 3 V operation. Designed specifically for applications requiring a large amount of memory, a flexible DMA-based I/O structure, and high cycle efficiency, the DSP16210 is a signal coding device that can be programmed to perform a wide variety of fixed-point signal processing functions. The DSP16210 includes a mix of peripherals specifically intended to support processing-intensive but cost-sensitive applications.

The large on-chip RAM (60 Kwords of dual-port RAM) supports downloadable system design—a must for infrastructure applications—to support field upgrades for evolving coding standards. The DSP16210 can address up to 192 Kwords of external storage in both its code/coefficient memory address space and data memory address space. In addition, there is an internal boot ROM (IROM) that includes system boot code and hardware development system (HDS) code.

This device also contains a bit manipulation unit (BMU) and a two-input, 40-bit arithmetic logic unit (ALU) with add/compare/select (ACS) for enhanced signal coding efficiency and Viterbi acceleration.

To optimize I/O throughput and reduce the I/O service routine burden on the DSP core, the DSP16210 is equipped with two modular I/O units (MIOUs) that manage the simple serial I/O port (SSIO) and the 16-bit parallel host interface (PHIF16) peripherals. The MIOUs provide transparent DMA transfers between the peripherals and on-chip dual-port RAM.

The combination of large on-chip RAM, low power dissipation, fast instruction cycle times, and efficient I/O management makes the DSP16210 an ideal solution in a variety of emerging applications.

1. *Motorola* is a registered trademark of Motorola, Inc.

2. *Intel* is a registered trademark of Intel Corporation.

3. *IEEE* is a registered trademark of The Institute of Electrical and Electronics Engineers, Inc.

Table of Contents

| Contents | Page | Contents | Page |
|--|------|---|------|
| ▶ Features | 1 | ▶ Enhanced Serial I/O (ESIO) Unit | 32 |
| ▶ Description | 1 | ▶ Input Section | 32 |
| ▶ Notation Conventions | 9 | ▶ Output Section | 36 |
| ▶ Hardware Architecture | 9 | ▶ Modular I/O Units (MIOUs) | 42 |
| ▶ DSP16210 Architectural Overview | 9 | ▶ IORAM | 42 |
| ▶ DSP16000 Core..... | 9 | ▶ MIOU Registers | 42 |
| ▶ Clock Synthesizer (PLL) | 9 | ▶ MIOU Commands | 43 |
| ▶ Dual-Port RAM (DPRAM) | 9 | ▶ I/O Buffer Configuration | 45 |
| ▶ Internal Boot ROM (IROM) | 12 | ▶ Length Counters and MIOU Interrupts..... | 46 |
| ▶ IORAM and Modular I/O Units (MIOUs) | 12 | ▶ DMA Input Flow Control..... | 46 |
| ▶ External Memory Interface (EMI) | 12 | ▶ DMA Output Flow Control..... | 47 |
| ▶ Bit I/O (BIO) Unit..... | 13 | ▶ MIOU Performance..... | 47 |
| ▶ Enhanced Serial I/O (ESIO) Unit | 13 | ▶ Powering Down an MIOU | 47 |
| ▶ Simple Serial I/O (SSIO) Unit | 13 | ▶ MIOU Command Latencies..... | 48 |
| ▶ Parallel Host Interface (PHIF16)..... | 13 | ▶ Simple Serial I/O (SSIO) Unit | 49 |
| ▶ Timers..... | 13 | ▶ Programmable Modes..... | 49 |
| ▶ Test Access Port (JTAG) | 13 | ▶ Parallel Host Interface (PHIF16)..... | 49 |
| ▶ Hardware Development System (HDS) | 13 | ▶ Programmability | 50 |
| ▶ Pin Multiplexing..... | 13 | ▶ Bit Input/Output Unit (BIO)..... | 52 |
| ▶ DSP16000 Core Architectural Overview..... | 14 | ▶ Pin Multiplexing..... | 53 |
| ▶ System Control and Cache (SYS) | 14 | ▶ Timers..... | 53 |
| ▶ Data Arithmetic Unit (DAU)..... | 14 | ▶ Hardware Development System (HDS) | 54 |
| ▶ Y-Memory Space Address Arithmetic Unit (YAAU) | 15 | ▶ JTAG Test Port | 54 |
| ▶ X-Memory Space Address Arithmetic Unit (XAAU) | 15 | ▶ Clock Synthesis | 56 |
| ▶ Reset | 18 | ▶ Phase-Lock Loop (PLL) Operation | 58 |
| ▶ Reset After Powerup or Power Interruption | 18 | ▶ Phase-Lock Loop (PLL) Operating Frequency | 58 |
| ▶ RSTB Pin Reset..... | 18 | ▶ Phase-Lock Loop (PLL) Locking..... | 58 |
| ▶ JTAG Controller Reset..... | 19 | ▶ Phase-Lock Loop (PLL) Programming Restrictions | 59 |
| ▶ Interrupts and Trap | 20 | ▶ Phase-Lock Loop (PLL) Programming Example | 60 |
| ▶ Interrupt Registers | 20 | ▶ Phase-Lock Loop (PLL) Frequency Accuracy and Jitter | 60 |
| ▶ Clearing Interrupts | 23 | ▶ Phase-Lock Loop (PLL) Power Connections ... | 60 |
| ▶ Interrupt Request Clearing Latency | 23 | ▶ Power Management..... | 61 |
| ▶ INT[3:0] and TRAP Pins | 24 | ▶ The powerc Control Register Bits | 61 |
| ▶ Low-Power Standby Mode..... | 24 | ▶ STOP Pin | 63 |
| ▶ Memory Maps | 25 | ▶ PLL Powerdown..... | 63 |
| ▶ Boot from External ROM..... | 27 | ▶ AWAIT Bit of the alf Register..... | 63 |
| ▶ Data Memory Map Selection | 27 | ▶ Power Management Examples | 63 |
| ▶ External Memory Interface (EMI)..... | 27 | ▶ Software Architecture | 69 |
| ▶ Latency for Programming mwait and ioc Registers..... | 27 | ▶ Instruction Set Quick Reference | 69 |
| ▶ Programmable Access Time..... | 28 | ▶ Conditions Based on the State of Flags..... | 85 |
| ▶ READY Pin Enables | 28 | ▶ Registers..... | 86 |
| ▶ Enable Delays..... | 28 | ▶ Peripheral Register Write-Read Latency | 86 |
| ▶ Memory Map Selection | 28 | ▶ Register Overview..... | 86 |
| ▶ RWN Advance | 29 | ▶ Register Settings..... | 91 |
| ▶ CKO Pin Configuration | 29 | ▶ Reset States | 113 |
| ▶ Write Data Drive Delay | 29 | ▶ RB Field Encoding | 115 |
| ▶ Functional Timing | 29 | ▶ Pin Information | 116 |
| ▶ READY Pin | 31 | | |

Table of Contents (continued)

| Contents | Page | Contents | Page |
|---|-------------|---|-------------|
| ➤ Signal Descriptions | 121 | ➤ Power Dissipation | 137 |
| ➤ System Interface and Control I/O Interface | 122 | ➤ Timing Characteristics and Requirements | 138 |
| ➤ System Interface | 122 | ➤ Phase-Lock Loop | 139 |
| ➤ Control I/O Interface | 122 | ➤ Wake-Up Latency | 140 |
| ➤ External Memory Interface..... | 123 | ➤ DSP Clock Generation..... | 141 |
| ➤ ESIO Interface | 123 | ➤ Reset Circuit | 142 |
| ➤ SSIO Interface | 124 | ➤ Reset Synchronization..... | 143 |
| ➤ PHIF16 Interface..... | 125 | ➤ JTAG..... | 144 |
| ➤ JTAG Test Interface..... | 125 | ➤ Interrupt and Trap | 145 |
| ➤ DSP16210 Boot Routines | 126 | ➤ Bit I/O..... | 146 |
| ➤ Commands | 127 | ➤ External Memory Interface..... | 147 |
| ➤ Device Characteristics | 133 | ➤ PHIF16..... | 153 |
| ➤ Absolute Maximum Ratings | 133 | ➤ Simple Serial I/O..... | 161 |
| ➤ Handling Precautions..... | 133 | ➤ Enhanced Serial I/O..... | 166 |
| ➤ Recommended Operating Conditions..... | 133 | ➤ Outline Diagrams..... | 170 |
| ➤ Package Thermal Considerations..... | 134 | ➤ 144-Pin TQFP Outline Diagram..... | 170 |
| ➤ Electrical Characteristics and Requirements | 135 | | |

List of Figures

| Figures | Page |
|--|------|
| ➤ Figure 1. DSP16210 Block Diagram..... | 10 |
| ➤ Figure 2. DSP16000 Core Block Diagram..... | 16 |
| ➤ Figure 3. INT[3:0] and TRAP Timing..... | 24 |
| ➤ Figure 4. Interleaved Internal DPRAM..... | 25 |
| ➤ Figure 5. X-Memory Space Memory Map..... | 25 |
| ➤ Figure 6. Y-Memory Space Memory Maps..... | 26 |
| ➤ Figure 7. Input Control Signal Conditioning..... | 33 |
| ➤ Figure 8. Frame Sync Timing with ILEV = ISLEV = 0 and ISDLY = 1..... | 33 |
| ➤ Figure 9. Input Functional Timing..... | 33 |
| ➤ Figure 10. Input Demultiplexer (IDMX) and Register File Structure..... | 34 |
| ➤ Figure 11. Serial Input Clocking Example..... | 35 |
| ➤ Figure 12. Output Control Signal Conditioning..... | 37 |
| ➤ Figure 13. Output Functional Timing..... | 37 |
| ➤ Figure 14. Output Multiplexer (OMX) and Register File Structure..... | 38 |
| ➤ Figure 15. Serial Output Clocking Example..... | 40 |
| ➤ Figure 16. Modular I/O Units..... | 42 |
| ➤ Figure 17. Input and Output Buffer Configuration in IORAM<0,1>..... | 45 |
| ➤ Figure 18. Clock Synthesizer (PLL) Block Diagram..... | 56 |
| ➤ Figure 19. Internal Clock Selection and Disable Logic..... | 57 |
| ➤ Figure 20. Allowable States and State Changes of pllc Register Fields..... | 59 |
| ➤ Figure 21. Power Management and Clock Distribution..... | 62 |
| ➤ Figure 22. Interpretation of the Instruction Set Summary Table..... | 70 |
| ➤ Figure 23. DSP16210 Program-Accessible Registers..... | 87 |
| ➤ Figure 24. DSP16210 144-Pin TQFP Pin Diagram (Top View)..... | 116 |
| ➤ Figure 25. DSP16210 Pinout by Interface..... | 121 |
| ➤ Figure 26. Plot of V_{OH} vs. I_{OH} Under Typical Operating Conditions..... | 136 |
| ➤ Figure 27. Plot of V_{OL} vs. I_{OL} Under Typical Operating Conditions..... | 136 |
| ➤ Figure 28. I/O Clock Timing Diagram..... | 141 |
| ➤ Figure 29. Powerup Reset and Device Reset Timing Diagram..... | 142 |
| ➤ Figure 30. Reset Synchronization Timing..... | 143 |
| ➤ Figure 31. JTAG I/O Timing Diagram..... | 144 |
| ➤ Figure 32. Interrupt and Trap Timing Diagram..... | 145 |
| ➤ Figure 33. Write Outputs Followed by Read Inputs (cbit = IMMEDIATE; a1 = sbit) Timing Characteristics.... | 146 |
| ➤ Figure 34. Enable Transition Timing..... | 147 |
| ➤ Figure 35. External Memory Data Read Timing Diagram (No Delayed Enable)..... | 148 |
| ➤ Figure 36. External Memory Data Read Timing Diagram (Delayed Enable)..... | 149 |
| ➤ Figure 37. External Memory Data Write Timing Diagram (DENB2 = 0, DENB1 = 0, DENB0 = 0)..... | 150 |
| ➤ Figure 38. External Memory Data Write Timing Diagram (DENB2 = 0, DENB1 = 1, DENB0 = 0)..... | 151 |
| ➤ Figure 39. READY Extended Read Cycle Timing..... | 152 |
| ➤ Figure 40. PHIF16 <i>Intel</i> Mode Signaling (Read and Write) Timing Diagram..... | 153 |
| ➤ Figure 41. PHIF16 <i>Intel</i> Mode Signaling (Pulse Period and Flags) Timing Diagram..... | 155 |
| ➤ Figure 42. PHIF16 <i>Motorola</i> Mode Signaling (Read and Write) Timing Diagram..... | 156 |
| ➤ Figure 43. PHIF16 <i>Motorola</i> Mode Signaling (Pulse Period and Flags) Timing Diagram..... | 158 |
| ➤ Figure 44. PHIF16 <i>Intel</i> or <i>Motorola</i> Mode Signaling (Status Register Read) Timing Diagram..... | 159 |
| ➤ Figure 45. PIBF and POBE Reset Timing Diagram..... | 160 |
| ➤ Figure 46. POBE and PIBF Disable Timing Diagram..... | 160 |
| ➤ Figure 47. SSIO Passive Mode Input Timing Diagram..... | 161 |
| ➤ Figure 48. SSIO Active Mode Input Timing Diagram..... | 162 |
| ➤ Figure 49. SSIO Passive Mode Output Timing Diagram..... | 163 |
| ➤ Figure 50. SSIO Active Mode Output Timing Diagram..... | 164 |
| ➤ Figure 51. Serial I/O Active Mode Clock Timing..... | 165 |

List of Figures (continued)

| Figure | Page |
|--|-------------|
| ▶ Figure 52. Simple Mode Input Timing Diagram | 166 |
| ▶ Figure 53. Simple Mode Output Timing Diagram | 167 |
| ▶ Figure 54. Frame Mode Input Timing Diagram | 168 |
| ▶ Figure 55. Frame Mode Output Timing Diagram | 169 |

List of Tables

| Tables | Page |
|--|------|
| ▶ Table 1. DSP16210 Block Diagram Legend..... | 11 |
| ▶ Table 2. DSP16000 Core Block Diagram Legend..... | 17 |
| ▶ Table 3. State of Device Output and Bidirectional Pins During and After Reset..... | 19 |
| ▶ Table 4. Interrupt and User Trap Vector Table..... | 21 |
| ▶ Table 5. Interrupt Control 0 and 1 (inc0 , inc1) Registers | 22 |
| ▶ Table 6. Interrupt Status (ins) Register..... | 22 |
| ▶ Table 7. Interrupt Request Clearing Latency..... | 23 |
| ▶ Table 8. Access Time and Wait-States | 28 |
| ▶ Table 9. Wait-States..... | 31 |
| ▶ Table 10. ESIO Memory Map (Input Section) | 32 |
| ▶ Table 11. Input Channel Start Bit Registers | 35 |
| ▶ Table 12. ESIO Memory Map (Output Section)..... | 36 |
| ▶ Table 13. Output Channel Start Bit Registers | 39 |
| ▶ Table 14. ESIO Interrupts..... | 41 |
| ▶ Table 15. Instructions for Programming MIOU Registers..... | 42 |
| ▶ Table 16. MIOU<0,1> 16-Bit Directly Program-Accessible Registers..... | 43 |
| ▶ Table 17. MIOU Write-Only Command-Accessible Registers | 43 |
| ▶ Table 18. MIOU<0,1> Command (mcmd<0,1>) Register..... | 44 |
| ▶ Table 19. Effect of Reset on MIOU Interrupts and Registers | 44 |
| ▶ Table 20. MIOU Interrupts..... | 46 |
| ▶ Table 21. MIOU Command Latencies | 48 |
| ▶ Table 22. PHIF16 Output Function..... | 51 |
| ▶ Table 23. PHIF16 Input Function | 51 |
| ▶ Table 24. PHIF16 Status (PSTAT) Register | 51 |
| ▶ Table 25. BIO Operations..... | 52 |
| ▶ Table 26. BIO Flags | 52 |
| ▶ Table 27. JTAG Boundary-Scan Register | 55 |
| ▶ Table 28. Clock Source Selection | 56 |
| ▶ Table 29. pllc Field Values Nbits[2:0] and Mbits[2:0]..... | 58 |
| ▶ Table 30. Example Calculation of M and N | 60 |
| ▶ Table 31. DSP16210 Instruction Groups..... | 69 |
| ▶ Table 32. Instruction Set Summary | 71 |
| ▶ Table 33. Notation Conventions for Instruction Set Descriptions | 77 |
| ▶ Table 34. Overall Replacement Table..... | 78 |
| ▶ Table 35. F1 Instruction Syntax..... | 81 |
| ▶ Table 36. F1E Function Statement Syntax..... | 83 |
| ▶ Table 37. DSP16210 Conditional Mnemonics..... | 85 |
| ▶ Table 38. Program-Accessible Registers by Type, Listed Alphabetically | 88 |
| ▶ Table 39. ESIO Memory-Mapped Registers | 90 |
| ▶ Table 40. MIOU-Accessible Registers | 90 |
| ▶ Table 41. DMA-Accessible Registers..... | 90 |
| ▶ Table 42. alf Register..... | 91 |
| ▶ Table 43. auc0 (Arithmetic Unit Control 0) Register | 92 |
| ▶ Table 44. auc1 (Arithmetic Unit Control 1) Register | 93 |
| ▶ Table 45. cbit (BIO Control) Register | 94 |
| ▶ Table 46. cstate (Cache State) Register | 94 |
| ▶ Table 47. ICR (ESIO Input Control) Register | 95 |
| ▶ Table 48. ICSB<0—7> (ESIO Input Channel Start Bit) Registers..... | 96 |
| ▶ Table 49. ICSL<0—1> (ESIO Input Channel Sample Length) Registers..... | 96 |
| ▶ Table 50. ICVV (ESIO Input Channel Valid Vector) Register..... | 96 |
| ▶ Table 51. ID (JTAG Identification) Register..... | 97 |

List of Tables (continued)

| Tables | Page |
|--|------|
| ▶ Table 52. inc $\langle 0-1 \rangle$ (Interrupt Control) Registers | 97 |
| ▶ Table 53. ins (Interrupt Status) Register | 98 |
| ▶ Table 54. ioc (I/O Configuration) Register | 99 |
| ▶ Table 55. mcmd $\langle 0-1 \rangle$ (MIOU $\langle 0-1 \rangle$ Command) Registers | 100 |
| ▶ Table 56. miwp $\langle 0-1 \rangle$ (MIOU $\langle 0-1 \rangle$ IORAM Input Write Pointer) Registers..... | 100 |
| ▶ Table 57. morp $\langle 0-1 \rangle$ (MIOU $\langle 0-1 \rangle$ IORAM Output Read Pointer) Registers | 101 |
| ▶ Table 58. mwait (EMI Configuration) Register..... | 101 |
| ▶ Table 59. OCR (ESIO Output Control) Register..... | 102 |
| ▶ Table 60. OCSB $\langle 0-7 \rangle$ (ESIO Output Channel Start Bit) Registers | 103 |
| ▶ Table 61. OCSL $\langle 0-1 \rangle$ (ESIO Output Channel Sample Length) Registers | 103 |
| ▶ Table 62. OCVV (ESIO Output Channel Valid Vector) Register | 103 |
| ▶ Table 63. PHIFC (PHIF16 Control) Register | 104 |
| ▶ Table 64. pll c (Phase-Lock Loop Control) Register..... | 105 |
| ▶ Table 65. powerc (Power Control) Register | 106 |
| ▶ Table 66. PSTAT (PHIF16 Status) Register | 106 |
| ▶ Table 67. psw0 (Processor Status Word 0) Register..... | 107 |
| ▶ Table 68. psw1 (Processor Status Word 1) Register..... | 108 |
| ▶ Table 69. sbit (BIO Status/Control) Register | 109 |
| ▶ Table 70. SSIOC (SSIO Control) Register | 110 |
| ▶ Table 71. timer $\langle 0,1 \rangle$ (TIMER $\langle 0,1 \rangle$ Running Count) Register | 111 |
| ▶ Table 72. timer $\langle 0,1 \rangle$ c (TIMER $\langle 0,1 \rangle$ Control) Register | 111 |
| ▶ Table 73. vsw (Viterbi Support Word) Register | 112 |
| ▶ Table 74. Core Register States After Reset—40-bit Registers | 113 |
| ▶ Table 75. Core Register States After Reset—32-bit Registers | 113 |
| ▶ Table 76. Core Register States After Reset—20-bit Registers | 113 |
| ▶ Table 77. Core Register States After Reset—16-bit Registers | 114 |
| ▶ Table 78. Peripheral (Off-Core) Register States After Reset | 114 |
| ▶ Table 79. RB Field..... | 115 |
| ▶ Table 80. Pin Descriptions | 117 |
| ▶ Table 81. Command Encoding for Boot Routines | 127 |
| ▶ Table 82. Absolute Maximum Ratings..... | 133 |
| ▶ Table 83. Recommended Operating Conditions | 133 |
| ▶ Table 84. Package Thermal Considerations | 134 |
| ▶ Table 85. Electrical Characteristics and Requirements..... | 135 |
| ▶ Table 86. Power Dissipation..... | 137 |
| ▶ Table 87. Frequency Ranges for PLL Output..... | 139 |
| ▶ Table 88. PLL Loop Filter Settings and Lock-In Time | 139 |
| ▶ Table 89. Wake-Up Latency..... | 140 |
| ▶ Table 90. Timing Requirements for Input Clock..... | 141 |
| ▶ Table 91. Timing Characteristics for Input Clock and Output Clock..... | 141 |
| ▶ Table 92. Timing Requirements for Powerup Reset and Device Reset | 142 |
| ▶ Table 93. Timing Characteristics for Powerup Reset and Device Reset..... | 142 |
| ▶ Table 94. Timing Requirements for Reset Synchronization Timing | 143 |
| ▶ Table 95. Timing Requirements for JTAG I/O | 144 |
| ▶ Table 96. Timing Characteristics for JTAG I/O..... | 144 |
| ▶ Table 97. Timing Requirements for Interrupt and Trap | 145 |
| ▶ Table 98. Timing Characteristics for Interrupt and Trap..... | 145 |
| ▶ Table 99. Timing Requirements for BIO Input Read | 146 |
| ▶ Table 100. Timing Characteristics for BIO Output..... | 146 |
| ▶ Table 101. Timing Characteristics for Memory Enables and RWN..... | 147 |
| ▶ Table 102. Timing Characteristics for External Memory Access (DENB = 0) | 148 |

List of Tables (continued)

| Tables | Page |
|--|-------------|
| ▶ Table 103. Timing Requirements for External Memory Read (DENB = 0)..... | 148 |
| ▶ Table 104. Timing Characteristics for External Memory Access (DENB = 1) | 149 |
| ▶ Table 105. Timing Requirements for External Memory Read (DENB = 1)..... | 149 |
| ▶ Table 106. Timing Characteristics for External Memory Data Write (RWNADV = 0, DENB = 0)..... | 150 |
| ▶ Table 107. Timing Characteristics for External Memory Data Write (RWNADV = 1, DENB = 1)..... | 151 |
| ▶ Table 108. Timing Requirements for READY Extended Read Cycle Timing | 152 |
| ▶ Table 109. Timing Requirements for PHIF16 <i>Intel</i> Mode Signaling (Read and Write)..... | 153 |
| ▶ Table 110. Timing Characteristics for PHIF16 <i>Intel</i> Mode Signaling (Read and Write) | 154 |
| ▶ Table 111. Timing Requirements for PHIF16 <i>Intel</i> Mode Signaling (Pulse Period and Flags)..... | 155 |
| ▶ Table 112. Timing Characteristics for PHIF16 <i>Intel</i> Mode Signaling (Pulse Period and Flags) | 155 |
| ▶ Table 113. Timing Requirements for PHIF16 <i>Motorola</i> Mode Signaling (Read and Write)..... | 156 |
| ▶ Table 114. Timing Characteristics for PHIF16 <i>Motorola</i> Mode Signaling (Read and Write) | 157 |
| ▶ Table 115. Timing Characteristics for PHIF16 <i>Motorola</i> Mode Signaling (Pulse Period and Flags)..... | 158 |
| ▶ Table 116. Timing Requirements for PHIF16 <i>Motorola</i> Mode Signaling (Pulse Period and Flags) | 158 |
| ▶ Table 117. Timing Requirements for <i>Intel</i> and <i>Motorola</i> Mode Signaling (Status Register Read)..... | 159 |
| ▶ Table 118. Timing Characteristics for <i>Intel</i> and <i>Motorola</i> Mode Signaling (Status Register Read) | 159 |
| ▶ Table 119. PHIF16 Timing Characteristics for PIBF and POBE Reset | 160 |
| ▶ Table 120. PHIF16 Timing Characteristics for POBE and PIBF Disable | 160 |
| ▶ Table 121. Timing Requirements for Serial Inputs (Passive Mode)..... | 161 |
| ▶ Table 122. Timing Characteristics for Serial Outputs (Passive Mode)..... | 161 |
| ▶ Table 123. Timing Requirements for Serial Inputs (Active Mode)..... | 162 |
| ▶ Table 124. Timing Characteristics for Serial Outputs (Active Mode) | 162 |
| ▶ Table 125. Timing Requirements for Serial Inputs (Passive Mode)..... | 163 |
| ▶ Table 126. Timing Characteristics for Serial Outputs (Passive Mode)..... | 163 |
| ▶ Table 127. Timing Characteristics for Serial Output (Active Mode) | 164 |
| ▶ Table 128. Timing Characteristics for Signal Generation (Active Mode) | 165 |
| ▶ Table 129. Timing Requirements for ESIO Simple Input Mode | 166 |
| ▶ Table 130. Timing Characteristics for ESIO Simple Input Mode | 166 |
| ▶ Table 131. Timing Requirements for ESIO Simple Output Mode | 167 |
| ▶ Table 132. Timing Characteristics for ESIO Simple Output Mode | 167 |
| ▶ Table 133. Timing Requirements for ESIO Frame Input Mode | 168 |
| ▶ Table 134. Timing Characteristics for ESIO Frame Input Mode | 168 |
| ▶ Table 135. Timing Requirements for ESIO Frame Output Mode | 169 |
| ▶ Table 136. Timing Characteristics for ESIO Frame Output Mode..... | 169 |

Notation Conventions

The following notation conventions apply to this data sheet:

| | |
|-----------------|--|
| lower-case | Registers that are directly writable or readable by DSP16210 core instructions are lower-case. |
| UPPER-CASE | Device flags, I/O pins, and registers that are not directly writable or readable by DSP16210 core instructions are upper-case. |
| boldface | Register names and DSP16210 core instructions are printed in boldface when used in text descriptions. |
| <i>italics</i> | Documentation variables that are replaced are printed in italics. |
| courier | DSP16210 program examples are printed in courier font. |
| [] | Square brackets enclose a range of numbers that represents multiple bits in a single register or bus. The range of numbers is delimited by a colon. For example, ioc [7:5] are bits 7—5 of the program-accessible ioc register. |
| < > | Angle brackets enclose a list of items delimited by commas or a range of items delimited by a dash (—), one of which is selected if used in an instruction. For example, ICSB <0—7> represents the eight memory-mapped registers ICSB0 , ICSB1 , . . . , ICSB7 , and the general instruction aTE <h,l> = RB can be replaced with a0h = timer0 . |

Hardware Architecture

The DSP16210 device is a 16-bit fixed-point programmable digital signal processor (DSP). The DSP16210 consists of a DSP16000 core together with on-chip memory and peripherals. Advanced architectural features with an expanded instruction set deliver a dramatic increase in performance for signal coding algorithms. This increase in performance together with an efficient design implementation results in an extremely cost- and power-efficient solution for wireless and multimedia applications.

DSP16210 Architectural Overview

Figure 1 on page 10 shows a block diagram of the DSP16210. The following blocks make up this device.

DSP16000 Core

The DSP16000 core is the signal-processing engine of the DSP16210. It is a modified Harvard architecture with separate sets of buses for the instruction/coefficient (X-memory) and data (Y-memory) spaces. Each set of buses has 20 bits of address and 32 bits of data. The core contains data and address arithmetic units and control for on-chip memory and peripherals.

Clock Synthesizer (PLL)

The DSP16210 exits device reset with an input clock (CKI) as the source for the internal clock (CLK). An on-chip clock synthesizer (PLL) that runs at a frequency multiple of CKI can also be used to generate CLK. The clock synthesizer is deselected and powered down on reset. For low-power operation, an internally generated slow clock can drive the DSP.

The clock synthesizer and other programmable clock sources are discussed in [Clock Synthesis beginning on page 56](#). The use of these programmable clock sources for power management is discussed in [Power Management beginning on page 61](#).

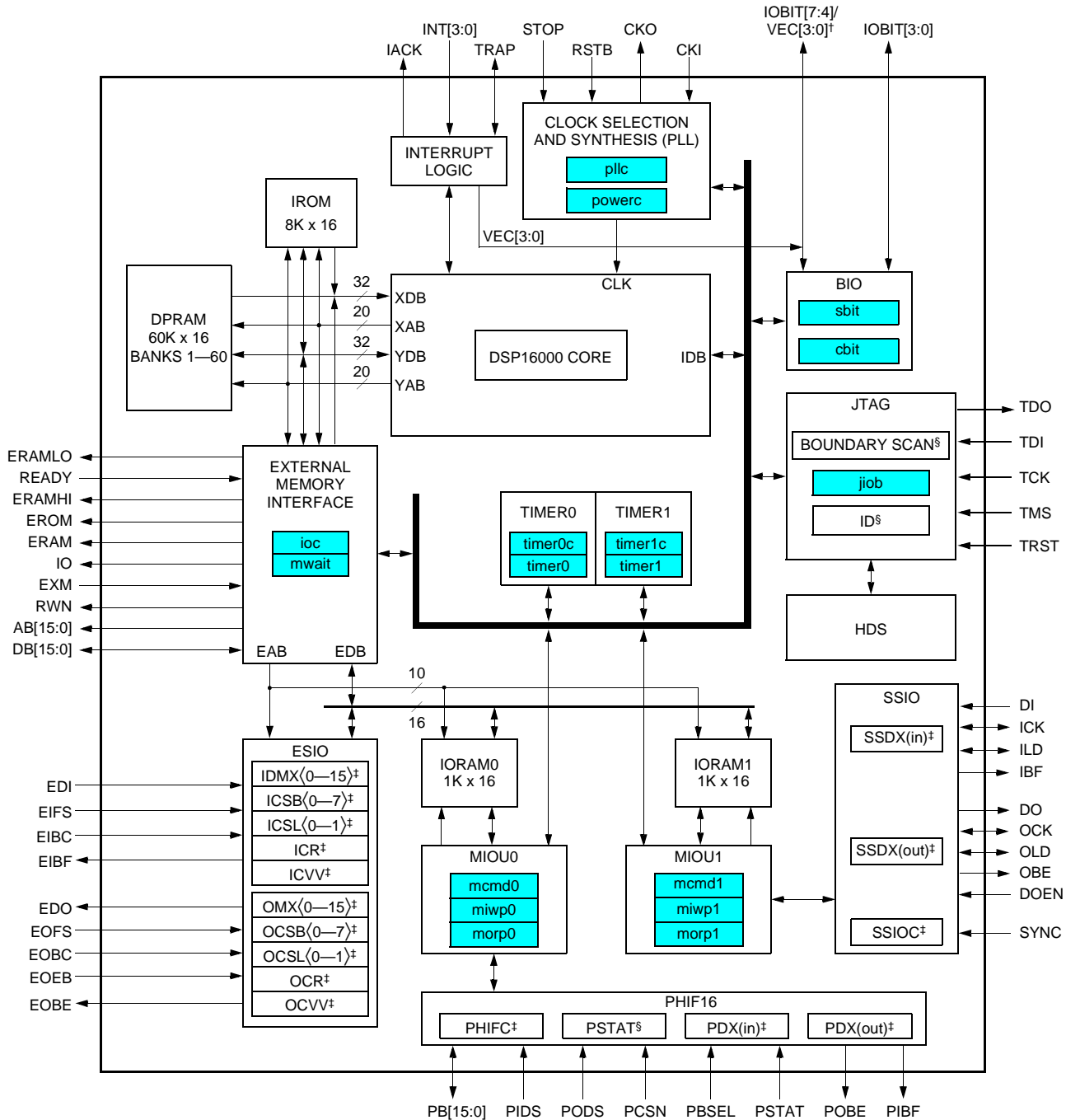
Dual-Port RAM (DPRAM)

This block contains 60 banks (banks 1—60) of zero wait-state memory. Each bank consists of 1K 16-bit words and has separate address and data ports to the instruction/coefficient (X-memory) and data (Y-memory) spaces. DPRAM is organized into even and odd interleaved banks where each even/odd pair is a 32-bit wide module (see [Figure 4 on page 25](#) for details). Placing instructions and Y-memory data in the same 2K module of DPRAM is not supported and may cause undefined results.

A program can be downloaded from slow off-chip memory into DPRAM, and then executed without wait-states. DPRAM is also useful for improving convolution performance in cases where the coefficients are adaptive. Since DPRAM can be downloaded through the JTAG port, full-speed remote in-circuit emulation is possible.

Hardware Architecture (continued)

DSP16210 Architectural Overview (continued)



† VEC0 corresponds to IOBIT7, VEC1 corresponds to IOBIT6, VEC2 corresponds to IOBIT5, and VEC3 corresponds to IOBIT4.
‡ These registers are not directly program accessible.
§ These registers are accessible through pins only.

Figure 1. DSP16210 Block Diagram

Hardware Architecture (continued)

DSP16210 Architectural Overview (continued)

Table 1. DSP16210 Block Diagram Legend

| Symbol | Description |
|-------------------------|---|
| BIO | Bit I/O Unit |
| cbit | BIO Control Register |
| CLK | Internal Clock Signal |
| DPRAM | Dual-port Random-Access Memory |
| EAB | EMI Address Bus |
| EDB | EMI Data Bus |
| ESIO | Enhanced Serial I/O Unit |
| HDS | Hardware Development System Unit |
| ICR | ESIO Input Control Register |
| ICSB<0—7> | ESIO Input Channel Start Bit Registers |
| ICSL<0—1> | ESIO Input Channel Sample Length Registers |
| ICVV | ESIO Input Channel Valid Vector Register |
| IDMX<0—15> | ESIO Input Demultiplexer Registers |
| ID | JTAG Device Identification Register |
| IDB | Internal Data Bus |
| ioc | I/O Configuration Register |
| IORAM0 | Internal I/O RAM 0: Shared with MIOU0 |
| IORAM1 | Internal I/O RAM 1: Shared with MIOU1 |
| IROM | Internal Boot Read-Only Memory |
| jio | JTAG Test Register |
| JTAG | JTAG Test Port |
| MIOU0 | Modular I/O Unit 0: Controls PHIF16 |
| mcmd0 | MIOU0 Command Register |
| miwp0 | MIOU0 IORAM0 Input Write Pointer |
| morp0 | MIOU0 IORAM0 Output Read Pointer |
| MIOU1 | Modular I/O Unit 1: Controls SSIO |
| mcmd1 | MIOU1 Command Register |
| miwp1 | MIOU1 IORAM1 Input Write Pointer |
| morp1 | MIOU1 IORAM1 Output Read Pointer |
| mwait | EMI Configuration Register |
| OCR | ESIO Output Control Register |
| OCSB<0—7> | ESIO Output Channel Start Bit Registers |
| OCSL<0—1> | ESIO Output Channel Sample Length Registers |
| OCVV | ESIO Output Channel Valid Vector Register |
| OMX<0—15> | ESIO Output Multiplexer Registers |
| PDX(in) | PHIF16 Input Register; Readable by MIOU0 |
| PDX(out) | PHIF16 Output Register; Writable by MIOU0 |
| PHIF16 | 16-bit Parallel Host Interface |
| PHIFC | PHIF16 Control Register: Programmed Through MIOU0 |
| PLL | Phase-Lock Loop |
| pllc | Phase-Lock Loop Control Register |

Hardware Architecture (continued)

DSP16210 Architectural Overview (continued)

Table 1. DSP16210 Block Diagram Legend (continued)

| Symbol | Description |
|------------------|---|
| powerc | Power Control Register |
| PSTAT | PHIF16 Status Register |
| sbit | BIO Status/Control Register |
| SSDX(in) | SSIO Input Register; Readable by MIOU1 |
| SSDX(out) | SSIO Output Register; Writable by MIOU1 |
| SSIO | Simple Serial I/O Unit |
| SSIOC | SSIO Control Register: Programmed Through MIOU1 |
| TIMER0 | Programmable Timer 0 |
| timer0 | Timer Running Count Register for TIMER0 |
| timer0c | Timer Control Register for TIMER0 |
| TIMER1 | Programmable Timer 1 |
| timer1 | Timer Running Count Register for TIMER1 |
| timer1c | Timer Control Register for TIMER1 |
| XAB | X-Memory Space Address Bus |
| XDB | X-Memory Space Data Bus |
| YAB | Y-Memory Space Address Bus |
| YDB | Y-Memory Space Data Bus |

Internal Boot ROM (IROM)

The DSP16210 includes a boot ROM that contains hardware development code and boot routines. The boot routines are available for use by the programmer and are detailed in [DSP16210 Boot Routines beginning on page 126](#).

IORAM and Modular I/O Units (MIOUs)

IORAM storage consists of two 1 Kword banks of memory, IORAM0 and IORAM1. Each IORAM bank has two 16-bit data and two 10-bit address ports; an IORAM bank can be shared with the core and a modular I/O unit (MIOU) to implement a DMA-based I/O system. IORAM supports concurrent core execution and MIOU I/O processing.

MIOU0 (controls PHIF16) is attached to IORAM0; MIOU1 (controls SSIO) is attached to IORAM1. Portions of IORAM not dedicated to I/O processing can be used as general-purpose data storage.

Placing instructions and Y-memory data in the same IORAM is not supported and may cause undefined results.

The IORAMs and MIOUs are described in detail in [Modular I/O Units \(MIOUs\) beginning on page 42](#).

External Memory Interface (EMI)

The EMI connects the DSP16210 to external memory and I/O devices. It multiplexes the two sets of core buses (X and Y) onto a single set of external buses—a 16-bit address bus (AB[15:0]) and 16-bit data bus (DB[15:0]). These external buses can access external RAM (ERAMHI/ERAMLO), external ROM (EROM), and memory-mapped I/O space (IO).

The EMI also manages the on-chip IORAM and ESIO storage. It multiplexes the two sets of core buses onto a single set of internal buses—a 10-bit address bus (EAB[9:0]) and 16-bit data bus (EDB[15:0])—to interface to the IORAMs and ESIO memory-mapped registers.

Instructions can transparently reference external memory, IORAM, and ESIO storage from either set of core buses. The EMI automatically translates a single 32-bit access into two 16-bit accesses and vice versa.

The EMI is described in detail in [External Memory Interface \(EMI\) beginning on page 27](#).

Hardware Architecture (continued)

DSP16210 Architectural Overview (continued)

Bit I/O (BIO) Unit

The BIO unit provides convenient and efficient monitoring and control of eight individually configurable pins (IOBIT[7:0]). When configured as outputs, the pins can be individually set, cleared, or toggled. When configured as inputs, individual pins or combinations of pins can be tested for patterns. Flags returned by the BIO are testable by conditional instructions. See [Bit Input/Output Unit \(BIO\) beginning on page 52](#) for more details.

Enhanced Serial I/O (ESIO) Unit

The ESIO is a programmable, hardware-managed, passive, double-buffered full-duplex serial input/output port designed to support glueless multichannel I/O processing on a TDM (time-division multiplex) highway. In simple mode, the ESIO supports data rates of up to 26 Mbits/s for a single channel with either 8-bit or 16-bit data lengths. In frame mode, the ESIO processes up to 16 logical TDM channels with a data rate of up to 8.192 Mbits/s. For more information on the ESIO, see [Enhanced Serial I/O \(ESIO\) Unit beginning on page 32](#).

Simple Serial I/O (SSIO) Unit

The SSIO unit offers a full-duplex, double-buffered external channel that operates at up to 26 Mbits/s. Commercially available codecs and time-division multiplex channels can be interfaced to the SSIO with few, if any, additional components.

The SSIO is a DMA peripheral managed by MIOU1. See [Simple Serial I/O \(SSIO\) Unit beginning on page 49](#) for more information.

Parallel Host Interface (PHIF16)

The PHIF16 is a DMA peripheral managed by MIOU0. It is a passive 16-bit parallel port that can be configured to interface to either an 8- or 16-bit external bus containing other Lucent Technologies DSPs, microprocessors, or off-chip I/O devices. The PHIF16 port supports either *Motorola* or *Intel* protocols.

When operating in the 16-bit external bus configuration, PHIF16 can be programmed to swap high and low bytes. When operating in 8-bit external bus configuration, PHIF16 is accessed in either an 8-bit or 16-bit logical mode. In 16-bit mode, the host selects either a high

or low byte access; in 8-bit mode, only the low byte is accessed.

Additional software-programmable features allow for a glueless host interface to microprocessors (see [Parallel Host Interface \(PHIF16\) beginning on page 49](#)).

Timers

The two timers can be used to provide an interrupt, either single or repetitive, at the expiration of a programmed interval. More than nine orders of magnitude of interval selection are provided. The timers can be stopped and restarted at any time under program control. See [Timers beginning on page 53](#) for more information.

Test Access Port (JTAG)

The DSP16210 provides a test access port that conforms to *IEEE* 1149.1 (JTAG). The JTAG port provides boundary scan test access and also controls the Hardware Development System (HDS). See [JTAG Test Port beginning on page 54](#) for details.

Hardware Development System (HDS)

The HDS is an on-chip hardware module available for debugging assembly-language programs that execute on the DSP16000 core in real-time. The main capability of the HDS is in allowing controlled visibility into the core's state during program execution. The HDS is enhanced with powerful debugging capabilities such as complex breakpointing conditions, multiple data/address watchpoint registers, and an intelligent trace mechanism for recording discontinuities. See [Hardware Development System \(HDS\) beginning on page 54](#) for details.

Pin Multiplexing

The upper four BIO pins (IOBIT[7:4]) are multiplexed with the vectored interrupt identification pins (VEC[3:0]). Specifically, VEC0 is multiplexed with IOBIT7, VEC1 with IOBIT6, VEC2 with IOBIT5, and VEC3 with IOBIT4. VEC[3:0] are connected to the package pins and IOBIT[7:4] are disconnected immediately after device reset. To select IOBIT[7:4] to be connected to these pins, the program must set EBIO (bit 8 of the **ioc** register).

Hardware Architecture (continued)

DSP16000 Core Architectural Overview

See the *DSP16000 Digital Signal Processor Core Information Manual* for a complete description of the DSP16000 core. [Figure 2 on page 16](#) shows a block diagram of the core that consists of four major blocks: System Control and Cache (SYS), Data Arithmetic Unit (DAU), Y-Memory Space Address Arithmetic Unit (YAAU), and X-Memory Space Address Arithmetic Unit (XAAU). Bits within the **auc0** and **auc1** registers configure the DAU mode-controlled operations.

System Control and Cache (SYS)

This section consists of the control block and the cache.

The control block provides overall system coordination that is mostly invisible to the user. The control block includes an instruction decoder and sequencer, a pseudorandom sequence generator (PSG), an interrupt and trap handler, a wait-state generator, and low-power standby mode control logic. An interrupt and trap handler provides a user-locatable vector table and three levels of user-assigned interrupt priority.

SYS contains the **alf** register, which is a 16-bit register that contains AWAIT, a power-saving standby mode bit, and peripheral flags. The **inc0** and **inc1** registers are 20-bit interrupt control registers, and **ins** is a 20-bit interrupt status register.

Programs use the instruction cache to store and execute repetitive operations such as those found in an FIR or IIR filter section. The cache can contain up to 31 16-bit and 32-bit instructions. The code in the cache can repeat up to $2^{16} - 1$ times without looping overhead. Operations in the cache that require a coefficient access execute at twice the normal rate because the XAAU and its associated bus are not needed for fetching instructions. The cache greatly reduces the need for writing in-line repetitive code and, therefore, reduces instruction/coefficient memory size requirements. In addition, the use of cache reduces power consumption because it eliminates memory accesses for instruction fetches.

The **cloop** register controls the cache loop count. The **cstate** register contains the current state of the cache. The 32-bit **csave** register holds the opcode of the instruction following the loop instruction in X-memory. The cache provides a convenient, low-overhead looping structure that is interruptible, savable, and restorable. The cache is addressable in both the X and

Y memory spaces. An interrupt or trap handling routine can save and restore **cloop**, **cstate**, **csave**, and the contents of the cache.

Data Arithmetic Unit (DAU)

The DAU is a power-efficient, dual-MAC (multiply/accumulate) parallel-pipelined structure that is tailored to communications applications. It can perform two double-word (32-bit) fetches, two multiplications, and two accumulations in a single instruction cycle. The dual-MAC parallel pipeline begins with two 32-bit registers, **x** and **y**. The pipeline treats the 32-bit registers as four 16-bit signed registers if used as input to two signed 16-bit x 16-bit multipliers. Each multiplier produces a full 32-bit result stored into registers **p0** and **p1**. The DAU can direct the output of each multiplier to a 40-bit ALU or a 40-bit 3-input ADDER. The ALU and ADDER results are each stored in one of eight 40-bit accumulators, **a0** through **a7**. The ALU includes an ACS (add/compare/select) function for Viterbi decoding. The DAU can direct the output of each accumulator to the ALU/ACS, the ADDER, or a 40-bit BMU (bit manipulation unit).

The ALU implements addition, subtraction, and various logical operations. To support Viterbi decoding, the ALU has a split mode in which it computes two simultaneous 16-bit additions or subtractions. This mode, available in a specialized dual-MAC instruction, is used to compute the distance between a received symbol and its estimate.

The ACS provides the add/compare/select function required for Viterbi decoding. This unit provides flags to the traceback encoder for implementing mode-controlled side-effects for ACS operations. The source operands for the ACS are any two accumulators, and results are written back to one of the source accumulators.

The BMU implements barrel-shift, bit-field insertion, bit-field extraction, exponent extraction, normalization, and accumulator shuffling operations. **ar0** through **ar3** are auxiliary registers whose main function is to control BMU operations.

The user can enable overflow saturation to affect the multiplier output and the results of the three arithmetic units. Overflow saturation can also affect an accumulator value as it is transferred to memory or other register. These features accommodate various speech coding standards such as GSM-FR, GSM-HR, and GSM-EFR. Shifting in the arithmetic pipeline occurs at several stages to accommodate various standards for mixed- and double-precision multiplications.

Hardware Architecture (continued)

DSP16000 Core Architectural Overview

(continued)

The DAU contains control and status registers **auc0**, **auc1**, **psw0**, **psw1**, **vsw**, and **c0—c2**.

The arithmetic unit control registers **auc0** and **auc1** select or deselect various modes of DAU operation. These modes include scaling of the products, saturation on overflow, feedback to the **x** and **y** registers from accumulators **a6** and **a7**, simultaneous loading of **x** and **y** registers with the same value (used for single-cycle squaring), and clearing the low half of registers when loading the high half to facilitate fixed-point operations.

The processor status word registers **psw0** and **psw1** contain flags set by ALU/ACS, ADDER, or BMU operations. They also include information on the current status of the interrupt controller.

The **vsw** register is the Viterbi support word associated with the traceback encoder. The traceback encoder is a specialized block for accelerating Viterbi decoding. It performs mode-controlled side-effects for three MAC instruction group compare functions: **cmp0()**, **cmp1()**, and **cmp2()**. The **vsw** register controls the modes. The side-effects allow the DAU to store, with no overhead, state information necessary for traceback decoding. Side-effects use the **c1** counter, the **ar0** and **ar1** auxiliary registers, and bits 1 and 0 of **vsw**.

The **c1** and **c0** counters are 16-bit signed registers used to count events such as the number of times the program has executed a sequence of code. The **c2** register is a holding register for counter **c1**. Conditional instructions control these counters and provide a convenient method of program looping.

Y-Memory Space Address Arithmetic Unit (YAAU)

The YAAU supports high-speed, register-indirect, data memory addressing and postincrementing of the address register. Eight 20-bit pointer registers (**r0—r7**) store read or write addresses for the Y-memory space. Two sets of 20-bit registers (**rb0** and **re0**; **rb1** and **re1**) define the upper and lower boundaries of two zero-overhead circular buffers for efficient filter implementations. The **j** and **k** registers are two 20-bit signed registers that are used to hold user-defined postincrement values for **r0—r7**. Fixed increments of +1, -1, 0, +2, and -2 are also available. (Postincrement options 0 and -2 are not available for some specialized transfers. See the *DSP16000 Digital Signal Processor Core Information Manual* for details.)

The YAAU includes a 20-bit stack pointer (**sp**). The data move group includes a set of stack instructions that consists of push, pop, stack-relative, and pipelined stack-relative operations. The addressing mode used for the stack-relative instructions is register-plus-displacement indirect addressing (the displacement is optional). The displacement is specified as either an immediate value as part of the instruction or a value stored in **j** or **k**. The YAAU computes the address by adding the displacement to **sp** and leaves the contents of **sp** unchanged. The data move group also includes instructions with register-plus-displacement indirect addressing for the pointer registers **r0—r6** in addition to **sp**.

The data move group of instructions includes instructions for loading and storing any YAAU register from or to memory or another core register. It also includes instructions for loading any YAAU register with an immediate value stored with the instruction. The pointer arithmetic group of instructions allows adding of an immediate value or the contents of the **j** or **k** register to any YAAU pointer register and storing the result to any YAAU register.

X-Memory Space Address Arithmetic Unit (XAAU)

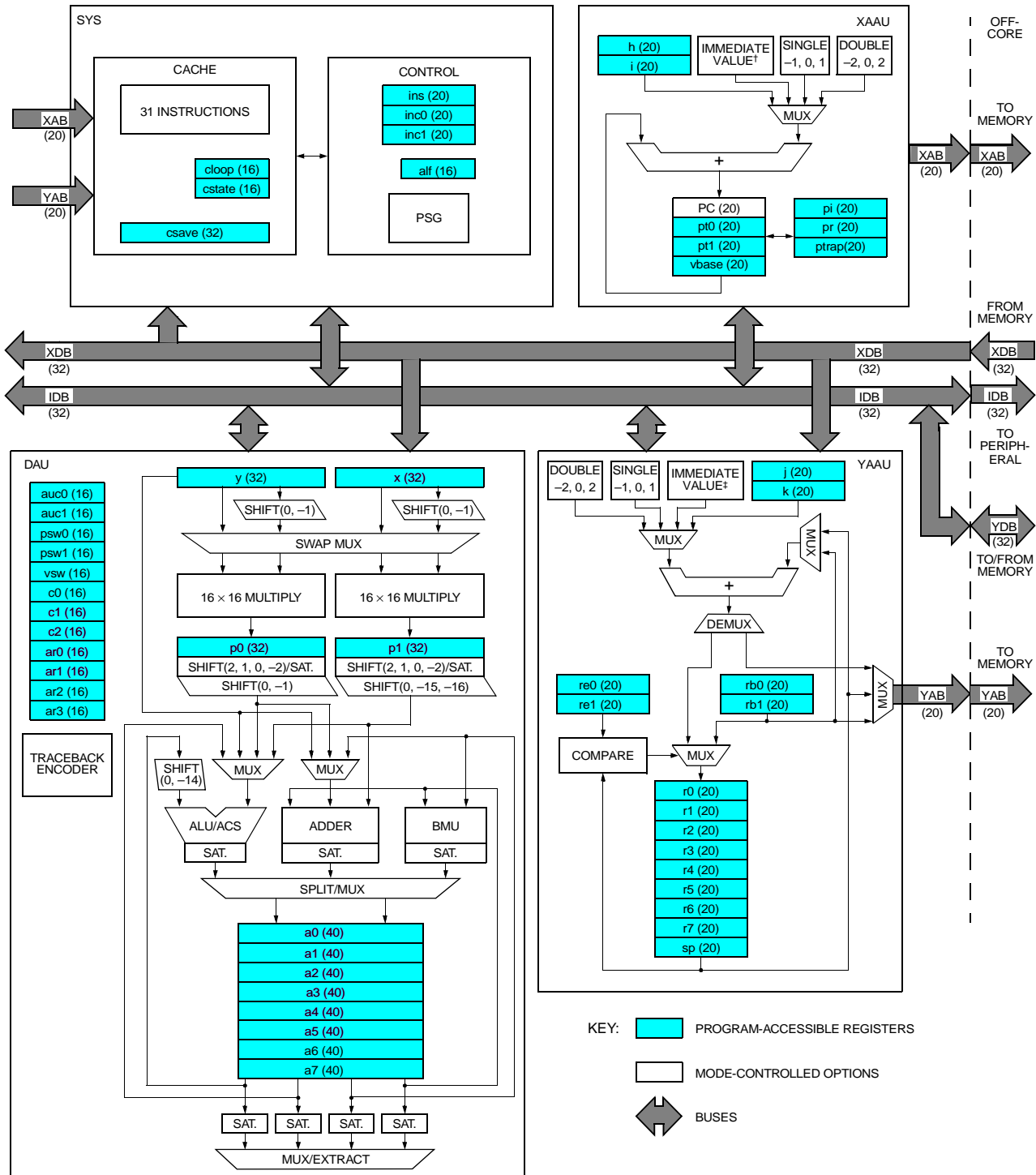
The XAAU contains registers and an adder that control the sequencing of instructions in the processor. The program counter (**PC**) automatically increments through the instruction space. The interrupt return register **pi**, the subroutine return register **pr**, and the trap return register **ptrap** are automatically loaded with return addresses that direct the return to main program execution from interrupt service routines, subroutines, and trap service routines, respectively. High-speed, register-indirect, read-only memory addressing with postincrementing is done with the **pt0** and **pt1** registers. The signed registers **h** and **i** are used to hold a user-defined signed postincrement value. Fixed postincrement values of 0, +1, -1, +2, and -2 are also available. (Postincrement options 0 and -2 are available only if the target of the data transfer is an accumulator vector. See the *DSP16000 Digital Signal Processor Core Information Manual* for details.)

The data move group of instructions includes instructions for loading and storing any XAAU register from or to memory or another core register. It also includes instructions for loading any XAAU register with an immediate value stored with the instruction.

vbase is the 20-bit vector base offset register. The user programs this register with the base address of the interrupt and trap vector table.

Hardware Architecture (continued)

DSP16000 Core Architectural Overview (continued)



† Associated with PC-relative branch addressing.
‡ Associated with register-plus-displacement indirect addressing.

Figure 2. DSP16000 Core Block Diagram

Hardware Architecture (continued)

DSP16000 Core Architectural Overview (continued)

Table 2. DSP16000 Core Block Diagram Legend

| Symbol | Name |
|-----------------------|---|
| 16 x 16 MULTIPLY | 16-bit x 16-bit Multiplier |
| a0—a7 | Accumulators 0—7 |
| ADDER | 3-input 40-bit Adder/Subtractor |
| alf | AWAIT and Flags |
| ALU/ACS | 40-bit Arithmetic Logic Unit and Add/Compare/Select Function—used in Viterbi decoding |
| ar0—ar3 | Auxiliary Registers 0—3 |
| auc0, auc1 | Arithmetic Unit Control Registers |
| BMU | 40-bit Bit Manipulation Unit |
| c0, c1 | Counters 0 and 1 |
| c2 | Counter Holding Register |
| cloop | Cache Loop Count |
| COMPARE | Comparator |
| csave | Cache Save Register |
| cstate | Cache State Register |
| DAU | Data Arithmetic Unit |
| h | Pointer Postincrement Register for the X-Memory Space |
| i | Pointer Postincrement Register for the X-Memory Space |
| IDB | Internal Data Bus |
| inc0, inc1 | Interrupt Control Registers 0 and 1 |
| ins | Interrupt Status Register |
| j | Pointer Postincrement/Offset Register for the Y-Memory Space |
| k | Pointer Postincrement/Offset Register for the Y-Memory Space |
| MUX | Multiplexer |
| p0, p1 | Product Registers 0 and 1 |
| PC | Program Counter |
| pi | Program Interrupt Return Register |
| pr | Program Return Register |
| PSG | Pseudorandom Sequence Generator |
| psw0, psw1 | Processor Status Word Registers 0 and 1 |
| pt0, pt1 | Pointers 0 and 1 to X-Memory Space |
| ptrap | Program Trap Return Register |
| r0—r7 | Pointers 0—7 to Y-Memory Space |
| rb0, rb1 | Circular Buffer Pointers 0 and 1 (begin address) |
| re0, re1 | Circular Buffer Pointers 0 and 1 (end address) |
| SAT | Saturation |
| SHIFT | Shifting Operation |
| sp | Stack Pointer |
| SPLIT/MUX | Split/Multiplexer—routes the appropriate ALU/ACS, BMU, and ADDER outputs to the appropriate accumulator |
| SWAP MUX | Swap Multiplexer—routes the appropriate data to the appropriate multiplier input |
| SYS | System Control and Cache |

Hardware Architecture (continued)

DSP16000 Core Architectural Overview (continued)

Table 2. DSP16000 Core Block Diagram Legend (continued)

| Symbol | Name |
|--------------|--|
| vbase | Vector Base Offset Register |
| vsw | Viterbi Support Word—associated with the traceback encoder |
| x | Multiplier Input Register |
| XAAU | X-Memory Space Address Arithmetic Unit |
| XAB | X-Memory Space Address Bus |
| XDB | X-Memory Space Data Bus |
| y | Multiplier Input Register |
| YAAU | Y-Memory Space Address Arithmetic Unit |
| YAB | Y-Memory Space Address Bus |
| YDB | Y-Memory Space Data Bus |

Reset

The DSP16210 has two negative-assertion external reset input pins: RSTB and TRST. RSTB is used to reset the DSP16210. The primary function of TRST is to reset the JTAG controller.

Reset After Powerup or Power Interruption

At initial powerup or if power is interrupted, a reset is required and both TRST and RSTB must be asserted (low) simultaneously for at least seven CKI cycles (see [Reset Circuit on page 142](#) for details). The TRST pin must be asserted even if the JTAG controller is not used by the application. Failure to properly reset the device on powerup or after a power interruption can lead to a loss of communication with the DSP16210 pins.

RSTB Pin Reset

Reset initializes the state of user registers, synchronizes the internal clocks, and initiates code execution. The device is properly reset by asserting RSTB (low) for at least seven CKI cycles. After RSTB is deasserted, there is a delay of several CKI cycles before the device begins executing instructions (see [Reset Synchronization on page 143](#) for details). The DSP16210 samples the state of the EXM pin when RSTB is deasserted to determine whether it boots from IROM at location 0x20000 (EXM = 0) or from EROM at location 0x80000 (EXM = 1). See [Reset States on page 113](#) for the values of the user registers after reset.

[Table 3 on page 19](#) defines the states of the output and bidirectional pins both during and after reset. It does not include the TDO output pin, because its state is not affected by RSTB but by the JTAG controller.

Reset (continued)

RSTB Pin Reset (continued)

Table 3. State of Device Output and Bidirectional Pins During and After Reset

| Type | Pin | State of Pin During Reset (RSTB = 0) | | State of Pin After Reset (RSTB 0→1) | |
|---------------------------------|---|---|--|--|--|
| Output | AB[15:0], EIBF, PIBF, IBF, IACK | 3-state | | logic low | |
| | EOBE, POBE, OBE | 3-state | | logic high | |
| | DO | 3-state | | 3-state | |
| | EDO | 3-state | | 3-state | |
| | RWN, EROM, ERAMHI, ERAMLO, ERAM, IO | INT0 = 0 (deasserted) | logic high | | logic high |
| | | INT0 = 1 (asserted) | 3-state | | |
| | CKO | INT0 = 0 (deasserted) | internal clock (CLK = CKI) [†] | | internal clock (CLK = CKI) [†] |
| INT0 = 1 (asserted) | | 3-state | | | |
| Bidirectional (Input/Output) | VEC[3:0]/IOBIT[7:4] | 3-state | | logic high [‡] | |
| | IOBIT[3:0], TRAP, OLD, OCK, ILD, ICK | 3-state | | configured as input | |
| | DB[15:0], PB[15:0] | 3-state | | 3-state | |

[†] During and after reset, the internal clock is selected as the CKI input pin and the CKO output pin is selected as the internal clock.

[‡] The **ioc** register (Table 54 on page 99) is cleared after reset, including its EBIO field that controls the multiplexing of the VEC0/IOBIT7, VEC1/IOBIT6, VEC2/IOBIT5, and VEC3/IOBIT4 pins. Therefore, after reset, these pins are configured as the VEC[3:0] outputs, which are initialized as logic high during reset.

JTAG Controller Reset

The recommended method of resetting the JTAG controller is to assert RSTB and TRST simultaneously. An alternative method is to clock TCK through at least five cycles with TMS held high. Both methods ensure that the user has control of the device pins. JTAG controller reset does not initialize user registers, synchronize

internal clocks, or initiate code execution unless RSTB is also asserted.

Reset of the JTAG controller places it in the test logic reset (TLR) state. While in the TLR state, the DSP16210 3-states all bidirectional pins, clears all boundary-scan cells for unidirectional outputs, and deasserts (high) all external memory interface enable signals (EROM, ERAM, ERAMHI, ERAMLO, and IO). This prevents logic contention.

Hardware Architecture (continued)

Interrupts and Trap

The DSP16210 supports the following interrupts and traps:

- 15 hardware interrupts with three levels of user-assigned priority.
- 64 software interrupts (**icall IM6** instruction).
- The TRAP input pin. (The TRAP pin is configured as an output only under JTAG control to support HDS multiple-processor debugging.) By default, after reset, the TRAP pin is configured as an input and is connected directly to the core via the PTRAP signal. If the TRAP pin is asserted, the core vectors to a user-supplied trap service routine at location **vbase + 0x4**.

Five pins of the DSP16210 are devoted to signaling interrupt service status. The IACK pin goes high when the core begins to service an interrupt or trap, and goes low three internal clock (CLK) cycles later. Four pins, VEC[3:0], carry a code indicating which of the interrupts or trap is being serviced. [Table 4 on page 21](#) contains the encodings used by each interrupt.

If an interrupt or trap condition arises, a sequence of actions service the interrupt or trap before the DSP16210 resumes regular program execution. The interrupt and trap vectors are in contiguous locations in memory, and the base (starting) address of the 352-word vector table is configurable in the **vbase** register. [Table 4 on page 21](#) describes the vector table. Assigning each interrupt and trap source to a unique location differentiates selection of their service routines. When an interrupt or trap is taken, the core saves the contents of **PC** and vectors execution to the appropriate interrupt service routine (ISR) or trap service routine (TSR).

There are 15 hardware interrupts with three levels of user-assigned priority. Interrupts are globally enabled by executing the **ei** (enable interrupts) instruction and globally disabled by executing the **di** (disable interrupts) instruction. The user assigns priorities and individually disables (masks) interrupts by configuring the **inc0** and **inc1** registers. The **ins** register contains status information for each interrupt. The **psw1** register includes control and status bits associated with the interrupt handler. When an interrupt is taken, the **pi** register holds the interrupt return address.

Software interrupts allow the testing of interrupt routines and their operation when interrupts occur at specific code locations. Programmers and system

architects can observe behavior of complex code segments when interrupts occur (e.g., multilevel subroutine nesting, cache loops, etc.).

A trap is similar to an interrupt but has the highest possible priority. Traps cannot be disabled by executing a **di** instruction. Traps do not nest, i.e., a TSR cannot be trapped. The state of the **psw1** register is unaffected by traps. When a trap is taken, the **ptrap** register holds the trap return address.

An interrupt or trap service routine can be either a four-word entry in the vector table or a larger service routine reached via a **goto** instruction in the vector table, in either case. The service routine must end with a **return** instruction for traps or an **ireturn** instruction for interrupts. Executing **ireturn** globally enables interrupts (executing **return** does not).

Interrupt Registers

The software interrupt and the traps are always enabled and do not have a corresponding bit in the **ins** register. Other vectored interrupts are enabled in the **inc0** and **inc1** registers ([Table 5 on page 22](#)) and monitored in the **ins** register ([Table 6 on page 22](#)). One of three priority levels for each hardware interrupt can be configured using two consecutive bits of **inc0** or **inc1**. There are two reasons for assigning priorities to interrupts.

- Nesting interrupts, i.e., an interrupt service routine can be interrupted by an interrupt of higher priority.
- Servicing concurrent interrupts according to their priority.

The **ins** register indicates the pending status of each interrupt. When set to 1, the status bits in the **ins** register indicate that an interrupt is pending. An instruction clears an interrupt by writing a one to the corresponding bit in the **ins** register (e.g., **ins = IM20**). Writing a zero to any bit leaves the bit unchanged. The interrupts corresponding to the least significant bits of **ins** are given higher default priority¹ than the interrupts corresponding to the most significant bits of **ins**. The processor must reach an interruptible state (completion of an interruptible instruction) before action is taken on an enabled interrupt. An interrupt is not serviced if it is not enabled.

1. Priority is primarily determined by programming the **inc0** and **inc1** registers ([Table 5 on page 22](#)). For interrupts with the same programmed priority, the position of their corresponding bits in **ins** determine their relative priority. For example, the EOFE and EIFE interrupts (**ins**[12:11]) default to a higher priority than EOBE and EIBF (**ins**[15:14]).

Hardware Architecture (continued)

Interrupts and Trap (continued)

Table 4. Interrupt and User Trap Vector Table

| Vector Description | Vector Address [†] | | Priority | VEC[3:0] Signals [‡] |
|---|-----------------------------|--------------------|------------------|-------------------------------|
| | Hexadecimal | Decimal | | |
| Reserved | vbase + 0x0 | vbase + 0 | — | — |
| PTRAP (driven by TRAP pin) | vbase + 0x4 | vbase + 4 | 6—Highest | 0xD |
| UTRAP (reserved for HDS) | vbase + 0x8 | vbase + 8 | 5 | 0xE |
| Reserved | vbase + 0xC | vbase + 12 | — | — |
| Reserved | vbase + 0x10 | vbase + 16 | — | — |
| MIBF0 | vbase + 0x14 | vbase + 20 | 0—3 [§] | 0x1 |
| MOBE0 | vbase + 0x18 | vbase + 24 | 0—3 [§] | 0x2 |
| MIBF1 | vbase + 0x1C | vbase + 28 | 0—3 [§] | 0x3 |
| MOBE1 | vbase + 0x20 | vbase + 32 | 0—3 [§] | 0x4 |
| INT0 | vbase + 0x24 | vbase + 36 | 0—3 [§] | 0x5 |
| INT1 | vbase + 0x28 | vbase + 40 | 0—3 [§] | 0x6 |
| INT2 | vbase + 0x2C | vbase + 44 | 0—3 [§] | 0x7 |
| INT3 | vbase + 0x30 | vbase + 48 | 0—3 [§] | 0x8 |
| TIME0 | vbase + 0x34 | vbase + 52 | 0—3 [§] | 0x9 |
| TIME1 | vbase + 0x38 | vbase + 56 | 0—3 [§] | 0xA |
| EIFE | vbase + 0x3C | vbase + 60 | 0—3 [§] | 0xB |
| EOFE | vbase + 0x40 | vbase + 64 | 0—3 [§] | 0xC |
| ECOL | vbase + 0x44 | vbase + 68 | 0—3 [§] | 0xD |
| EIBF | vbase + 0x48 | vbase + 72 | 0—3 [§] | 0xE |
| EOBE | vbase + 0x4C | vbase + 76 | 0—3 [§] | 0xF |
| Reserved | vbase + 0x50 | vbase + 80 | — | — |
| Reserved | vbase + 0x54 | vbase + 84 | — | — |
| Reserved | vbase + 0x58 | vbase + 88 | — | — |
| Reserved | vbase + 0x5C | vbase + 92 | — | — |
| Software Interrupt 0 (icall 0) | vbase + 0x60 | vbase + 96 | — | 0xC |
| Software Interrupt 1 (icall 1) | vbase + 0x64 | vbase + 100 | — | 0xC |
| ⋮ | ⋮ | ⋮ | — | 0xC |
| Software Interrupt 62 (icall 62) | vbase + 0x158 | vbase + 344 | — | 0xC |
| Software Interrupt 63 (icall 63) | vbase + 0x15C | vbase + 348 | — | 0xC |

[†] **vbase** contains the base address of the 352-word vector table.

[‡] The VEC[3:0] signals are multiplexed with the BIO signals IOBIT[7:4] onto the VEC[3:0]/IOBIT[7:4] pins (VEC0 corresponds to IOBIT7, VEC1 corresponds to IOBIT6, VEC2 corresponds to IOBIT5, and VEC3 corresponds to IOBIT4). VEC[3:0] defaults to 0xF (all ones) if the core is not currently servicing an interrupt or a trap.

[§] The programmer specifies the relative priority levels 0—3 for hardware interrupts via **inc0** and **inc1** (see the *DSP16000 Digital Signal Processor Core Information Manual*). Level 0 indicates a disabled interrupt. If the core simultaneously recognizes more than one interrupt with the same assigned priority, it services the interrupt with the lowest vector address first.

Hardware Architecture (continued)

Interrupts and Trap (continued)

Table 5. Interrupt Control 0 and 1 (inc0, inc1) Registers

| | | | | | |
|-------------|--------------------------|------------|------------|------------|------------|
| | 19—18 | 17—16 | 15—14 | 13—12 | 11—10 |
| inc0 | TIME0[1:0] | INT3[1:0] | INT2[1:0] | INT1[1:0] | INT0[1:0] |
| inc1 | Reserved—write with zero | | | | EOBE[1:0] |
| | 9—8 | 7—6 | 5—4 | 3—2 | 1—0 |
| inc0 | MOBE1[1:0] | MIBF1[1:0] | MOBE0[1:0] | MIBF0[1:0] | Reserved |
| inc1 | EIBF[1:0] | ECOL[1:0] | EOFE[1:0] | EIFE[1:0] | TIME1[1:0] |

| Field† | Value | Description |
|--|-------|--|
| TIME0[1:0] INT3[1:0] INT2[1:0] INT1[1:0] INT0[1:0] | 00 | Disable the selected interrupt (no priority). |
| MOBE1[1:0] MIBF1[1:0] MOBE0[1:0] MIBF0[1:0] | 01 | Enable the selected interrupt at priority 1 (lowest). |
| EOBE[1:0] EIBF[1:0] ECOL[1:0] | 10 | Enable the selected interrupt at priority 2. |
| EOFE[1:0] EIFE[1:0] TIME1[1:0] | 11 | Enable the selected interrupt at priority 3 (highest). |

† Reset clears all fields to disable all interrupts.

Table 6. Interrupt Status (ins) Register

| | 19—16 | 15 | 14 | 13 | 12 | 11 | 10 | | | |
|-------|--|-------|--|------|-------|-------|-------|-------|----------|---|
| | Reserved | | | EOBE | EIBF | ECOL | EOFE | EIFE | TIME1 | |
| | 9 | 8 | 7 | 6 | 5 | 4 | 3 | 2 | 1 | 0 |
| TIME0 | INT3 | INT2 | INT1 | INT0 | MOBE1 | MIBF1 | MOBE0 | MIBF0 | Reserved | |
| Bit | Field† | Value | Description | | | | | | | |
| 19—16 | Reserved | — | Reserved—write with zero. | | | | | | | |
| 15—0 | EOBE EIBF ECOL EOFE EIFE TIME1 TIME0 INT3 INT2 INT1 INT0 MOBE1 MIBF1 MOBE0 MIBF0 | 0 | Read—corresponding interrupt not pending. Write—no effect. | | | | | | | |
| | | 1 | Read—corresponding interrupt is pending. Write—clears bit and changes corresponding interrupt status to not pending‡. | | | | | | | |

† The core clears an interrupt's **ins** bit if it services that interrupt. For interrupt polling, an instruction can explicitly clear an interrupt's **ins** bit by writing a 1 to that bit and a 0 to all other **ins** bits. Writing a 0 to any **ins** bit leaves the bit unchanged.

‡ To clear an interrupt's status, an application writes a 1 to the corresponding bit.

Hardware Architecture (continued)

Interrupts and Trap (continued)

Clearing Interrupts

Writing a 1 to a bit in the **ins** register causes the corresponding interrupt status bit to be cleared to a logic 0. This bit is also automatically cleared by the core when the interrupt is taken, leaving set any other vectored interrupts that are pending. The MIOU and ESIO interrupt requests can be cleared by particular instructions, but there is a latency between the instruction execution and the actual clearing of the interrupt request (see the section below).

Interrupt Request Clearing Latency

As a consequence of pipeline delay, there is a minimum latency (number of instruction cycles) between the time a peripheral interrupt clear instruction is executed for an MIOU or ESIO interrupt and the corresponding interrupt request is actually cleared. These latencies are described in Table 7, and are significant when implementing ISRs or I/O polling loops. See [Modular I/O Units \(MIOUs\) beginning on page 42](#) and [Enhanced Serial I/O \(ESIO\) Unit beginning on page 32](#) for details on these interrupts.

Table 7. Interrupt Request Clearing Latency

| Interrupt Clear Instruction† | Subsequent Instruction† | Latency (Cycles) | Example‡ |
|--|---|------------------|---|
| mcmd⟨0,1⟩ = ⟨ILEN_UP, OLEN_UP, RESET⟩ | ireturn (return from interrupt service routine) | 4 | mcmd0=0x4010 4*nop ireturn ILEN_UP command clears MIBF0 request. Four nops are needed to avoid unintentional re-entry into ISR. |
| | ins = ⟨REG, MEM⟩ (clear interrupt pending bit within a polling routine) | 6 | mcmd1=0x6000 6*nop ins=0x00008 a0=ins RESET command clears MIBF1 request and sets MOBE1 request. Six nops are needed before MIBF1 bit in ins can be cleared. |
| REG = MEM (MEM is IDMX⟨0—15⟩) or MEM = REG (MEM is ICR) (Bit 4 of REG is one, setting IRESET field.) | ireturn (return from interrupt service routine) | 2 | a5h=*r0 2*nop ireturn r0 is 0xe0000. a5h = *r0 reads IDMX0 and clears EIBF request. Two nops are needed to avoid unintentional re-entry into ISR. |
| | ins = ⟨REG, MEM⟩ (clear interrupt pending bit within a polling routine) | 4 | *r5=a1h 4*nop ins=0x04800 a3=ins r5 is 0xe001A (*r5 is ICR). Bit 4 of a1h is one. Four nops are needed before EIBF or EIFE bits in ins can be cleared. |
| MEM = REG (MEM is OMX⟨0—15⟩) or MEM = REG (MEM is OCR) (Bit 4 or bit 7 of REG is one, setting ORESET or CRESET field) | ireturn (return from interrupt service routine) | 2 | *r1=a4h 2*nop ireturn r1 is 0xe003A (*r1 is OCR). Bit 4 of a4h is one, causing the clearing of EOBE, EOFE, and ECOL requests. Two nops are needed to avoid unintentional re-entry into ISR. |
| | ins = ⟨REG, MEM⟩ (clear interrupt pending bit within a polling routine) | 4 | *r6=a3h 4*nop ins=0x08000 a3=ins r6 is 0xe0020. *r6 = a3h writes OMX0 and clears EOBE request. Four nops are needed before EOBE bit in ins can be cleared. |

† Key to these columns: REG is any register. MEM is a memory location. ILEN_UP, OLEN_UP, or RESET is a value (immediate, register contents, or memory location contents) such that bits 15:12 are 0x4, 0x5, or 0x6, respectively.

‡ The **nop** and multiple **nop** instructions in the examples can be replaced by any instruction(s) that takes an equal or greater number of execution cycles than the **nop** instruction(s).

Hardware Architecture (continued)

Interrupts and Trap (continued)

INT[3:0] and TRAP Pins

The DSP16210 provides four interrupt pins INT[3:0]. TRAP is a bidirectional pin. At reset TRAP is configured as an input to the processor. Asserting the TRAP pin forces a pin trap. The trap mechanism is used to rapidly gain control of the processor for asynchronous time-critical event handling (typically for catastrophic error recovery). A separate vector, PTRAP, is provided for the pin trap (see Table 4 on page 21). Traps cannot be disabled.

Referring to the timing diagram in Figure 3, the INT[3:0] or TRAP pin is asserted for a minimum of two cycles. The pin is synchronized and latched on the next falling edge of CLK. A minimum of four cycles later, the interrupt or trap gains control of the core and the core branches to the interrupt service routine (ISR) or trap service routine (TSR). The actual number of cycles until the interrupt or trap gains control of the core depends on the number of wait-states incurred by the interrupted or trapped instruction. The DSP16210 drives a value (see Table 4 on page 21) onto the VEC[3:0] pins and asserts the IACK pin.

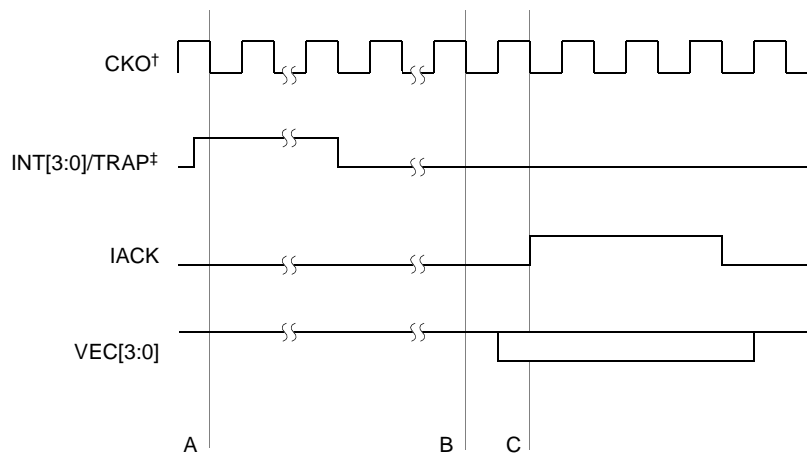
Low-Power Standby Mode

The DSP16210 has a power-saving standby mode in which the internal core clock stretches indefinitely until the core receives an interrupt or trap request. A minimum amount of core circuitry remains active in order to process the incoming interrupt. The clocks to the peripherals are unaffected and the peripherals continue to operate during standby mode. The program places the core in standby mode by setting the AWAIT bit (bit 15) of the **alf** register (**alf** = 0x8000). After the AWAIT bit is set, one additional instruction is executed before the standby mode is entered. When an interrupt occurs, core hardware resets AWAIT, and normal core processing is resumed.

The MIOUs remain operational even in standby mode. Their clocks remain running and they continue any DMA activity.

Two **nop** instructions should be programmed after the AWAIT bit is set. The first **nop** (one cycle) is executed before sleeping; the second is executed after the interrupt signal awakens the DSP and before the interrupt service routine is executed.

Power consumption can be further reduced by activating other available low-power modes. See Power Management beginning on page 61 for information on these other modes.



† CKO is programmed to be CLK.

‡ The INT[3:0] or TRAP pin must be held high for a minimum of two cycles.

Notes:

A. The DSP16210 synchronizes and latches the INT[3:0] or TRAP.

B. A minimum four-cycle delay before the core services the interrupt or trap (executes instructions starting at the vector location). For a trap, the core executes a maximum of three instructions before it services the trap.

Figure 3. INT[3:0] and TRAP Timing

Hardware Architecture (continued)

Memory Maps

Figure 5 shows the DSP16210 X-memory space memory map (XMAP). Figure 6 on page 26 shows the DSP16210 Y-memory space memory maps (YMAP0 and YMAP1). Instructions differentiate between the X- and Y-memory spaces by the addressing unit (i.e., the set of pointers) used for the access and not by the physical memory accessed. Although the memories are 16-bit word-addressable, data or instruction widths can be either 16 bits or 32 bits and the internal memories can be accessed 32 bits at a time. The internal DPRAM is organized into even and odd interleaved banks as shown in Figure 4. The core data buses (XDB and YDB) are 32 bits wide, so the core can access 32-bit DPRAM data that has an aligned (even) address in a single cycle.

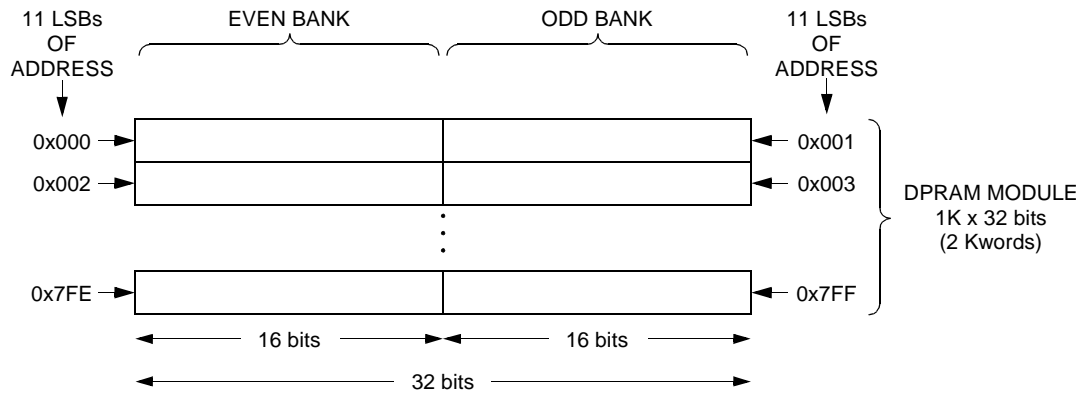
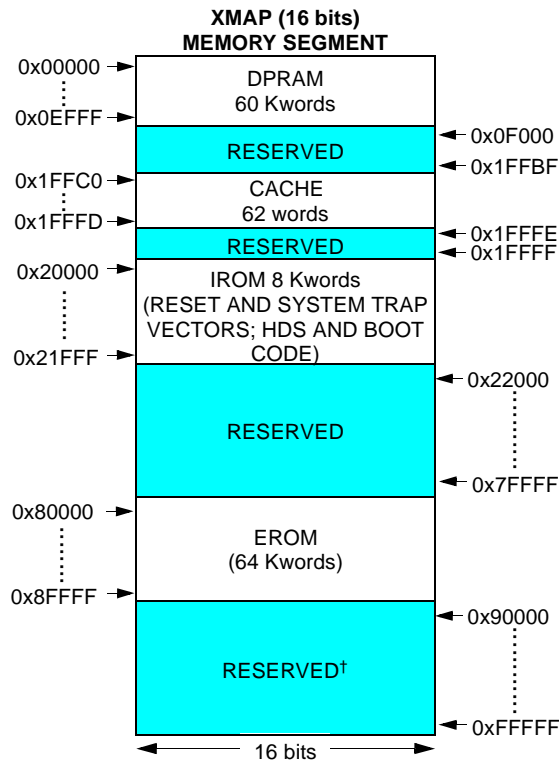


Figure 4. Interleaved Internal DPRAM

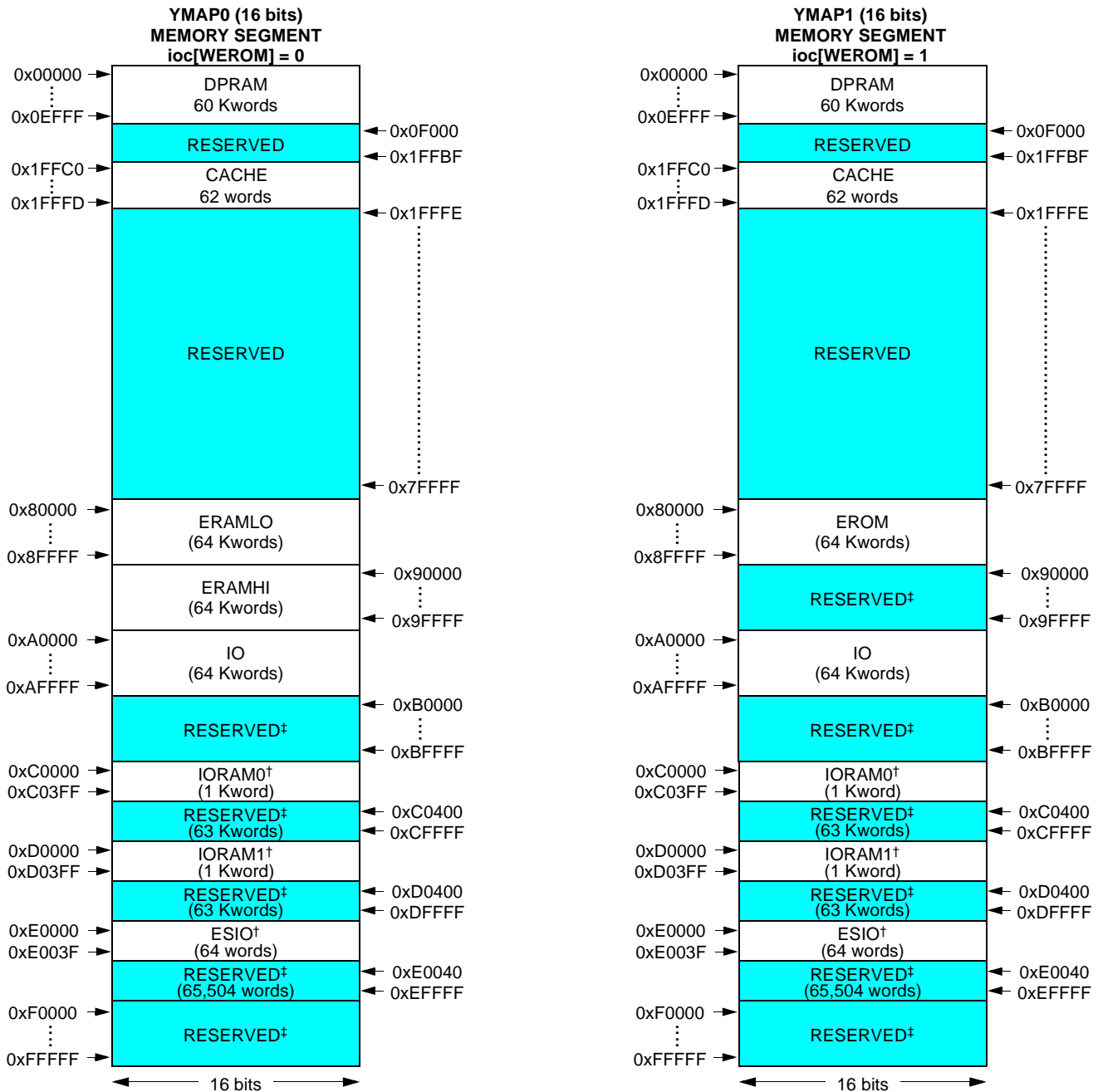


† These locations are modularly mapped into the previous segment (EROM). For example, location 0xA0000 maps to location 0x80000.

Figure 5. X-Memory Space Memory Map

Hardware Architecture (continued)

Memory Maps (continued)



† IORAM0, IORAM1, and ESIO are internal physical memory spaces that are managed by the EMI and are mapped to external memory addresses.

‡ These locations are modularly mapped into the previous segment. For example, locations 0xD0400—0xD07FF map to locations 0xD0000—0xD03FF and location 0xE0040 maps to location 0xE0000.

Figure 6. Y-Memory Space Memory Maps

The external memory data bus (DB) and the EMI data bus (EDB) are 16 bits wide, and therefore, 32-bit accesses to external memory and IORAM are broken into two 16-bit accesses.

Hardware Architecture (continued)

Memory Maps (continued)

The addresses shown in Figures 5 and 6 correspond to the 20-bit core address buses (XAB for the XMAP and YAB for YMAP0/YMAP1). For external memory accesses, these 20-bit addresses are truncated to 16 bits and the external enable pins (EROM, ERAMHI, ERAMLO, and IO) differentiate the 64K segment being accessed. For IORAM accesses, these 20-bit addresses are truncated to 10 bits.

Boot from External ROM

The EXM pin determines from which memory region (EROM or IROM) the DSP16210 executes code following a device reset. EXM is captured by the rising edge of RSTB. If the captured value of EXM is one, the DSP16210 boots from external ROM (EROM—core address 0x80000). Otherwise, the DSP16210 boots from internal IROM (core address 0x20000). See [DSP16210 Boot Routines beginning on page 126](#) for details on booting from IROM.

Data Memory Map Selection

The DSP16210 data memory map selection is based on the value of the WEROM field (bit 4) in the **ioc** register ([Table 54 on page 99](#)). If WEROM is set to 0, the YMAP0 data memory map is selected. If WEROM is set to 1, the YMAP1 data memory map is selected. If WEROM is 1, all ERAMLO accesses are redirected to the EROM segment.

External Memory Interface (EMI)

The external memory interface (EMI) manages off-chip memory and on-chip IORAM memory and ESIO storage, collectively referred to as EMI storage.

The EMI multiplexes the two sets of core buses (XAB/XDB and YAB/YDB) onto a single set of external buses—a 16-bit address bus (AB) and 16-bit data bus (DB). It also multiplexes the two sets of core buses onto a single set of internal EMI buses—a 10-bit address bus (EAB) and a 16-bit data bus (EDB)—for

access to the IORAM and ESIO storage. The EMI automatically translates 32-bit XDB/YDB accesses into two 16-bit DB/EDB accesses and vice versa. If an instruction accesses EMI storage from both the X side and Y side, the EMI performs the X access first followed by the Y access and the core incurs a conflict wait-state.

The EMI accesses four external memory segments—ERAMHI, ERAMLO, EROM, and IO.

Two control registers are encoded by the user to define the operation of the EMI. Bits 14—0 in **mwait** ([Table 58 on page 101](#)) and bits 10 and 7—0 in **ioc** ([Table 54 on page 99](#)) apply to the EMI. These programmable features give the designer flexibility in choosing among various external memories.

Latency for Programming mwait and ioc Registers

There is a two instruction cycle latency between an instruction that updates either **ioc** or **mwait** and availability of the new value in the EMI. It is recommended that two **nops** (or other instructions that do not access external memory) follow each **ioc** or **mwait** update instruction. See the example below:

```
mwait=0x0222/* Modify mwait          */
2*nop        /* Wait for latency       */
a0=*r0       /* OK to perform EMI read      */
```

For write operations the EMI buffers the data (see [Functional Timing beginning on page 29](#)), software must verify that all pending external write operations have completed before modifying **ioc** or **mwait**. Software ensures that all memory operations have completed by executing an external memory read operation. After the read operation is completed, it is safe to modify **ioc** or **mwait**. See the code segment below for an example:

```
*r1++=a1     /* EMI write.                */
a0=*r2       /* Dummy EMI read.            */
mwait=0x0222/* Safe to modify mwait.  */
2*nop        /* Wait for mwait latency.    */
```

Note: For the EMI to function properly, the application program **must** adhere to the latency restrictions presented above.

Hardware Architecture (continued)

External Memory Interface (EMI) (continued)

Programmable Access Time

For each of the four external memory segments, the number of cycles to assert the enable can be selected in **mwait** (Table 58 on page 101). Within **mwait**, the IATIM[3:0] field specifies the number of cycles to assert the enable for the IO segment, the YATIM[3:0] field specifies the number of cycles to assert the enable for the ERAMLO and ERAMHI segments, and the XATIM[3:0] field specifies the number of cycles to assert the enable for the EROM segment. On device reset, all access time values are initialized to 15 (**mwait** resets to 0x0FFF).

External memory accesses cause the core to incur wait-states. Table 8 on page 28 defines the duration of an access and the number of wait-states incurred as a function of the programmed access time (IATIM[3:0], YATIM[3:0], or XATIM[3:0] abbreviated as A). For example, if YATIM[3:0] = 0xB (decimal 11), then the ERAMLO and ERAMHI enables are asserted for 11 CLK cycles, any accesses to ERAMLO or ERAMHI require 12 CLK cycles, and the number of wait-states incurred by the core is 12 for read operations and up to and including 12 for write operations.

Wait-states for write operations can be transparent to the core if subsequent instructions do not access external memory.

Table 8. Access Time and Wait-States

| Quantity | Number of CLK Cycles the Enable Pin Is Asserted IATIM[3:0], YATIM[3:0], or XATIM[3:0] (abbreviated as ATIM) | Duration of Access ATIM + 1 | Wait-States Incurred | |
|----------|---|--------------------------------|----------------------|---------------------------------------|
| | | | Read ATIM + 1 | Write up to and including ATIM + 1 |
| Range | 1—15 | 2—16 | 2—16 | 0—16 |

READY Pin Enables

For each of the four external memory segments, **mwait** (Table 58 on page 101) can be programmed to enable or disable the READY pin. Setting the RDYEN2 bit enables READY for the IO segment, setting the RDYEN1 bit enables READY for the ERAMLO and ERAMHI segments, and setting the RDYEN0 bit enables READY for the EROM segment. On device reset, the RDYEN[2:0] bits are cleared, causing the DSP16210 to ignore the READY pin by default.

Enable Delays

The leading edge of an enable can be delayed to avoid a situation in which two devices drive the data bus simultaneously. If the leading edge of an enable is delayed, it is guaranteed to be asserted after the RWN signal is asserted.

Setting DENB2 of **ioic** (Table 54 on page 99) delays the leading edge of the IO enable by approximately one half-cycle of CLK. Similarly, setting DENB1 delays the leading edge of the ERAM, ERAMHI, and ERAMLO enables, and setting DENB0 delays the leading edge of the EROM enable. On device reset, the DENB[2:0] bits are cleared, causing no delay by default.

Memory Map Selection

The WEROM field (**ioic** bit 4) selects either YMAP0 or YMAP1 (see Figure 6 on page 26). If WEROM is set, YMAP1 is selected and all ERAMLO accesses are mapped to EROM. This allows the EROM segment, which is normally read-only, to be written. For example, a program could download code or coefficients into the EROM segment for later use. If WEROM is set, the DENB1 field (**ioic** bit 1) and the RDYEN1 and YATIM[3:0] fields (**mwait** bits 13 and 7—4) control Y-side accesses to EROM.

Hardware Architecture (continued)

External Memory Interface (EMI) (continued)

RWN Advance

The RWNADV field (**ioc** bit 3) controls the amount of delay from the beginning of a write access to the lowering of the RWN pin. See [External Memory Interface](#) under [Timing Characteristics and Requirements](#) for details.

CKO Pin Configuration

The CKOSEL[2:0] field (**ioc** bits 7—5) configures the CKO pin as either the internal free-running clock (CLK), the internal free-running clock held high during low-power standby mode, the output of the CKI input buffer, logic zero, or logic one. See [Table 54 on page 99](#).

Write Data Drive Delay

The write data delay (WDDLY) field (**ioc** bit 10) controls the amount of time that the EMI delays driving write data onto the data bus (DB[15:0]). If WDDLY is cleared, the EMI drives the data bus approximately one half-cycle of CLK after the beginning of the access¹. If WDDLY is set, the EMI drives the data bus approximately one full cycle of CLK after the beginning of the access¹. As a result, setting WDDLY provides an additional delay of one half-cycle for slower external memory. This additional delay is particularly useful if the external memory's enable is delayed (the corresponding DENB[2:0] bit is set).

If WDDLY is set, both the turn-on and turn-off delays for the data bus are increased². Because the turn-off delay is increased, it may be necessary to set the corresponding DENB[2:0] bit for any segments that are read immediately after writing.

Functional Timing

The following definitions apply throughout:

Low—an electrical level near ground corresponding to logic zero.

High—an electrical level near VDD corresponding to logic one.

Assertion—the changing of a signal to its active value.

Deassertion—the changing of a signal to its inactive value.

EMI Storage—storage that the EMI manages consisting of external memory, IORAM memory, and ESIO memory-mapped registers.

EMI Instruction—a DSP16210 instruction that accesses (reads or writes) EMI storage.

Non-EMI Instruction—a DSP16210 instruction that does not access EMI storage.

CLK Period—the time from rising edge to rising edge of the CLK clock; the duration of one single instruction cycle. All EMI events occur on the rising edge of CLK. It is assumed that the CKO pin is programmed as CLK and the remainder of this section uses the terms CLK and CKO interchangeably.

1. The beginning of the access occurs when the EMI drops RWN.

2. The data bus active interval is constant regardless of WDDLY.

Hardware Architecture (continued)

External Memory Interface (EMI) (continued)

Functional Timing (continued)

All DSP16210 external memory read and write operations consist of two parts:

1. **Active Part:** Lasts for the number of cycles programmed in the **mwait** register (IATIM[3:0], XATIM[3:0], or YATIM[3:0]). Begins on a rising edge of CLK (CKO). Immediately after this rising edge:
 - a. The DSP16210 asserts the memory segment enable. If the leading edge of the memory segment enable is delayed (the corresponding DENB[2:0] bit of **ioc** is set), the DSP16210 asserts the memory segment enable one-half of a CLK period later.
 - b. The DSP16210 places the address on the address bus AB[15:0].
 - c. RWN becomes valid (high for a read, low for a write).
 - d. For a read operation, the DSP16210 3-states its data bus DB[15:0] drivers. For a write operation, the DSP16210 delays driving the data bus by an interval determined by the WDDL Y field (**ioc** bit 10). If WDDL Y = 0, the delay is approximately one half-cycle of CLK after RWN goes low. If WDDL Y = 1, the delay is approximately one cycle of CLK after RWN goes low.
2. **Finish Part:** Lasts for one cycle. Begins on a rising edge of CLK (CKO). Immediately after this rising edge:
 - a. The DSP16210 deasserts the memory segment enable.
 - b. For a read operation, the DSP16210 latches the data from DB[15:0]. For a write operation, the DSP16210 continues to drive data onto the data bus for an interval determined by the WDDL Y field (**ioc** bit 10). If WDDL Y = 0, the DSP16210 drives the bus for approximately one half-cycle of CLK after the beginning of the finish part. If WDDL Y = 1, the DSP16210 drives the bus for approximately one cycle of CLK after the beginning of the finish part.

As a consequence of the finish part of each memory operation, contention problems caused by back-to-back assertion of different enables (one instruction with dual accesses) are avoided. Following the finish part, the DSP16210 continues to drive the address bus with the last valid address until the beginning of the next external read or write operation.

If an instruction **reads** from EMI storage, the number of wait-states incurred by the core during execution of that instruction is R . R is computed as:

$$R = R_X + R_Y$$

where: R_X = Number of wait-states incurred from reading external X-memory¹.
 R_Y = Number of wait-states incurred from reading external Y-memory, IORAM memory, or ESIO register.

If an instruction **writes** to EMI storage and is immediately followed by a second EMI instruction, wait-states are incurred by the core during execution of the second² instruction. The number of wait-states is W :

where: W = Number of wait-states incurred from writing external Y-memory, IORAM memory, or ESIO register.

1. Including possible instruction fetch.

2. Wait-states are incurred by the following instruction and not by the current instruction because the EMI internally buffers write data. In other words, the core does not wait (as it does in the DSP1620) until the write data has been transferred to EMI storage. Instead, the core continues execution while the EMI waits to transfer the data to EMI storage on the next available memory cycle. A subsequent access to EMI storage causes the core to wait until the prior write operation's data has been transferred to storage.

Hardware Architecture (continued)

External Memory Interface (EMI) (continued)

Functional Timing (continued)

Table 9 describes the computation of wait-states for read and write accesses (R_x , R_y , and W) for each segment of EMI storage, including the IORAM memories and ESIO memory-mapped registers.

Table 9. Wait-States

| Access | Segment | Number of Wait-States [†] | |
|----------------|------------------|------------------------------------|---|
| X-memory read | EROM | R_x | $(size \times (XATIM[3:0] + 1) + misaligned)$ |
| Y-memory read | ERAMHI or ERAMLO | R_y | $(size \times (YATIM[3:0] + 1) + misaligned)$ |
| | IO | | $(size \times (IATIM[3:0] + 1) + misaligned)$ |
| | IORAM or ESIO | | $(size \times 2 + misaligned)$ |
| Y-memory write | ERAMHI or ERAMLO | W^\ddagger | $(size \times (YATIM[3:0] + 1) + misaligned)$ |
| | IO | | $(size \times (IATIM[3:0] + 1) + misaligned)$ |
| | IORAM or ESIO | | $(size + misaligned)$ |

[†] *size* is one for a 16-bit access and two for a 32-bit access. *misaligned* is one for a misaligned double-word access and zero for a single-word access or an aligned double-word access.

[‡] Write wait-states can be transparent to the core if the EMI write instruction is followed by non-EMI instructions.

Write wait-states can be transparent to the core if the instruction that writes EMI storage is followed by non-EMI instructions. If write wait-states are transparent, then the core continues execution while the EMI completes the write operation. For example, the single write external wait-state in the following code segment is transparent and does not stall the core execution:

```
*r0++=a0h    /* r0 points to IORAM, single-word write, one wait-state          */
a0h=a0h+1    /* 1-cycle instruction, no EMI access -- wait-state is transparent      */
```

READY Pin

The READY input pin permits an external device to extend the length of an EMI access cycle. The READY pin can be used if the number of access cycles programmable in the **mwait** register (Table 58 on page 101) is insufficient, or if the desired number of access cycles varies from access to access. To use the READY pin for a memory segment access, the access time field in the **mwait** register (IATIM[3:0], YATIM[3:0], or XATIM[3:0]) must be programmed to a value of four or greater and the corresponding RDYEN[2:0] field of **mwait** must be set. If the access time field in **mwait** for the memory segment is less than four or if the RDYEN[2:0] field of **mwait** for the memory segment is cleared, then the DSP16210 ignores the READY pin when accessing that segment. On device reset, the RDYEN[2:0] fields are cleared, causing the DSP16210 to ignore the READY pin by default. Figure 39 on page 152 illustrates the operation of the READY pin.

The DSP16210 internally synchronizes the READY pin to the internal clock (CLK). READY must be asserted at least five cycles (plus a setup time¹) prior to the end of the external memory operation. The DSP16210 adds the number of cycles that READY is asserted to the access time.

1. The READY pin setup time is t140 in Table 108 on page 152.

Hardware Architecture (continued)

Enhanced Serial I/O (ESIO) Unit

The ESIO is a programmable, hardware-managed, double-buffered, full-duplex serial I/O port designed to support glueless multichannel I/O processing on a TDM (time-division multiplex) highway. It has a 4-pin input interface (EIFS, EIBC, EDI, and EIBF) and a 5-pin output interface (EOFS, EOBC, EDO, EOEB, and EOBE). See [Signal Descriptions beginning on page 121](#) for more details. ESIO input and output bit clocks are passive, i.e., must be provided by an external source. Data is transmitted and received in an LSB-first manner. The ESIO supports two modes of operation:

1. Simple mode: Serial I/O that has programmable 8-bit or 16-bit data lengths. The maximum serial data rate is 26 Mbits/s.
2. Frame mode: Up to 16 logical channels are multiplexed and demultiplexed on a standard 256-bit/frame TDM highway or on a 64-/128-/192-bit/frame highway¹. The sample length for each channel is individually programmed as 1, 2, 4, or 8 bits corresponding to 8 Kbits/s, 16 Kbits/s, 32 Kbits/s, and 64 Kbits/s for a 2.048 Mbits/s TDM highway. The maximum supported serial data rate is 8.192 Mbits/s.

The ESIO communicates I/O buffer status to the core using the input buffer full (EIBF), output buffer empty (EOBE), input frame error (EIFE), output frame error (EOFE), and output collision (ECOL) interrupts. The input buffer full and output buffer empty conditions are also indicated via the EIBF and EOBE pins. In frame mode, EIBF and EOBE are based upon the completion of a programmable number of frames.

The ESIO contains 16 memory-mapped, double-buffered serial-to-parallel input demultiplexer registers (**IDMX<0—15>**). These 16-bit read-only registers can be configured to demultiplex a maximum of 16 logical input channels. A logical input channel is a nonoverlapping sequence of consecutive bits (1, 2, 4, or 8) identified by a starting bit position within the frame.

The ESIO also contains 16 memory-mapped, double-buffered parallel-to-serial output multiplexer registers (**OMX<0—15>**). These 16-bit write-only registers can be configured to multiplex a maximum of 16 logical output channels. A logical output channel is a nonoverlapping

1. A single DSP16210 can process up to 128 bits/frame (sixteen 8-bit channels).

ping sequence of consecutive bits (1, 2, 4, or 8) identified by a starting bit position within the frame.

The ESIO's serial data output (EDO) supports multi-master operation and can be configured as open-drain or 3-state.

Input Section

The control registers in the ESIO input section are the input control register (**ICR**), input channel start bit registers (**ICSB<0—7>**), input channel start length registers (**ICSL<0—1>**), and input channel valid vector register (**ICVV**). The data registers are **IDMX<0—15>**. All the ESIO input section registers are 16 bits and are memory-mapped as illustrated in Table 10.

Table 10. ESIO Memory Map (Input Section)

| Memory Address | Register | R/W† | Memory Address | Register | R/W† |
|----------------|---------------|------|----------------|--------------|------|
| 0xE0000 | IDMX0 | R | 0xE0010 | ICSB0 | R/W |
| 0xE0001 | IDMX1 | R | 0xE0011 | ICSB1 | R/W |
| 0xE0002 | IDMX2 | R | 0xE0012 | ICSB2 | R/W |
| 0xE0003 | IDMX3 | R | 0xE0013 | ICSB3 | R/W |
| 0xE0004 | IDMX4 | R | 0xE0014 | ICSB4 | R/W |
| 0xE0005 | IDMX5 | R | 0xE0015 | ICSB5 | R/W |
| 0xE0006 | IDMX6 | R | 0xE0016 | ICSB6 | R/W |
| 0xE0007 | IDMX7 | R | 0xE0017 | ICSB7 | R/W |
| 0xE0008 | IDMX8 | R | 0xE0018 | ICSL0 | R/W |
| 0xE0009 | IDMX9 | R | 0xE0019 | ICSL1 | R/W |
| 0xE000A | IDMX10 | R | 0xE001A | ICR | R/W |
| 0xE000B | IDMX11 | R | 0xE001B | ICVV | R/W |
| 0xE000C | IDMX12 | R | 0xE001C | RESERVED | |
| 0xE000D | IDMX13 | R | 0xE001D | | |
| 0xE000E | IDMX14 | R | 0xE001E | | |
| 0xE000F | IDMX15 | R | 0xE001F | | |

† This column indicates whether the register is readable (R) and/or writable (W).

The input control register (**ICR**) ([Table 47 on page 95](#)) controls the configuration of the input section, including the selection of simple mode vs. frame mode. **ICVV** ([Table 50 on page 96](#)) specifies the number of active logical channels (one for simple mode and 1 through 16 for frame mode). **ICSB<0—7>** ([Table 48 on page 96](#)) and **ICSL<0—1>** ([Table 49 on page 96](#)) are used only in frame mode. They specify the starting bit position and the sample length (1, 2, 4, or 8 bits) of each logical channel.

Hardware Architecture (continued)

Enhanced Serial I/O Unit (ESIO) (continued)

ESIO interrupts are summarized in [Table 14](#) on [page 41](#).

Input Control Signal Conditioning. As illustrated in Figure 7, ILEV (bit 3) of the **ICR** register ([Table 47](#) on [page 95](#)) selects the polarity of the input bit clock, EIBC. The modified clock is the input bit clock for the input section (IBC). The input sync level, ISLEV (bit 5) of the **ICR** register, selects whether or not the input frame sync, EIFS, is inverted. If input sync delay (ISDLY) (bit 6) of the **ICR** register is zero, this modified signal is the frame sync for the input section (IFS). If ISDLY is one, the modified signal is first retimed by the EIBC clock before becoming the frame sync for the input section (IFS). Figure 8 illustrates the timing of IFS when ISDLY is one.

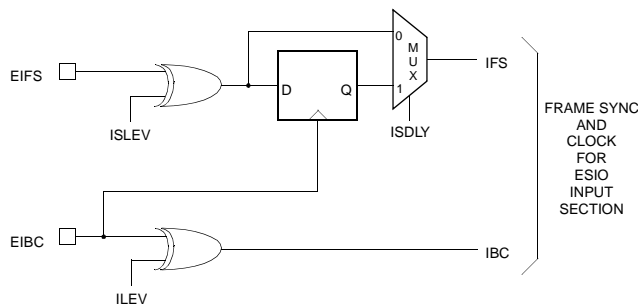


Figure 7. Input Control Signal Conditioning

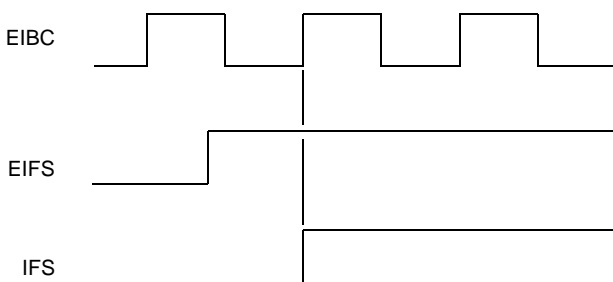


Figure 8. Frame Sync Timing with ILEV = ISLEV = 0 and ISDLY = 1

The rising edge of IFS (captured by the next rising edge of IBC) indicates that the first bit of the serial input

packet or frame (from EDI) is captured by the falling edge of IBC. This edge also initializes the internal bit counter to zero, and every subsequent rising edge of IBC increments the bit counter. In frame mode, this bit counter is used by the input control hardware to define logical channel start points and to detect input frame errors. See Figure 9.

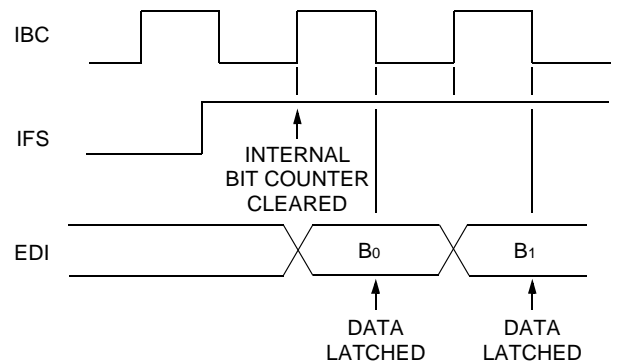


Figure 9. Input Functional Timing

Simple Input Mode Processing. The ESIO input block operates in simple input mode when IMODE (bit 8) of the **ICR** register is set to 1. In this mode, the programmer must set the **ICVV** register to 0x0001. The ESIO disables the input frame error interrupt (EIFE).

In simple mode, the ESIO supports double-buffered 8-bit and 16-bit LSB-first serial operation. Eight-bit serial operation is selected by setting ISIZE (bit 7) of the **ICR** register. This right justifies 8-bit input packets, i.e., the 8-bit data is aligned with bits [7:0] of **IDMX0**.

See [Figure 10](#) on [page 34](#) for a diagram of the input demultiplexer structure. Serial input data from EDI is captured into a serial-to-parallel register by the falling edge of IBC (illustrated as IBCQ0 in [Figure 10](#)). After all programmed bits (8 or 16) have been captured, the data is transferred to the parallel data register **IDMX0** for future core processing (for example, `a0h = *r0`, where **r0** points to location 0xE0000).

The ESIO asserts the input buffer full (EIBF) output pin and the EIBF interrupt after the falling edge of the final IBC capture clock. The EIBF interrupt and pin are cleared when the DSP reads the **IDMX0** memory-mapped register. EIBF is also cleared on device reset or if the DSP program resets the input section (writes **ICR** with the IRESET field (bit 4) set). The simple mode input timing diagram (for ILEV = 0, ISLEV = 0, ISIZE = 0, and ISDLY = 0) is illustrated in [Figure 52](#) on [page 166](#).

Hardware Architecture (continued)

Enhanced Serial I/O Unit (ESIO) (continued)

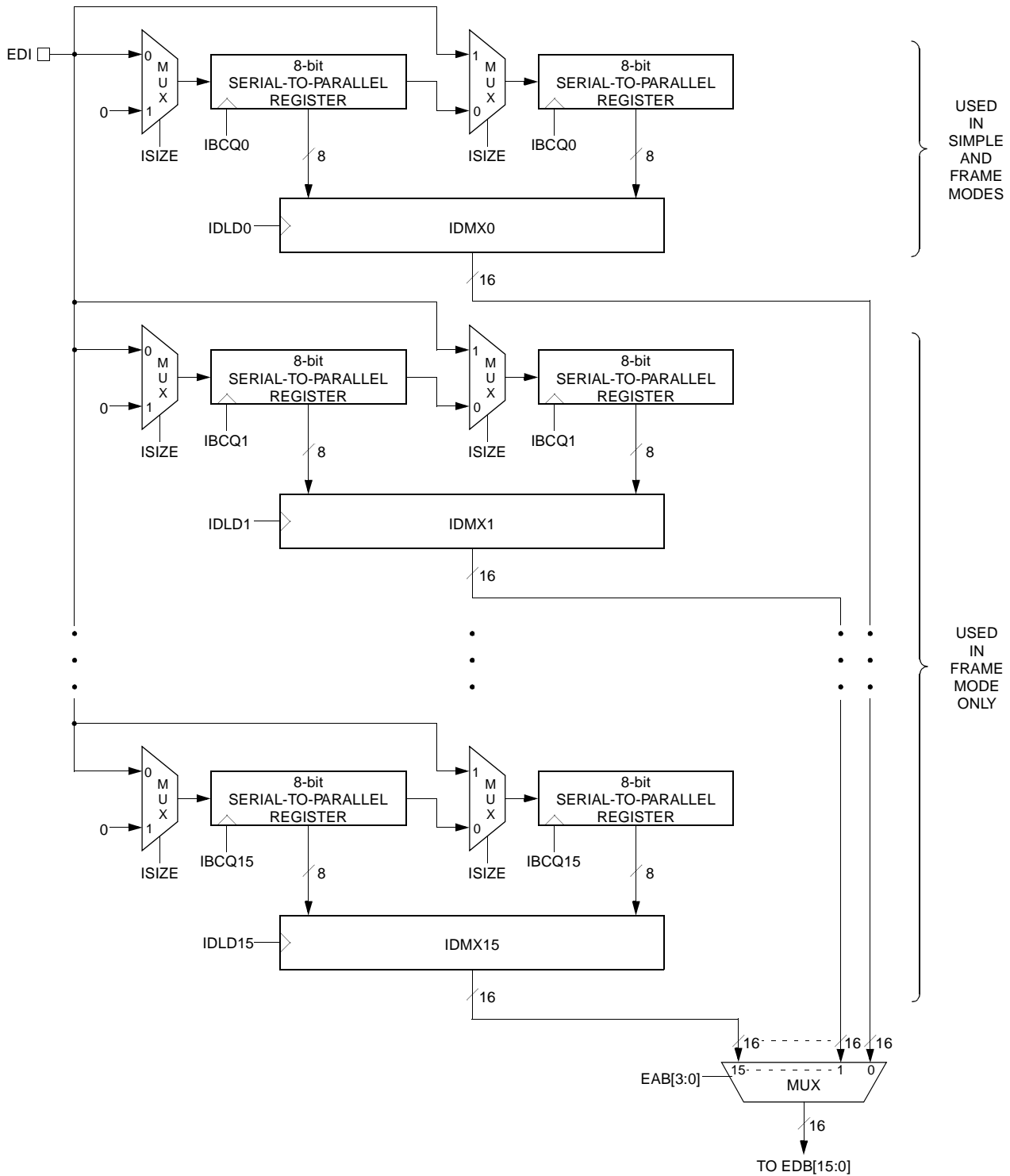


Figure 10. Input Demultiplexer (IDMX) and Register File Structure

Hardware Architecture (continued)

Enhanced Serial I/O Unit (ESIO) (continued)

Frame Input Mode Processing. The ESIO operates in frame input mode (IMODE) when (bit 8) of the **ICR** register is cleared. (IMODE is cleared on reset.) The ESIO demultiplexes multiple channels from a serial stream consisting of a frame of 64, 128, 192, or 256 bits. The input frame size (IFRMSZ) is specified by (bits [11:10]) of the **ICR** register. The start of a new frame is signaled by the rising edge of the input frame sync (IFS). The ESIO ignores input until it has detected the beginning of a valid frame. Serial data is captured by the falling edge of the input bit clock (IBC) (see [Figure 9 on page 33](#)).

See [Figure 10 on page 34](#) for a diagram of the **IDMX** structure. The input section contains 16 double-buffered 16-bit serial-to-parallel input demultiplexers with provision for either 8-bit (ISIZE = 1) or 16-bit (ISIZE = 0) right-justified data. Each logical channel has a dedicated 16-bit shift register that receives demultiplexed serial data and has a dedicated 16-bit parallel read register (**IDMX<0—15>**). Each shift register is clocked individually by IBCQ[15:0], a qualified IBC bit clock that starts when the internal bit counter matches the input logical channel start bit specified by the corresponding **ICSB<0—7>** register (see [Table 11](#)).

Table 11. Input Channel Start Bit Registers

| | 15—8 | 7—0 |
|--------------|------------|------------|
| ICSB0 | Channel 1 | Channel 0 |
| ICSB1 | Channel 3 | Channel 2 |
| ICSB2 | Channel 5 | Channel 4 |
| ICSB3 | Channel 7 | Channel 6 |
| ICSB4 | Channel 9 | Channel 8 |
| ICSB5 | Channel 11 | Channel 10 |
| ICSB6 | Channel 13 | Channel 12 |
| ICSB7 | Channel 15 | Channel 14 |

| Field | Value | Description |
|-------------------------|--------------|---|
| Channel 0 to Channel 15 | 0x00 to 0xFF | Start bit position for corresponding logical input channel. Ranges from 0 to 255. |

The clock IBCQ[15:0] is asserted in each frame for the number of cycles that matches the programmed sam-

ple length for the corresponding logical channel. The sample length is specified by one of the **ICSL<0—1>** registers (see [Table 49 on page 96](#)).

Figure 11 is a timing diagram that depicts the clock IBCQ3 assuming that the sample length is 2 bits (**ICSL0**[7:6] = 01) and the start bit is 63 (**ICSB1**[15:8] = 0x3F). In this example, bits B₆₃ and B₆₄ are clocked into the shift register for logical channel 3.

When 16 serial input bits have been captured for a given channel *n*, the ESIO asserts IDLD_{*n*} (see [Figure 10 on page 34](#)), transferring the shift register contents to the channel's parallel read register, **IDMX_{*n*}**. This transfer occurs every 2, 4, 8, or 16 frames depending on the sample length programmed for channel *n* via **ICSL<0—1>**. This serial-to-parallel transfer permits a 16-bit word of channel data to be captured (at the IBC rate) while the previous word is read by the core.

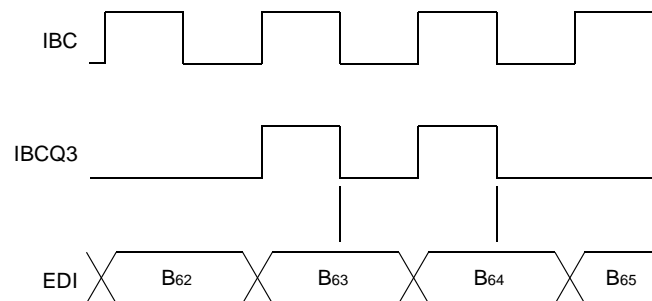


Figure 11. Serial Input Clocking Example

The ESIO is programmed to generate the input buffer full (EIBF) interrupt and assert the EIBF output pin at the completion of every 2, 4, 8, or 16 frames depending on the IFIR field of the **ICR** register ([Table 47 on page 95](#)). EIBF is cleared if the DSP program reads any of the **IDMX<0—15>** registers or if it resets the input section (writes **ICR** with the IRESET field (bit 4) set). EIBF is first asserted when the programmed number of input frames have been received following initialization of the ESIO input section. The programmer initializes the input section by simultaneously resetting it and enabling it, i.e., by writing **ICR** with the IRESET field set and the ICA field (bit 2) set. The IRESET field clears itself automatically every cycle of the internal clock (CLK). Therefore, when **ICR** is read, the value of the IRESET field is always clear.

Hardware Architecture (continued)

Enhanced Serial I/O Unit (ESIO) (continued)

Prior to initializing the input section as described above, the programmer must configure **ICVV**, **ICSB<0—7>**, and **ICSL<0—1>**. The write of **ICR** that initializes the input section must also configure the input section appropriately (IMODE, IFRMSZ, etc.). Before changing any input channel attributes (e.g., **ICVV**, IMODE), the programmer must first reset the input section. Specifically, the programmer must write **ICR** with the IRESET field (bit 4) set and the ICA field (bit 2) clear, change the attributes, and then enable the input section by writing **ICR** with the ICA field (bit 2) set.

In an environment with several different logical channel sampling lengths, the EIBF generation rate should be set to the highest serial-to-parallel transfer rate (see Table 49 on page 96). Each channel is serviced at its programmed rate when a full word of input data is provided. For example, in a system with logical channels of sample length 1, 2, and 8 bits, the highest serial-to-parallel transfer rate is every two frames and IFIR should be programmed to 0 (one EIBF every two frames). The channels with an 8-bit sample length should be serviced every EIBF interrupt, the channels with a 2-bit sample length should be serviced every four EIBF interrupts, and the channels with a 1-bit sample length should be serviced every eight EIBF interrupts.

The ITMODE field (bit 9) of **ICR** can override the serial-to-parallel transfer rate specified by **ICSL<0—1>**. When ITMODE is set to 1, data is transferred from each input shift register to all sixteen **IDMX<0—15>** registers simultaneously at the programmed IFIR frequency. The ESIO asserts EIBF for each transfer. It is not necessary to reset the ESIO prior to changing the ITMODE bit.

Note: In ITMODE, input data is not necessarily right-justified in **IDMX<0—15>**. The LSB of the data stream is continuously shifted into the MSB (8-bit or 16-bit) location of each shift register. The contents of the shift registers are transferred to the **IDMX<0—15>** registers at the alternate IFIR frequency.

The logical channels are enabled by programming the 16-bit **ICVV** register. Each bit in this register corresponds to a logical channel, e.g., bit 5 of **ICVV** corresponds to logical channel 5. When a bit in **ICVV** is set, the ESIO demultiplexes the input data stream for the corresponding channel. The bits in **ICVV** must be packed, i.e., channels must be allocated from 0 to 15 with no holes between valid channels. For example, if

ICVV contains 0x00FF, then logical channels 0—7 are enabled and demultiplexed. A value of 0x08FF for **ICVV** is invalid because the channels are not packed.

Logical channels must be assigned in increasing input channel start bit order and must not overlap. For example, if channel 4 has a start bit of 48 and a sample length of 4 bits (**ICSB2[7:0] = 0x30**; **ICSL0[9:8] = 10**), then channel 5 must have a start bit value greater than or equal to 52 (48 + 4).

The ESIO reports an input frame error (EIFE) when it is processing a valid frame and an input frame sync is detected before the number of bits in the programmed frame length (IFRMSZ in **ICR**) have been sampled. If an EIFE interrupt occurs, the DSP program should reset the input section by writing **ICR** with the IRESET bit set.

Output Section

The control registers in the ESIO output section are the output control register (**OCR**), the output channel start bit registers (**OCSB<0—7>**), the output channel sample length registers (**OCSL<0—1>**), and the output channel valid vector register (**OCVV**). The data registers are **OMX<0—15>**. All the ESIO output section registers are 16 bits and are memory mapped as illustrated in Table 12.

Table 12. ESIO Memory Map (Output Section)

| Memory Address | Register | R/W† | Memory Address | Register | R/W† |
|----------------|--------------|------|----------------|--------------|------|
| 0xE0020 | OMX0 | W | 0xE0030 | OCSB0 | R/W |
| 0xE0021 | OMX1 | W | 0xE0031 | OCSB1 | R/W |
| 0xE0022 | OMX2 | W | 0xE0032 | OCSB2 | R/W |
| 0xE0023 | OMX3 | W | 0xE0033 | OCSB3 | R/W |
| 0xE0024 | OMX4 | W | 0xE0034 | OCSB4 | R/W |
| 0xE0025 | OMX5 | W | 0xE0035 | OCSB5 | R/W |
| 0xE0026 | OMX6 | W | 0xE0036 | OCSB6 | R/W |
| 0xE0027 | OMX7 | W | 0xE0037 | OCSB7 | R/W |
| 0xE0028 | OMX8 | W | 0xE0038 | OCSL0 | R/W |
| 0xE0029 | OMX9 | W | 0xE0039 | OCSL1 | R/W |
| 0xE002A | OMX10 | W | 0xE003A | OCR | R/W |
| 0xE002B | OMX11 | W | 0xE003B | OCVV | R/W |
| 0xE002C | OMX12 | W | 0xE003C | RESERVED | |
| 0xE002D | OMX13 | W | 0xE003D | | |
| 0xE002E | OMX14 | W | 0xE003E | | |
| 0xE002F | OMX15 | W | 0xE003F | | |
| | | | | | |

† This column indicates whether the register is readable (R) and/or writable (W).

Hardware Architecture (continued)

Enhanced Serial I/O Unit (ESIO) (continued)

OCR (Table 59 on page 102) controls the configuration of the output section, including the selection of simple mode vs. frame mode. **OCVV** (Table 62 on page 103) specifies the number of active logical channels (one for simple mode and 1 through 16 for frame mode).

OCSB<0—7> (Table 60 on page 103) and **OCSL<0—1>** (Table 61 on page 103) are used only in frame mode. They specify the starting bit position and the sample length (1, 2, 4, or 8 bits) of each logical channel.

As illustrated in Figure 12, **OLEV** (bit 3) of the **OCR** register selects the polarity of the output bit clock, **EOBC**. This modified clock is the output bit clock for the output section (**OBC**). **OSLEV** (bit 8) of the **OCR** register selects whether or not the output frame sync, **EOFS**, is inverted. This modified signal is the frame sync for the output section (**OFS**).

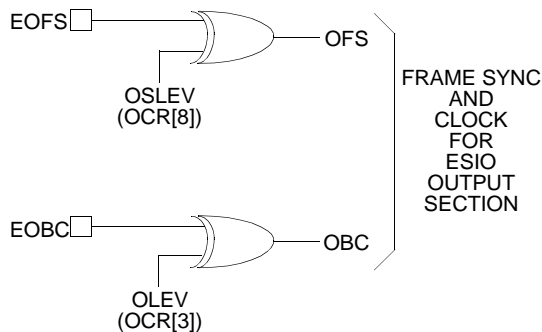


Figure 12. Output Control Signal Conditioning

As illustrated in Figure 13, the ESIO drives serial data onto the ESIO data out (**EDO**) pin the rising edge of the output bit clock (**OBC**). The rising edge of output frame sync (**OFS**) indicates that the first bit of the serial output packet or frame is driven onto **EDO** on the next rising edge of **OBC**. This edge (as captured by **OBC**) also initializes the internal bit counter to zero, and every subsequent rising edge of **OBC** increments the bit counter. In frame mode, this bit counter is used by the output control hardware to define logical channel start points and to detect output frame errors.

The ESIO asserts the **EOBE** output pin and the **EOBE** interrupt on the falling edge of **OBC** following detection of **OFS** as shown in Figure 13. **EOBE** is cleared when the DSP program writes any of the **OMX<0—15>** memory-mapped registers. **EOBE** is also cleared on device reset or if the DSP program resets the output section by writing the **OCR** register with the **ORESET** field (bit 4) set.

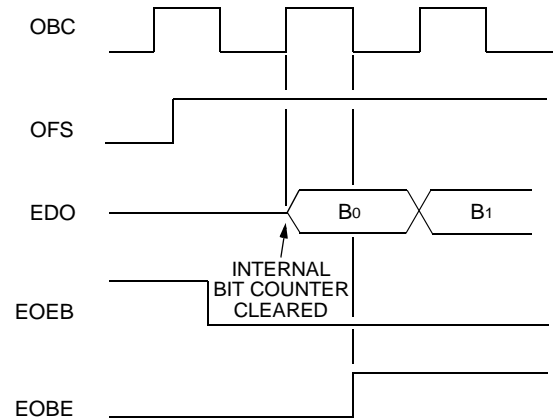


Figure 13. Output Functional Timing

The ESIO drives **EDO** only during its scheduled timeslot as illustrated in Figure 13. Otherwise **EDO** is in the high-impedance state. The other necessary conditions for the DSP16210 to drive **EDO** are:

- The **EOEB** negative-assertion input pin must be asserted (low).
- The **EDOEEO** bit in the **OCR** register (bit 6) must be set.

If **EOEB** is high or if the **EDOEEO** bit is cleared, then **EDO** is in the high-impedance state regardless of the state of ESIO output section. The **EDOEEO** bit is cleared on reset causing the **EDO** pin to be in the high-impedance state by default.

The **EDOMD** bit in **OCR** (bit 5) configures the **EDO** output pin driver as either 3-state or open-drain.

Hardware Architecture (continued)

Enhanced Serial I/O Unit (ESIO) (continued)

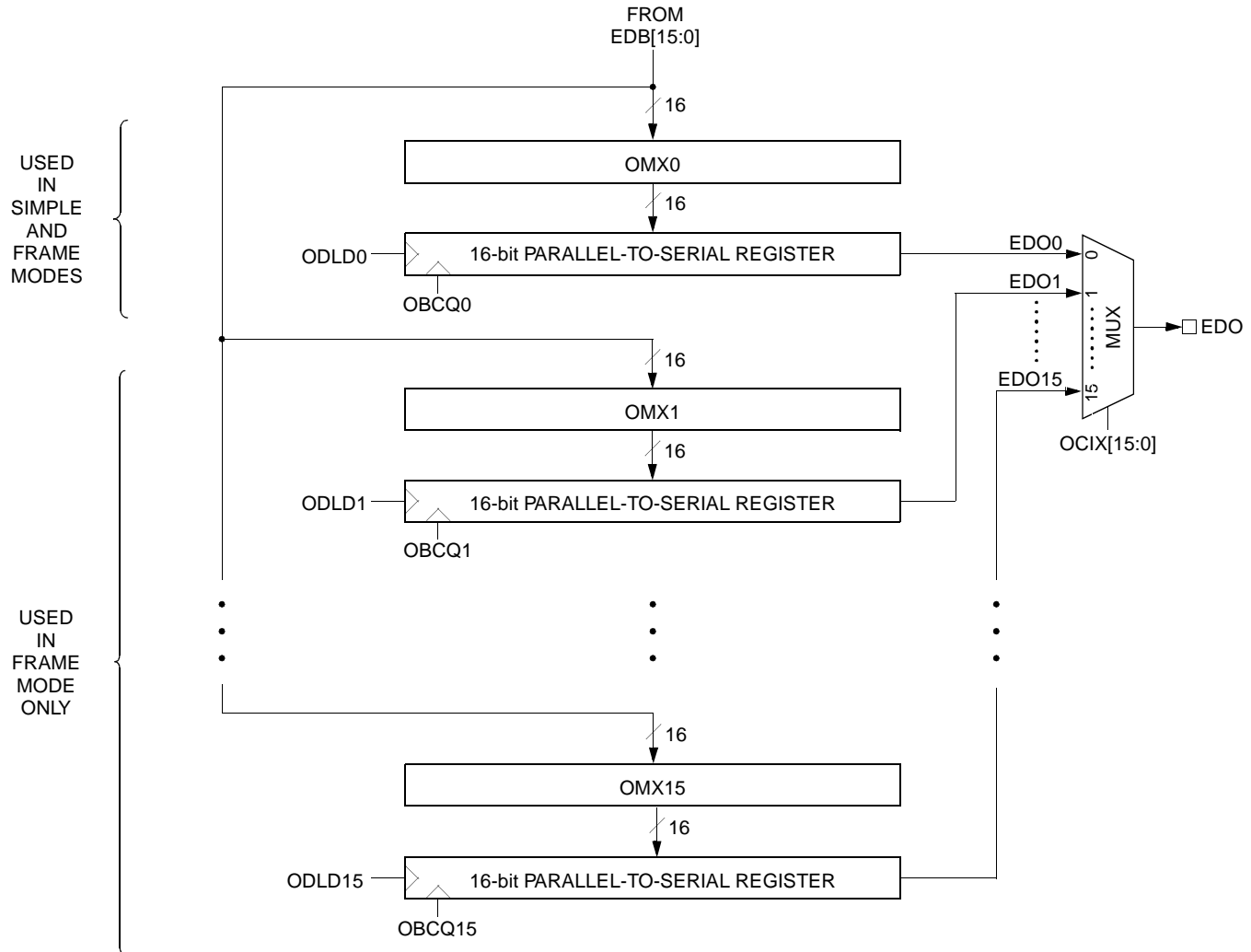


Figure 14. Output Multiplexer (OMX) and Register File Structure

Hardware Architecture (continued)

Enhanced Serial I/O Unit (ESIO) (continued)

Simple Output Mode Processing. The ESIO output block operates in simple mode when OMODE (bit 10) of the **OCR** register is set to 1. In this mode, the programmer must set the **OCVV** register to 0x0001. The ESIO disables the output frame error (EOFE) and output collision (ECOL) interrupts.

In simple mode, the ESIO supports double-buffered 8-bit and 16-bit LSB-first serial operation. Eight-bit serial operation is selected by setting OSIZE (bit 9) of the **OCR** register.

See [Figure 14 on page 38](#) for a diagram of the output multiplexer structure. The program writes 8-bit or 16-bit data into the **OMX0** register. (8-bit data must be right-justified in **OMX0**). On the rising edge of the first OBC clock after frame sync (OFS) detection, the data is transferred from **OMX0** to the 16-bit parallel-to-serial register (ODLD0 in [Figure 14](#) is asserted). During this same OBC clock (illustrated as OBCQ0 in [Figure 14](#)), the LSB of the data (B₀) is applied to the EDO pin. On each subsequent rising edge of OBC, the remaining bits are applied to EDO. The simple mode output timing diagram (for OLEV = 0, OSLEV = 0, and OSIZE = 0) is illustrated in [Figure 53 on page 167](#).

Frame Output Mode Processing. The ESIO operates in frame output mode when OMODE (bit 10) of the **OCR** register is cleared. (OMODE is cleared on reset.) The ESIO multiplexes up to 16 channels of data onto a serial stream consisting of a frame of 64, 128, 192, or 256 bits. The frame size is specified by OFRMSZ (bits [13:12]) of the **OCR** register. The start of a new frame is signaled by the rising edge of the output frame sync (OFS). Serial data is captured by the falling edge of the output bit clock (OBC) (see [Figure 13 on page 37](#)).

See [Figure 14 on page 38](#) for a diagram of the output multiplexed into EDO. The output section contains 16 double-buffered 16-bit parallel-to-serial output multiplexers. Each logical channel has a dedicated 16-bit parallel write register (**OMX<0—15>**) and has a dedicated 16-bit shift register that transmits serial data for that channel. Each shift register is clocked individually by OBCQ[15:0], a qualified OBC bit clock that starts when the internal bit counter matches the output logical channel start bit specified by the corresponding **OCSB<0—7>** register (see [Table 13](#)).

Table 13. Output Channel Start Bit Registers

| | 15—8 | 7—0 |
|--------------|------------|------------|
| OCSB0 | Channel 1 | Channel 0 |
| OCSB1 | Channel 3 | Channel 2 |
| OCSB2 | Channel 5 | Channel 4 |
| OCSB3 | Channel 7 | Channel 6 |
| OCSB4 | Channel 9 | Channel 8 |
| OCSB5 | Channel 11 | Channel 10 |
| OCSB6 | Channel 13 | Channel 12 |
| OCSB7 | Channel 15 | Channel 14 |

| Field | Value | Description |
|-------------------------|--------------|--|
| Channel 0 to Channel 15 | 0x00 to 0xFF | Start bit position for corresponding logical output channel. Ranges from 0 to 255. |

OMX<0—15> are 16-bit write-only memory-mapped registers that are written if the core writes to the corresponding memory location (see [Table 12 on page 36](#)). The ESIO asserts ODLD_n for logical channel *n* (see [Figure 14 on page 38](#)) to load the channel's parallel-to-serial register with the contents of the **OMX_n** register. All 16 parallel-to-serial registers are loaded simultaneously when the first frame sync (OFS) is asserted following initialization of the output section. (See the following discussion for a description of output section initialization.) The parallel-to-serial register for channel *n* is subsequently loaded (ODLD_n asserted) every 2, 4, 8, or 16 frames depending on the sample length programmed for channel *n* via **OCSL<0—1>** (see [Table 61 on page 103](#)). This transfer permits the core to write a new 16-bit word of channel data into **OMX_n** while the old word is shifted out serially.

Hardware Architecture (continued)

Enhanced Serial I/O Unit (ESIO) (continued)

The clock OBCQ[15:0] is asserted in each frame for the number of cycles that matches the programmed sample length for the corresponding logical channel. The sample length is specified by one of the **OCSL<0—1>** registers (see [Table 61 on page 103](#)).

Figure 15 is a timing diagram of the clock OBCQ3, the bit clock for logical channel 3, assuming that the sample length is 2 bits (**OCSL0**[7:6] = 01) and the start bit is 63 (**OCSB1**[15:8] = 0x3F). In Figure 15, D₀ is the LSB and the initial output of the channel 3 parallel-to-serial register (EDO3). The ESIO asserts the OCIX3 signal during the time slot for logical channel 3, enabling EDO3 onto the EDO pin (see [Figure 14 on page 38](#)). OBCQ3 is asserted for two cycles, shifting the parallel-to-serial register contents by two bit positions, leaving D₂ on EDO3 for the next frame.

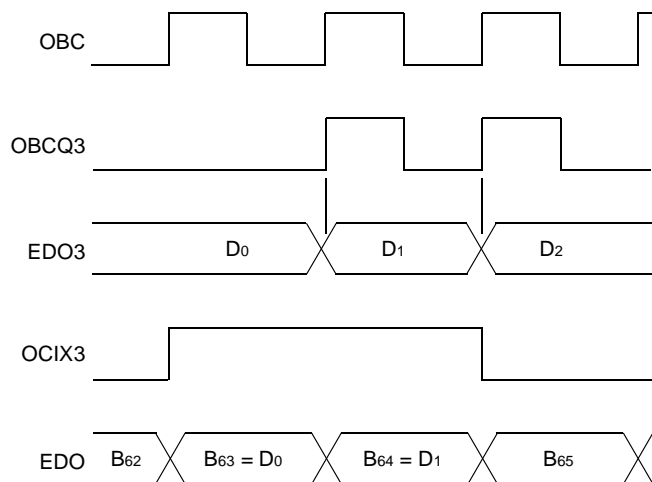


Figure 15. Serial Output Clocking Example

The ESIO asserts the EOBEO output pin and the EOBEO interrupt on the falling edge of OBC after the detection of the first OFS following output section initialization. (See [Figure 13 on page 37](#) for an illustration of EOBEO timing and the discussion below for a description of output section initialization.) EOBEO is cleared when the DSP program writes any of the **OMX<0—15>** memory-mapped registers. EOBEO is also cleared on device reset or if the DSP program resets the output section by writing the **OCR** register with the ORESET field (bit 4) set. The ESIO reasserts EOBEO at the completion of every 2, 4, 8, or 16 frames depending on the OFIR field (bits [1:0]) of the **OCR** register ([Table 59 on page 102](#)).

The programmer initializes the output section by simultaneously resetting it and enabling it, i.e., by writing **OCR** with the ORESET field set and the OCA field (bit 2) set. The ORESET field clears itself automatically every cycle of the internal clock (CLK). Therefore, when **OCR** is read, the value of the ORESET field is clear.

Prior to initializing the output section as described above, the programmer must configure **OCVV**, **OCSB<0—7>**, and **OCSL<0—1>**. The write of **OCR** that initializes the output section must also configure the output section appropriately (OMODE, OFRMSZ, etc.). Before changing any output channel attributes (e.g., **OCVV**, OMODE), the programmer must first reset the output section. Specifically, the programmer must write **OCR** with the ORESET field (bit 4) set and the OCA field (bit 2) clear, change the attributes, and then enable the output section by writing **OCR** with the OCA field (bit 2) set.

In an environment with several different logical channel sampling lengths, the EOBEO generation rate should be set to the highest parallel-to-serial transfer rate (see [Table 61 on page 103](#)). Each channel is serviced at its programmed rate when a full word of output data has been transmitted. For example, in a system with logical channels of sample length 1, 2, and 8 bits, the highest parallel-to-serial transfer rate is every 2 frames and OFIR should be programmed to 0 (one EOBEO every 2 frames). The channels with an 8-bit sample length should be serviced every EOBEO interrupt, the channels with a 2-bit sample length should be serviced every four EOBEO interrupts, and the channels with a 1-bit sample length should be serviced every eight EOBEO interrupts.

The OTMODE field (bit 11) of **OCR** can override the parallel-to-serial transfer rate specified by **OCSL<0—1>**. When OTMODE is set to 1, data is transferred from each **OMX<0—15>** register to all 16 output shift registers simultaneously at the programmed OFIR frequency.

The logical channels are enabled by programming the 16-bit **OCVV** register. Each bit in this register corresponds to a logical channel, e.g., bit 5 of **OCVV** corresponds to logical channel 5. When a bit in **OCVV** is set, the ESIO multiplexes the output serial stream with data from the corresponding channel. The bits in **OCVV** must be packed, i.e., channels must be allocated from 0 to 15 with no holes between valid channels. For example, if **OCVV** contains 0x00FF, then logical channels 0—7 are enabled and multiplexed. A value of 0x08FF for **OCVV** is invalid because the channels are not packed.

Hardware Architecture (continued)

Enhanced Serial I/O Unit (ESIO) (continued)

Logical channels must be assigned in increasing output channel start bit order and must not overlap. For example, if channel 4 has a start bit of 48 and a sample length of 4 bits (**OCSB2**[7:0] = 0x30; **OCSL0**[9:8] = 10), then channel 5 must have a start bit value greater than or equal to 52 (48 + 4).

The ESIO reports an output frame error (EOFE) when it is processing a valid frame and an output frame sync is detected before the number of bits in the programmed frame length (**OFRMSZ** in **OCR**) have been transmitted. If an EOFE interrupt occurs, the DSP pro-

gram should reset the output section by writing **OCR** with the ORESET bit set.

When driving output data in frame mode with EDO programmed as an open-drain device (**EDOMD** = 1 and **EDOEO** = 1), the ESIO samples the EDO pin every EOBC clock cycle. If the sampled value is not the intended output value, the ESIO has collided with another serial bus agent. When a bus collision is detected, the ESIO asserts the output collision interrupt (**ECOL**). The DSP program clears **ECOL** by writing **OCR** with either the ORESET field (bit 4) or the CRESET field (bit 7) set.

Table 14 summarizes the ESIO interrupts. See [Table 7 on page 23](#) for information on request clearing latency for these interrupts.

Table 14. ESIO Interrupts

| Interrupt | Name | Description | | Cleared By |
|-------------------|---------------------|-------------------------|--|---|
| EIBF | Input Buffer Full | Simple Mode (IMODE = 1) | Asserted if a programmed number of input bits (8 or 16 depending on ISIZE (ICR [7])) have been captured following assertion of the input frame sync. | Any of the following: <ul style="list-style-type: none"> ■ Device reset. ■ DSP program reads any of IDMX(0—15). ■ The DSP program sets the IRESET field (ICR[4]). |
| | | Frame Mode (IMODE = 0) | Asserted after <i>N</i> input frames (<i>N</i> = 2, 4, 8, or 16, depending on IFIR[1:0] (ICR [1:0])) have been received following input section initialization [†] . If ICA (ICR [2]) remains set, EIBF is reasserted after every subsequent <i>N</i> frames have been received. | |
| EIFE [‡] | Input Frame Error | Frame Mode (IMODE = 0) | Asserted if the input section is processing a valid frame and an input frame sync is detected before the number of bits specified by IFRMSZ[1:0] (ICR [11:10]) have been sampled. | The DSP program sets the IRESET field (ICR [4]). |
| EOBE | Output Buffer Empty | Simple Mode (OMODE = 1) | Asserted after the first bit (LSB) has been output. | Any of the following: <ul style="list-style-type: none"> ■ Device reset. ■ DSP program writes any of OMX(0—15). ■ The DSP program sets the ORESET field (OCR[4]). |
| | | Frame Mode (OMODE = 0) | Asserted after the first bit (LSB) of the first frame has been output following output section initialization [§] . If OCA (OCR [2]) remains set, EOBE is reasserted at the completion of every 2, 4, 8, or 16 frames depending on OFIR[1:0] (OCR [1:0]). | |
| EOFE [‡] | Output Frame Error | Frame Mode (OMODE = 0) | Asserted if the output section is processing a valid frame and an output frame sync is detected before the number of bits in the programmed frame length OFRMSZ [1:0] (OCR [13:12]) have been transmitted. | The DSP program sets the IRESET field. |
| ECOL [‡] | Output Collision | Frame Mode (OMODE = 0) | Asserted if EDO is an open-drain output (EDOMD (OCR [5]) = 1 and EDOEO (OCR [6]) = 1) and the sampled EDO pin value is not the intended output value. | The DSP program sets the ORESET field (OCR [4]) or the CRESET field (OCR [7]). |

[†] The DSP program initializes the input section by setting IRESET (**ICR**[4]) and ICA (**ICR**[2]).

[‡] This interrupt is disabled in simple mode.

[§] The DSP program initializes the output section by setting ORESET (**OCR**[4]) and OCA (**OCR**[2]).

Hardware Architecture (continued)

Modular I/O Units (MIOUs)

The DSP16210 contains two identical modular I/O units: MIOU0 (provides DMA for the PHIF16) and MIOU1 (provides DMA for the SSIO).

An MIOU provides programmable DMA capability. Figure 16 shows the MIOUs, their connections to the IORAMs, the attached I/O peripherals, and the IDB. Each MIOU interfaces its attached peripheral to a single 1 Kword bank of IORAM storage that resides in the DSP16000 core's Y-memory space. Input and output buffers for each peripheral are allocated in each IORAM.

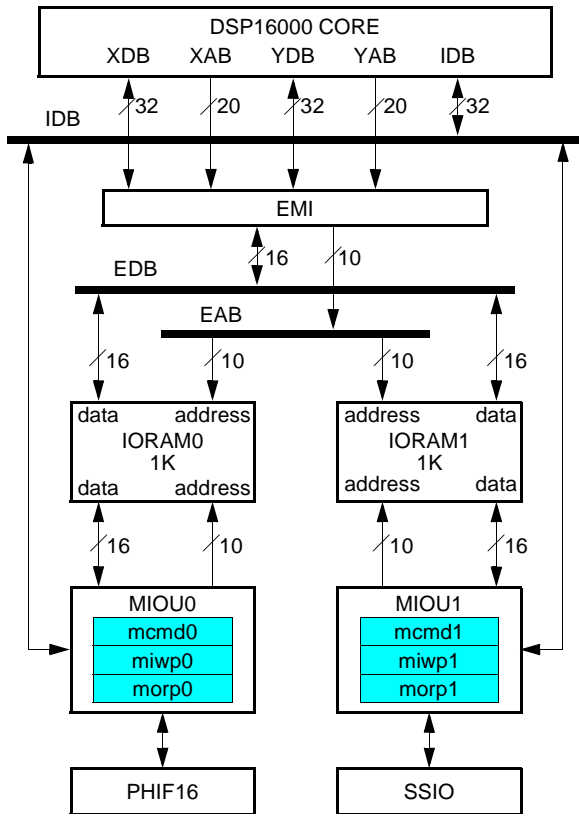


Figure 16. Modular I/O Units

IORAM

IORAM storage consists of two 1 Kword banks of memory, IORAM0 and IORAM1. Each IORAM bank has two 16-bit data and two 10-bit address ports. An IORAM bank can be shared by the core and an MIOU to implement a DMA-based I/O system. IORAM supports concurrent core execution and MIOU I/O processing.

Portions of IORAM not dedicated to I/O processing can be used as general-purpose data storage. However, a high collision rate between core and MIOU accesses to IORAM impacts core and I/O performance.

The IORAMs reside in the core's Y-memory space (see Figure 6 on page 26). The EMI interfaces the core to the IORAMs by translating between YAB/YDB accesses and EAB/EDB accesses. This translation is functionally transparent to the programmer. The core can access the IORAM as single words or as double words and the EMI automatically performs the required multiplexing and sequencing. Core accesses to IORAM cause the core to incur wait-states (see External Memory Interface (EMI) beginning on page 27). If the core and an MIOU simultaneously access the same IORAM, the MIOU access occurs first followed by the core access and the core incurs a conflict wait-state.

MIOU Registers

For each MIOU, software controls DMA operations by programming three registers that are directly program-accessible: **mcmd** $\langle 0,1 \rangle$, **miwp** $\langle 0,1 \rangle$, and **morp** $\langle 0,1 \rangle$. See Table 16 on page 43 for a description of these registers.

In the DSP16000 instruction set, **mcmd** $\langle 0,1 \rangle$, **miwp** $\langle 0,1 \rangle$, and **morp** $\langle 0,1 \rangle$ are off-core registers in the RAB and RB register sets. Table 15 summarizes the instructions for programming these registers.

Table 17 on page 43 summarizes the MIOU registers that are accessible by executing an MIOU command. Software executes an MIOU command by writing to **mcmd** $\langle 0,1 \rangle$. See MIOU Commands beginning on page 43 for more information.

Table 15. Instructions for Programming MIOU Registers

| Instruction Syntax | Substitution | | Example |
|-------------------------|--------------|--|----------------|
| RAB = IM20 | RAB | mcmd $\langle 0,1 \rangle$, miwp $\langle 0,1 \rangle$, or morp $\langle 0,1 \rangle$ | mcmd0 = 0x6000 |
| RB = aTE <h, l=""></h,> | RB | mcmd $\langle 0,1 \rangle$, miwp $\langle 0,1 \rangle$, or morp $\langle 0,1 \rangle$ | miwp1 = a3h |
| aTE <h, l=""> = RB</h,> | | | a01 = morp0 |

Hardware Architecture (continued)

Modular I/O Units (MIOUs) (continued)

MIOU Registers (continued)

Table 16. MIOU<0,1> 16-Bit Directly Program-Accessible Registers

| Register | Function | Encoding | |
|--|--|--|--|
| mcmd<0,1> (Write Only) | MIOU<0,1> Command Register. Instructions write commands to this register to control the MIOU<0,1> state and to configure other write-only registers. These other registers are the attached peripheral's control register (PHIFC or SSIOC) and the MIOU's internal command-accessible registers (see Table 17). | 15—12 | 11—0 |
| | | Opcode | Parameter |
| | | The 4-bit opcode specifies the command to be executed. The 12-bit parameter is data used by the command. | |
| miwp<0,1> (Read/Write) | MIOU<0,1> Input Write Pointer. Contains the address of the IORAM<0,1> location to which the attached peripheral will write its next input sample†. After the sample is written, the MIOU<0,1> increments miwp<0,1> . | 15—10 | 9—0 |
| | | Reserved | Input Write Pointer (IORAM<0,1> Address) |
| morp<0,1> (Read/Write) | MIOU<0,1> Output Read Pointer. Contains the address of the IORAM<0,1> location from which the attached peripheral will read its next output sample†. After the sample is read, the MIOU<0,1> increments morp<0,1> . | 15—10 | 9—0 |
| | | Reserved | Output Read Pointer (IORAM<0,1> Address) |

† Regardless of the size of the sample within the peripheral (8-bit or 16-bit), each sample uses one 16-bit IORAM location and is right-justified. The attached peripheral places each 8-bit input sample into the least significant byte of the 16-bit IORAM location and reads each 8-bit output sample from the least significant byte of the 16-bit IORAM location.

Table 17. MIOU Write-Only Command-Accessible Registers

| Block | Register | Description | Size (bits) | Block | Register | Description | Size (bits) |
|-------|--------------|-----------------------------|-------------|-------|--------------|-----------------------------|-------------|
| MIOU0 | PHIFC | PHIF16 control | 12 | MIOU1 | SSIOC | SSIO control | 12 |
| | IBAS0 | Input buffer base address | 10 | | IBAS1 | Input buffer base address | 10 |
| | ILIM0 | Input buffer limit address | 10 | | ILIM1 | Input buffer limit address | 10 |
| | ILEN0 | Input length counter† | 12 | | ILEN1 | Input length counter† | 12 |
| | OBAS0 | Output buffer base address | 10 | | OBAS1 | Output buffer base address | 10 |
| | OLIM0 | Output buffer limit address | 10 | | OLIM1 | Output buffer limit address | 10 |
| | OLEN0 | Output buffer length | 11 | | OLEN1 | Output buffer length | 11 |

† **ILEN0** and **ILEN1** are signed registers in two's complement format.

MIOU Commands

Table 18 on page 44 describes the encoding of **mcmd<0,1>**. Software executes an MIOU<0,1> command by writing to **mcmd<0,1>**. A command consists of a 4-bit opcode and a 12-bit parameter. See the code segment examples below:

```
mcmd0 = 0x0155    /* Load IBAS0 with IORAM0 address 0x155    */
mcmd1 = 0x6000    /* Reset MIOU1                                          */
```

Hardware Architecture (continued)

Modular I/O Units (MIOUs) (continued)

MIOU Commands (continued)

Table 18. MIOU<0,1> Command (mcmd<0,1>) Register

| 15—12 | | | 11—0 | | |
|-------------|--|--------------------|----------------------------------|------------------|---|
| Opcode[3:0] | | Parameter[11:0] | | | |
| Opcode[3:0] | Parameter[11:0] | | Command | Command Mnemonic | Action |
| 0x0 | 10-bit IORAM input buffer base address. | 0xNNN [†] | Load IBAS<0,1> | IBAS<0,1>_LD | IBAS<0,1> ← 0xNNN |
| 0x1 | 10-bit IORAM input buffer limit address. | 0xNNN [†] | Load ILIM<0,1> | ILIM<0,1>_LD | ILIM<0,1> ← 0xNNN |
| 0x2 | 10-bit IORAM output buffer base address. | 0xNNN [†] | Load OBAS<0,1> | OBAS<0,1>_LD | OBAS<0,1> ← 0xNNN |
| 0x3 | 10-bit IORAM output buffer limit address. | 0xNNN [†] | Load OLIM<0,1> | OLIM<0,1>_LD | OLIM<0,1> ← 0xNNN |
| 0x4 | 11-bit unsigned input length update amount. | 0xNNN [‡] | Update ILEN<0,1> | ILEN<0,1>_UP | ILEN<0,1> ← ILEN<0,1> + 0xNNN Activate [§] peripheral service in MIOU<0,1>. |
| 0x5 | 11-bit unsigned output length update amount. | 0xNNN [‡] | Update OLEN<0,1> | OLEN<0,1>_UP | OLEN<0,1> ← OLEN<0,1> + 0xNNN |
| 0x6 | Must be zero. | 0x000 | Reset MIOU<0,1> | RESET<0,1> | Initialize MIOU<0,1> control state and deactivate ^{††} MIOU<0,1> peripheral service. See Table 19 for the effect of reset on MIOU<0,1> interrupts and registers. |
| 0x7 | 12-bit value for peripheral control register (PHIFC or SSIOC ^{††}). | 0xNNN | Load Peripheral Control | PCTL<0,1>_LD | PHIFC ← 0xNNN (for MIOU0) or SSIOC ← 0xNNN (for MIOU1) |
| 0x8 | Must be zero. | 0x000 | Input Disable | INPT<0,1>_DS | Disable MIOU<0,1> input processing. (Input processing is re-enabled by executing a subsequent ILEN<0,1>_UP command.) |
| 0x9—0xF | Reserved. | | | | |

[†] 0xNNN is a 12-bit number for which the ten least significant bits (bits [9:0]) are an IORAM<0,1> address and the two most significant bits (bits [11:10]) must be 0.

[‡] 0xNNN is a 12-bit unsigned number for which the most significant bit (bit 11) must be 0.

[§] Or reactivate peripheral service in MIOU<0,1> if it has been deactivated by a prior RESET<0,1> command.

^{††} Subsequent execution of an ILEN_UP<0,1> command reactivates MIOU<0,1> peripheral service.

^{†††} See Table 63 on page 104 and Table 70 on page 110.

Table 19. Effect of Reset on MIOU Interrupts and Registers

| Type | Name | Reset [†] Value | Type | Name | Reset [†] Value |
|-----------|------------------------|--------------------------|----------|------------------------|--------------------------|
| Interrupt | MIBF<0,1> | 0 | Register | ILEN<0,1> | 0xFFF (-1) |
| | MOBE<0,1> | 1 | | ILIM<0,1> | — |
| Register | miwp<0,1> | 0x000 | | OLIM<0,1> | |
| | morp<0,1> | 0x000 | | OBAS<0,1> | |
| | OLEN<0,1> | 0x000 | | IBAS<0,1> | |

[†] Either pin reset or execution of an MIOU<0,1> RESET command.

Hardware Architecture (continued)

Modular I/O Units (MIOUs) (continued)

I/O Buffer Configuration

The application allocates a portion of IORAM $\langle 0,1 \rangle$ for an input (output) buffer by programming the input (output) base register **IBAS $\langle 0,1 \rangle$** (**OBAS $\langle 0,1 \rangle$**) and the input (output) limit register **ILIM $\langle 0,1 \rangle$** (**OLIM $\langle 0,1 \rangle$**). The base register specifies the first IORAM $\langle 0,1 \rangle$ location in the buffer and the limit register specifies the last IORAM $\langle 0,1 \rangle$ location in the buffer. The size of the input buffer is **ILIM $\langle 0,1 \rangle$ - IBAS $\langle 0,1 \rangle$ + 1**. The size of the output buffer is **OLIM $\langle 0,1 \rangle$ - OBAS $\langle 0,1 \rangle$ + 1**. MIOU $\langle 0,1 \rangle$ circularly advances **miwp $\langle 0,1 \rangle$** (**morp $\langle 0,1 \rangle$**) within the frame defined by the input (output) base and input (output) limit registers. Figure 17 illustrates the input and output buffer configuration.

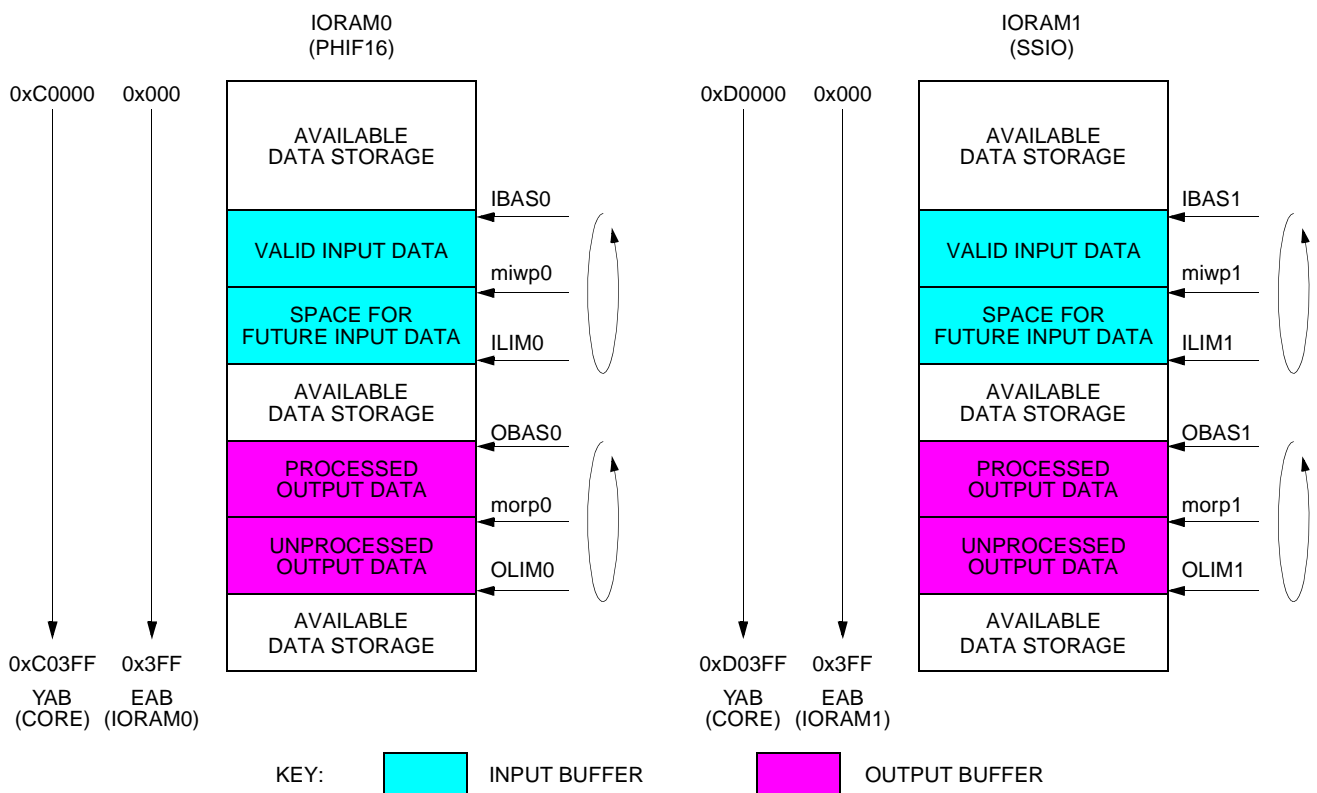


Figure 17. Input and Output Buffer Configuration in IORAM $\langle 0,1 \rangle$

The following example code segment initializes the **IBAS0** register:

```
#define ibase0 0x0100          /* IORAM0 location 0x100 (parameter) */
#define WRibase0 0x0000      /* MIOU command to load IBAS0 (opcode) */
a3 = WRibase0 | ibase0      /* OR to concatenate opcode and parameter */
mcmd0 = a3                  /* Issue command IBAS0_LD */
```

MIOU $\langle 0,1 \rangle$ increments **miwp $\langle 0,1 \rangle$** each time it transfers an input sample from the peripheral to IORAM $\langle 0,1 \rangle$. When **miwp $\langle 0,1 \rangle$** equals **ILIM $\langle 0,1 \rangle$** , MIOU $\langle 0,1 \rangle$ loads **miwp $\langle 0,1 \rangle$** with the contents of **IBAS $\langle 0,1 \rangle$** at the completion of the following input transaction. MIOU $\langle 0,1 \rangle$ increments **morp $\langle 0,1 \rangle$** each time it transfers an output sample from IORAM $\langle 0,1 \rangle$. When **morp $\langle 0,1 \rangle$** equals **OLIM $\langle 0,1 \rangle$** , MIOU $\langle 0,1 \rangle$ loads **morp $\langle 0,1 \rangle$** with the contents of **OBAS $\langle 0,1 \rangle$** at the completion of the following output transaction.

Hardware Architecture (continued)

Modular I/O Units (MIOUs) (continued)

Length Counters and MIOU Interrupts

ILEN<0,1> is the input length counter register that contains a 12-bit two's complement number. It contains an initial value of -1 following reset or execution of a RESET<0,1> command. Execution of an ILEN<0,1>_UP command adds the command's parameter value to **ILEN<0,1>** and causes MIOU<0,1> to begin input processing. MIOU<0,1> decrements **ILEN<0,1>** each time it transfers an input sample from the peripheral to the IORAM<0,1>. The input buffer full interrupt MIBF<0,1> is asserted when **ILEN<0,1>** makes a transition from 0 to -1. This provides a means of input flow control (see [DMA Input Flow Control](#) for more information). After MIBF<0,1> is asserted, MIOU<0,1> continues input processing and continues to decrement **ILEN<0,1>** so that core and MIOU<0,1> processing is concurrent. The software must ensure that the content of **ILEN<0,1>** is within the range +1024 to -1023. If **ILEN<0,1>** exceeds this range, MIBF<0,1> is not valid, the MIOU<0,1> operation is undefined, and the software must execute a RESET<0,1> command.

OLEN<0,1> is the output length counter register that contains an 11-bit unsigned number. It contains an initial value of 0 following reset or execution of a RESET<0,1> command. Execution of an OLEN<0,1>_UP command adds the command's parameter value to **OLEN<0,1>**. If an initial ILEN<0,1>_UP command¹ has been previously executed, the execution of OLEN<0,1>_UP causes MIOU<0,1> to begin output processing. If an initial ILEN<0,1>_UP command has not been previously executed, then MIOU<0,1> does not begin output processing until an ILEN<0,1>_UP command is issued. MIOU<0,1> decrements **OLEN<0,1>** each time it transfers an output sample from the IORAM<0,1> to the peripheral. The output buffer empty interrupt MOBE<0,1> is asserted and MIOU<0,1> stops output processing when **OLEN<0,1>** reaches 0. This provides a means of output flow control (see [DMA Output Flow Control](#) for more information). The software must ensure that the contents of **OLEN<0,1>** does not exceed 1024. If **OLEN<0,1>** exceeds 1024, the MIOU<0,1> operation is undefined and the software must execute a RESET<0,1> command.

Table 20 summarizes the MIOU interrupts MIBF<0,1> and MOBE<0,1>.

Table 20. MIOU Interrupts

| Interrupt | Condition to Assert | Condition to Clear |
|-----------|---|---|
| MIBF<0,1> | ILEN<0,1> decrements below zero. | Software issues ILEN<0,1>_UP command resulting in ILEN<0,1> ≥ 0. |
| | | Software issues a RESET<0,1> command. Pin is reset. |
| MOBE<0,1> | OLEN<0,1> decrements to zero. | Software issues OLEN<0,1>_UP command resulting in OLEN<0,1> > 0. |
| | Software issues a RESET<0,1> command. Pin reset. | |

DMA Input Flow Control

Prior to configuring the MIOU input control registers (**miwp<0,1>**, **IBAS<0,1>**, and **ILIM<0,1>**), the user's software must execute the RESET<0,1> command. This ensures that MIOU<0,1> peripheral service operations do not disturb the register configuration. The software then executes an ILEN<0,1>_UP command to begin input operations.

The core and MIOU<0,1> cooperate to manage the input flow by updating **ILEN<0,1>**. Typically, software initializes **ILEN<0,1>** with the logical buffer size (number of samples), L1, of the first input transaction. When MIBF<0,1> is asserted, software processes the first logical buffer (using L1) and issues an ILEN<0,1>_UP command with a parameter equal to the number of samples in the next logical buffer (L2). MIOU<0,1> and core processing are concurrent, so the MIOU<0,1> fills the new buffer while the first buffer is processed by the core.

1. The initial ILEN<0,1>_UP command after reset activates MIOU<0,1> and its attached peripheral.

Hardware Architecture (continued)

Modular I/O Units (MIOUs) (continued)

DMA Input Flow Control (continued)

The $I\text{LEN}\langle 0,1\rangle_UP$ command is an accumulating operation that permits I/O and core processing to be overlapped and the logical buffer structure to be enforced by synchronizing $MIBF\langle 0,1\rangle$ interrupts. If $I\text{LEN}\langle 0,1\rangle_UP$ operations (L1 and L2) are issued without synchronizing with an intervening $MIBF\langle 0,1\rangle$, the subsequent $MIBF\langle 0,1\rangle$ interrupt occurs when the (L1 plus L2) samples are processed.

The assertion of $MIBF\langle 0,1\rangle$ does not necessarily imply that all input buffer resources are exhausted (as IBF does for the SSIO). $MIBF\langle 0,1\rangle$ is a flow control signal and does not affect $MIOU\langle 0,1\rangle$ processing of input or output data.

DMA Output Flow Control

The core and $MIOU\langle 0,1\rangle$ cooperate to manage the output flow by updating $O\text{LEN}\langle 0,1\rangle$. Typically, software initializes $O\text{LEN}\langle 0,1\rangle$ with the logical buffer size (number of samples), L1, of the first input transaction. When $MOBE\langle 0,1\rangle$ is asserted, software processes the first logical buffer (using L1) and issues an $O\text{LEN}\langle 0,1\rangle_UP$ command with a parameter equal to the number of samples in the next logical buffer (L2). $MIOU\langle 0,1\rangle$ and core processing are concurrent, so the $MIOU\langle 0,1\rangle$ fills the new buffer while the first buffer is processed by the core.

$MIOU\langle 0,1\rangle$ produces a busy flag $MBUSY\langle 0,1\rangle$ that indicates that it has unfinished output operations pending. When this signal is cleared, all scheduled output transfers are complete and the core can safely enter low-power standby mode. $MIOU0$ produces the software-visible $MBUSY0$ condition flag in **alf** register bit 4. $MIOU1$ produces the software-visible $MBUSY1$ condition flag in **alf** register bit 5. (See [Table 37 on page 85](#) and [Table 42 on page 91](#).)

MIOU Performance

The MIOU supports a maximum throughput of a single 16-bit input word or a single 16-bit output word every four DSP clock periods (maximum sustained throughput of $CLK/4$ words/second).

External timing constraints may not permit an external device to drive at these rates. In addition, this maximum rate is reduced by core-MIOU IORAM collisions.

Powering Down an MIOU

An MIOU remains powered up and operational in low-power standby mode. (Its clock remains running and is not stopped when **AWAIT** (**alf**[15]) is set.)

The program powers down an MIOU by setting $MIOU0$ (bit 2) or $MIOU1$ (bit 3) of the **powerc** register (see [Table 65 on page 106](#)). If an MIOU is powered down, then some of its internal state information is lost. Therefore, an MIOU should be powered down only under one of the following two conditions:

1. The MIOU is not required in the application.
2. After powering down the MIOU and then powering it up, the application reinitializes the MIOU by executing an MIOU RESET command (see [MIOU Commands beginning on page 43](#)).

Hardware Architecture (continued)

Modular I/O Units (MIOUs) (continued)

MIOU Command Latencies

As a consequence of the pipelined IDB (internal data bus), there is a write-to-read latency for data move instructions that access peripheral (off-core) registers. DSP initiated MIOU operations incur a delay before completion of the operation can be observed in a DSP flag or register. These latencies are summarized in Table 21.

Table 21. MIOU Command Latencies

| MIOU Command† | Subsequent Instruction† | Latency (Cycles) | Example | |
|---------------------------------------|--|------------------|--|---|
| mcmd<0,1> = <ILEN_UP, OLEN_UP, RESET> | ireturn (return from interrupt service routine) | 4 | mcmd0=0x4010 4*nop ireturn | ILEN_UP command clears MIBF0 request. 4 nops are needed to avoid unintentional re-entry into ISR. |
| | ins = <REG, MEM> (clear interrupt pending bit within a polling routine) | 6 | mcmd1=0x6000 6*nop ins=0x00008 a0=ins | RESET command clears MIBF1 request and sets MOBE1 request. 6 nops are needed before MIBF1 bit in ins can be cleared. |
| mcmd<0,1> = OLEN_UP | <REG, MEM> = alf (poll MBUSY1 in alf) | 5 | mcmd1=0x5001 5*nop if mbusy1 goto wait | Five instruction cycles are required between an OLEN update and the test of the MBUSY1 flag for completion of the corresponding output operation. |
| | if mbusy<0,1> INSTR (poll MBUSY1 with conditional instruction.) | | | |

† Key to these columns: REG is any register, MEM is any memory location, ILEN_UP is a value (immediate, register contents, or memory location contents) such that bits [15:12] are 0x4, OLEN_UP is a value (immediate, register contents, or memory location contents) such that bits [15:12] are 0x5, and INSTR is any conditional instruction.

Hardware Architecture (continued)

Simple Serial I/O (SSIO) Unit

The SSIO provides a 26 Mbits/s serial interface to many codecs and signal processors with few, if any, additional components. The high-speed, double-buffered port supports back-to-back transmissions of data. The SSIO is configurable as active or passive and is a DMA peripheral that interfaces to IORAM1 through MIOU1.

There are four active clock speeds selectable by ACLK (bits 7 and 8) of the simple serial I/O control register (**SSIOC**). (See [Table 70 on page 110](#).)

A bit-reversal mode under control of **SSIOC** register bit 6 provides compatibility with either the most significant bit (MSB) first or least significant bit (LSB) first serial I/O formats.

The serial data can be internally looped back (DO looped back to DI) by setting the SSIO loopback control bit, SIOLB (bit 9) of the **ioc** register. SIOLB affects only the SSIO.

Setting data out delay (DODLY), bit 10, of **SSIOC** to 1 delays DO by one phase of OCK so that DO changes on the falling edge of OCK instead of the rising edge (DODLY = 0). This reduces the time available for DO to drive DI and to be valid for the rising edge of ICK, but increases the hold time on DO by half a cycle of OCK.

A falling edge on the SYNC input pin causes the resynchronization of the active input load (ILD) and output load (OLD) generators. This input has typically 0.7 V hysteresis. If SYNC is not used, it must be tied low.

Programmable Modes

SSIOC controls the programmable modes of operation for the SSIO. This register, shown in [Table 70 on page 110](#), is used to set the port into various configurations. Both input and output operations can be independently configured as either active or passive. When active, the DSP16210 generates load and clock signals. When passive, load and clock signal pins are inputs.

Since input and output can be independently configured, the SSIO has four different modes of operation.

The **SSIOC** register is also used to select the frequency of active clocks for the SSIO. Finally, **SSIOC** is used to configure the serial I/O data formats. The data can be 8 or 16 bits long, and can also be input/output MSB or LSB first. Input and output data formats can be independently configured.

The **SSIOC** register is programmed through MIOU1.

Parallel Host Interface (PHIF16)

The DSP16210 has a 16-bit parallel host bus interface for rapid transfer of data with external devices. PHIF16 is a DMA peripheral that interfaces to IORAM0 through MIOU0.

This parallel port is passive (data strobes provided by an external device) and supports either *Motorola* or *Intel* microcontroller protocols. The PHIF16 can be configured by software to operate with either an 8-bit or 16-bit external interface. (See the **PHIFC** register, [Table 63 on page 104](#).)

In 8-bit external configuration, PHIF16 provides for 8-bit or 16-bit logical data transfers. 8-bit data is right-justified. As a flexible host interface, it requires little or no glue logic to interface to other devices (e.g., microcontrollers, microprocessors, or another DSP).

The logical data path of the PHIF16 consists of a 16-bit input register, **PDX(in)**, and a 16-bit output register, **PDX(out)**. **PDX(in)** is loaded with host data from the 16-bit data bus PB[15:0]. **PDX(out)** is loaded by MIOU0 with output data from the IORAM0 location addressed by the MIOU output read pointer 0 (**morpo**) register.

Two output pins, parallel input buffer full (PIBF) and parallel output buffer empty (POBE), indicate the state of the **PDX** buffers. In addition, there are two registers used to control and monitor the PHIF's operation: the parallel host interface control register (**PHIFC**, see [Table 63 on page 104](#)), and the PHIF16 status register (**PSTAT**, see [Table 24 on page 51](#)). The **PSTAT** register, which reflects the state of the PIBF and POBE flags, can only be read by an external device when the PSTAT input pin is asserted. The **PHIFC** register defines the programmable options for this port and is programmed through MIOU0 using PCTL_LD, the peripheral control load command (see [Table 18 on page 44](#)).

Hardware Architecture (continued)

Parallel Host Interface (PHIF16) (continued)

The function of the pins PIDS and PODS is programmable to support both the *Intel* and *Motorola* protocols. The PCSN pin is an input that, when low, acts as a chip-select to enable PIDS and PODS (or PRWN and PDS, depending on the protocol used). If PCSN is low, the assertion of PIDS and PODS by an external device causes the PHIF16 to recognize a host request. If MIOU0 has been properly programmed, it responds to the host request by either filling **PDX**(out) or emptying **PDX**(in). While PCSN is high, the DSP16210 ignores any activity on PIDS and/or PODS. If a DSP16210 is intended to be continuously accessed through the PHIF16 port, PCSN should be grounded.

Programmability

The PHIF16 external interface is configured for 8-bit or 16-bit external operation using bit 7 of the **PHIFC** register (PCFIG).

In the 16-bit external configuration, every completion of an input (host) or output (MIOU0) transaction asserts the external PIBF or POBE conditions.

In the 8-bit external configuration, the PHIF16 interface is programmed for 8-bit or 16-bit logical data transfers using bit 0, PMODE, of the **PHIFC** register. Setting PMODE selects 16-bit logical transfer mode. An input pin controlled by the host, PBSEL, determines an access of either the high or low byte. The assertion level of the PBSEL input pin is configurable in software using bit 3 of the **PHIFC** register, PBSELF. [Table 22 on page 51](#) summarizes the port's output functionality as controlled by the PSTAT and PBSEL pins and the

PBSELF and PMODE fields. [Table 23 on page 51](#) summarizes the port's input functionality.

In the 8-bit external configuration and 16-bit logical mode, PHIF16 assertion of the PIBF and POBE flags is based on the status of the PBSELF bit in the **PHIFC** register.

- If PBSELF is zero, the PIBF and POBE flags are set after the high byte is transferred.
- If PBSELF is one, the flags are set after the low byte is transferred.

In the 8-bit external configuration and 8-bit logical mode, only the low byte is accessed, and every completion of an input or output access sets PIBF or POBE.

Bit 1 of the **PHIFC** register, PSTROBE, configures the port to operate either with an *Intel* protocol where only the chip select (PCSN) and either of the data strobes (PIDS or PODS) are needed to make an access, or with a *Motorola* protocol where the chip select (PCSN), a data strobe (PDS), and a read/write strobe (PRWN) are needed. PIDS and PODS are negative assertion data strobes while the assertion level of PDS is programmable through bit 2, PSTRB, of the **PHIFC** register.

Finally, the assertion level of the output pins, PIBF and POBE, is controlled through bit 4, PFLAG. When PFLAG is set low, PIBF and POBE output pins have positive assertion levels. By setting bit 5, PFLAGSEL, the logical OR of PIBF and POBE flags (positive assertion) is seen at the output pin PIBF. By setting bit 6 in **PHIFC**, PSOBEF, the polarity of the POBE flag in the status register, **PSTAT**, is changed. PSOBEF has no effect on the POBE pin.

PHIFC is programmed through MIOU0.

Hardware Architecture (continued)

Parallel Host Interface (PHIF16) (continued)

Table 22. PHIF16 Output Function

| PCFIG Field | PMODE Field | PSTAT Pin | PBSEL Pin XOR PBSELF Field | PB[15:8](out) | PB[7:0](out) |
|--------------------|-------------------|-----------|-------------------------------|----------------|----------------|
| 0: 8-bit external | 0: 8-bit logical | 0 | 0 | 3-state | PDX[7:0](out) |
| 0: 8-bit external | 0: 8-bit logical | 0 | 1 | Reserved | |
| 0: 8-bit external | 0: 8-bit logical | 1 | 0 | 3-state | PSTAT |
| 0: 8-bit external | 0: 8-bit logical | 1 | 1 | Reserved | |
| 0: 8-bit external | 1: 16-bit logical | 0 | 0 | 3-state | PDX[7:0](out) |
| 0: 8-bit external | 1: 16-bit logical | 0 | 1 | 3-state | PDX[15:8](out) |
| 0: 8-bit external | 1: 16-bit logical | 1 | 0 | 3-state | PSTAT |
| 0: 8-bit external | 1: 16-bit logical | 1 | 1 | 3-state | PSTAT |
| 1: 16-bit external | 0: Preserve H & L | 0 | X | PDX[15:8](out) | PDX[7:0](out) |
| 1: 16-bit external | 0: Preserve H & L | 1 | X | 0x00 | PSTAT |
| 1: 16-bit external | 1: Swap H & L | 0 | X | PDX[7:0](out) | PDX[15:8](out) |
| 1: 16-bit external | 1: Swap H & L | 1 | X | PSTAT | 0x00 |

Table 23. PHIF16 Input Function

| PCFIG Field | PMODE Field | PBSEL Pin XOR PBSELF Field | PDX[15:8](in) | PDX[7:0](in) |
|--------------------|-------------------|-------------------------------|---------------|--------------|
| 0: 8-bit external | 0: 8-bit logical | 0 | No change | PB[7:0](in) |
| 0: 8-bit external | 0: 8-bit logical | 1 | Reserved | |
| 0: 8-bit external | 1: 16-bit logical | 0 | No change | PB[7:0](in) |
| 0: 8-bit external | 1: 16-bit logical | 1 | PB[7:0](in) | No change |
| 1: 16-bit external | 0: Preserve H & L | X | PB[15:8](in) | PB[7:0](in) |
| 1: 16-bit external | 1: Swap H & L | X | PB[7:0](in) | PB[15:8](in) |

Table 24. PHIF16 Status (PSTAT) Register

| 7—2 | 1 | 0 |
|----------|------|------|
| Reserved | PIBF | POBE |

Hardware Architecture (continued)

Bit Input/Output Unit (BIO)

The BIO controls the directions of eight bidirectional control I/O pins, IOBIT[7:0]. If a pin is configured as an output, it can be individually set, cleared, or toggled. If a pin is configured as an input, it can be read and/or tested.

The lower half of the **sbit** register (see Table 69 on page 109) contains current values (VALUE[7:0]) of the eight bidirectional pins IOBIT[7:0]. The upper half of the **sbit** register (DIREC[7:0]) controls the direction of each of the pins. A logic 1 configures the corresponding pin as an output; a logic 0 configures it as an input. The upper half of the **sbit** register is cleared upon reset.

The **cbit** register (see Table 45 on page 94) contains two 8-bit fields, MODE/MASK[7:0] and DATA/PAT[7:0]. The meaning of a bit in either field depends on whether it has been configured as an input or an output in **sbit**. If a pin has been configured to be an output, the meanings are MODE and DATA. For an input, the meanings are MASK and PAT(tern). Table 25 shows the functionality of the MODE/MASK and DATA/PAT bits based on the direction selected for the associated IOBIT pin.

Those pins that have been configured as inputs can be individually tested for 1 or 0. For those inputs that are being tested, there are four flags produced: ALLT (all true), ALLF (all false), SOMET (some true), and SOMEF (some false). Table 26 summarizes these flags, which can be used for conditional instructions (see Table 37 on page 85). The state of these flags can be tested, saved, or restored by reading or writing bits 0 to 3 of the **alf** register (see Table 42 on page 91).

In input mode, the IOBIT[7:0] inputs are synchronized to the internal DSP clock (CLK) before the flags are generated or the input data is transferred to the core through the **sbit** register. In output mode, the flags are updated each time the **cbit** register is written.

Table 25. BIO Operations

| DIREC[n] [†] | MODE/MASK[n] [†] | DATA/PAT[n] [†] | Action |
|-----------------------|---------------------------|--------------------------|---------------|
| 1 (Output) | 0 | 0 | Clear |
| 1 (Output) | 0 | 1 | Set |
| 1 (Output) | 1 | 0 | No Change |
| 1 (Output) | 1 | 1 | Toggle |
| 0 (Input) | 0 | 0 | No Test |
| 0 (Input) | 0 | 1 | No Test |
| 0 (Input) | 1 | 0 | Test for Zero |
| 0 (Input) | 1 | 1 | Test for One |

[†] 0 ≤ n ≤ 7.

If a BIO pin is switched from being configured as an output to being configured as an input and then back to being configured as an output, the pin retains the previous output value. After writing **sbit** to change a pin from an output to an input, one instruction cycle of latency is required before the **sbit** VALUE field is updated. If a pin is configured as an output and **cbit** is written to change the output value, two cycles of latency are required before the **sbit** VALUE field is updated to reflect the change to **cbit**.

Table 26. BIO Flags

| Condition | | SOMEF (alf[3]) | SOMET (alf[2]) | ALLF (alf[1]) | ALLT (alf[0]) |
|--|---|-------------------|-------------------|------------------|------------------|
| All or some of the IOBIT[7:0] pins are configured as inputs [†] . | All tested inputs match the pattern [‡] . | 0 | 1 | 0 | 1 |
| | No tested inputs match the pattern [§] . | 1 | 0 | 1 | 0 |
| | Some (but not all) of the tested inputs match the pattern ^{††} . | 1 | 1 | 0 | 0 |
| | No inputs are tested ^{‡‡} . | 0 | 0 | 1 | 1 |
| All IOBIT[7:0] pins are configured as outputs ^{§§} . | | 0 | 0 | 1 | 1 |

[†] For at least one pin IOBIT[n], DIREC[n] = 0.

[‡] For every pin, IOBIT[n] with DIREC[n] = 0 and MASK[n] = 1, IOBIT[n] = PAT[n].

[§] For every pin, IOBIT[n] with DIREC[n] = 0 and MASK[n] = 1, IOBIT[n] ≠ PAT[n].

^{††} For at least one pin, IOBIT[n] with DIREC[n] = 0 and MASK[n] = 1, IOBIT[n] = PAT[n], and for at least one pin IOBIT[n] with DIREC[n] = 0 and MASK[n] = 1, IOBIT[n] ≠ PAT[n].

^{‡‡} For all pins, IOBIT[n] with DIREC[n] = 0, MASK[n] is 0.

^{§§} Bits DIREC[7:0] are all ones.

Hardware Architecture (continued)

Bit Input/Output Unit (BIO) (continued)

Two instruction cycles of latency are required following a BIO **cbit** register write operation before the new BIO flags are available:

```
cbit= 0x0302
2*nop /* nops or other instructions */
if allt goto OK/* New Flags are visible*/
```

Pin Multiplexing

Four of the eight BIO signals (IOBIT[7:4]) are multiplexed with the four vectored interrupt ID signals (VEC[3:0]) onto four package pins. Upon reset, VEC[3:0] are connected to the pins while IOBIT[7:4] are disconnected. Setting bit 8, EBIO, of the **ioc** register connects IOBIT[7:4] to the pins and disconnects VEC[3:0]. Note that VEC0 corresponds to IOBIT7, VEC1 corresponds to IOBIT6, VEC2 corresponds to IOBIT5, and VEC3 corresponds to IOBIT4.

Timers

The DSP16210 contains two identical independent timers, TIMER0 and TIMER1. $\text{TIMER}\langle 0,1 \rangle$ interrupts the core after a programmed delay or repetitively at a programmed interval.

Each timer contains a 16-bit control register (**timer** $\langle 0,1 \rangle$ **c**), down counter, period register, and a 4-bit prescaler. The 16-bit **timer** $\langle 0,1 \rangle$ running count register corresponds to the down counter and period register. If **timer** $\langle 0,1 \rangle$ is read, it returns the output of the down counter. If **timer** $\langle 0,1 \rangle$ is written, the write value is loaded into the down counter and the period register simultaneously. The prescaler divides the internal clock (CLK) by a programmed value in the range 2 to 65536. The down counter decrements every cycle of the prescaled clock. When it reaches zero, the timer asserts its interrupt ($\text{TIME}\langle 0,1 \rangle$). The interrupt delay is a function of the CLK frequency, the initial value programmed in **timer** $\langle 0,1 \rangle$, and the prescale value. For periodic timed interrupts, the timer can be programmed to repetitively reload the down counter with the contents of the period register.

See [Table 71](#) and [Table 72 on page 111](#) for descriptions of **timer** $\langle 0,1 \rangle$ and **timer** $\langle 0,1 \rangle$ **c**.

By default after reset, the timers are powered up and the down counter holds its current count. To save power if the timer is not in use, set the PWR_DWN bit

of **timer** $\langle 0,1 \rangle$ **c**. Setting **powerc**[TIMER $\langle 0,1 \rangle$] (see [Table 65 on page 106](#)) has the same effect as setting that timer's PWR_DWN bit.

Assuming the timer is powered up, setting the COUNT bit of **timer** $\langle 0,1 \rangle$ **c** enables the clock to the down counter. Clearing COUNT causes the counter to hold its current value.

The PRESCALE[3:0] field of **timer** $\langle 0,1 \rangle$ **c** selects one of 16 possible clock rates for the input clock to the down counter (see [Table 72 on page 111](#)). The clock rate is the frequency of CLK divided by 2^{N+1} , where N is PRESCALE[3:0] and ranges from 0 to 15.

To operate the timer, the software writes a value to **timer** $\langle 0,1 \rangle$ and sets the COUNT bit of **timer** $\langle 0,1 \rangle$ **c** (the remaining fields of **timer** $\langle 0,1 \rangle$ **c** must also be programmed appropriately). This causes the down counter to start decrementing. When the counter reaches zero, a vectored interrupt to program address **vbase** + *offset*¹ is issued, providing the appropriate timer interrupt is enabled² and no higher priority interrupt is pending or being serviced. If the RELOAD bit of **timer** $\langle 0,1 \rangle$ **c** is 0, the timer stops decrementing the counter when it reaches zero. Software can restart the timer by writing a nonzero value to **timer** $\langle 0,1 \rangle$. If RELOAD is 1, the timer reloads the counter from the period register and the counter resumes decrementing, resulting in repetitive periodic interrupts.

Software can start and stop the timer at any time³ by setting and clearing the COUNT bit. Software can read and write **timer** $\langle 0,1 \rangle$ at any time³. Due to pipeline stages, stopping and starting the timers can result in an error at one count or prescaled period.

When the DSP16210 is reset, the **timer** $\langle 0,1 \rangle$ **c** and **timer** $\langle 0,1 \rangle$ registers and counters are cleared. This powers up the timer, sets the prescale value to CLK/2, disables the clock to the down counter, and turns off the reload feature. The act of resetting the chip does not cause a timer interrupt.

Note: The timer must be powered up (PWR_DWN = 0 and **powerc**[1,0] = 0) in order to read or write the **timer** $\langle 0,1 \rangle$ register. If **timer** $\langle 0,1 \rangle$ is read after device reset without first being written, a value of all zeros is returned. However, the initial count value and period are not cleared on reset—to clear them, the software must write **timer** $\langle 0,1 \rangle$ with all zeros.

- ¹ *offset* is 0x34 for TIMER0 and 0x38 for TIMER1.
- ² The programmer enables the TIMER0 interrupt by setting **inc0** bits 18 and 19 to a priority. The programmer enables the TIMER1 interrupt by setting **inc1** bits 0 and 1 to a priority. See [Table 52 on page 97](#) for details.
- ³ The timer must be powered up.

Hardware Architecture (continued)

Hardware Development System (HDS)

The HDS is an on-chip hardware module available for debugging assembly-language programs that execute on the DSP16000 core at the core's rated speed. The main capability of the HDS is in allowing controlled visibility into the core's state during program execution.

The fundamental steps in a debugging process, involving the HDS, include the following:

1. Setup: Download program code and data into the correct memory regions and set breakpointing conditions.
2. Run: Start execution or single step from a desired starting point (i.e., allow device to run under simulated or real-time conditions).
3. Break: Break program execution on satisfying breakpointing conditions; upload and allow user accessibility to internal state of the device and its pins.
4. Resume: Resume execution (normally or single step) after hitting a breakpoint and finally upload internal state at the end of execution.

The powerful debugging capability of the HDS is made possible by breaking program execution on complex breakpointing conditions. A complex breakpointing condition, for example, may be an instruction that executes from a particular instruction-address location (or from a particular instruction-address range such as a subroutine) and accesses a coefficient/data element that matches a particular pattern from a memory location (or from a memory region such as inside an array or outside an array). The complex conditions can also be chained to form more complex breakpointing conditions. For example, a complex breakpointing condition can be defined as the back-to-back execution of two different subroutines.

The HDS also provides a debugging feature that allows a finite number of initial complex breakpointing conditions to optionally be ignored. The number of condi-

tions ignored is programmable by the user.

An intelligent trace mechanism for recording discontinuity points during program execution is also available in the HDS. This mechanism allows unambiguous reconstruction of program flow involving discontinuity points such as gotos, calls, returns, and interrupts. The trace mechanism compresses single-level loops and records them as a single discontinuity. This feature prevents single-level loops from filling up the trace buffers. Also, cache loops do not get registered as discontinuities in the trace buffers. Therefore, two-level loops with inner cache loops are registered as a single discontinuity.

The HDS supports single stepping through instructions without requiring the use of a watchpoint register.

A 32-bit cycle counter is provided for accurate code profiling during program development. This cycle counter can optionally be used to break program execution after a user-specified number of clock cycles.

JTAG Test Port

JTAG is an on-chip hardware module that controls the HDS. All communication between the HDS software, running on the host computer, and the on-chip HDS is in a bit-serial manner through the TAP (test access port) of the device. The TAP pins, which are the means of communicating test information into and out of the device, consist of TDI (test data input), TDO (test data output), TMS (test mode select), TCK (test clock), and TRST (TAP controller reset). The registers in the HDS are connected in different scan paths between the TDI (input port) and TDO (output port) pins of the TAP. JTAG instructions have been reserved to allow read and write operations to be performed between JTAG and the register chains of the HDS.

The set of test registers include the JTAG identification register (ID), the boundary-scan register, and the scanable peripheral registers. All of the device's inputs and outputs are incorporated in a JTAG scan path as shown in [Table 27 on page 55](#).

Hardware Architecture (continued)

JTAG Test Port (continued)

Table 27. JTAG Boundary-Scan Register

Note: The direction of shifting is from TDI to cell 121 to cell 120 . . . to cell 0 to TDO.

| Cell | Type† | Signal Name/ Function | Control Cell | Cell | Type† | Signal Name/ Function | Control Cell | Cell | Type† | Signal Name/ Function | Control Cell |
|-------|-------|--|-----------------|-------|-------|----------------------------------|-----------------|---------|-------|----------------------------------|-----------------|
| 0 | I | CKI‡ | — | 54 | I | Reserved | — | 94 | I | DOEN | — |
| 8—1 | O | AB[7:0] | 9 | 55 | I | EOEB | — | 95 | DC | IOBIT0 direction control | — |
| 9 | OE | AB[15:0], IACK, PIBF, POBE, EOBE, EIBF, OBE, and IBF 3-state control | — | 56 | I | PIDS | — | 96 | I/O | IOBIT0 | 95 |
| 17—10 | O | AB[15:8] | 9 | 57 | I | PCSN | — | 97 | DC | IOBIT1 direction control | — |
| 18 | I | EXM | — | 58 | I | PSTAT | — | 98 | I/O | IOBIT1 | 98 |
| 19 | OE | RWN, EROM, ERAMLO, ERAMHI, ERAM, IO, and CKO 3-state control | — | 59 | I | PBSEL | — | 99 | DC | IOBIT2 direction control | — |
| 20 | O | RWN | 19 | 60 | I | PODS | — | 100 | I/O | IOBIT2 | 99 |
| 21 | O | EROM | 19 | 61 | O | PIBF | 9 | 101 | DC | IOBIT3 direction control | — |
| 22 | O | ERAMLO | 19 | 62 | O | POBE | 9 | 102 | I/O | IOBIT3 | 101 |
| 23 | O | ERAMHI | 19 | 63 | DC | PB[7:0] direction control | — | 103 | DC | VEC3/IOBIT4 direction control | — |
| 24 | O | ERAM | 19 | 71—64 | I/O | PB[7:0] | 63 | 104 | I/O | VEC3/IOBIT4 | 103 |
| 25 | O | IO | 19 | 72 | DC | PB[15:8] direction control | — | 105 | DC | VEC2/IOBIT5 direction control | — |
| 33—26 | I/O | DB[7:0] | 34 | 80—73 | I/O | PB[15:8] | 72 | 106 | I/O | VEC2/IOBIT5 | 105 |
| 34 | DC | DB[15:0] direction control | — | 81 | O | OBE | 9 | 107 | DC | VEC1/IOBIT6 direction control | — |
| 42—35 | I/O | DB[15:8] | 34 | 82 | O | IBF | 9 | 108 | I/O | VEC1/IOBIT6 | 107 |
| 43 | O | EOBE | 9 | 83 | I | DI | — | 109 | DC | VEC0/IOBIT7 direction control | — |
| 44 | O | EIBF | 9 | 84 | DC | ILD direction control | — | 110 | I/O | VEC0/IOBIT7 | 109 |
| 45 | I | EDI | — | 85 | I/O | ILD | 84 | 111 | I | READY | — |
| 46 | I | EIFS | — | 86 | DC | ICK direction control | — | 112 | I | STOP | — |
| 47 | I | EIBC | — | 87 | I/O | ICK | 86 | 113 | I | RSTB | — |
| 48 | I | EOBC | — | 88 | DC | OCK direction control | — | 114 | O | CKO | 19 |
| 49 | I | EOFS | — | 89 | I/O | OCK | 88 | 115 | DC | TRAP direction control | — |
| 50 | I | Reserved | 52 | 90 | DC | OLD direction control | — | 116 | I/O | TRAP | 115 |
| 51 | OE | EDO 3-state control | — | 91 | I/O | OLD | 90 | 117 | O | IACK | 9 |
| 52 | O | EDO | — | 92 | OE | DO 3-state control | — | 121—118 | I | INT[3:0] | — |
| 53 | I | SYNC | — | 93 | O | DO | 92 | | | | |

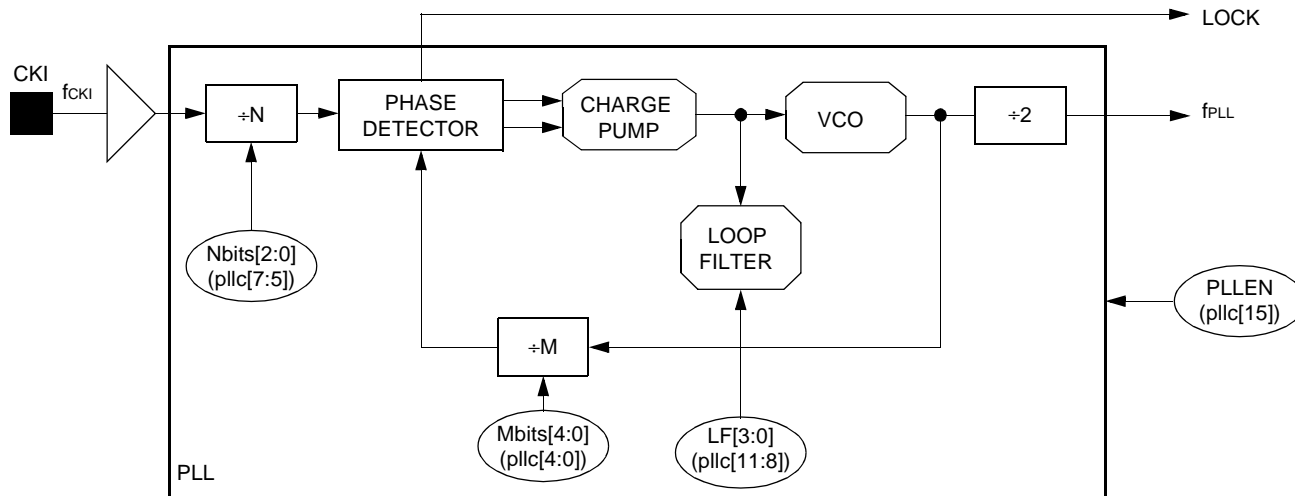
† Key to this column: I = input; OE = 3-state control cell; O = output; DC = bidirectional control cell; I/O = input/output.

‡ When read with the JTAG SAMPLE instruction, CKI returns a logic one regardless of the state of the pin.

Hardware Architecture (continued)

Clock Synthesis

The DSP16210 provides an on-chip programmable clock synthesizer that can be driven by an external clock at a fraction of the desired instruction rate. Figure 18 is the synthesizer block diagram, which is based on a phase-lock loop (PLL). The terms clock synthesizer and PLL are used interchangeably.



Notes:
If PLLEN is set, the PLL is enabled (powered up). If PLLEN is cleared, the PLL is disabled (powered down).
The PLL sets the LOCK flag when its output is stable. The LOCK flag is an input to CORE0 and to CORE1.

Figure 18. Clock Synthesizer (PLL) Block Diagram

Figure 19 on page 57 illustrates the internal clock selection and disable logic. The clock selection logic selects the internal clock (CLK) from one of the following three clock sources:

- CKI: This pin is driven by an external oscillator or the pin's associated boundary-scan logic under JTAG control. If CKI is selected as the clock source, then CLK has the frequency and duty cycle of CKI.
- PLL: The PLL generates a clock source with a programmable frequency (an M/2N multiple of the CKI clock). The PLL's output is f_{PLL}. If the PLL is selected as the clock source, then CLK has the frequency and duty cycle of the PLL output f_{PLL}.
- Ring Oscillator: The internal ring oscillator produces a slow clock that requires no external stimulus. When the slow clock is selected as the clock source, then CLK has the frequency and duty cycle of the ring oscillator output. The core consumes less power when clocked with the slow

clock. See Table 91 on page 141 for timing characteristics of the ring oscillator.

After device reset, CKI is selected as the default clock source for the DSP16210. Setting the appropriate bits in the **ppll** and **powerc** control registers (Table 64 on page 105 and Table 65 on page 106) enables either the PLL or the ring oscillator to become the clock source. Table 28 defines the selection of the three clock sources as a function of the PLLSEL field (bit 14 of **ppll**) and the SLOWCLK field (bit 10 of **powerc**).

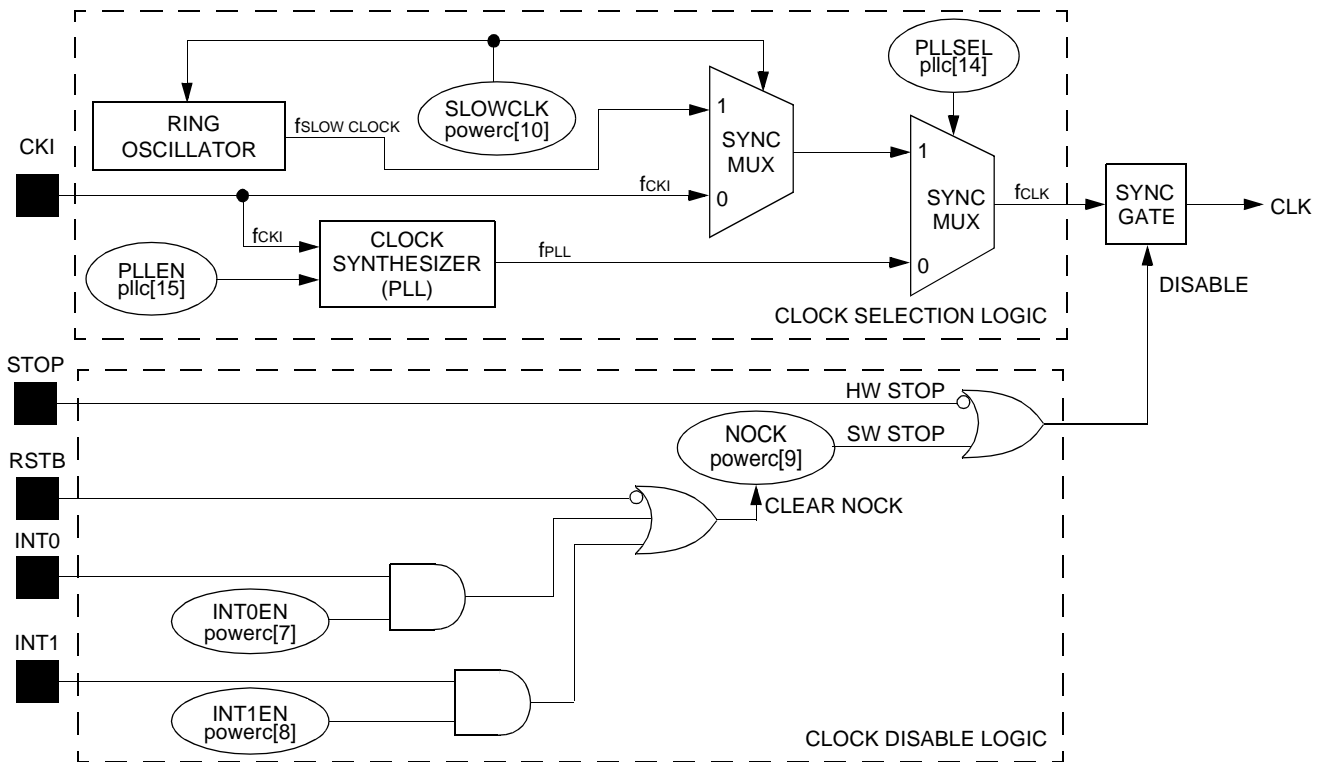
Table 28. Clock Source Selection

| PLLSEL (ppll[14]) | SLOWCLK (powerc[10]) | f _{CLK} | Description |
|-------------------|----------------------|-------------------------|-----------------|
| 0 | 0 | f _{CKI} | CKI pin |
| 0 | 1 | f _{SLOW CLOCK} | Ring Oscillator |
| 1 | X | f _{PLL} | PLL |

The clock disable logic provides several methods for shutting off the internal clock to save power. See Power Management beginning on page 61 for details.

Hardware Architecture (continued)

Clock Synthesis (continued)



Note: The switching of the multiplexers and the synchronous gate is designed so that no partial clocks or glitching occurs.

Figure 19. Internal Clock Selection and Disable Logic

Hardware Architecture (continued)

Clock Synthesis (continued)

The clock switch module (the SYNC MUX blocks shown in [Figure 19 on page 57](#)) selects the clock source synchronously for glitch-free operation. Potential clock sources are first synchronized to the current CLK before being prioritized and acted upon by the clock switch module.

Phase-Lock Loop (PLL) Operation

Because **pll** is cleared on reset, the PLL is initially deselected and powered down. For the PLL to operate, the following is required:

1. A clock must be applied to the CKI input pin, the input to the PLL.
2. The program must enable (power up) the PLL by setting the PLEN bit (**pll** bit 15). (Clearing PLEN disables (powers down) the PLL.) The program must not select the PLL, i.e., must not set the PLLSEL bit (**pll** bit 14), until the LOCK flag is set as described later in this section. The programming of the remaining bits of **pll** and the frequency of CKI determine the frequency of the PLL output.

Phase-Lock Loop (PLL) Operating Frequency

The frequency of the PLL output clock (f_{PLL}) is determined by the values loaded into the 3-bit N divider and the 5-bit M divider as follows:

$$f_{PLL} = f_{CKI} \times M/2N$$

where $2 \leq M \leq 24$ and $1 \leq N \leq 8$. The maximum allowable M/N ratio is 12. If the PLL is selected as the clock source, the frequency of the internal clock (CLK) is:

$$f_{CLK} = f_{PLL} = f_{CKI} \times M/2N$$

The following requirements apply to the f_{PLL} :

- $f_{PLL} \geq f_{CKI}$.
- f_{PLL} must fall within the range defined in [Table 87 on page 139](#). (f_{CLK} must not exceed the maximum instruction rate defined in [Table 83 on page 133](#)).

After choosing f_{PLL} and f_{CKI} , choose the lowest value for N and the appropriate value of M to obtain the desired frequency. Program M and N into the Mbits[4:0] and Nbits[2:0] fields (**pll**[4:0] and **pll**[7:5]) as follows:

$$\text{Mbits}[4:0] = M - 2$$

if (N==1)

$$\text{Nbits}[2:0] = 0x7$$

else

$$\text{Nbits}[2:0] = N - 2$$

The results of these formulas are summarized in [Table 29](#):

Table 29. pll Field Values Nbits[2:0] and Mbits[2:0]

| N | Nbits[2:0] | M | Mbits[4:0] |
|---|------------|----|------------|
| 1 | 7 | 2 | 00000 |
| 2 | 0 | 3 | 00001 |
| 3 | 1 | 4 | 00010 |
| 4 | 2 | 5 | 00011 |
| 5 | 3 | 6 | 00100 |
| 6 | 4 | • | • |
| 7 | 5 | • | • |
| 8 | 6 | • | • |
| | | 24 | 22 |
| | | | 10110 |

Program the loop filter field LF[3:0] (**pll**[11:8]) according to [Table 88 on page 139](#).

Phase-Lock Loop (PLL) Locking

Before selecting the PLL as the clock source, the program must ensure that the PLL has stabilized and locked to the programmed frequency. The DSP16210 indicates that the PLL has locked by setting the LOCK flag (see [Table 37 on page 85](#) and **alf** register bit 6 in [Table 42 on page 91](#)). Once the program has checked that the LOCK flag is set, it can then safely set PLLSEL (**pll** bit 14) to switch sources from f_{CKI} to f_{PLL} without glitching. If LOCK is cleared, the PLL output is unstable. Every time the program writes **pll**, the LOCK flag is cleared. The LOCK flag status is tested by conditional instructions that have the qualifier **if lock**, e.g., **if lock goto pll_select**. The typical lock-in time is specified in [Table 88 on page 139](#).

Before removing the clock from the clock input pin (CKI), the program must first deselect and power down the PLL (PLLSEL = 0 and PLEN = 0). Otherwise, the LOCK flag is not cleared, and when the input clock is reapplied it cannot be determined when the PLL has stabilized.

Hardware Architecture (continued)

Clock Synthesis (continued)

Phase-Lock Loop (PLL) Programming Restrictions

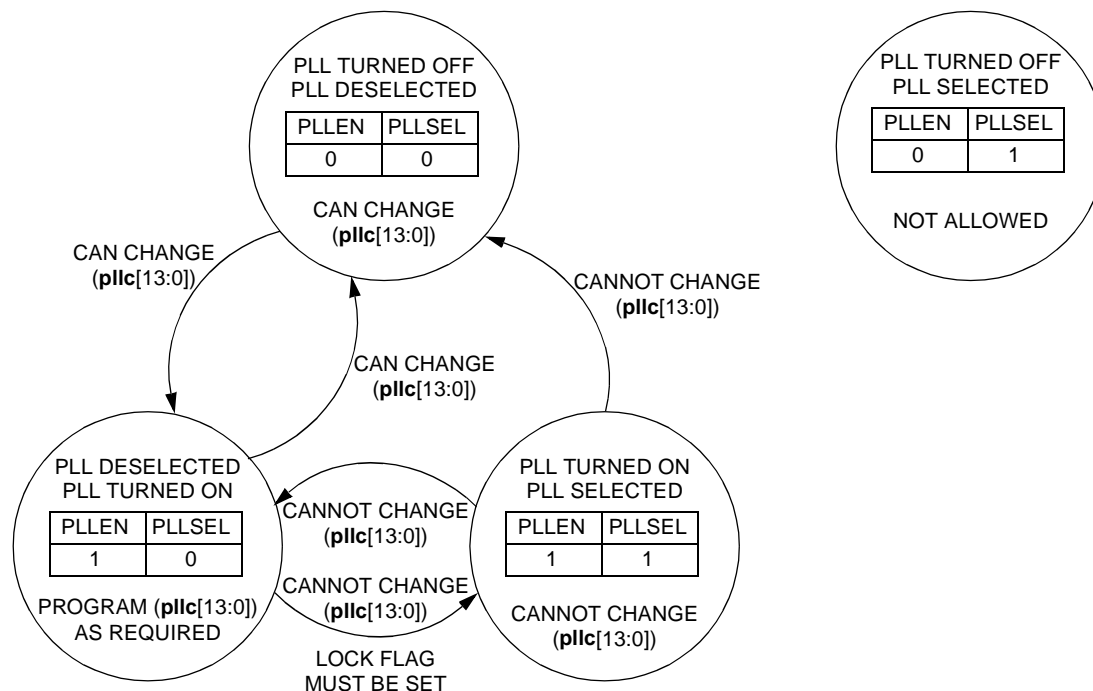


Figure 20. Allowable States and State Changes of `pllcr` Register Fields

There are restrictions on the allowable states of the `PLEN` and `PLLSEL` fields (`pllcr[15:14]`), and on the allowable changes to these fields and the remaining fields of `pllcr`. Figure 20 illustrates these restrictions, summarized below:

- Do not select the PLL if it is not enabled (`PLEN` = 0 and `PLLSEL` = 1 is not allowed).
- Do not enable and select the PLL in one step (do not change both `PLEN` from 0 to 1 and `PLLSEL` from 0 to 1 within a single instruction write to `pllcr`). Instead, perform the following steps:
 1. Enable the PLL without selecting it, i.e., write `pllcr` such that `PLEN` = 1, `PLLSEL` = 0, and `pllcr[13:0]` (`Mbits[4:0]`, `Nbits[2:0]`, etc.) are programmed appropriately.
 2. Wait until the LOCK flag is set.
 3. Select the PLL as the clock source, i.e., write `pllcr` such that `PLEN` = 1, `PLLSEL` = 1, and `pllcr[13:0]` are programmed to the same values as in step 1.
- Do not change `pllcr[13:0]` (`Mbits[4:0]`, `Nbits[2:0]`, etc.) while the PLL is selected (`PLLSEL` = 1) or while deselecting the PLL (writing `pllcr` such that `PLLSEL`

changes from 1 to 0). To change `pllcr[13:0]` if the PLL is selected:

1. Deselect the PLL, keep it enabled, and don't change `pllcr[13:0]`, i.e., write `pllcr` such that `PLEN` = 1, `PLLSEL` = 0, and `pllcr[13:0]` are at their old values.
 2. Program `pllcr[13:0]` to the new values.
 3. Wait until the LOCK flag is set.
 4. Select the PLL as the clock source, i.e., write `pllcr` such that `PLEN` = 1, `PLLSEL` = 1, and `pllcr[13:0]` are programmed to the same values as in step 2.
- The PLL can be deselected and powered down in the same instruction, i.e., both `PLEN` and `PLLSEL` can be cleared in a single write to `pllcr`, but `pllcr[13:0]` cannot be changed in that same instruction (must be written with their old values).
 - As long as `pllcr[13:0]` remains unchanged and the PLL remains enabled (`PLEN` = 1), the programmer can deselect the PLL and reselect the PLL (change `PLLSEL` from 1 to 0 and back again) without checking the LOCK flag status.

Hardware Architecture (continued)

Clock Synthesis (continued)

Phase-Lock Loop (PLL) Programming Example

The example in this section assumes the CKI input clock frequency is 10 MHz and the desired internal clock frequency is 100 MHz. [Table 30](#) illustrates the calculation of the M and N values and the corresponding Mbits[4:0] and Nbits[2:0] values to be programmed into **pllcr** (see [Table 64 on page 105](#)).

Table 30. Example Calculation of M and N

| | | | |
|----------------------------|------------------|---------|--------------------------------|
| CKI Input Frequency | f _{CKI} | 10 MHz | |
| CLK Frequency | f _{CLK} | 100 MHz | |
| PLL Frequency | f _{PLL} | 100 MHz | |
| PLL Ratio | M/2N | 10 | |
| | M/N | 20 | |
| | M | 20 | Mbits[4:0] = M - 2 = 18 = 0x12 |
| | N | 1 | Nbits[2:0] = 7 = 0x7 |

The following code segment illustrates the programming, enabling, and selecting of the PLL according to the values in [Table 30](#), assuming the PLL is initially disabled and deselected:

```

di                /* Disable interrupts for PLL lock (recommended) */
pllcr = 0xa9f2    /* Enable PLL, keep it deselected, program M, N, LF */
wait:             if lock goto locked /* Wait until LOCK flag is set */
                  goto wait          /* While waiting, CLK = CKI = 10 MHz */
locked:          pllcr = 0xe9f2      /* Select PLL clock - no other change to pllcr */
ei                /* Re-enable interrupts */
goto start       /* User's code, now running at 100 MHz */
    
```

Examples of programming the PLL and using the various power management modes are included in [Power Management beginning on page 61](#).

Phase-Lock Loop (PLL) Frequency Accuracy and Jitter

Although the average frequency of the PLL output has almost the same relative accuracy as the input clock, noise sources within the DSP produce jitter on the PLL clock. The PLL is guaranteed to have sufficiently low jitter to operate the DSP. However, if the PLL clock is driven off the device onto the CKO pin, do not apply this clock to jitter-sensitive devices. See [Table 87 on page 139](#) for the input jitter requirements for the PLL.

Phase-Lock Loop (PLL) Power Connections

The PLL has its own power and ground pins, V_{DDA} and V_{SSA}. Because the PLL contains analog circuitry, V_{DDA} and V_{SSA} are sensitive to supply noise. To filter supply noise, connect a dedicated decoupling capacitor from V_{DDA} to V_{SSA}. Depending on the characteristics of the supply noise in the particular application, a series ferrite bead or resistor might also be needed. V_{SSA} can be connected directly to the main ground plane. This recommendation is subject to change and can be modified for specific applications depending on the characteristics of the supply noise.

Hardware Architecture (continued)

Power Management

There are three different control mechanisms for putting the DSP16210 into low-power modes: the **powerc** control register, the STOP pin, and the AWAIT bit in the **alf** register (standby mode).

Note: If the PLL is enabled (**pll**[15] = 1), it remains running and consumes power even if the DSP16210 is in a low-power mode. For maximum power savings, disable the PLL before entering a low-power mode.

The powerc Control Register Bits

The **powerc** register has 11 bits (5 bits are reserved) that power down various portions of the chip and select the source of the internal clock (CLK):

SLOWCLK: If the program sets the SLOWCLK bit and clears the PLLSEL bit (**pll**[14]), an internal ring oscillator is selected as the source for CLK instead of the CKI pin or the PLL. If the SLOWCLK bit is cleared, the ring oscillator is powered down. Switching of the clocks is synchronized so that no partial or short clock pulses occur. Two **nop** instructions should follow any instruction that changes the state of SLOWCLK.

NOCK: If the program sets the NOCK bit, the DSP16210 synchronously turns off CLK (regardless of whether its source is provided by the CKI pin, the PLL, or the internal ring oscillator) and stops program execution. Two **nop** instructions should follow any instruction that sets NOCK. The NOCK bit can be cleared by asserting the INT0 or INT1 pin (if the INT0EN or INT1EN bit is set). Clearing the NOCK bit in this manner allows the stopped program to resume execution from where it left off without any loss of state. If INT0EN or INT1EN is set, it is recommended that the programmer disable the corresponding interrupt in the **inc0** register before setting NOCK to avoid an unintentional interrupt due to the subsequent assertion of the INT0 or INT1 pin. After the stopped program resumes, it should clear the corresponding INT0/INT1 interrupt by writing to the **ins** register (see [Clearing Interrupts on page 23](#)). Resetting the DSP16210 by asserting the RSTB pin also clears the NOCK bit, but the stopped program cannot resume execution.

INT0EN: This bit allows the INT0 pin to asynchronously clear the NOCK bit as described above.

INT1EN: This bit allows the INT1 pin to asynchronously clear the NOCK bit as described above.

The following control bits, if set, individually power down the peripheral units, further reducing the power consumption during low-power standby mode.

[Figure 21 on page 62](#) illustrates the effect of these bits.

ESIO: This is a powerdown signal to the ESIO unit. It disables the clock input to the unit, thus eliminating any standby power associated with the ESIO. Since the gating of the clocks can result in incomplete transactions, this option can only be used in applications where the ESIO is not used or when reset is used to re-enable the ESIO unit. Otherwise, the first transaction after re-enabling the unit could be corrupted.

SSIO: This bit powers down the SSIO in the same way ESIO powers down the ESIO unit.

MIOU1: This is a powerdown signal to the MIOU1. It disables the clock input to the unit, thus eliminating any standby power associated with the MIOU1. Since the gating of the clocks can result in incomplete transactions, this option can only be used in applications where the MIOU1 is not used, or when reset is used to re-enable the MIOU1 unit. Since MIOU1 and SSIO operate independently of each other, the MIOU1 can be powered down while SSIO remains active. Before powering down MIOU1, the program should poll the MBUSY1 flag (see [Table 37 on page 85](#)) to ensure that all output activity is complete.

PHIF16: This is a powerdown signal to the PHIF16 unit. It disables the clock input to the unit, thus eliminating any standby power associated with the PHIF16. Since the gating of the clocks can result in incomplete transactions, this option can only be used in applications where the PHIF16 is not used, or when reset is used to re-enable the PHIF16 unit.

MIOU0: This is a powerdown signal to the MIOU0. It disables the clock input to the unit, thus eliminating any standby power associated with the MIOU0. Since the gating of the clocks can result in incomplete transactions, this option can only be used in applications where the MIOU0 is not used, or when reset is used to re-enable the MIOU0 unit. Since MIOU0 and PHIF16 operate independently of each other, the MIOU0 can be powered down while PHIF16 remains active. Before powering down MIOU0, the program should poll the MBUSY0 flag (see [Table 37 on page 85](#)) to ensure that all output activity is complete.

TIMER0: This is a TIMER0 disable signal that disables the clock input to the TIMER0 unit. Its function is identical to the DISABLE0 field of the **timer0c** control register. Writing a 0 to TIMER0 in the **powerc** register field will continue TIMER0 operation.

TIMER1: This bit disables the clock input to the TIMER1 unit the same way TIMER0 disables the TIMER0 unit.

Hardware Architecture (continued)

Power Management (continued)

Figure 21 illustrates the clocks to the core, the peripherals, and the CKO pin. See also Figure 19 on page 57.

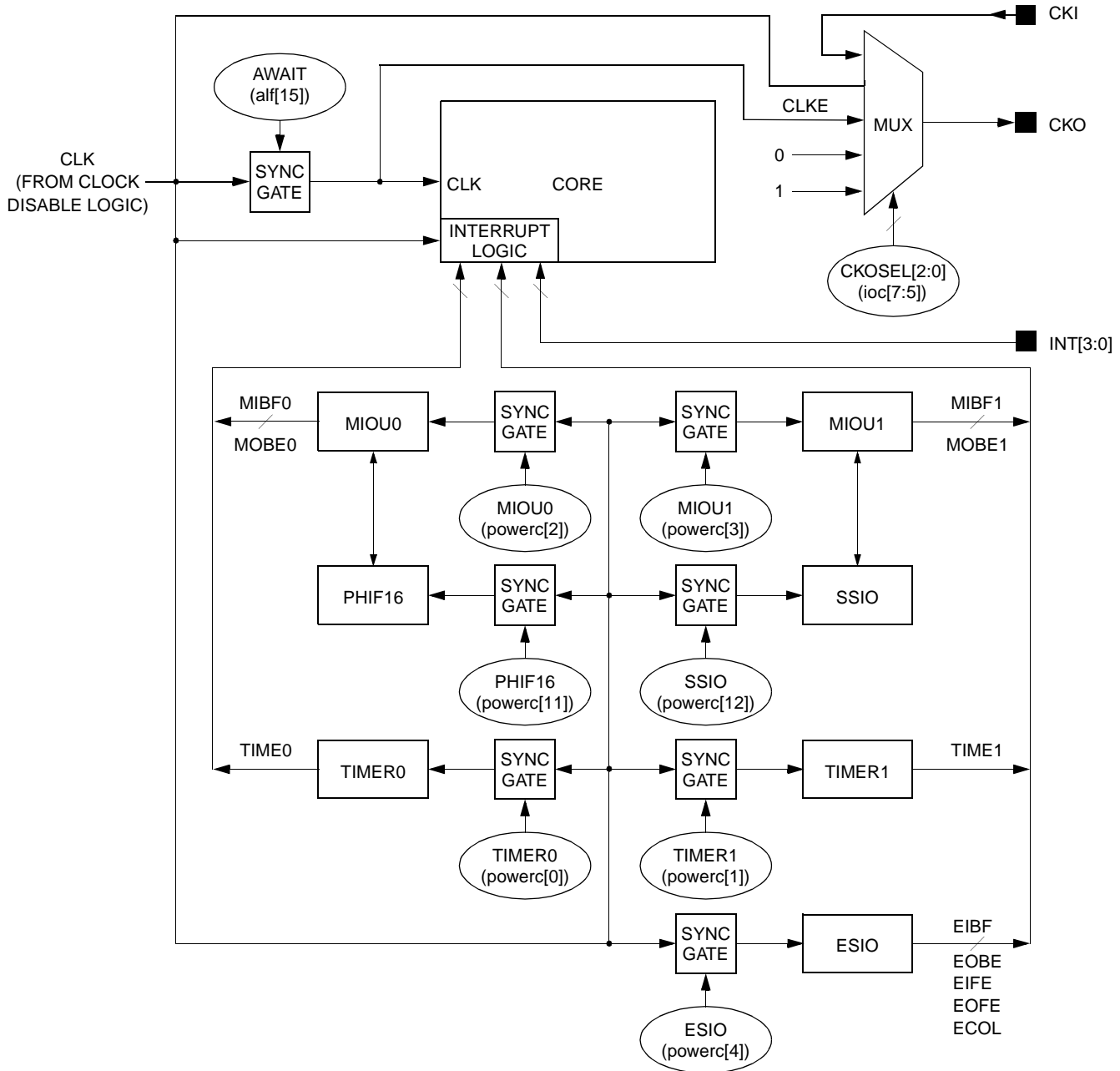


Figure 21. Power Management and Clock Distribution

Hardware Architecture (continued)**Power Management** (continued)**STOP Pin**

Assertion (active-low) of the STOP pin has the same effect as setting the NOCK bit in the **powerc** register. The internal clock (CLK) is synchronously disabled until STOP is returned high. Once STOP is returned high, program execution continues from where it left off without any loss of state. No device reset is required. [Figure 19 on page 57](#) illustrates the effect of STOP on the internal clock.

PLL Powerdown

Clearing PLEN (bit 15 of the **pll** register) powers down the PLL. Do not clear PLEN if the PLL is selected as the clock source, i.e., if PLLSEL (bit 14 of

pll) is set. See [Clock Synthesis beginning on page 56](#) for details.

AWAIT Bit of the alf Register

Setting the AWAIT bit of the **alf** register causes the core to go into the low-power standby mode. In this mode the peripherals remain active, the PLL remains active if enabled, and the minimum core circuitry required to process an incoming interrupt remains active. Any interrupt returns the core to its previous state, and program execution continues. As long as the core is receiving a clock, whether slow or fast, it can be put into standby mode with the AWAIT bit. Once the AWAIT bit is set, the STOP pin can be used to stop and later restart the internal clock, returning to the standby state. If the internal clock is not running, however, the AWAIT bit cannot be set.

Power Management Examples

The following examples illustrate the more significant options, not an exhaustive list of options, for reducing power dissipation. The many options for reducing power include a combination of the following:

- The choice of clock source to the processor.
- Whether the user chooses to power down the peripheral units.
- Whether the internal clock is disabled through hardware or software.
- The combination of power management modes chosen.
- Whether or not the PLL or ring oscillator is enabled.

Low-Power Standby Mode with CKI Clock Input. It is assumed that the PLL is disabled (PLEN = 0) and the processor is clocked with a high-speed clock on the CKI pin. Prior to entering low-power standby mode¹ by setting the AWAIT bit (**alf**[15]), the program reduces power by turning off all the peripherals and holding the CKO pin low.

```

        powerc=0x181f          /* Prepare for standby mode -- turn off peripherals.*/
            2*nop              /* Wait for it to take effect.                      */
        ioc=0x0040             /* Hold CKO low.                                       */
_Standby:  alf=0x8000         /* Set AWAIT bit, stop internal processor clock,... */
        nop                  /* interrupt circuits active.                          */
        nop                  /* Needed for bedtime execution. Only standby power */
        nop                  /* consumed here until interrupt wakes up the device*/
cont:      ...               /* User code executes here                             */
        powerc=0x0000        /* Turn peripheral units back on                       */
            2*nop              /* Wait for it to take effect.                      */
        ioc=0x0000          /* CKO is free-running CLK.                            */

```

1. The program exits low-power standby mode when any enabled interrupt occurs. Therefore, it is assumed that interrupts are globally enabled and at least one interrupt is individually enabled.

Hardware Architecture (continued)

Power Management (continued)

Low-Power Standby Mode with Slow Internal Clock. It is assumed that the PLL is disabled (Pllen = 0) and the processor is clocked with a high-speed clock on the CKI pin. Prior to entering low-power standby mode by setting the AWAITS bit (alf[15]), the program reduces power by turning off all the peripherals, holding the CKO pin low, and selecting the internal ring oscillator as the clock source.

Note: The ring oscillator continues to run during standby mode so there is no wake-up latency.

```

        powerc=0x1c1f      /* Prepare for standby mode--turn off peripherals, */
        2*nop              /* select slow clock, wait for it to take effect. */
        ioc=0x0040        /* Hold CKO low. */
_standby:  alf=0x8000      /* Set AWAITS bit (stop core clock; interrupt logic */
        nop              /* active.) nops needed for bedtime execution. */
        nop              /* Reduced standby power consumed here. */
        nop              /* Interrupt wakes up the core. */
_cont:    ...            /* User code executes here. */
        powerc=0x0000    /* Select high-speed clock and turn on peripherals. */
        2*nop            /* Wait for it to take effect. */
        ioc = 0x0000     /* CKO is free-running. */
    
```

Software Stop with CKI Clock Input. It is assumed that the PLL is disabled (Pllen = 0) and the processor is clocked with a high-speed clock on the CKI pin. Prior to performing a software stop by setting the NOCK bit (powerc[9]), the program reduces power by turning off all the peripherals and holding the CKO pin low. Setting the NOCK bit shuts off the internal clock and stops program execution until an interrupt on the INT0 pin restarts the internal clock. (Alternatively, INT1 or RSTB can be used to restart the clock.)

```

        powerc=0x189f     /* Prepare for software stop--set INT0EN, turn off */
        2*nop            /* peripherals, and wait for it to take effect. */
        di
        inc0=NO_INT0     /* Disable the INT0 interrupt (Clear inc0[11:10]). */
        ei
        ioc = 0x0040     /* Hold CKO low. */
_nock:    powerc=0x1a9f  /* Set NOCK to stop internal clock. */
        /* Minimum switching power consumed here. */
        3*nop           /* Some nops are needed. */
        /* INT0 pin clears the NOCK bit; clocking resumes. */
_cont:    ...            /* User code executes here. */
        powerc=0x0000    /* Clear INT0EN bit and turn on peripherals. */
        2*nop            /* Wait for it to take effect. */
        ins 0x0020       /* Clear the INT0 status bit. */
        di
        inc0=INT0        /* Safe to reenable the INT0 interrupt. */
        ei
        ioc=0x0000     /* CKO is free-running. */
    
```

Hardware Architecture (continued)**Power Management** (continued)

Low-Power Standby Mode, PLL Enabled and Selected. The PLL is enabled and selected to run at 100 MHz, assuming a constant CKI input clock of 10 MHz. Prior to entering low-power standby mode¹ by setting the AWAIT bit (**alf[15]**), the program reduces power by turning off all the peripherals and holding the CKO pin low. The PLL remains enabled and selected during standby mode and continues to dissipate power.

```
        di                /* Globally disable interrupts for PLL lock.          */
        pllcr=0xa9f2      /* pllcr[15]=1 enables the PLL to run at 100 MHz          */
                                /* with CKI=10 MHz. CKI must remain running.            */
pll_buzz:                                /* Assure time for PLL to lock                          */
        if lock goto select_pll
        goto pll_buzz
select_pll:
        pllcr=0xe9f2     /* pllcr[14]=1 selects the PLL.                          */
        ei                /* Globally re-enable interrupts.                        */
        .
        .                /* user code with CLK = 100 MHz                          */
        .
        powercr=0x181f   /* Prepare for standby - turn off peripherals.          */
        2*nop            /* Wait for it to take effect.                          */
        ioc=0x0040       /* Hold CKO low.                                         */
_standby:  alf=0x8000    /* Set AWAIT bit (stop core clock; interrupt logic      */
        nop              /* active.) nops needed for bedtime execution.          */
        nop              /* Reduced standby power plus PLL power consumed.      */
        nop              /* Interrupt wakes up the core.                          */
cont:      ...          /* User code executes here.                              */
        powercr=0x0000  /* Turn peripheral units back on.                        */
        2*nop            /* Wait for it to take effect.                          */
        ioc=0x0000     /* CKO is free-running.                                  */
```

1. The program exits low-power standby mode when any enabled interrupt occurs. Therefore, it is assumed that interrupts are globally enabled and at least one interrupt is individually enabled.

Hardware Architecture (continued)

Power Management (continued)

Low-Power Mode Standby with Slow Internal Clock, PLL Enabled and Not Selected. The PLL is enabled to run at 100 MHz, assuming a constant CKI input clock of 10 MHz. Prior to entering low-power standby mode¹ by setting the AWAIT bit (**alf[15]**), the program reduces power by turning off all the peripherals, holding the CKO pin low, and selecting the slow internal clock as the clock source. The PLL remains enabled during standby mode and continues to dissipate power.

```

        di                /* Globally disable interrupts for PLL lock.          */
        pll0c=0xa9f2      /* pll0c[15]=1 enables the PLL to run at 100 MHz          */
                                /* with CKI=10 MHz. CKI must remain running.             */
pll_buzz:                /* Assure time for PLL to lock                          */
        if lock goto select_pll
        goto pll_buzz
select_pll:
        pll0c=0xe9f2      /* pll0c[14]=1 selects the PLL.                          */
        ei                /* Globally re-enable interrupts.                        */
        .
        .                /* user code with CLK = 100 MHz                          */
        .
        pll0c=0xa9f2      /* Prepare for standby - deselect PLL,                  */
        powerc=0x1c1f     /* turn off peripherals and select slow clock.           */
        2*nop             /* Wait for it to take effect.                          */
        ioc=0x0040        /* Hold CKO low.                                         */
_standby:                /* Set AWAIT bit (stop core clock; interrupt logic      */
        nop              /* active.) nops needed for bedtime execution.         */
        nop              /* Reduced standby power plus PLL power consumed.     */
        nop              /* Interrupt wakes up the core.                        */
cont:                    /* User code executes here.                             */
        .
        pll0c=0xe9f2      /* Reselect the PLL - PLL already locked.              */
        powerc=0x0000     /* Turn off slow clock and turn peripherals back on.    */
        2*nop             /* Wait for it to take effect.                          */
        ioc=0x0000        /* CKO is free-running.                                  */

```

1. The program exits low-power standby mode when any enabled interrupt occurs. Therefore, it is assumed that interrupts are globally enabled and at least one interrupt is individually enabled.

Hardware Architecture (continued)**Power Management** (continued)

Software Stop, PLL Enabled and Not Selected. The PLL is enabled to run at 100 MHz, assuming a constant CKI input clock of 10 MHz. Prior to performing a software stop by setting the NOCK bit (**powerc[9]**), the program reduces power by turning off all the peripherals and holding the CKO pin low. Setting the NOCK bit shuts off the internal clock and stops program execution until an interrupt on the INT0 pin restarts the internal clock. (Alternatively, INT1 or RSTB can be used to restart the clock.) The device restarts with CKI as the internal clock before the program reselects the PLL clock. The PLL remains enabled during software stop and continues to dissipate power.

```

                di                /* Globally disable interrupts for PLL lock.          */
                pll0c=0xa9f2      /* pll0c[15]=1 enables the PLL to run at 100 MHz          */
                                /* with CKI=10 MHz. CKI must remain running.             */
pll_buzz:      /* Assure time for PLL to lock                          */
                if lock goto select_pll
                goto pll_buzz
select_pll:
                pll0c=0xe9f2      /* pll0c[14]=1 selects the PLL.                          */
                ei                /* Globally re-enable interrupts.                        */
                .
                .                /* user code with CLK = 100 MHz                          */
                .
                pll0c=0xa9f2      /* Prepare for stop--deselect PLL (select CKI),         */
                powerc=0x189f     /* set INT0EN, turn off peripherals.                    */
                2*nop             /* Wait for it to take effect.                          */
                di
                inc0=NO_INT0      /* Disable the INT0 interrupt (Clear inc0[11:10]).      */
                ei
                ioc = 0x0040      /* Hold CKO low.                                         */
_nock:        powerc=0x1e9f      /* Set NOCK to stop internal clock.                    */
                                /* Minimum switching power consumed here.               */
                3*nop             /* Some nops are needed.                                */
                                /* INT0 pin clears the NOCK bit; clocking resumes.     */
cont:         ...              /* User code executes here.                             */
                powerc=0x0000     /* Clear INT0EN bit, select high-speed clock,          */
                                /* turn on peripherals                                  */
                2*nop             /* Wait for it to take effect                            */
                pll0c=0xe9f2      /* Reselect the PLL - PLL already locked.              */
                ins 0x0020        /* Clear the INT0 status bit.                           */
                di
                inc0=INT0         /* Safe to reenale the INT0 interrupt.                  */
                ei
                ioc=0x0000        /* CKO is free-running PLL clock.                       */

```

Hardware Architecture (continued)**Power Management** (continued)

Software Stop, PLL Disabled and Not Selected. The PLL is enabled to run at 100 MHz, assuming a constant CKI input clock of 10 MHz. Prior to performing a software stop by setting the NOCK bit (**powerc[9]**), the program reduces power by turning off all the peripherals, holding the CKO pin low, and disabling the PLL. Because the PLL is disabled (powered down) during software stop, it does not dissipate power. The device restarts with CKI as the internal clock before the program reselects the PLL clock. After coming out of software stop, the program must enable the PLL and wait for it to lock before reselecting it.

```

        di                /* Globally disable interrupts for PLL lock.          */
        pll0c=0xa9f2      /* pll0c[15]=1 enables the PLL to run at 100 MHz          */
                        /* with CKI=10 MHz. CKI must remain running.            */
pll_buzz:                /* Assure time for PLL to lock                            */
        if lock goto select_pll
        goto pll_buzz
select_pll: pll0c=0xe9f2  /* pll0c[14]=1 selects the PLL.                          */
        ei                /* Globally re-enable interrupts.                        */
        .
        .                /* user code with CLK = 100 MHz                          */
        .
        pll0c=0x29f2     /* Prepare for stop--deselect and disable PLL...        */
        powerc=0x189f   /* (select CKI), set INTOEN, turn off peripherals.      */
        2*nop           /* Wait for it to take effect.                          */
        di
        inc0=NO_INT0    /* Disable the INTO0 interrupt (Clear inc0[11:10]).     */
        ei
        ioc = 0x0040    /* Hold CKO low.                                        */
_nock:  powerc=0x1e9f   /* Set NOCK to stop internal clock.                    */
                        /* Minimum switching power consumed here.              */
        3*nop           /* Some nops are needed.                                */
                        /* INTO0 pin clears the NOCK bit; clocking resumes.    */
cont:    ...           /* User code executes here.                             */
        powerc=0x0000   /* Clear INTOEN bit, select high-speed clock,          */
                        /* turn on peripherals                                  */
        2*nop           /* Wait for it to take effect                          */
        ins 0x0020      /* Clear the INTO0 status bit.                          */
        di                /* Globally disable interrupts for PLL lock...         */
        inc0=INT0       /* and inc0 change. Safe to reenabling INTO0.          */
        pll0c=0xa9f2   /* pll0c[15]=1 enables the PLL to run at 100 MHz.      */
pll_buzz2:                /* Assure time for PLL to lock                            */
        if lock goto select_pll2
        goto pll_buzz2
select_pll2:pll0c=0xe9f2 /* pll0c[14]=1 selects the PLL.                        */
        ei                /* Globally re-enable interrupts.                      */
        ioc=0x0000      /* CKO is free-running PLL clock.                      */

```

Software Architecture

Instruction Set Quick Reference

The DSP16210 instruction set consists of both 16-bit and 32-bit wide instructions and resembles C-code. The following table defines the seven types of instructions. The assembler translates a code line into the most efficient instruction(s). See [Table 33 on page 77](#) for instruction set notation conventions.

Table 31. DSP16210 Instruction Groups

| Instruction Group | F Title (If Applicable) | Description |
|----------------------------------|--|--|
| MAC | {F1} {TRANSFER} {F1E} {TRANSFER} {if CON} F1E | The powerful MAC instruction group is the primary group of instructions used for signal processing. Up to two data transfers can be combined with up to four parallel DAU operations in a single MAC instruction to execute simultaneously [†] . The DAU operation combinations include (but are not limited to) either a dual-MAC [‡] operation, an ALU operation and a BMU operation, or an ALU/ACS operation and an ADDER operation. The F1E instructions that do not include a transfer statement can execute conditionally based on the state of flags. |
| Special Function | {if CON} F2 ifc CON F2 {if CON} F2E ifc CON F2E | Special functions include rounding, negation, absolute value, and fixed arithmetic left and right shift operations. The operands are an accumulator, another DAU register, or an accumulator and another DAU register. Some special function instructions increment counters. Special functions execute conditionally based on the state of flags. |
| ALU | F3 {if CON} F3E | ALU instructions operate on two accumulators or on an accumulator and another DAU register. Many instructions can also operate on an accumulator and an immediate data word. The ALU operations are add, subtract, logical AND, logical OR, exclusive OR, maximum, minimum, and divide-step. Some F3E instructions include a parallel ADDER operation. The F3E instructions can execute conditionally based on the state of flags. |
| BMU | F4 {if CON} F4E | Full barrel shifting, exponent computation, normalization computation, bit-field extraction or insertion, and data shuffling between two accumulators are BMU operations that act on the accumulators. BMU operations are controlled by an accumulator, an auxiliary register, or a 16-bit immediate value. The F4E instructions can execute conditionally based on the state of flags. |
| Data Move and Pointer Arithmetic | — | Data move instructions transfer data between two registers or between a register and memory. This instruction group also supports immediate loads of registers, conditional register-to-register moves, pipeline block moves, and specialized stack operations. Pointer arithmetic instructions perform arithmetic on data pointers and do not perform a memory access. |
| Control | — | The control instruction group contains branch and call subroutine instructions with either a 20-bit absolute address or a 12-bit or 16-bit PC-relative address. This group also includes instructions to enable and disable interrupts. Some control instructions can execute conditionally based on the state of processor flags. |
| Cache | — | Cache instructions implement low-overhead loops by loading a set of up to 31 instructions into cache memory and repetitively executing them as many as $2^{16} - 1$ times. |

[†] Executes in one instruction cycle in most cases.

[‡] A dual-MAC operation consists of two multiplies and an add or subtract operation by the ALU, an add or subtract operation by the ADDER, or both.

Software Architecture (continued)

Instruction Set Quick Reference (continued)

See the *DSP16000 Digital Signal Processor Core Information Manual* and *DSP16000 Digital Signal Processor Core Instruction Set Reference Manual* for a detailed description of:

- The Instruction Set
- Pipeline Hazards¹
- Instruction Encoding Formats and Field Descriptions
- Instruction Set Reference

Table 32 starting on page 71 lists the entire instruction set with its cycle performance and the number of instruction/coefficient memory locations required for each. Below is an illustration of a single row of the table and a description of how to interpret its contents.

| Instruction | Flags | | | Cycles | | Words |
|---------------------|-------|----|-----|--------|----|-------|
| | sz | lm | - | Out | In | |
| ALU Group | | | | | | |
| aD = aS OP {aTE,pE} | (F3) | sz | lm- | 1 | 1 | 1 |

† szlme corresponds to the LMI (s), LEQ (z), LLV (l), LMV (m), and EPAR (e) flags. If a letter appears in this column, the corresponding flag is affected by this instruction. If a dash appears in this column, the corresponding flag is unaffected by this instruction. In the example shown, the instruction affects all flags except for EPAR. For MAC group instructions with both an ALU/ACS operation and an ADDER or BMU operation, the ALU/ACS result affects the LMI, LEQ, LLV, and LMV flags and the EPAR flag is unaffected. See Table 37 on page 85 for additional information.

Figure 22. Interpretation of the Instruction Set Summary Table

Table 33 on page 77 summarizes the instruction set notation conventions for interpreting the instruction syntax descriptions. Table 34 starting on page 78 is an overall replacement table that summarizes the replacement for every upper-case character string in the instruction set summary table (Table 32) except for F1 and F1E in the MAC instruction group. Table 35 on page 81 describes the replacement for the F1 field and Table 36 starting on page 83 describes the replacement for the F1E field.

1. A pipeline hazard occurs when a write to a register precedes an access that uses the same register and that register is not updated because of pipeline timing. The DSP16000 assembler automatically inserts a **nop** in this case to avoid the hazard.

Software Architecture (continued)

Instruction Set Quick Reference (continued)

Table 32. Instruction Set Summary

| Instruction | | | Flags | Cycles | | Words | | | |
|--|-----------------|-------------|--------|--------|----|-------|-------|--|--|
| | | | szlme | Out | In | | | | |
| Multiply/Accumulate (MAC) Group | | | | | | | | | |
| {F1} | Y | | szlme- | 1 | 1 | 1 | | | |
| {F1} | x(h,l)=Y | | szlme- | 1 | 1 | 1 | | | |
| {F1} | y(h,l)=Y | | szlme- | | | | | | |
| {F1} | aD(h,l)=Y | | szlme- | | | | | | |
| {F1} | Y=y(h,l) | | szlme- | | | | | | |
| {F1} | Y=aT(h,l) | | szlme- | | | | | | |
| {F1} | yh=aTh | xh=X | szlme- | | | | 1+Xc† | | |
| {F1} | yh=Y | xh=X | szlme- | | | | | | |
| {if CON} | F1E | | szlme | 1 | 1 | 2 | | | |
| {F1E} | y{h,l}=aTE{h,l} | | szlme | 1+Xc† | 1 | 2 | | | |
| {F1E} | aTE{h,l}=y{h,l} | | szlme | | | | | | |
| {F1E} | y=aE_Ph | | szlme | | | | | | |
| {F1E} | aE_Ph=y | | szlme | | | | | | |
| {F1E} | x{h,l}=YE | | szlme | | | | | | |
| {F1E} | y{h,l}=YE | | szlme | | | | | | |
| {F1E} | aTE{h,l}=YE | | szlme | | | | | | |
| {F1E} | aE_Ph=YE | | szlme | | | | | | |
| {F1E} | YE=x{h,l} | | szlme | | | | | | |
| {F1E} | YE=y{h,l} | | szlme | | | | | | |
| {F1E} | YE=aTE{h,l} | | szlme | | | | | | |
| {F1E} | YE=aE_Ph | | szlme | | | | | | |
| {F1E} | y{h}=*r0 | r0=rNE+jhb | szlme | | | | | | |
| {F1E} | YE | | szlme | | | | | | |
| {F1E} | | x{h,l}=XE | szlme | | | | | | |
| {F1E} | | aTE{h,l}=XE | szlme | | | | | | |
| {F1E} | | aE_Ph=XE | szlme | | | | | | |
| {F1E} | y=aE_Ph | x{h}=XE | szlme | | | | | | |
| {F1E} | y{h}=aTE{h} | x{h}=XE | szlme | | | | | | |
| {F1E} | aTE{h}=y{h} | x{h}=XE | szlme | | | | | | |
| {F1E} | y{h}=YE‡ | a4{h}=XE | szlme | | | | | | |
| {F1E} | y{h,l}=YE | x{h}=XE | szlme | | | | | | |
| {F1E} | YE=y{h,l} | x{h}=XE | szlme | | | | | | |
| {F1E} | y{h}=YE‡ | a4_5h=XE | szlme | | | | | | |
| {F1E} | YE=a6_7h | x{h}=XE | szlme | | | | | | |
| {F1E} | YE=a6{h}‡ | x{h}=XE | szlme | | | | | | |
| {F1E} | YE=a6{h}‡ | a4{h}=XE | szlme | | | | | | |

† Xc is one cycle if XAAU contention occurs and zero cycles otherwise. XAAU contention occurs frequently for these instruction types and can only be avoided by use of the cache.

‡ For this transfer, the postincrement options *rME and *rME-- are not available for double-word loads.

§ The - (40-bit subtraction) operation is encoded as aDE=aSE+IM16 with the IM16 value negated.

†† For conditional branch instructions, the execution time is two cycles if the branch is not taken.

‡‡ The instruction performs the same function whether or not {near} (optional) is included.

§§ Not including the N instructions.

Software Architecture (continued)

Instruction Set Quick Reference (continued)

Table 32. Instruction Set Summary (continued)

| Instruction | Flags | Cycles | | Words |
|---|-------|-------------------|--------|-------|
| | | szlme | Out In | |
| Multiply/Accumulate (MAC) Group (continued) | | | | |
| {F1E} y{h}= <i>r</i> 0 r0= <i>r</i> NE+j{lb} j=k k=XE | szlme | 1+Xc [†] | 1 | 2 |
| {F1E} XE | szlme | | | |
| Special Function Group | | | | |
| {if CON} aD=aS>>(1,4,8,16) (F2) | szlme | 1 | 1 | 1 |
| ifc CON aD=aS>>(1,4,8,16) (F2) | szlme | | | |
| {if CON} aD=aS (F2) | szlm- | | | |
| ifc CON aD=aS (F2) | szlm- | | | |
| {if CON} aD=-aS (F2) | szlm- | | | |
| ifc CON aD=-aS (F2) | szlm- | | | |
| {if CON} aD=~aS (F2) | szlm- | | | |
| ifc CON aD=~aS (F2) | szlm- | | | |
| {if CON} aD=rnd(aS) (F2) | szlm- | | | |
| ifc CON aD=rnd(aS) (F2) | szlm- | | | |
| {if CON} aDh=aSh+1 (F2) | szlm- | | | |
| ifc CON aDh=aSh+1 (F2) | szlm- | | | |
| {if CON} aD=aS+1 (F2) | szlm- | | | |
| ifc CON aD=aS+1 (F2) | szlm- | | | |
| {if CON} aD=(y,p0) (F2) | szlm- | | | |
| ifc CON aD=(y,p0) (F2) | szlm- | | | |
| {if CON} aD=aS<<(1,4,8,16) (F2) | szlme | | | |
| ifc CON aD=aS<<(1,4,8,16) (F2) | szlme | | | |
| {if CON} aDE=aSE>>(1,2,4,8,16) (F2E) | szlme | 1 | 1 | 2 |
| ifc CON aDE=aSE>>(1,2,4,8,16) (F2E) | szlme | | | |
| {if CON} aDE=aSE (F2E) | szlm- | | | |
| ifc CON aDE=aSE (F2E) | szlm- | | | |
| {if CON} aDE=-aSE (F2E) | szlm- | | | |
| ifc CON aDE=-aSE (F2E) | szlm- | | | |
| {if CON} aDE=~aSE (F2E) | szlm- | | | |
| ifc CON aDE=~aSE (F2E) | szlm- | | | |
| {if CON} aDE=rnd((aSE,pE)) (F2E) | szlm- | | | |
| ifc CON aDE=rnd((aSE,pE)) (F2E) | szlm- | | | |
| {if CON} aDE=rnd(-pE) (F2E) | szlm- | | | |
| ifc CON aDE=rnd(-pE) (F2E) | szlm- | | | |
| {if CON} aDE=rnd(aSE+pE) (F2E) | szlm- | | | |
| ifc CON aDE=rnd(aSE+pE) (F2E) | szlm- | | | |
| {if CON} aDE=rnd(aSE-pE) (F2E) | szlm- | | | |
| ifc CON aDE=rnd(aSE-pE) (F2E) | szlm- | | | |

† Xc is one cycle if XAAU contention occurs and zero cycles otherwise. XAAU contention occurs frequently for these instruction types and can only be avoided by use of the cache.

‡ For this transfer, the postincrement options *rME and *rME-- are not available for double-word loads.

§ The - (40-bit subtraction) operation is encoded as aDE=aSE+IM16 with the IM16 value negated.

†† For conditional branch instructions, the execution time is two cycles if the branch is not taken.

‡‡ The instruction performs the same function whether or not {near} (optional) is included.

§§ Not including the N instructions.

Software Architecture (continued)

Instruction Set Quick Reference (continued)

Table 32. Instruction Set Summary (continued)

| Instruction | Flags | Cycles | | Words |
|--|-------|--------|--------|-------|
| | | szlm- | Out In | |
| Special Function Group (continued) | | | | |
| {if CON} aDE=abs(aSE) (F2E) | szlm- | 1 | 1 | 2 |
| ifc CON aDE=abs(aSE) (F2E) | szlm- | | | |
| {if CON} aDEh=aSEh+1 (F2E) | szlm- | | | |
| ifc CON aDEh=aSEh+1 (F2E) | szlm- | | | |
| {if CON} aDE=aSE+1 (F2E) | szlm- | | | |
| ifc CON aDE=aSE+1 (F2E) | szlm- | | | |
| {if CON} aDE=<y,pE> (F2E) | szlm- | | | |
| ifc CON aDE=<y,pE> (F2E) | szlm- | | | |
| {if CON} aDE=<-y,-pE> (F2E) | szlm- | | | |
| ifc CON aDE=<-y,-pE> (F2E) | szlm- | | | |
| {if CON} aDE=aSE<<(1,2,4,8,16) (F2E) | szlme | | | |
| ifc CON aDE=aSE<<(1,2,4,8,16) (F2E) | szlme | | | |
| ALU Group | | | | |
| aD=aS OP <aTE,pE> (F3) | szlm- | 1 | 1 | 1 |
| aD= <aTE,pE>-aS (F3) | szlm- | | | |
| aD=FUNC(aS,<aTE,pE>) (F3) | szlm- | | | |
| aS-<aTE,pE> (F3) | szlm- | | | |
| aS&<aTE,pE> (F3) | szlm- | | | |
| {if CON} aDE=aSE OP <pE,y> (F3E) | szlm- | 1 | 1 | 2 |
| {if CON} aDE=aSE OP aTE (F3E) | szlm- | | | |
| {if CON} aDE= <pE,y>-aSE (F3E) | szlm- | | | |
| {if CON} aDE=FUNC(aSE,<pE,y>) (F3E) | szlm- | | | |
| {if CON} aDE=FUNC(aSE,aTE) (F3E) | szlm- | | | |
| {if CON} aSE-<pE,y> (F3E) | szlm- | | | |
| {if CON} aSE&<pE,y> (F3E) | szlm- | | | |
| {if CON} aSE-aTE (F3E) | szlm- | | | |
| {if CON} aSE&aTE (F3E) | szlm- | | | |
| {if CON} aDEE=aSEE±aTEE aDPE=aSPE±aTPE (F3E) | szlm- | | | |
| if CON aDE=aSE+aTE else aDE=aSE-aTE (F3E) | szlm- | | | |
| aDE=aSE<h,l> OP IM16§ (F3 with immediate) | szlm- | 1 | 1 | 2 |
| aDE=IM16-aSE<h,l> (F3 with immediate) | szlm- | | | |
| aSE<h,l>-IM16 (F3 with immediate) | szlm- | | | |
| aSE<h,l>&IM16 (F3 with immediate) | szlm- | | | |

† Xc is one cycle if XAAU contention occurs and zero cycles otherwise. XAAU contention occurs frequently for these instruction types and can only be avoided by use of the cache.

‡ For this transfer, the postincrement options *rME and *rME-- are not available for double-word loads.

§ The - (40-bit subtraction) operation is encoded as aDE=aSE+IM16 with the IM16 value negated.

†† For conditional branch instructions, the execution time is two cycles if the branch is not taken.

‡‡ The instruction performs the same function whether or not {near} (optional) is included.

§§ Not including the N instructions.

Software Architecture (continued)

Instruction Set Quick Reference (continued)

Table 32. Instruction Set Summary (continued)

| Instruction | Flags | Cycles | | Words |
|--|-------|--------|-----|-------|
| | | szlme | Out | |
| BMU Group | | | | |
| aD=aS SHIFT (aTEh,arM) (F4) | szlme | 1 | 1 | 1 |
| aDh=exp(aTE) (F4) | szlme | | | |
| aD=norm(aS, (aTEh,arM)) (F4) | szlme | | | |
| aD=extracts(aS, aTEh) aD=extractz(aS, aTEh) (F4) | szlme | | | |
| aD=inserts(aS, aTEh) aD=insertz(aS, aTEh) (F4) | szlme | | | |
| aD=extract(aS, arM) aD=extracts(aS, arM) aD=extractz(aS, arM) (F4) | szlme | | | |
| aD=insert(aS, arM) aD=inserts(aS, arM) aD=insertz(aS, arM) (F4) | szlme | | | |
| aD=aS:aTE (F4) | szlm- | | | |
| aDE=extract(aSE, IM8W, IM8O) (F4 with immediate) aDE=extracts(aSE, IM8W, IM8O) aDE=extractz(aSE, IM8W, IM8O) | szlme | 1 | 1 | 2 |
| aDE=insert(aSE, IM8W, IM8O) (F4 with immediate) aDE=inserts(aSE, IM8W, IM8O) aDE=insertz(aSE, IM8W, IM8O) | szlme | | | |
| aDE=aSE SHIFT IM16 (F4 with immediate) | szlme | | | |
| {if CON} aDE=aSE SHIFT(aTEh,arM) (F4E) | szlme | 1 | 1 | 2 |
| {if CON} aDEh=exp(aTE) (F4E) | szlme | | | |
| {if CON} aDE=norm(aSE, (aTEh,arM)) (F4E) | szlme | | | |
| {if CON} aDE=extracts(aSE, aTEh) {if CON} aDE=extractz(aSE, aTEh) (F4E) | szlme | | | |
| {if CON} aDE=inserts(aSE, aTEh) {if CON} aDE=insertz(aSE, aTEh) (F4E) | szlme | | | |
| {if CON} aDE=extract(aSE, arM) {if CON} aDE=extracts(aSE, arM) {if CON} aDE=extractz(aSE, arM) (F4E) | szlme | | | |
| {if CON} aDE=insert(aSE, arM) {if CON} aDE=inserts(aSE, arM) {if CON} aDE=insertz(aSE, arM) (F4E) | szlme | | | |
| {if CON} aDE=aSE:aTE (F4E) | szlm- | | | |

† Xc is one cycle if XAAU contention occurs and zero cycles otherwise. XAAU contention occurs frequently for these instruction types and can only be avoided by use of the cache.

‡ For this transfer, the postincrement options *rME and *rME-- are not available for double-word loads.

§ The - (40-bit subtraction) operation is encoded as aDE=aSE+IM16 with the IM16 value negated.

†† For conditional branch instructions, the execution time is two cycles if the branch is not taken.

‡‡ The instruction performs the same function whether or not {near} (optional) is included.

§§ Not including the N instructions.

Software Architecture (continued)

Instruction Set Quick Reference (continued)

Table 32. Instruction Set Summary (continued)

| Instruction | Flags | Cycles | | Words |
|---|-------|--------|----|-------|
| | szlme | Out | In | |
| Data Move and Pointer Arithmetic Group | | | | |
| RAB=IM20 | — | 1 | 1 | 2 |
| RA=IM4 | — | 1 | 1 | 1 |
| RAD=RAs | — | 1 | 1 | 1 |
| {if CON} RAB _D =RAB _S | — | | | 2 |
| RB=aTE⟨h,l⟩ | — | 1 | 1 | 1 |
| aTE⟨h,l⟩=RB | — | | | |
| RA=Y | — | 1 | 1 | 1 |
| Y=RA | — | | | |
| RAB=YE | — | 1 | 1 | 2 |
| YE=RC | — | | | |
| RAB=*sp++2 | — | 1 | 1 | 1 |
| *sp--2=RC | — | | | |
| sp--2 | — | | | |
| *sp=RC | — | | | |
| push RC | — | | | |
| pop RC | — | | | |
| r3--sizeof(RAB) | — | | | |
| RA=*(sp+IM5) | — | 2 | 2 | 1 |
| *(sp+IM5)=RA | — | | | |
| RAB=*(RP+IM12) | — | 2 | 2 | 2 |
| *(RP+IM12)=RC | — | | | |
| RAB=*(RP+⟨j,k⟩) | — | | | |
| *(RP+⟨j,k⟩)=RC | — | | | |
| RY=RP+IM12 | — | 1 | 1 | 2 |
| RY=RP+⟨j,k⟩ | — | | | |
| RAB=*r7 r7=sp+IM11 | — | 1 | 1 | 2 |
| *r7=RC r7=sp+IM11 | — | | | |
| YE‡=x⟨h⟩ x⟨h⟩=XE | — | 1+Xc† | 1 | 2 |

† Xc is one cycle if XAAU contention occurs and zero cycles otherwise. XAAU contention occurs frequently for these instruction types and can only be avoided by use of the cache.

‡ For this transfer, the postincrement options *rME and *rME-- are not available for double-word loads.

§ The - (40-bit subtraction) operation is encoded as aDE=aSE+IM16 with the IM16 value negated.

†† For conditional branch instructions, the execution time is two cycles if the branch is not taken.

‡‡ The instruction performs the same function whether or not {near} (optional) is included.

§§ Not including the N instructions.

Software Architecture (continued)

Instruction Set Quick Reference (continued)

Table 32. Instruction Set Summary (continued)

| Instruction | Flags | Cycles | | Words |
|--------------------------------|-------|-----------------|----|-----------------|
| | szlme | Out | In | |
| Control Group | | | | |
| {near} goto IM12 ^{††} | — | 3 | — | 1 |
| {near} call IM12 ^{††} | — | | | |
| {if CON} goto IM16 | — | 3 ^{††} | — | 2 |
| {if CON} call IM16 | — | | | |
| far goto IM20 | — | 3 | — | |
| far call IM20 | — | | | |
| {if CON} goto ptE | — | 3 ^{††} | — | 1 |
| {if CON} call ptE | — | | | |
| {if CON} call pr | — | | | |
| tcall | — | 3 | — | |
| icall IM6 | — | | | |
| {if CON} return | — | 3 ^{††} | — | |
| ireturn | — | 3 | — | |
| treturn | — | | | |
| ei | — | 1 | 1 | |
| di | | | | |
| Cache Group | | | | |
| do K {N_INSTR} | — | 1 ^{§§} | — | 1 ^{§§} |
| redo K | — | 2 | — | 1 |
| do cloop {N_INSTR} | — | 1 ^{§§} | — | 1 ^{§§} |
| redo cloop | — | 2 | — | 1 |

† Xc is one cycle if XAAU contention occurs and zero cycles otherwise. XAAU contention occurs frequently for these instruction types and can only be avoided by use of the cache.

‡ For this transfer, the postincrement options *rME and *rME-- are not available for double-word loads.

§ The - (40-bit subtraction) operation is encoded as aDE=aSE+IM16 with the IM16 value negated.

†† For conditional branch instructions, the execution time is two cycles if the branch is not taken.

‡‡ The instruction performs the same function whether or not {near} (optional) is included.

§§ Not including the N instructions.

Software Architecture (continued)

Instruction Set Quick Reference (continued)

Table 33 defines the symbols used in instruction descriptions. Some symbols and characters are part of the instruction syntax, and must appear as shown within the instruction. Other symbols are representational and are replaced by other characters. The table groups these two types of symbols separately.

Table 33. Notation Conventions for Instruction Set Descriptions

| Symbol | Meaning | | |
|----------------|-------------------------------|--|--|
| Part of Syntax | * | 16-bit x 16-bit multiplication resulting in a 32-bit product. Exception: When used as a prefix to an address register, denotes register-indirect addressing, e.g., *r3. | |
| | **2 | Squaring is a 16-bit x 16-bit multiplication of the operand with itself resulting in a 32-bit product. | |
| | + | 40-bit addition†. | |
| | - | 40-bit subtraction†. | |
| | ++ | Register postincrement. | |
| | -- | Register postdecrement. | |
| | >> | Arithmetic right shift (with sign-extension from bit 39). | |
| | << | Arithmetic left shift (padded with zeros). | |
| | >>> | Logical right shift (zero guard bits before shift). | |
| | <<< | Logical left shift (padded with zeros; sign-extended from bit 31). | |
| | & | 40-bit bitwise logical AND†. | |
| | | 40-bit bitwise logical OR†. | |
| | ^ | 40-bit bitwise logical exclusive-OR†. | |
| | : | Register shuffle‡. | |
| | ~ | One's complement (bitwise inverse). | |
| | () | Parentheses enclose multiple operands delimited by commas that are also part of the syntax. | |
| | { } | Braces enclose multiple instructions within a cache loop. | |
| | _ (underscore) | The underscore character indicates an accumulator vector (concatenation of the high halves of a pair of sequential accumulators, e.g., a0_1h). | |
| | lower-case | Lower-case characters appear as shown in the instruction. | |
| | Not Part of Syntax (Replaced) | < > | Angle brackets enclose items delimited by commas, one of which must be chosen. |
| { } | | Mid braces enclose one or more optional items delimited by commas. | |
| ± | | Replaced by either + or -. | |
| UPPER-CASE | | Upper-case characters, character strings, and characters plus numerals (e.g., M, CON, and IM16) are replaced. Replacement tables accompany each instruction group description. | |
| F Titles | | Represents a statement of a DAU function: | |
| | | F1 | MAC. |
| | | F1E | Extended MAC. |
| | | F2 | Special function. |
| | | F2E | Extended special function. |
| | | F3 | ALU. |
| | F3E | Extended ALU. | |
| | F4 | BMU. | |
| F4E | Extended BMU. | | |

† The ALU/ACS and ADDER perform 40-bit operations, but the operands can be 16 bits, 32 bits, or 40 bits. In the special case of the split-mode F1E instruction (xh=aSPEh±yh xl=aSPEl±yl aDE=aSEE+p0+p1 p0=xh**2 p1=xl**2), the ALU performs two 16-bit addition/subtraction operations in parallel.

‡ Note that this symbol does not denote compound addressing as it does for the DSP16XX family.

Software Architecture (continued)

Instruction Set Quick Reference (continued)

Table 34. Overall Replacement Table

| Symbol | Used in Instruction Type(s) | Replaced By | Description |
|--------------|--|---|---|
| aD | F1, F2, F3, | a0 or a1 (DSP16XX-compatible) | D indicates destination of an operation. |
| aS | F4 | | S indicates source of an operation. |
| aT | F1 | | T indicates an accumulator that is the source of a data transfer. |
| a \bar{D} | | | \bar{D} indicates the inverse of the destination. |
| aDE | F1E, F2E, | a0 , a1 , a2 , a3 , a4 , a5 , a6 , or a7 | D indicates destination of an operation. S indicates source of an operation. T indicates an accumulator that is either an additional source for an operation or the source or destination of a data transfer. E indicates the extended set of accumulators. |
| aSE | F3/E, F4/E | | |
| aTE | F1E, F3/E, F4/E, data move | | |
| aDEE | F1E, F3E | a(DPE – 1) → a0 , a2 , a4 , or a6 | D indicates destination of an operation. S indicates source of an operation. T indicates an accumulator that is either an additional source for an operation or the source or destination of a data transfer. The first E indicates an even accumulator that is paired with its corresponding paired extended (odd) accumulator, i.e., the matching aDPE , aSPE , or aTPE accumulator. The second E indicates the extended set of accumulators. |
| aSEE | | a(SPE – 1) → a0 , a2 , a4 , or a6 | |
| aTEE | F3E | a(TPE – 1) → a0 , a2 , a4 , or a6 | |
| aDPE | F1E, F3E | a(DEE + 1) → a1 , a3 , a5 , or a7 | P indicates an odd accumulator that is paired with an even extended accumulator, i.e., the matching aDEE , aSEE , or aTEE accumulator. E indicates the extended set of accumulators. |
| aSPE | | a(SEE + 1) → a1 , a3 , a5 , or a7 | |
| aTPE | F3E | a(TEE + 1) → a1 , a3 , a5 , or a7 | |
| aE_Ph | F1E | a0_1h , a2_3h , a4_5h , or a6_7h | An accumulator vector, i.e., the concatenated 16-bit high halves of two adjacent accumulators to form a 32-bit vector. |
| arM | F4, F4E | ar0 , ar1 , ar2 , or ar3 | One of the four auxiliary accumulators. |
| cloop | cache | 11-bit unsigned value (1 to 65,535) | 16-bit value that specifies the number of times the instructions execute. |
| CON | F1E, F2, F2E, F3E, F4E, control, data move | mi , pl , eq , ne , lvs , lvc , mvs , mvc , heads , tails , c0ge , c0lt , c1ge , c1lt , true , false , gt , le , oddp , evenp , smvs , smvc , jobf , jibe , jcont , lock , mbusy1 , mbusy0 , somef , somet , allf , or allt | Conditional mnemonics. Certain instructions are conditionally executed, e.g., if CON F2E . |
| FUNC | F3, F3E | max , min , or divs | One of three ALU functions: maximum, minimum, or divide-step. |
| IM4 | data move | 4-bit unsigned immediate value (0 to 15) | Signed/unsigned status of the IM4 value matches that of the destination register of the data move assignment instruction. |
| | | 4-bit signed immediate value (–8 to +7) | |
| IM5 | data move | 5-bit unsigned immediate value (0 to 31) | Added to stack pointer sp to form stack address. |
| IM6 | control | 6-bit unsigned immediate value (0 to 63) | Vector for icall instruction. |
| IM8O IM8W | F4 | 8-bit unsigned immediate value (0 to 255) | Offset and width for bit-field insert and extract instructions. The BMU truncates these values to 6 bits. |
| IM11 | data move | 11-bit unsigned immediate value (0 to 2047) | Added to stack pointer sp to form stack address. |

† The size of the transfer (single- or double-word) depends on the size of the register on the other side of the equal sign.

‡ These postmodification options are not available for a double-word load except for a load of an accumulator vector.

Software Architecture (continued)

Instruction Set Quick Reference (continued)

Table 34. Overall Replacement Table (continued)

| Symbol | Used in Instruction Type(s) | Replaced By | Description |
|------------------|----------------------------------|---|--|
| IM12 | control | 12-bit signed immediate value (-2048 to +2047) | PC-relative near address for goto and call instructions. |
| | data move and pointer arithmetic | | Postmodification to a general YAAU pointer register to form address for data move. Added to the value of a general YAAU pointer register, and the result is stored into any YAAU register. |
| IM16 | control | 16-bit signed immediate value (-32,768 to +32,767) | Offset for conditional PC-relative goto/call instructions. |
| | F3, F4 | | Operand for ALU or BMU operation. |
| IM20 | control, data move | 20-bit unsigned immediate value (0 to 1,048,576) | Absolute (unsigned) far address for goto and call instructions. For data move instructions, the signed/unsigned status of the IM20 value matches that of the destination register of the assignment instruction. |
| | | 20-bit signed immediate value (-524,288 to 524,287) | |
| K | cache | 1 to 127 or the value in cloop | For the do K {N_INSTR} and redo K cache instructions. |
| N | | 1 to 31 | |
| OP | F1, F1E, F3, F3E | +, -, &, , or ^ | 40-bit ALU operation. |
| pE | F2E, F3, F3E | p0 or p1 | One of the product registers as source for a special function or ALU operation. |
| ptE | F1E, control, data move | pt0 or pt1 | One of the two XAAU pointer registers as address for an XE memory access (see XE entry in this table). |
| RA | data move | a0, a1, a2, a3, a4, a5, a6, a7, a0h, a1h, a2h, a3h, a4h, a5h, a6h, a7h, a0l, a1l, a2l, a3l, a4l, a5l, a6l, a7l, alf, auc0, c0, c1, c2, h, i, j, k, p0, p0h, p0l, p1, p1h, p1l, pr, psw0, pt0, pt1, r0, r1, r2, r3, r4, r5, r6, r7, rb0, rb1, re0, re1, sp, x, xh, xl, y, yh, or yl | One of the main set of core registers that is specified as the source or destination of a data move operation. The subscripts are used to indicate that two different registers can be specified, e.g., RA_D = RA_S describes a register-to-register move instruction where RA _D and RA _S are, in general, two different registers. |
| RA _D | | | |
| RA _S | | | |
| RB | core | a0g, a1g, a2g, a3g, a4g, a5g, a6g, a7g, a0_1h, a2_3h, a4_5h, a6_7h, ar0, ar1, ar2, ar3, auc1, cloop, cstate, csave, inc0, inc1, ins, pi, psw1, ptrap, vbase, or vsw | One of the secondary set of registers that is specified as the source or destination of a data move operation. This set includes core and off-core registers. |
| | off-core | cbit, ioc, jjob, mcmd0, mcmd1, miwp0, miwp1, morp0, morp1, mwait, pll, powerc, sbit, timer0, timer0c, timer1, or timer1c | |
| RAB | | Any of the RA or RB registers (see rows above) | Any one of the registers in the main (RA) or secondary (RB) sets of registers that is specified as the source or destination of a data move operation. The subscripts are used to indicate that two different registers can be specified. |
| RAB _D | | | |
| RAB _S | | | |
| RC | | Any of the RA registers or any of the core RB registers (see rows above) | Any core register that is specified as the source or destination of a data move operation. |
| rM | F1, data move | r0, r1, r2, or r3 | One of four general YAAU pointer registers used for a Y memory access (see Y entry in this table). |

† The size of the transfer (single- or double-word) depends on the size of the register on the other side of the equal sign.

‡ These postmodification options are not available for a double-word load except for a load of an accumulator vector.

Software Architecture (continued)

Instruction Set Quick Reference (continued)

Table 34. Overall Replacement Table (continued)

| Symbol | Used in Instruction Type(s) | Replaced By | Description |
|--------|----------------------------------|--|--|
| rME | F1E, data move | r0, r1, r2, r3, r4, r5, r6, or r7 | One of eight general YAAU pointer registers used for a YE memory access (see YE entry in this table). E indicates the extended set of pointer registers. |
| rNE | F1E | r1, r2, r3, r4, r5, r6, or r7 | One of seven general YAAU pointer registers used for a table look-up pointer update. |
| RP | data move and pointer arithmetic | r0, r1, r2, r3, r4, r5, r6, or sp | One of seven general YAAU pointer registers or the YAAU stack pointer. |
| RY | | r0, r1, r2, r3, r4, r5, r6, r7, sp, rb0, rb1, re0, re1, j, or k | Any one of the YAAU registers, including the stack pointer, circular buffer pointers, and increment registers. |
| X | F1 | *pt0++ or *pt0++i | A single-word location pointed to by pt0 . |
| Y | F1 | *rM, *rM++, *rM--, or *rM++j | A single-word location pointed to by rM . |
| | {F1} Y | rM++, rM--, or rM++j | Modification of rM pointer register (no memory access). |
| | data move | *rM, *rM++, *rM--, or *rM++j | A single- or double-word [†] location pointed to by rM . |
| XE | F1E, data move | *ptE [‡] , *ptE++, *ptE-- [‡] , *ptE++h, or *ptE++i | A single-word or double-word [†] memory location pointed to by ptE . |
| | {F1E} XE | ptE++, ptE--, ptE++h, ptE++i, or ptE++2 | Modification of ptE pointer register (no memory access). |
| YE | F1E, data move | *rME, *rME++, *rME--, *rME++j, or *rME++k | A single-word or double-word [†] memory location pointed to by rME . |
| | {F1E} YE | rME++, rME--, rME++j, rME++k, rME++2, or rME--2 | Modification of rME pointer register (no memory access). |

[†] The size of the transfer (single- or double-word) depends on the size of the register on the other side of the equal sign.

[‡] These postmodification options are not available for a double-word load except for a load of an accumulator vector.

Table 35 on page 81 defines the F1 instruction syntax as any function statement combined with any transfer statement. Two types of F1 function statements are shown: the MAC (multiply/accumulate) type and the arithmetic/logic type. The MAC type is formed by combining any two items from the designated ALU and Multiplier columns. The arithmetic/logic type is chosen from the items in the designated Arithmetic/Logic Function Statement column.

Software Architecture (continued)

Instruction Set Quick Reference (continued)

Table 35. F1 Instruction Syntax

| Combine Any F1 Function Statement with Any Transfer Statement | | | | |
|---|--------------------------------------|--|--|-----------------|
| F1 MAC Function Statement— Combine Any Items in Following Two Columns: | | Transfer Statement | Cycles (Out/In Cache) [†] | 16-Bit Words |
| ALU | Multiplier | | | |
| $aD = \{aS \pm\} p0$ | $p0 = xh * yh$ | $Y\ddagger$ | 1/1 | 1 |
| (no ALU operation) [§] | (no multiply operation) [§] | $\langle x, y, a\bar{D}^{\dagger\dagger} \rangle \langle h, l \rangle = Y$ | 1/1 | |
| F1 Arithmetic/Logic Function Statement (ALU) | | $Y = \langle y, aT \rangle \langle h, l \rangle$ | 1/1 | |
| $aD = \{aS OP\} y$ | | $yh = \langle Y, aTh \rangle \quad xh = X$ | $1 + Xc^{\ddagger\dagger}/1$ | |
| $aS - y$ | | (no transfer) ^{§§} | 1/1 | |
| $aS \& y$ | | | | |
| $nop^{\dagger\dagger\dagger}$ | | | | |
| (no F1 function statement) [§] | | | | |

- † Not including conflict, misalignment, or external wait-states (see the *DSP16000 Digital Signal Processor Core Information Manual*).
- ‡ This Y transfer statement must increment or decrement the contents of an **rM** register. It is not necessary to include the * before the **rM** register because no access is made to a memory location.
- § Leave the ALU column blank to specify no ALU operation, the multiplier column blank to specify no multiply operation, or both columns blank to specify no F1 function statement. If both columns are left blank and a transfer statement is used (a transfer-only F1 instruction, i.e., **yh = *r2 xh = *pt0++**), the assembler interprets the F1 function statement as a **nop**.
- †† For this instruction, **aD** must be the opposite of **aD**, e.g., if **aD** is **a0**, **aD** must be **a1** and vice versa.
- ‡‡ Xc is one cycle if XAAU contention occurs and zero cycles otherwise. XAAU contention occurs frequently for these instruction types and can only be avoided by use of the cache. See the *DSP16000 Digital Signal Processor Core Information Manual*.
- §§ The assembler encodes an instruction that consists of a function statement **F1** with no transfer statement as **F1 *r0**.
- ††† **nop** is no-operation. A programmer can write **nop** with or without an accompanying transfer statement. The assembler encodes **nop** with-out a transfer statement as **nop *r0**.

Software Architecture (continued)**Instruction Set Quick Reference** (continued)

Table 36 starting on page 83 summarizes the syntax for F1E function statements and the following paragraphs describe each class of instruction.

Note: Each function statement can be combined with a parallel transfer statement to form a single DSP16210 instruction.

General-Purpose MAC Combine any ALU, ADDER, or ALU and ADDER operation from the left column with any single- or dual-multiply operation from the right column. Either column can be left blank.¹

Additional General-Purpose MAC

These statements are general-purpose. The combinations of operations must be as shown. The first statement clears two accumulators and both product registers. The second statement is the equivalent of the F1 statement **aD=p0 p0=xh*yh** except that any accumulator aDE can be specified. The third statement is the equivalent of the F1 statement **aD=p0** except that any accumulator aDE can be specified. The fourth statement is a no-operation and, as with all F1E function statements, can be combined with a transfer statement.

Special-Purpose MAC for Mixed Precision

Combine any ADDER operation or any ALU and ADDER operation from the left column with any dual-multiply operation from the right column. Either column can be left blank.¹ These statements are intended for, but are not limited to, mixed-precision MAC applications. Mixed-precision multiplication is 16 bits x 31 bits.

Special-Purpose MAC for Double Precision

These statements are intended for, but are not limited to, double-precision MAC applications. The combinations of operations must be as shown. Double-precision multiplication is 31 bits x 31 bits.

Special-Purpose MAC for Viterbi

These statements are intended for, but are not limited to, Viterbi decoding applications. The combinations of operations must be as shown. This group includes ALU split-mode operations.

Special-Purpose MAC for FFT

This statement is intended for, but is not limited to, FFT applications.

ALU

These statements are ALU operations. The first three statements in this group are the equivalent of the F1 arithmetic/logic function statements.

Special-Purpose ALU/ACS, ADDER for Viterbi

These statements are intended for, but are not limited to, Viterbi decoding applications. They provide an ALU/ACS operation with or without a parallel ADDER operation. The combinations of operations must be as shown. This group includes the Viterbi compare functions.

Special-Purpose ALU, BMU

These statements are intended for, but are not limited to, special-purpose applications. They provide a BMU operation with or without a parallel ALU operation. The combinations of operations must be as shown.

1. If both columns are left blank and a transfer statement is used, the DSP16000 assembler interprets the F1E function statement as a no-operation (**nop**).

Software Architecture (continued)

Instruction Set Quick Reference (continued)

Table 36. F1E Function Statement Syntax

General-Purpose MAC Function Statements—Combine Any Items in Two Columns:

| ALU† | ADDER† | Multipliers | |
|---------------------------------|----------------|-------------------------|----------|
| aDE=aSE±p0 | | p0=xh*yh | |
| | aDE=aSE±p0±p1‡ | p0=xh*yh | p1=xl*yl |
| aDEE=aSEE±p0 | aDPE=aSPE±p1 | p0=xh*yl | p1=xl*yh |
| (no ALU/ACS or ADDER operation) | | p0=xh*yh | p1=xh*yl |
| | | p0=xl*yh | p1=xl*yl |
| | | (no multiply operation) | |

Additional General-Purpose MAC Function Statements

| ALU† | ADDER† | Multipliers | |
|--------|--------|-------------|------|
| aDE=0 | aSE=0 | p0=0 | p1=0 |
| aDE=p0 | | p0=xh*yh | |
| aDE=p0 | | | |
| nop | | | |

Special-Purpose MAC Function Statements for Mixed Precision—Combine Any Items in Two Columns:

| ALU† | ADDER† | Multipliers | |
|---------------------------------|-------------------|-------------------------|----------------|
| | aDE=p0+(p1>>15)§ | p0=xh*yh | p1=xh*(yl>>>1) |
| aDEE=aSE+aDPE | aDPE=p0+(p1>>15)§ | p0=xl*yh | p1=xl*(yl>>>1) |
| (no ALU/ACS or ADDER operation) | | (no multiply operation) | |

Special-Purpose MAC Function Statements for Double Precision

| ALU† | ADDER† | Multipliers | |
|-------------------|------------------------|----------------|----------------------|
| | aDE=aSE+p0+(p1>>15)‡§ | p0=xh*yh | p1=xh*(yl>>>1) |
| | aDE=aSE+p0+(p1>>15)‡§ | | |
| | aDE=p0+(p1>>15)§ | p0=0 | p1=(xl>>>1)*yh |
| aDEE=aSE+aDPE | aDPE=p0+(p1>>15)§ | p0=0 | p1=(xl>>>1)*yh |
| | aDE=(p0>>>1)+(p1>>16) | p0=(xl>>>1)*yh | p1=xh*yh |
| aDEE=aSE+aDPE | aDPE=(p0>>>1)+(p1>>16) | p0=(xl>>>1)*yh | p1=xh*yh |
| aDE=aSE+(p0>>>1) | | | |
| | | p0=xh*(yl>>>1) | p1=(xl>>>1)*(yl>>>1) |
| aDE=(aSE>>>14)+p1 | | p0=xh*(yl>>>1) | p1=(xl>>>1)*(yl>>>1) |
| aDE=(aSE>>>14)+p1 | | | |

† DAU flags are affected by the ALU or ALU/ACS operation (except for the split-mode function which does not affect the flags). If there is no ALU or ALU/ACS operation, the DAU flags are affected by the ADDER or BMU operation.

‡ If **auc0[10]** (FSAT field) is set, the result of the add/subtract of the first two operands is saturated to 32 bits prior to adding/subtracting the third operand and the final result is saturated to 32 bits.

§ If **auc0[9]** = 1, the least significant bit of **p1>>>15** is cleared.

†† This split-mode instruction does not affect the DAU flags. Do not set FSAT for this instruction because if FSAT is set, the entire 32 bits are saturated.

Software Architecture (continued)

Instruction Set Quick Reference (continued)

Table 36. F1E Function Statement Syntax (continued)

Special-Purpose MAC Function Statements for Viterbi

| ALU† | ADDER† | Multipliers |
|-------------------------------|------------------|-----------------------------|
| $xh=aSPEh+yh$ $xl=aSPEl+yl††$ | $aDE=aSEE+p0+p1$ | $p0=xh^{**}2$ $p1=xl^{**}2$ |
| $xh=aSPEh-yh$ $xl=aSPEl-yl††$ | $aDE=aSEE+p0+p1$ | $p0=xh^{**}2$ $p1=xl^{**}2$ |
| | $aDE=aSE+p0+p1‡$ | $p0=xh^{**}2$ $p1=xl^{**}2$ |

Special-Purpose MAC Function Statement for FFT

| ALU† | ADDER† | Multipliers |
|-----------------|-----------------|-----------------------|
| $aDEE=-aSEE+p0$ | $aDPE=-aSPE+p1$ | $p0=xh*yh$ $p1=xl*yl$ |

ALU Function Statements

| |
|-------------------|
| $aDE=\{aSEOP\}y$ |
| $aSE-y$ |
| $aSE \& y$ |
| $aDE=aDE \pm aSE$ |

Special-Purpose ALU/ACS, ADDER Function Statements for Viterbi

| ALU/ACS† | ADDER† |
|------------------------|------------------|
| $aDEE=cmp0(aSEE,aDEE)$ | $aDPE=aDPE+aSPE$ |
| $aDE=cmp0(aSE,aDE)$ | |
| $aDEE=cmp1(aSE,aDEE)$ | $aDPE=aDPE-aSE$ |
| $aDE=cmp1(aSE,aDE)$ | |
| $aDEE=cmp2(aSE,aDEE)$ | $aDPE=aDPE-aSE$ |
| $aDE=cmp2(aSE,aDE)$ | |
| $aDEE=aSEE+y$ | $aDPE=aSPE-y$ |
| $aDEE=aSEE-y$ | $aDPE=aSPE+y$ |

Special-Purpose ALU, BMU Function Statements

| ALU† | BMU† |
|-----------------------|-----------------------|
| $aDEE=rnd(aDPE)$ | $aDPE=aSEE \gg aSPEh$ |
| | $aDE=aSEE \gg aSPEh$ |
| $aDE=abs(aDE)$ | $aSE=aSE \ll ar3$ |
| | $aDE=aSE \ll ar3$ |
| | $aDE=aSE \ll \ll ar3$ |
| $aDEE=min(aDPE,aDEE)$ | $aDPEh=exp(aSE)$ |

† DAU flags are affected by the ALU or ALU/ACS operation (except for the split-mode function which does not affect the flags). If there is no ALU or ALU/ACS operation, the DAU flags are affected by the ADDER or BMU operation.

‡ If **auc0[10]** (FSAT field) is set, the result of the add/subtract of the first two operands is saturated to 32 bits prior to adding/subtracting the third operand and the final result is saturated to 32 bits.

§ If **auc0[9]** = 1, the least significant bit of **p1 >> 15** is cleared.

†† This split-mode instruction does not affect the DAU flags. Do not set FSAT for this instruction because if FSAT is set, the entire 32 bits are saturated.

Software Architecture (continued)

Instruction Set Quick Reference (continued)

Conditions Based on the State of Flags

A conditional instruction begins with either **if CON** or **ifc CON** where a condition to test replaces **CON**. Table 37 describes the complete set of condition codes available for use in conditional instructions. It also includes the state of the internal flag or flags that cause the condition to be true.

Table 37. DSP16210 Conditional Mnemonics

| CON Encoding | CON Mnemonic | Flag(s) If CON Is True | Type [†] | Description |
|--------------|-------------------|----------------------------|-------------------|---|
| 00000 | mi | LMI = 1 | Core | Most recent DAU result is negative. |
| 00001 | pl | LMI ≠ 1 | Core | Most recent DAU result is positive or zero. |
| 00010 | eq | LEQ = 1 | Core | Most recent DAU result is equal to zero. |
| 00011 | ne | LEQ ≠ 1 | Core | Most recent DAU result is not equal to zero. |
| 00100 | lvs | LLV = 1 | Core | Most recent DAU result has overflowed 40 bits. |
| 00101 | lvc | LLV ≠ 1 | Core | Most recent DAU result has not overflowed 40 bits. |
| 00110 | mvs | LMV = 1 | Core | Most recent DAU result has overflowed 32 bits. |
| 00111 | mvc | LMV ≠ 1 | Core | Most recent DAU result has not overflowed 32 bits. |
| 01000 | heads | — | Core | Pseudorandom sequence generator output is set. |
| 01001 | tails | — | Core | Pseudorandom bit is clear. |
| 01010 | c0ge [‡] | — | Core | Current value in counter c0 is greater than or equal to zero. |
| 01011 | c0lt [‡] | — | Core | Current value in counter c0 is less than zero. |
| 01100 | c1ge [‡] | — | Core | Current value in counter c1 is greater than or equal to zero. |
| 01101 | c1lt [‡] | — | Core | Current value in counter c1 is less than zero. |
| 01110 | true | 1 | Core | Always. |
| 01111 | false | 0 | Core | Never. |
| 10000 | gt | (LMI ≠ 1) and (LEQ ≠ 1) | Core | Most recent DAU result is greater than zero. |
| 10001 | le | (LMI = 1) or (LEQ = 1) | Core | Most recent DAU result is less than or equal to zero. |
| 10010 | smvs | SLMV = 1 | Core | A previous result has overflowed 32 bits (sticky flag). |
| 10011 | smvc | SLMV ≠ 1 | Core | A previous result has not overflowed 32 bits since SLMV last cleared. |
| 10100 | oddp | EPAR ≠ 1 | Core | Most recent 40-bit BMU result has odd parity. |
| 10101 | evenp | EPAR = 1 | Core | Most recent 40-bit BMU result has even parity. |
| 10110 | jobf | JOBF = 1 | JTAG | jjob output buffer full. |
| 10111 | jibe | JIBE = 1 | JTAG | jjob input buffer empty. |
| 11000 | jcont | JCONT = 1 | JTAG | JTAG continue. |
| 11001 | lock | LOCK = 1 | CLOCK | PLL is locked. |
| 11010 | mbusy1 | MBUSY1 = 1 | MIOU1 | MIOU1 has unfinished output pending. |
| 11011 | mbusy0 | MBUSY0 = 1 | MIOU0 | MIOU0 has unfinished output pending. |
| 11100 | somef | SOMEF = 1 | BIO | Some false (some tested input bits do not match the pattern). |
| 11101 | somet | SOMET = 1 | BIO | Some true (some tested input bits match the pattern). |
| 11110 | alf | ALLF = 1 | BIO | All false (all tested input bits do not match the pattern). |
| 11111 | allt | ALLT = 1 | BIO | All true (all tested input bits match the pattern). |

[†] All peripheral (off-core) flags are accessible in the **alf** register.

[‡] Each test of **c0ge** or **c0lt** causes counter **c0** to postincrement. Each test of **c1ge** or **c1lt** causes counter **c1** to postincrement.

Software Architecture (continued)

Registers

Peripheral Register Write-Read Latency

As a consequence of the pipelined IDB, there is a write-to-read latency for peripheral (off-core) registers. This latency is automatically compensated by the DSP16000 assembler.

For all peripheral registers except MIOU registers, there is a one cycle write-to-read latency. For example:

```
timer0c=0x00aa // update timer0c
nop             // inserted by assembler
a0h=timer0c    // returns 0x00aa
```

In the above example, the **nop** instruction (or any other instruction that does not read **timer0c**) is needed to guarantee that the subsequent read of **timer0c** returns the updated value. To prevent the assembler from inserting the **nop**, the programmer can insert any instruction.

For MIOU registers, there is a two instruction cycle latency before the most recently written MIOU register (**miwp<0—1>** or **morp<0—1>**) is returned by a subsequent peripheral register read. The assembler automatically inserts one or two **nop** instructions, as needed. See the program example below:

```
morp0=0x00aa // update morp0
2*nop        // inserted by assembler
a3l=morp0    // returns 0x00aa
miwp1=a2h    // update miwp1
a2l=0x1234   // 1-cycle instruction
nop          // inserted by assembler
ar0=miwp1
```

Register Overview

DSP16210 registers fall into one of the following categories:

- Directly program-accessible (or register-mapped) registers are directly accessible in instructions and are designated with lower-case bold, e.g., **timer0**. These registers are summarized in [Figure 23 on page 87](#) and in [Table 38 starting on page 88](#).
- ESIO memory-mapped registers are designated with upper-case bold, e.g., **ICR**. These registers are summarized in [Table 39 on page 90](#).
- MIOU-accessible registers are accessible only by MIOU commands, i.e., by writing the **mcmd0** or **mcmd1** register, and are designated with upper-case bold, e.g., **IBAS0**. These registers are summarized in [Table 40 on page 90](#).
- DMA-accessible registers are SSIO or PHIF16 data registers that are accessible only via MIOU DMA in IORAM locations and are designated with upper-case bold, e.g., **PDX(in)**. These registers are summarized in [Table 41 on page 90](#).

Note: The program counter (**PC**) is an addressing register not accessible to the programmer or through external pins. The device automatically controls this register to properly sequence the instructions.

[Figure 23 on page 87](#) depicts the directly program-accessible registers of which there are three types:

Data registers store data either from the result of instruction execution or from memory. Data registers become source operands for instructions. This class of registers also includes postincrement registers whose contents are added to address registers to form new addresses.

Control and Status registers are used to determine the state of the machine or to set different configurations to control the machine.

Address registers are used to hold memory location pointers. In some cases, the user can treat address registers as general-purpose data registers accessible by data move instructions.

Software Architecture (continued)

Registers (continued)

Register Overview (continued)

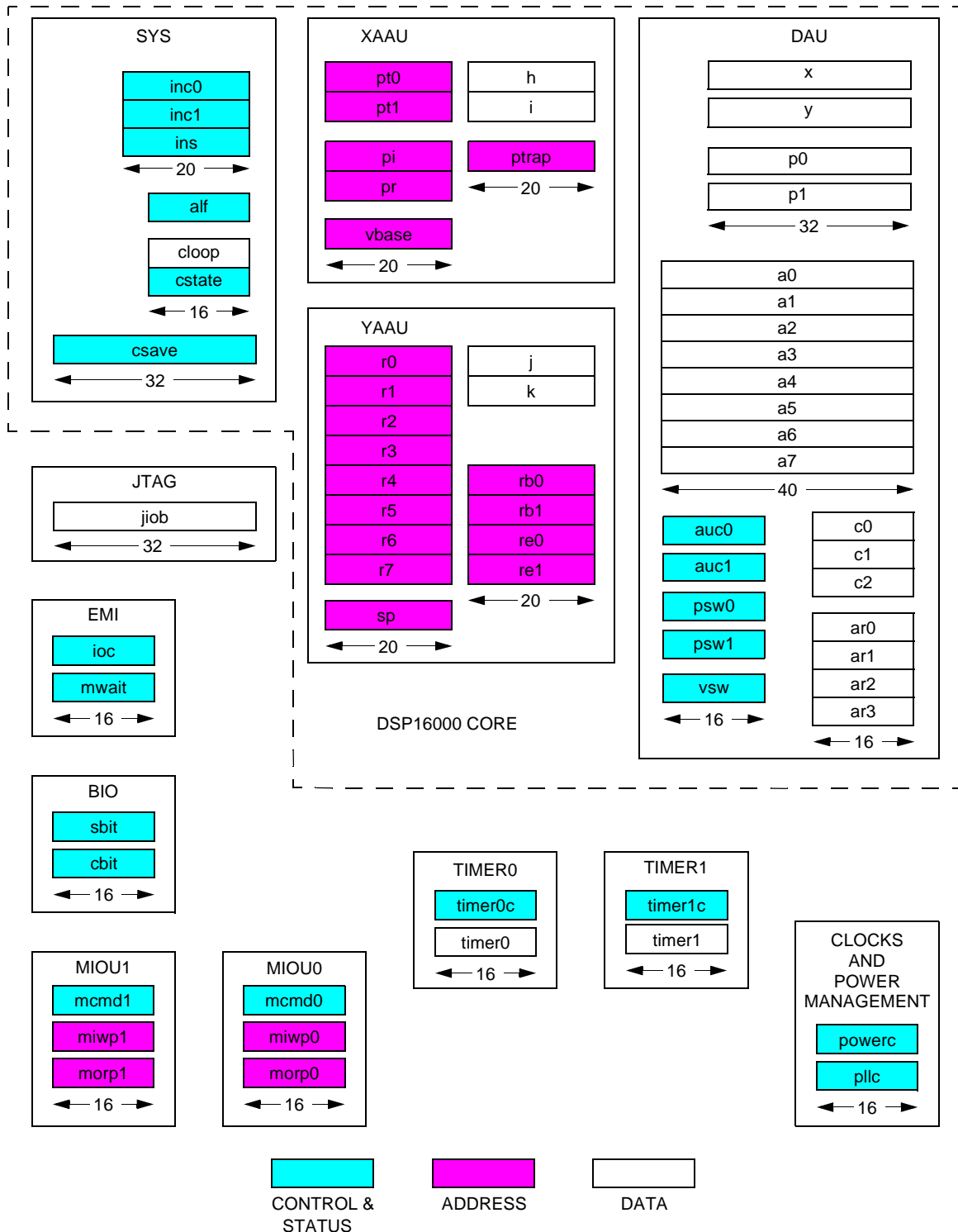


Figure 23. DSP16210 Program-Accessible Registers

Software Architecture (continued)

Registers (continued)

Register Overview (continued)

Table 38 lists all valid register designators as they appear in an instruction syntax. The table specifies a register's size, whether a register is readable or writable, a register's type, whether a register is signed or unsigned, and the hardware function block in which a register is located.

Table 38. Program-Accessible Registers by Type, Listed Alphabetically

| Register Name | Description | Size (bits) | R/W† | Type‡ | Signed§/ Unsigned | Function Block |
|---|---|-------------|------|---------|----------------------|----------------|
| a0, a1, a2, a3, a4, a5, a6, a7 | Accumulators 0—7 | 40 | R/W | data | signed | DAU |
| a0h, a1h, a2h, a3h, a4h, a5h, a6h, a7h | Accumulators 0—7, high halves (bits 31—16) | 16 | R/W | data | signed | DAU |
| a0l, a1l, a2l, a3l, a4l, a5l, a6l, a7l | Accumulators 0—7, low halves (bits 15—0) | 16 | R/W | data | signed | DAU |
| a0g, a1g, a2g, a3g, a4g, a5g, a6g, a7g | Accumulators 0—7, guard bits (bits 39—32) | 8 | R/W | data | signed | DAU |
| a0_1h, a2_3h, a4_5h, a6_7h | Accumulator vectors (concatenated high halves of two adjacent accumulators) | 32 | R/W | data | signed | DAU |
| alf | AWAIT and flags | 16 | R/W | c & s | unsigned | SYS |
| ar0, ar1, ar2, ar3 | Auxiliary registers 0—3 | 16 | R/W | data | signed | DAU |
| auc0, auc1 | Arithmetic unit control | 16 | R/W | c & s | unsigned | DAU |
| c0, c1 | Counters 0 and 1 | 16 | R/W | data | signed | DAU |
| c2 | Counter holding | 16 | R/W | data | signed | DAU |
| cbit | BIO control | 16 | R/W | control | unsigned | BIO |
| cloop | Cache loop count | 16 | R/W | data | unsigned | SYS |
| csave | Cache save | 32 | R/W | control | unsigned | SYS |
| cstate | Cache state | 16 | R/W | control | unsigned | SYS |
| h | Pointer postincrement | 20 | R/W | data | signed | XAAU |
| i | Pointer postincrement | 20 | R/W | data | signed | XAAU |
| ioc | I/O configuration | 16 | R/W | control | unsigned | EMI |
| inc0, inc1 | Interrupt control 0 and 1 | 20 | R/W | control | unsigned | SYS |
| ins | Interrupt status | 20 | R/W | status | unsigned | SYS |
| j | Pointer postincrement/offset | 20 | R/W | data | signed | YAAU |
| jhb | High byte of j (bits 15—8) | 8 | R | data | unsigned | YAAU |
| jlb | Low byte of j (bits 7—0) | 8 | R | data | unsigned | YAAU |
| jjob | JTAG test | 32 | R/W | data | unsigned | JTAG |
| k | Pointer postincrement/offset | 20 | R/W | data | signed | YAAU |
| mcmd0, mcmd1 | MIOU command registers 0 and 1 | 16 | W | control | unsigned | MIOU |
| miwp0, miwp1 | MIOU IORAM input write pointers 0 and 1 | 16 | R/W | address | unsigned | MIOU |
| morp0, morp1 | MIOU IORAM output read pointers 0 and 1 | 16 | R/W | address | unsigned | MIOU |

† R indicates that the register is readable by instructions; W indicates the register is writable by instructions.

‡ c & s means control and status.

§ Signed registers are in two's complement format.

†† Some bits in the **psw0** and **psw1** registers are read only (writes to these bits are ignored).

Software Architecture (continued)

Registers (continued)

Register Overview (continued)

Table 38. Program-Accessible Registers by Type, Listed Alphabetically (continued)

| Register Name | Description | Size (bits) | R/W† | Type‡ | Signed§/Unsigned | Function Block |
|---------------------------------------|---|-------------|-------|---------|------------------|----------------|
| mwait | EMI configuration | 16 | R/W | control | unsigned | EMI |
| p0 | Product 0 | 32 | R/W | data | signed | DAU |
| p0h | High half of p0 (bits 31—16) | 16 | R/W | data | signed | DAU |
| p0l | Low half of p0 (bits 15—0) | 16 | R/W | data | signed | DAU |
| p1 | Product 1 | 32 | R/W | data | signed | DAU |
| p1h | High half of p1 (bits 31—16) | 16 | R/W | data | signed | DAU |
| p1l | Low half of p1 (bits 15—0) | 16 | R/W | data | signed | DAU |
| pi | Program interrupt return | 20 | R/W | address | unsigned | XAAU |
| pllc | Phase-lock loop control | 16 | R/W | control | unsigned | Clocks |
| powerc | Power control | 16 | R/W | control | unsigned | Clocks |
| pr | Program return | 20 | R/W | address | unsigned | XAAU |
| psw0, psw1 | Program status words 0 and 1 | 16 | R/W†† | c & s | unsigned | DAU |
| pt0, pt1 | Pointers 0 and 1 to X-memory space | 20 | R/W | address | unsigned | XAAU |
| ptrap | Program trap return | 20 | R/W | address | unsigned | XAAU |
| r0, r1, r2, r3, r4, r5, r6, r7 | Pointers 0—7 to Y-memory space | 20 | R/W | address | unsigned | YAAU |
| rb0, rb1 | Circular buffer pointers 0 and 1 (begin address) | 20 | R/W | address | unsigned | YAAU |
| re0, re1 | Circular buffer pointers 0 and 1 (end address) | 20 | R/W | address | unsigned | YAAU |
| sbit | BIO status/control | 16 | R/W | c & s | unsigned | BIO |
| sp | Stack pointer | 20 | R/W | address | unsigned | YAAU |
| timer0, timer1 | Timer running count 0 and 1 for Timer0 and Timer1 | 16 | R/W | data | unsigned | Timer |
| timer0c, timer1c | Timer control 0 and 1 for Timer0 and Timer1 | 16 | R/W | control | unsigned | Timer |
| vbase | Vector base offset | 20 | R/W | address | unsigned | XAAU |
| vsw | Viterbi support word | 16 | R/W | control | unsigned | DAU |
| x | Multiplier input | 32 | R/W | data | signed | DAU |
| xh | High half of x (bits 31—16) | 16 | R/W | data | signed | DAU |
| xl | Low half of x (bits 15—0) | 16 | R/W | data | signed | DAU |
| y | Multiplier input | 32 | R/W | data | signed | DAU |
| yh | High half of y (bits 31—16) | 16 | R/W | data | signed | DAU |
| yl | Low half of y (bits 15—0) | 16 | R/W | data | signed | DAU |

† R indicates that the register is readable by instructions; W indicates the register is writable by instructions.

‡ c & s means control and status.

§ Signed registers are in two's complement format.

†† Some bits in the **psw0** and **psw1** registers are read only (writes to these bits are ignored).

Software Architecture (continued)

Registers (continued)

Register Overview (continued)

Table 39 lists the DSP16210 ESIO memory-mapped registers. Table 40 lists registers that are accessible only through MIOU commands. Table 41 lists registers that are DMA-accessible through IORAM.

Table 39. ESIO Memory-Mapped Registers

| Register Name | Description | Size (bits) | R/W† | Type |
|---------------|--|-------------|------|---------|
| ICR | Input control register | 16 | R/W | control |
| ICSB<0–7> | Input channel start bit registers 0 through 7 | 16 | R/W | control |
| ICSL<0–1> | Input channel sample length registers 0 and 1 | 16 | R/W | control |
| ICVV | Input channel valid vector register | 16 | R/W | control |
| IDMX<0–15> | Input demultiplexer registers 0 through 15 | 16 | R | data |
| OCR | Output control register | 16 | R/W | control |
| OCSB<0–7> | Output channel start bit registers 0 through 7 | 16 | R/W | control |
| OCSL<0–1> | Output channel sample length registers 0 and 1 | 16 | R/W | control |
| OCVV | Output channel valid vector register | 16 | R/W | control |
| OMX<0–15> | Output multiplexer registers 0 through 15 | 16 | W | data |

† R indicates that the register is indirectly readable by instructions; W indicates the register is indirectly writable by instructions.

Table 40. MIOU-Accessible Registers

| Register Name | Description | Size (bits) | R/W† | Type | Signed‡/Unsigned |
|---------------|--|-------------|------|---------|------------------|
| IBAS<0–1> | MIOU<0–1> input base address registers | 10 | W | control | unsigned |
| ILEN<0–1> | MIOU<0–1> input length registers | 12 | W | control | signed |
| ILIM<0–1> | MIOU<0–1> input limit address registers | 10 | W | control | unsigned |
| OBAS<0–1> | MIOU<0–1> output base address registers | 10 | W | control | unsigned |
| OLEN<0–1> | MIOU<0–1> output length registers | 11 | W | control | unsigned |
| OLIM<0–1> | MIOU<0–1> output limit address registers | 10 | W | control | unsigned |
| PHIFC | PHIF16 control register | 12 | W | control | unsigned |
| SSIOC | SSIO control register | 12 | W | control | unsigned |

† R indicates that the register is readable by MIOU commands; W indicates the register is writable by MIOU commands.

‡ Signed registers are in two's complement format.

Table 41. DMA-Accessible Registers

| Register Name | Description | Accessible Via | Size (bits) | R/W† | Type | Signed/Unsigned |
|---------------|------------------------|----------------|-------------|------|------|-----------------|
| PDX(in) | PHIF16 input register | IORAM0/MIOU0 | 16 | R | data | unsigned |
| PDX(out) | PHIF16 output register | IORAM0/MIOU0 | 16 | W | data | unsigned |
| SSDX(in) | SSIO input register | IORAM1/MIOU1 | 16 | R | data | unsigned |
| SSDX(out) | SSIO output register | IORAM1/MIOU1 | 16 | W | data | unsigned |

† R indicates that the register is readable by DMA; W indicates the register is writable by DMA.

Software Architecture (continued)

Registers (continued)

Register Settings

Tables 42 through 73 describe the programmable registers of the DSP16210 device.

Table 42. **alf** Register

| 15 | 14—10 | 9 | 8 | 7 | 6 | 5 | 4 | 3 | 2 | 1 | 0 |
|-------|---------------------|----------------------------------|-------------|---|------|--------|--------|-------|-------|------|------|
| AWAIT | Reserved | JOBF | JIBE | JCONT | LOCK | MBUSY1 | MBUSY0 | SOMEF | SOMET | ALLF | ALLT |
| Bit | Field | Value | Description | | | | | | | | |
| 15 | AWAIT [†] | Await | 0 | The core is not in low-power standby mode. | | | | | | | |
| | | | 1 | Enter low-power standby mode. | | | | | | | |
| 14—10 | Reserved | — | 0 | Reserved—write with zero. | | | | | | | |
| 9 | JOBF | JTAG Output Buffer Full | 0 | JTAG jio output buffer is empty. | | | | | | | |
| | | | 1 | JTAG jio output buffer is full. | | | | | | | |
| 8 | JIBE | JTAG Input Buffer Empty | 0 | JTAG jio input buffer is full. | | | | | | | |
| | | | 1 | JTAG jio input buffer is empty. | | | | | | | |
| 7 | JCONT | JTAG Continue | — | JTAG continue flag. | | | | | | | |
| 6 | LOCK [‡] | PLL Lock | 0 | PLL is not phase-locked. | | | | | | | |
| | | | 1 | PLL is phase-locked. | | | | | | | |
| 5 | MBUSY1 [§] | MIOU1 Busy | 0 | MIOU1 output is complete. | | | | | | | |
| | | | 1 | MIOU1 unfinished output is pending. | | | | | | | |
| 4 | MBUSY0 [§] | MIOU0 Busy | 0 | MIOU0 output is complete. | | | | | | | |
| | | | 1 | MIOU0 unfinished output is pending. | | | | | | | |
| 3 | SOMEF | BIO Some False (Inverse of ALLT) | 0 | All tested BIO input pins match the test pattern in cbit [7:0], no BIO input pins are tested, or all BIO pins are configured as outputs. | | | | | | | |
| | | | 1 | Some tested BIO inputs pins do not match the test pattern in cbit [7:0], i.e., no tested BIO pins match the pattern or some (but not all) tested BIO pins match the pattern. | | | | | | | |
| 2 | SOMET | BIO Some True (Inverse of ALLF) | 0 | No tested BIO input pins match the test pattern in cbit [7:0], no BIO input pins are tested, or all BIO pins are configured as outputs. | | | | | | | |
| | | | 1 | Some or all tested BIO input pins match the test pattern in cbit [7:0]. | | | | | | | |
| 1 | ALLF | BIO All False (Inverse of SOMET) | 0 | Some or all tested BIO input pins match the test pattern in cbit [7:0]. | | | | | | | |
| | | | 1 | No tested BIO input pins match the test pattern in cbit [7:0], no BIO input pins are tested, or all BIO pins are configured as outputs. | | | | | | | |
| 0 | ALLT | BIO All True (Inverse of SOMEF) | 0 | Some tested BIO inputs pins do not match the test pattern in cbit [7:0], i.e., no tested BIO pins match the pattern or some (but not all) tested BIO pins match the pattern. | | | | | | | |
| | | | 1 | All tested BIO input pins match the test pattern in cbit [7:0], no BIO input pins are tested, or all BIO pins are configured as outputs. | | | | | | | |

[†] The AWAIT bit is the only bit in **alf** that is cleared on reset.

[‡] LOCK is cleared whenever the **pllc** register is written.

[§] The MBUSY1 and MBUSY0 flags are read only (writes to these flags are ignored).

Software Architecture (continued)

Registers (continued)

Register Settings (continued)

Table 43. auc0 (Arithmetic Unit Control 0) Register

| 15—14 | 13—11 | 10 | 9 | 8 | 7 | 6 | 5—4 | 3—2 | 1—0 |
|-------------|-------------|-------|--|------|------|------|-----------|-----------|-------------|
| P1SHFT[1:0] | Reserved | FSAT | SHFT15 | RAND | X=Y= | YCLR | ACLR[1:0] | ASAT[1:0] | P0SHFT[1:0] |
| Bit | Field | Value | Description | | | | | | |
| 15—14 | P1SHFT[1:0] | 00 | p1 not shifted. | | | | | | |
| | | 01 | p1 >>2. | | | | | | |
| | | 10 | p1 <<2. | | | | | | |
| | | 11 | p1 <<1. | | | | | | |
| 13—11 | Reserved | — | Reserved—write with zero. | | | | | | |
| 10 | FSAT | 0 | Disabled when zero. | | | | | | |
| | | 1 | Enable 32-bit saturation for the following results: the scaled outputs of the p0 and p1 registers, the intermediate result of the 3-input ADDER [†] , and the results of the ALU/ACS, ADDER/ACS, and BMU. | | | | | | |
| 9 | SHFT15 | 0 | p1 >>15 in F1E operations performs normally. | | | | | | |
| | | 1 | To support GSM-EFR, p1 >>15 in F1E operations actually performs (p1 >>16) <<1 clearing the least significant bit. | | | | | | |
| 8 | RAND | 0 | Enable pseudorandom sequence generator (PSG) [‡] . | | | | | | |
| | | 1 | Reset and disable pseudorandom sequence generator (PSG). | | | | | | |
| 7 | X=Y= | 0 | Normal operation. | | | | | | |
| | | 1 | Data transfer statements that load the y register also load the x register with the same value [§] . | | | | | | |
| 6 | YCLR | 0 | The DAU clears yl if it loads yh . | | | | | | |
| | | 1 | The DAU leaves yl unchanged if it loads yh . | | | | | | |
| 5 | ACLR[1] | 0 | The DAU clears a1l if it loads a1h . | | | | | | |
| | | 1 | The DAU leaves a1l unchanged if it loads a1h . | | | | | | |
| 4 | ACLR[0] | 0 | The DAU clears a0l if it loads a0h . | | | | | | |
| | | 1 | The DAU leaves a0l unchanged if it loads a0h . | | | | | | |
| 3 | ASAT[1] | 0 | Enable a1 saturation ^{††} on 32-bit overflow. | | | | | | |
| | | 1 | Disable a1 saturation on 32-bit overflow. | | | | | | |
| 2 | ASAT[0] | 0 | Enable a0 saturation ^{††} on 32-bit overflow. | | | | | | |
| | | 1 | Disable a0 saturation on 32-bit overflow. | | | | | | |
| 1—0 | P0SHFT[1:0] | 00 | p0 not shifted. | | | | | | |
| | | 01 | p0 >>2. | | | | | | |
| | | 10 | p0 <<2. | | | | | | |
| | | 11 | p0 <<1. | | | | | | |

† Saturation takes effect only if the ADDER has three input operands and there is no ALU/ACS operation in the same instruction.

‡ After re-enabling the PSG by clearing RAND, the program must wait one instruction cycle before testing the heads or tails condition.

§ The following apply:

- Instructions that explicitly load any part of the **x** register (i.e., **x**, **xh**, or **xl**) take precedence over the X=Y= mode.
- Instructions that load **yh** (but not **x** or **xh**) load **xh** with the same data. If YCLR is zero, the DAU clears **yl** and **xl**.
- Instructions that load **yl** load **xl** with the same data and leave **yh** and **xh** unchanged.

†† If enabled, 32-bit saturation of the accumulator value occurs if the DAU stores the value to memory or to a register. Saturation also applies if the DAU stores the low half, high half, or guard bits of the accumulator. There is no change to the contents stored in the accumulator; only the value stored to memory or a register is saturated.

Software Architecture (continued)

Registers (continued)

Register Settings (continued)

Table 44. auc1 (Arithmetic Unit Control 1) Register

| 15 | 14—12 | 11—6 | 5—0 |
|----------|-------------------------|-----------|--|
| Reserved | XYFBK[2:0] | ACLR[7:2] | ASAT[7:2] |
| Bit | Field | Value | Description |
| 15 | Reserved | — | Reserved—write with zero. |
| 14—12 | XYFBK[2:0] [†] | 000 | Normal operation. |
| | | 001 | Any DAU function result stored into a6 [31:0] is also stored into x . [‡] |
| | | 010 | Any DAU function result stored into a6 [31:16] is also stored into xh . [‡] |
| | | 011 | Any DAU function result stored into a6 [31:16] is also stored into xh and any DAU function result stored into a7 [31:16] is also stored into xl . [‡] |
| | | 100 | Reserved. |
| | | 101 | Any DAU function result stored into a6 [31:0] is also stored into y . [§] |
| | | 110 | Any DAU function result stored into a6 [31:16] is also stored into yh . ^{§††} |
| | | 111 | Any DAU function result stored into a6 [31:16] is also stored into yh and any DAU function result stored into a7 [31:16] is also stored into yl . ^{§††} |
| 11 | ACLR[7] | 0 | The DAU clears a7l if it loads a7h . |
| | | 1 | The DAU leaves a7l unchanged if it loads a7h . |
| 10 | ACLR[6] | 0 | The DAU clears a6l if it loads a6h . |
| | | 1 | The DAU leaves a6l unchanged if it loads a6h . |
| 9 | ACLR[5] | 0 | The DAU clears a5l if it loads a5h . |
| | | 1 | The DAU leaves a5l unchanged if it loads a5h . |
| 8 | ACLR[4] | 0 | The DAU clears a4l if it loads a4h . |
| | | 1 | The DAU leaves a4l unchanged if it loads a4h . |
| 7 | ACLR[3] | 0 | The DAU clears a3l if it loads a3h . |
| | | 1 | The DAU leaves a3l unchanged if it loads a3h . |
| 6 | ACLR[2] | 0 | The DAU clears a2l if it loads a2h . |
| | | 1 | The DAU leaves a2l unchanged if it loads a2h . |
| 5 | ASAT[7] | 0 | Enable a7 saturation ^{§§} on 32-bit overflow. |
| | | 1 | Disable a7 saturation on 32-bit overflow. |
| 4 | ASAT[6] | 0 | Enable a6 saturation ^{§§} on 32-bit overflow. |
| | | 1 | Disable a6 saturation on 32-bit overflow. |
| 3 | ASAT[5] | 0 | Enable a5 saturation ^{§§} on 32-bit overflow. |
| | | 1 | Disable a5 saturation on 32-bit overflow. |
| 2 | ASAT[4] | 0 | Enable a4 saturation ^{§§} on 32-bit overflow. |
| | | 1 | Disable a4 saturation on 32-bit overflow. |
| 1 | ASAT[3] | 0 | Enable a3 saturation ^{§§} on 32-bit overflow. |
| | | 1 | Disable a3 saturation on 32-bit overflow. |
| 0 | ASAT[2] | 0 | Enable a2 saturation ^{§§} on 32-bit overflow. |
| | | 1 | Disable a2 saturation on 32-bit overflow. |

† If the application enables any of the XYFBK modes, i.e., XYFBK[2:0]≠000, the following apply:

- Only if the DAU writes its result to **a6** or **a7** (e.g., **a6=a3+p0**) will the result be written to **x** or **y**. Data transfers or data move operations (e.g., **a6=*r2**) leave the **x** or **y** register unchanged regardless of the state of the XYFBK[2:0] field setting.
- If the instruction itself loads the same portion of the **x** or **y** register that the XYFBK[2:0] field specifies, the instruction load takes precedence.

‡ If the application enables the X=Y= mode (**auc0**[7]=1), the XYFBK mode takes precedence.

§ If the application enables the X=Y= mode (**auc0**[7]=1), the DAU also writes the **y** register value into the **x**, **xh**, or **xl** register as appropriate.

†† If the application enables the YCLR mode (**auc0**[6]=0), the DAU clears **yl**.

‡‡ If the application enables the YCLR mode (**auc0**[6]=0) and the instruction contains a result written to **a6** and the operation writes no result to **a7**, the DAU clears **yl**. If the application enables the YCLR mode and the instruction writes a result to **a7**, the XYFBK mode takes precedence and the DAU does not clear **yl**.

§§ If saturation is enabled and any portion of an accumulator is stored to memory or a register, the DAU saturates the entire accumulator value and stores the appropriate portion. The DAU does not change the contents of the accumulator.

Software Architecture (continued)

Registers (continued)

Register Settings (continued)

Table 45. cbit (BIO Control) Register

| 15—8 | | 7—0 | |
|-----------------------|---------------------------|--------------------------|-----------------------|
| MODE/MASK[7:0] | | DATA/PAT[7:0] | |
| DIREC[n] [†] | MODE/MASK[n] [†] | DATA/PAT[n] [†] | Action |
| 1 (Output) | 0 | 0 | Clear |
| 1 (Output) | 0 | 1 | Set |
| 1 (Output) | 1 | 0 | No Change to register |
| 1 (Output) | 1 | 1 | Toggle |
| 0 (Input) | 0 | 0 | No Test |
| 0 (Input) | 0 | 1 | No Test |
| 0 (Input) | 1 | 0 | Test for Zero |
| 0 (Input) | 1 | 1 | Test for One |

† 0 ≤ n ≤ 7. DIREC[n] is a field in the sbit register.

Table 46. cstate (Cache State) Register

| 15 | 14 | 13 | 12—10 | 9—5 | 4—0 |
|-------|----------|--------------------|--|----------|--------|
| SU | EX | LD | Reserved | PTR[4:0] | N[4:0] |
| Bit | Field | Value | Description | | |
| 15 | SU | 0 | Normal operation—core not in interrupt/trap handler. | | |
| | | 1 | Core suspends cache operation for interrupt or trap. | | |
| 14 | EX | 0 | Core currently loading cache or not in cache loop. | | |
| | | 1 | Core currently executing from within the cache (iteration 2 and up). | | |
| 13 | LD | 0 | Core currently executing from within the cache or not in cache loop. | | |
| | | 1 | Core currently loading cache (iteration 1). | | |
| 12—10 | Reserved | — | Reserved—write with zero. | | |
| 9—5 | PTR[4:0] | 0—30 | Pointer to current instruction in cache to load or execute. | | |
| 4—0 | N[4:0] | 0 [†] —31 | Number of instructions in the cache loop to load/save/restore. | | |

† N[4:0] is cleared on reset. After execution of the first **do K** or **do loop** instruction, N[4:0] contains a nonzero value.

Software Architecture (continued)

Registers (continued)

Register Settings (continued)

Table 47. ICR (ESIO Input Control) Register

Note: This register is not directly program-accessible (memory-mapped to address 0xE001A).

| 15—12 | 11—10 | 9 | 8 | 7 | 6 | 5 | 4 | 3 | 2 | 1—0 |
|-------|----------------------------------|--------|---|-------|-------|-------|--------|------|-----|-----------|
| Res | IFRMSZ[1:0] | ITMODE | IMODE | ISIZE | ISDLY | ISLEV | IRESET | ILEV | ICA | IFIR[1:0] |
| Bit | Field | Value | Description | | | | | | | |
| 15—12 | Res | — | Reserved—write with zero. | | | | | | | |
| 11—10 | IFRMSZ[1:0] (frame mode only) | 00 | 256-bit frame size (default). | | | | | | | |
| | | 01 | 192-bit frame size. | | | | | | | |
| | | 10 | 128-bit frame size. | | | | | | | |
| | | 11 | 64-bit frame size. | | | | | | | |
| 9 | ITMODE (frame mode only) | 0 | No override of ICSL \langle 0—1 \rangle register transfer rate control. | | | | | | | |
| | | 1 | Override ICSL \langle 0—1 \rangle register transfer rate control by transferring all channel input shift registers to the associated IDMX \langle 0—15 \rangle registers at the IFIR frequency. | | | | | | | |
| 8 | IMODE | 0 | Select frame mode. | | | | | | | |
| | | 1 | Select simple mode. | | | | | | | |
| 7 | ISIZE | 0 | 16-bit mode: IDMX \langle 0—15 \rangle registers start shift-in at bit 15. | | | | | | | |
| | | 1 | 8-bit mode: IDMX \langle 0—15 \rangle registers start shift-in at bit 7. | | | | | | | |
| 6 | ISDLY | 0 | No action. | | | | | | | |
| | | 1 | Synchronize internal input frame sync (IFS) with the ESIO input bit clock (EIBC) pin. | | | | | | | |
| 5 | ISLEV | 0 | Do not invert the ESIO input frame sync (EIFS) pin to produce the internal input frame sync (IFS) signal. | | | | | | | |
| | | 1 | Invert the EIFS pin to produce the internal IFS signal. | | | | | | | |
| 4 | IRESET | 0 | No action. This bit always reads as zero. | | | | | | | |
| | | 1 | Reset the ESIO input section—the ESIO automatically clears this bit one CLK cycle after performing the reset. | | | | | | | |
| 3 | ILEV | 0 | Do not invert the ESIO input bit clock (EIBC) pin to produce the internal input bit clock (IBC) signal. | | | | | | | |
| | | 1 | Invert the EIBC pin to produce the internal IBC signal. | | | | | | | |
| 2 | ICA | 0 | Disable ESIO input section—no input processing. | | | | | | | |
| | | 1 | Enable ESIO input section—input processing. | | | | | | | |
| 1—0 | IFIR[1:0] (frame mode only) | 00 | Input frame interrupt rate is every two complete input frames. | | | | | | | |
| | | 01 | Input frame interrupt rate is every four complete input frames. | | | | | | | |
| | | 10 | Input frame interrupt rate is every eight complete input frames. | | | | | | | |
| | | 11 | Input frame interrupt rate is every sixteen complete input frames. | | | | | | | |

Software Architecture (continued)

Registers (continued)

Register Settings (continued)

Table 48. ICSB<0—7> (ESIO Input Channel Start Bit) Registers

Note: These registers are not directly program-accessible (memory-mapped to addresses 0xE0010—0xE0017).

| | 15—8 | 7—0 |
|-------|------------|------------|
| ICSB0 | Channel 1 | Channel 0 |
| ICSB1 | Channel 3 | Channel 2 |
| ICSB2 | Channel 5 | Channel 4 |
| ICSB3 | Channel 7 | Channel 6 |
| ICSB4 | Channel 9 | Channel 8 |
| ICSB5 | Channel 11 | Channel 10 |
| ICSB6 | Channel 13 | Channel 12 |
| ICSB7 | Channel 15 | Channel 14 |

| Field | Value | Description |
|-------------------------|--------------|---|
| Channel 0 to Channel 15 | 0x00 to 0xFF | Start bit position for corresponding logical input channel. Ranges from 0 to 255. |

Table 49. ICSL<0—1> (ESIO Input Channel Sample Length) Registers

Note: These registers are used only in frame mode (ICR[IMODE] = 0) and are not directly program-accessible (memory-mapped to addresses 0xE0018—0xE0019).

| | 15—14 | 13—12 | 11—10 | 9—8 | 7—6 | 5—4 | 3—2 | 1—0 |
|-------|------------|------------|------------|------------|------------|------------|-----------|-----------|
| ICSL0 | Channel 7 | Channel 6 | Channel 5 | Channel 4 | Channel 3 | Channel 2 | Channel 1 | Channel 0 |
| ICSL1 | Channel 15 | Channel 14 | Channel 13 | Channel 12 | Channel 11 | Channel 10 | Channel 9 | Channel 8 |

| Field | Value | Description |
|-------------------------|-------|---|
| Channel 0 to Channel 15 | 00 | Input sample length is 1 bit (serial-to-parallel transfer rate is every 16 frames). |
| | 01 | Input sample length is 2 bits (serial-to-parallel transfer rate is every 8 frames). |
| | 10 | Input sample length is 4 bits (serial-to-parallel transfer rate is every 4 frames). |
| | 11 | Input sample length is 8 bits (serial-to-parallel transfer rate is every 2 frames). |

Table 50. ICVV (ESIO Input Channel Valid Vector) Register

Note: This register is not directly program-accessible (memory-mapped to address 0xE001B). For simple mode, enable only logical channel 0, i.e., set ICVV to 0x0001. For frame mode, the bits in ICVV must be packed, i.e., channels must be allocated from 0 to 15 with no holes between valid channels. For example, if ICVV contains 0x00FF, then logical channels 0—7 are enabled and demultiplexed. A value of 0x08FF for ICVV is invalid because the channels are not packed.

| 15 | 14 | 13 | 12 | 11 | 10 | 9 | 8 |
|------------|------------|------------|------------|------------|------------|-----------|-----------|
| Channel 15 | Channel 14 | Channel 13 | Channel 12 | Channel 11 | Channel 10 | Channel 9 | Channel 8 |
| 7 | 6 | 5 | 4 | 3 | 2 | 1 | 0 |
| Channel 7 | Channel 6 | Channel 5 | Channel 4 | Channel 3 | Channel 2 | Channel 1 | Channel 0 |

| Field | Value | Description |
|-------------------------|-------|---|
| Channel 0 to Channel 15 | 0 | Disable the corresponding logical input channel, i.e., do not demultiplex the input data stream for this logical channel. |
| | 1 | Enable the corresponding logical input channel, i.e., demultiplex the input data stream for this logical channel. |

Software Architecture (continued)

Registers (continued)

Register Settings (continued)

Table 51. ID (JTAG Identification) Register

Note: This register is not directly program-accessible. It is accessible via the JTAG port.

| 31—28 | | 27—19 | | 18—12 | | 11—0 | |
|----------------|----------------|---------|------------------------|---------|--|-----------|--|
| DEVICE OPTIONS | | ROMCODE | | PART ID | | LUCENT ID | |
| Bit | Field | Value | Features | | | | |
| 31—28 | DEVICE OPTIONS | 0x3 | Device options. | | | | |
| 27—19 | ROMCODE | 0x190 | ROMCODE of device. | | | | |
| 18—12 | PART ID | 0x10 | DSP16210. | | | | |
| 11—0 | LUCENT ID | 0x03B | Lucent identification. | | | | |

Table 52. inc<0—1> (Interrupt Control) Registers

| 19—18 | | 17—16 | | 15—14 | | 13—12 | | 11—10 | |
|-------|--------------------------|------------|------------|------------|------------|-------|--|-----------|--|
| inc0 | TIME0[1:0] | INT3[1:0] | INT2[1:0] | INT1[1:0] | INT0[1:0] | | | | |
| inc1 | Reserved—write with zero | | | | | | | EOBE[1:0] | |
| 9—8 | | 7—6 | | 5—4 | | 3—2 | | 1—0 | |
| inc0 | MOBE1[1:0] | MIBF1[1:0] | MOBE0[1:0] | MIBF0[1:0] | Reserved | | | | |
| inc1 | EIBF[1:0] | ECOL[1:0] | EOFE[1:0] | EIFE[1:0] | TIME1[1:0] | | | | |

| Field† | Value | Description |
|---|-------|--|
| TIME0[1:0] INT3[1:0] INT2[1:0] INT1[1:0] INT0[1:0] | 00 | Disable the selected interrupt (no priority). |
| MOBE1[1:0] MIBF1[1:0] MOBE0[1:0] MIBF0[1:0] EOBE[1:0] EIBF[1:0] ECOL[1:0] | 01 | Enable the selected interrupt at priority 1 (lowest). |
| EOFE[1:0] EIFE[1:0] TIME1[1:0] | 10 | Enable the selected interrupt at priority 2. |
| | 11 | Enable the selected interrupt at priority 3 (highest). |

† Reset clears all fields to disable all interrupts.

Software Architecture (continued)

Registers (continued)

Register Settings (continued)

Table 53. *ins* (Interrupt Status) Register

Note: An instruction clears an interrupt and resets its source to the not pending state by writing a one to the corresponding bit in the *ins* register. Writing a zero to any bit leaves the bit unchanged.

| 19—16 | | | 15 | 14 | 13 | 12 | 11 | 10 | |
|----------|--|-------|---|------|-------|-------|-------|-------|----------|
| Reserved | | | EOBE | EIBF | ECOL | EOFE | EIFE | TIME1 | |
| 9 | 8 | 7 | 6 | 5 | 4 | 3 | 2 | 1 | 0 |
| TIME0 | INT3 | INT2 | INT1 | INT0 | MOBE1 | MIBF1 | MOBE0 | MIBF0 | Reserved |
| Bit | Field [†] | Value | Description | | | | | | |
| 19—16 | Reserved | — | Reserved—write with zero. | | | | | | |
| 15—0 | EOBE EIBF ECOL EOFE EIFE TIME1 TIME0 | 0 | Read—corresponding interrupt not pending. Write—no effect. | | | | | | |
| | INT3 INT2 INT1 INT0 MOBE1 MIBF1 MOBE0 MIBF0 | 1 | Read—corresponding interrupt is pending. Write—clears bit and changes corresponding interrupt status to not pending [‡] . | | | | | | |

[†] The core clears an interrupt's *ins* bit if it services that interrupt. For interrupt polling, an instruction can explicitly clear an interrupt's *ins* bit by writing a 1 to that bit and a 0 to all other *ins* bits. Writing a 0 to any *ins* bit leaves the bit unchanged.

[‡] To clear an interrupt's status, an application writes a 1 to the corresponding bit.

Software Architecture (continued)

Registers (continued)

Register Settings (continued)

Table 54. *ioc* (I/O Configuration) Register

| 15—11 | | 10 | 9 | 8 | 7—5 | 4 | 3 | 2 | 1 | 0 |
|----------|---|-------|--|------|-------------|-------|--------|-------|-------|-------|
| Reserved | | WDDL | SIOLB | EBIO | CKOSEL[2:0] | WEROM | RWNADV | DENB2 | DENB1 | DENB0 |
| Bit | Field | Value | Description | | | | | | | |
| 15—11 | Reserved | — | Reserved—write with zero. | | | | | | | |
| 10 | WDDL (Write Data Delay) | 0 | Drive write data onto DB[15:0] approximately one half-cycle of CKO [†] after RWN goes low. | | | | | | | |
| | | 1 | Drive write data onto DB[15:0] approximately one cycle of CKO [†] after RWN goes low. | | | | | | | |
| 9 | SIOLB (SIO Loopback) | 0 | SSIO: Deselect loopback. | | | | | | | |
| | | 1 | SSIO: Select loopback, i.e., loop back DO to DI. | | | | | | | |
| 8 | EBIO (Enable BIO) | 0 | Pin Multiplexing: Select VEC[3:0] for the VEC[3:0]/IOBIT[7:4] [‡] pins. | | | | | | | |
| | | 1 | Pin Multiplexing: Select the high half of BIO, IOBIT[7:4], for the VEC[3:0]/IOBIT[7:4] [‡] pins. | | | | | | | |
| 7—5 | CKOSEL[2:0] (Selection Control for CKO output pin) | 000 | CLK: Internal free-running clock. | | | | | | | |
| | | 001 | CLKE: Internal free-running clock suspended (held high) during low-power standby mode (AWAIT bit of <i>alf</i> register is set). | | | | | | | |
| | | 010 | ZERO: Held low. | | | | | | | |
| | | 011 | Reserved. | | | | | | | |
| | | 100 | CKI: Output of CKI clock input buffer. | | | | | | | |
| | | 101 | ZERO: Held low. | | | | | | | |
| | | 110 | ONE: Held high. | | | | | | | |
| | | 111 | ONE: Held high. | | | | | | | |
| 4 | WEROM (Write EROM) | 0 | Selects YMAP0. This allows for external ERAMHI and ERAMLO requests. | | | | | | | |
| | | 1 | Selects YMAP1. Forces all ERAM requests to access EROM instead. If WEROM is set, the DENB1 field (<i>ioc</i> bit 1) and the RDYEN1 and YATIM[3:0] fields (<i>mwait</i> bits 13 and 7—4) control Y-side accesses to EROM. | | | | | | | |
| 3 | RWNADV (RWN Pin Advance) | 0 | Delay leading edge of RWN. | | | | | | | |
| | | 1 | Do not delay RWN. | | | | | | | |
| 2 | DENB2 (Delay Enable) | 0 | Do not delay IO enable. | | | | | | | |
| | | 1 | Delay leading edge of IO enable by one half-cycle of CKO [†] . | | | | | | | |
| 1 | DENB1 (Delay Enable) | 0 | Do not delay ERAM, ERAMHI, and ERAMLO enables. | | | | | | | |
| | | 1 | Delay leading edge of ERAM, ERAMHI, and ERAMLO enables by one half-cycle of CKO [†] . | | | | | | | |
| 0 | DENB0 (Delay Enable) | 0 | Do not delay EROM enable. | | | | | | | |
| | | 1 | Delay leading edge of EROM enable by one half-cycle of CKO [†] . | | | | | | | |

[†] Assuming that the CKO pin is programmed as the internal clock CLK, i.e., CKOSEL[2:0] = 000.

[‡] VEC0 corresponds to IOBIT7, VEC1 corresponds to IOBIT6, VEC2 corresponds to IOBIT5, and VEC3 corresponds to IOBIT4.

Software Architecture (continued)

Registers (continued)

Register Settings (continued)

Table 55. $mcmd\langle 0-1 \rangle$ (MIOU $\langle 0-1 \rangle$ Command) Registers

| 15—12 | | 11—0 | | | |
|-------------|--|------------------|---|---------------------------------------|--|
| Opcode[3:0] | | Parameter[11:0] | | | |
| Opcode[3:0] | Parameter[11:0] | | Command | Command Mnemonic | Action |
| 0x0 | 10-bit IORAM input buffer base address. | $0xNNN^\dagger$ | Load IBAS $\langle 0,1 \rangle$ | IBAS $\langle 0,1 \rangle_LD$ | IBAS $\langle 0,1 \rangle \leftarrow 0xNNN$ |
| 0x1 | 10-bit IORAM input buffer limit address. | $0xNNN^\dagger$ | Load ILIM $\langle 0,1 \rangle$ | ILIM $\langle 0,1 \rangle_LD$ | ILIM $\langle 0,1 \rangle \leftarrow 0xNNN$ |
| 0x2 | 10-bit IORAM output buffer base address. | $0xNNN^\dagger$ | Load OBAS $\langle 0,1 \rangle$ | OBAS $\langle 0,1 \rangle_LD$ | OBAS $\langle 0,1 \rangle \leftarrow 0xNNN$ |
| 0x3 | 10-bit IORAM output buffer limit address. | $0xNNN^\dagger$ | Load OLIM $\langle 0,1 \rangle$ | OLIM $\langle 0,1 \rangle_LD$ | OLIM $\langle 0,1 \rangle \leftarrow 0xNNN$ |
| 0x4 | 11-bit unsigned input length update amount. | $0xNNN^\ddagger$ | Update ILEN $\langle 0,1 \rangle$ | ILEN $\langle 0,1 \rangle_UP$ | ILEN $\langle 0,1 \rangle \leftarrow \mathbf{ILEN}\langle 0,1 \rangle + 0xNNN$ Activate [§] peripheral service in MIOU $\langle 0,1 \rangle$. |
| 0x5 | 11-bit unsigned output length update amount. | $0xNNN^\ddagger$ | Update OLEN $\langle 0,1 \rangle$ | OLEN $\langle 0,1 \rangle_UP$ | OLEN $\langle 0,1 \rangle \leftarrow \mathbf{OLEN}\langle 0,1 \rangle + 0xNNN$ |
| 0x6 | Must be zero. | 0x000 | Reset MIOU $\langle 0,1 \rangle$ | RESET $\langle 0,1 \rangle$ | Initialize MIOU $\langle 0,1 \rangle$ control state and deactivate ^{††} MIOU $\langle 0,1 \rangle$ peripheral service. See Table 19 for the effect of reset on MIOU $\langle 0,1 \rangle$ interrupts and registers. |
| 0x7 | 12-bit value for peripheral control register (PHIFC or SSIOC ^{††}). | $0xNNN$ | Load Peripheral Control | PCTL $\langle 0,1 \rangle_LD$ | PHIFC $\leftarrow 0xNNN$ (for MIOU0) or SSIOC $\leftarrow 0xNNN$ (for MIOU1) |
| 0x8 | Must be zero. | 0x000 | Input Disable | INPT $\langle 0,1 \rangle_DS$ | Disable MIOU $\langle 0,1 \rangle$ input processing. (Input processing is re-enabled by executing a subsequent ILEN $\langle 0,1 \rangle_UP$ command.) |
| 0x9—0xF | Reserved. | | | | |

† $0xNNN$ is a 12-bit number for which the ten least significant bits (bits [9:0]) are an IORAM $\langle 0,1 \rangle$ address and the two most significant bits (bits [11:10]) must be 0.

‡ $0xNNN$ is a 12-bit unsigned number for which the most significant bit (bit 11) must be 0.

§ Or reactivate peripheral service in MIOU $\langle 0,1 \rangle$ if it has been deactivated by a prior **RESET** $\langle 0,1 \rangle$ command.

†† Subsequent execution of an **ILEN** $\langle 0,1 \rangle_UP$ command reactivates MIOU $\langle 0,1 \rangle$ peripheral service.

‡‡ See Table 63 on page 104 and Table 70 on page 110.

Table 56. $miwp\langle 0-1 \rangle$ (MIOU $\langle 0-1 \rangle$ IORAM Input Write Pointer) Registers

| 15—10 | 9—0 |
|--------------------------|-----------------------|
| Reserved—write with zero | Write Pointer Address |

Software Architecture (continued)

Registers (continued)

Register Settings (continued)

Table 57. morp<0—1> (MIOU<0—1> IORAM Output Read Pointer) Registers

| | |
|--------------------------|----------------------|
| 15—10 | 9—0 |
| Reserved—write with zero | Read Pointer Address |

Table 58. mwait (EMI Configuration) Register

| 15 | 14—12 | 11—8 | 7—4 | 3—0 |
|----------|-------------------------|------------|---|------------|
| Reserved | RDYEN[2:0] | IATIM[3:0] | YATIM[3:0] | XATIM[3:0] |
| Bit | Field | Value | Description | |
| 15 | Reserved | — | Reserved—write with zero. | |
| 14 | RDYEN2 [†] | 0 | Ignore READY pin for EMI accesses to IO space. | |
| | | 1 | Permit READY pin to extend IO space accesses. | |
| 13 | RDYEN1 [†] | 0 | Ignore READY pin for EMI accesses to ERAMLO and ERAMHI space. | |
| | | 1 | Permit READY pin to extend ERAMLO and ERAMHI space accesses. | |
| 12 | RDYEN0 [†] | 0 | Ignore READY pin for EMI accesses to EROM space. | |
| | | 1 | Permit READY pin to extend EROM space accesses. | |
| 11—8 | IATIM[3:0] [‡] | XXXX | Number of DSP clock cycles (CLK) the enable for IO space is asserted. | |
| 7—4 | YATIM[3:0] [‡] | XXXX | Number of DSP clock cycles (CLK) the enable for ERAMLO or ERAMHI space is asserted. | |
| 3—0 | XATIM[3:0] [‡] | XXXX | Number of DSP clock cycles (CLK) the enable for EROM space is asserted. | |

[†] These fields are cleared on reset.

[‡] These fields cannot be programmed to 0000. If the program writes 0000 to any of these fields, the EMI hardware writes 0001 into the field. The number of cycles per access (wait-state) is the enable assertion time plus one. These fields are set on reset (**mwait** resets to 0x0FFF).

Software Architecture (continued)

Registers (continued)

Register Settings (continued)

Table 59. OCR (ESIO Output Control) Register

Note: This register is not directly program-accessible (memory-mapped to address 0xE003A).

| 15—14 | 13—12 | 11 | 10 | 9 | 8 | 7 | 6 | 5 | 4 | 3 | 2 | 1—0 |
|-------|----------------------------------|--------|--|-------|-------|--------|--------|-------|--------|------|-----|-----------|
| Res | OFRMSZ[1:0] | OTMODE | OMODE | OSIZE | OSLEV | CRESET | EDOEEO | EDOMD | ORESET | OLEV | OCA | OFIR[1:0] |
| Bit | Field | Value | Description | | | | | | | | | |
| 15—14 | Res | — | Reserved—write with zero. | | | | | | | | | |
| 13—12 | OFRMSZ[1:0] (frame mode only) | 00 | 256-bit frame size (default). | | | | | | | | | |
| | | 01 | 192-bit frame size. | | | | | | | | | |
| | | 10 | 128-bit frame size. | | | | | | | | | |
| | | 11 | 64-bit frame size. | | | | | | | | | |
| 11 | OTMODE (frame mode only) | 0 | No override of OCSL \langle 0—1 \rangle transfer rate control. | | | | | | | | | |
| | | 1 | OCSL \langle 0—1 \rangle transfer rate control by transferring all OMX \langle 0—15 \rangle registers to the associated serial output registers at the OFIR frequency. | | | | | | | | | |
| 10 | OMODE | 0 | Frame mode. | | | | | | | | | |
| | | 1 | Simple mode. | | | | | | | | | |
| 9 | OSIZE | 0 | When OMODE = 1: 16-bit simple mode. When OMODE = 0: 8-bit frame mode. | | | | | | | | | |
| | | 1 | When OMODE = 1: 8-bit simple mode. When OMODE = 0: 8-bit frame mode. | | | | | | | | | |
| 8 | OSLEV | 0 | Do not invert the ESIO output frame sync (EOFS) pin to produce the internal output frame sync (OFS) signal. | | | | | | | | | |
| | | 1 | Invert the EOFS pin to produce the internal OFS signal. | | | | | | | | | |
| 7 | CRESET (frame mode only) | 0 | No action. | | | | | | | | | |
| | | 1 | Output collision error reset: Clear ECOL interrupt. | | | | | | | | | |
| 6 | EDOEEO | 0 | EDO is in high-impedance state. | | | | | | | | | |
| | | 1 | EDO is enabled. | | | | | | | | | |
| 5 | EDOMD | 0 | EDO is a 3-state driver. | | | | | | | | | |
| | | 1 | EDO is an open-drain driver. | | | | | | | | | |
| 4 | ORESET | 0 | No action. This bit always reads as zero. | | | | | | | | | |
| | | 1 | Reset the ESIO output section—the ESIO automatically clears this bit one CLK cycle after performing the reset. | | | | | | | | | |
| 3 | OLEV | 0 | Do not invert the ESIO output bit clock (EOBC) pin to produce the internal output bit clock (OBC) signal. | | | | | | | | | |
| | | 1 | Invert the EOBC pin to produce the OBC signal. | | | | | | | | | |
| 2 | OCA | 0 | Disable ESIO output section—no output processing. | | | | | | | | | |
| | | 1 | Enable ESIO output section—output processing. | | | | | | | | | |
| 1—0 | OFIR[1:0] (frame mode only) | 00 | Output frame interrupt rate is every two complete output frames. | | | | | | | | | |
| | | 01 | Output frame interrupt rate is every four complete output frames. | | | | | | | | | |
| | | 10 | Output frame interrupt rate is every eight complete output frames. | | | | | | | | | |
| | | 11 | Output frame interrupt rate is every sixteen complete output frames. | | | | | | | | | |

Software Architecture (continued)

Registers (continued)

Register Settings (continued)

Table 60. OCSB<0—7> (ESIO Output Channel Start Bit) Registers

Note: These registers are not directly program-accessible (memory-mapped at address 0xE0030 to 0xE0037).

| | 15—8 | 7—0 |
|--------------|------------|------------|
| OCSB0 | Channel 1 | Channel 0 |
| OCSB1 | Channel 3 | Channel 2 |
| OCSB2 | Channel 5 | Channel 4 |
| OCSB3 | Channel 7 | Channel 6 |
| OCSB4 | Channel 9 | Channel 8 |
| OCSB5 | Channel 11 | Channel 10 |
| OCSB6 | Channel 13 | Channel 12 |
| OCSB7 | Channel 15 | Channel 14 |

| Field | Value | Description |
|-------------------------|--------------|--|
| Channel 0 to Channel 15 | 0x00 to 0xFF | Start bit position for corresponding logical output channel. Ranges from 0 to 255. |

Table 61. OCSL<0—1> (ESIO Output Channel Sample Length) Registers

Note: These registers are used only in frame mode (**OCR[OMODE]** = 0) and are not directly program-accessible (memory-mapped to addresses 0xE0038 and 0xE0039).

| | 15—14 | 13—12 | 11—10 | 9—8 | 7—6 | 5—4 | 3—2 | 1—0 |
|--------------|------------|------------|------------|------------|------------|------------|-----------|-----------|
| OCSL0 | Channel 7 | Channel 6 | Channel 5 | Channel 4 | Channel 3 | Channel 2 | Channel 1 | Channel 0 |
| OCSL1 | Channel 15 | Channel 14 | Channel 13 | Channel 12 | Channel 11 | Channel 10 | Channel 9 | Channel 8 |

| Field | Value | Description |
|-------------------------|-------|--|
| Channel 0 to Channel 15 | 00 | Output sample length is 1 bit (parallel-to-serial transfer rate is every 16 frames). |
| | 01 | Output sample length is 2 bits (parallel-to-serial transfer rate is every 8 frames). |
| | 10 | Output sample length is 4 bits (parallel-to-serial transfer rate is every 4 frames). |
| | 11 | Output sample length is 8 bits (parallel-to-serial transfer rate is every 2 frames). |

Table 62. OCVV (ESIO Output Channel Valid Vector) Register

Note: This register is not directly program-accessible (memory-mapped to address 0xE003B). For simple mode, enable only logical channel 0, i.e., set **OCVV** to 0x0001. For frame mode, the bits in **OCVV** must be packed, i.e., channels must be allocated from 0 to 15 with no holes between valid channels. For example, if **OCVV** contains 0x00FF, then logical channels 0—7 are enabled and demultiplexed. A value of 0x08FF for **OCVV** is invalid because the channels are not packed.

| 15 | 14 | 13 | 12 | 11 | 10 | 9 | 8 |
|------------|------------|------------|------------|------------|------------|-----------|-----------|
| Channel 15 | Channel 14 | Channel 13 | Channel 12 | Channel 11 | Channel 10 | Channel 9 | Channel 8 |
| 7 | 6 | 5 | 4 | 3 | 2 | 1 | 0 |
| Channel 7 | Channel 6 | Channel 5 | Channel 4 | Channel 3 | Channel 2 | Channel 1 | Channel 0 |

| Field | Value | Description |
|-------------------------|-------|---|
| Channel 0 to Channel 15 | 0 | Disable the corresponding logical output channel, i.e., do not multiplex the output data stream for this logical channel. |
| | 1 | Enable the corresponding logical output channel, i.e., multiplex the output data stream for this logical channel. |

Software Architecture (continued)

Registers (continued)

Register Settings (continued)

Table 63. PHIFC (PHIF16 Control) Register

Note: This register is not directly program-accessible. It must be programmed through MIOU0 by writing **mcmd0**.

| | | 11—8 | 7 | 6 | 5 | 4 | 3 | 2 | 1 | 0 |
|------|----------|----------|---|--------|----------|-------|--------|-------|---------|-------|
| | | Reserved | PCFIG | PSOBEF | PFLAGSEL | PFLAG | PBSELF | PSTRB | PSTROBE | PMODE |
| Bit | Field | Value | Description | | | | | | | |
| 11—8 | Reserved | — | Reserved—write with zero. | | | | | | | |
| 7 | PCFIG | 0 | 8-bit external bus configuration. PB[15:8] are 3-stated. | | | | | | | |
| | | 1 | 16-bit external bus configuration. | | | | | | | |
| 6 | PSOBEF | 0 | POBE flag as read through PSTAT register is active-high. | | | | | | | |
| | | 1 | POBE flag as read through PSTAT register is active-low. | | | | | | | |
| 5 | PFLAGSEL | 0 | The state of the PIBF pin is same as that of the PIBF flag. | | | | | | | |
| | | 1 | The state of the PIBF pin is the PIBF flag logically ORed with the POBE flag. (The state of the POBE pin is unaffected and is the same as that of the POBE flag.) | | | | | | | |
| 4 | PFLAG | 0 | PIBF and POBE pins active-high. | | | | | | | |
| | | 1 | PIBF and POBE pins active-low. | | | | | | | |
| 3 | PBSELF | 0 | If PMODE = 0, PBSEL pin = 0 → PDX0 low byte. If PMODE = 1, PBSEL pin = 0 → PDX0 low byte. If PMODE = 1, PBSEL pin = 1 → PDX0 high byte. | | | | | | | |
| | | 1 | If PMODE = 0, PBSEL pin = 1 → PDX0 low byte. If PMODE = 1, PBSEL pin = 0 → PDX0 high byte. If PMODE = 1, PBSEL pin = 1 → PDX0 low byte. | | | | | | | |
| 2 | PSTRB | 0 | If PSTROBE = 1, PODS pin (PDS) active-low. | | | | | | | |
| | | 1 | If PSTROBE = 1, PODS pin (PDS) active-high. | | | | | | | |
| 1 | PSTROBE | 0 | <i>Intel</i> protocol: PIDS and PODS data strobes. | | | | | | | |
| | | 1 | <i>Motorola</i> protocol: PRWN and PDS data strobes. | | | | | | | |
| 0 | PMODE | 0 | If 8-bit external bus configuration, 8-bit logical data transfers. If 16-bit external bus configuration, preserve high and low byte positions. | | | | | | | |
| | | 1 | If 8-bit external bus configuration, 16-bit logical data transfers. If 16-bit external bus configuration, swap high and low byte positions. | | | | | | | |

Software Architecture (continued)

Registers (continued)

Register Settings (continued)

Table 64. pllC (Phase-Lock Loop Control) Register

| 15 | | 14 | | 13 | | 12 | | 11—8 | | | 7—5 | | | 4—0 | | |
|-------|------------|--------|---|-----|--|----------|--|---------|--|--|------------|--|--|------------|--|--|
| PLLEN | | PLLSEL | | ICP | | Reserved | | LF[3:0] | | | Nbits[2:0] | | | Mbits[4:0] | | |
| Bit | Field | Value | Description | | | | | | | | | | | | | |
| 15 | PLLEN | 0 | PLL disabled (powered down). | | | | | | | | | | | | | |
| | | 1 | PLL enabled (powered up). | | | | | | | | | | | | | |
| 14 | PLLSEL | 0 | DSP core clock (f _{CLK}) taken directly from CKI pin. | | | | | | | | | | | | | |
| | | 1 | DSP core clock (f _{CLK}) taken from PLL. | | | | | | | | | | | | | |
| 13 | ICP | 1 | Charge pump current selection—set to one for proper operation. | | | | | | | | | | | | | |
| 12 | Reserved | 0 | Reserved—write with zero. | | | | | | | | | | | | | |
| 11—8 | LF[3:0] | — | Loop filter setting (see table below). | | | | | | | | | | | | | |
| 7—5 | Nbits[2:0] | 0—7 | Encodes N, 1 ≤ N ≤ 8, where N = Nbits[2:0] + 2, unless Nbits = 111, then N = 1. | | | | | | | | | | $f_{PLL} = f_{CKI} \times M/2N$, where: <ul style="list-style-type: none"> ■ f_{PLL} is the PLL output frequency. ■ f_{CKI} is the input clock frequency applied to the CKI pin. ■ Program M/N ≥ 2 (f_{PLL} ≥ f_{CKI}) | | | |
| 4—0 | Mbits[4:0] | 0—22 | Encodes M, 2 ≤ M ≤ 24, where M = Mbits[4:0] + 2. | | | | | | | | | | | | | |

PLL Loop Filter Settings and Lock-In Time

| M | pllC[11:8] (LF[3:0]) | Typical Lock-In Time (μs) [†] |
|-------|----------------------|--|
| 23—24 | 1011 | 30 |
| 21—22 | 1010 | 30 |
| 19—20 | 1001 | 30 |
| 16—18 | 1000 | 30 |
| 12—15 | 0111 | 30 |
| 8—11 | 0110 | 30 |
| 2—7 | 0100 | 30 |

[†] Lock-in time is the time following assertion of the PLLEN bit of the pllC register during which the PLL output clock is unstable. The DSP must operate from the CKI input clock or from the slow ring oscillator while the PLL is locking. The DSP16210 signals completion of the lock-in interval by setting the LOCK flag.

Software Architecture (continued)

Registers (continued)

Register Settings (continued)

Table 65. powerc (Power Control) Register

| 15—13 | 12 | 11 | 10 | 9 | 8 | 7 | 6—5 | 4 | 3 | 2 | 1 | 0 |
|-------|---------|--------|--|------|--------|--------|-----|------|-------|-------|--------|--------|
| Res | SSIO | PHIF16 | SLOWCLK | NOCK | INT1EN | INT0EN | Res | ESIO | MIOU1 | MIOU0 | TIMER1 | TIMER0 |
| Bit | Field | Value | Description | | | | | | | | | |
| 15—13 | Res | — | Reserved—write with zero. | | | | | | | | | |
| 12 | SSIO | 0 | Power up the SSIO (enable the SSIO clock). | | | | | | | | | |
| | | 1 | Power down SSIO (disable the SSIO clock). | | | | | | | | | |
| 11 | PHIF16 | 0 | Power up the PHIF16 (enable the PHIF16 clock). | | | | | | | | | |
| | | 1 | Power down PHIF16 (disable the PHIF16 clock). | | | | | | | | | |
| 10 | SLOWCLK | 0 | Power down the ring oscillator and deselect it as the internal source clock. | | | | | | | | | |
| | | 1 | Power up the ring oscillator and select it as the internal source clock. (Overridden by PLLSEL field (pllc [14])— PLLSEL = 1, then the PLL is selected as the clock source.) | | | | | | | | | |
| 9 | NOCK | 0 | Enable internal clock operation (CLK). | | | | | | | | | |
| | | 1 | Disable internal clock operation (CLK), suspending all core, peripheral, and I/O activity until one of the following occurs: <ul style="list-style-type: none"> ■ INT0 pin is asserted and INT0EN is set. ■ INT1 pin is asserted and INT1EN is set. ■ Device reset. | | | | | | | | | |
| 8 | INT1EN | 0 | Asserting the INT1 pin does not clear the NOCK bit. | | | | | | | | | |
| | | 1 | Asserting the INT1 pin clears the NOCK bit. | | | | | | | | | |
| 7 | INT0EN | 0 | Asserting the INT0 pin does not clear the NOCK bit. | | | | | | | | | |
| | | 1 | Asserting the INT0 pin clears the NOCK bit. | | | | | | | | | |
| 6—5 | Res | — | Reserved—write with zero. | | | | | | | | | |
| 4 | ESIO | 0 | Power up the ESIO (enable the ESIO clock). | | | | | | | | | |
| | | 1 | Power down ESIO (disable the ESIO clock). | | | | | | | | | |
| 3 | MIOU1 | 0 | Power up the MIOU1 (enable the MIOU1 clock). | | | | | | | | | |
| | | 1 | Power down MIOU1 (disable the MIOU1 clock). | | | | | | | | | |
| 2 | MIOU0 | 0 | Power up the MIOU0 (enable the MIOU0 clock). | | | | | | | | | |
| | | 1 | Power down MIOU0 (disable the MIOU0 clock). | | | | | | | | | |
| 1 | TIMER1 | 0 | Power up the TIMER1 (enable the TIMER1 clock). | | | | | | | | | |
| | | 1 | Power down TIMER1 (disable the TIMER1 clock). | | | | | | | | | |
| 0 | TIMER0 | 0 | Power up the TIMER0 (enable the TIMER0 clock). | | | | | | | | | |
| | | 1 | Power down TIMER0 (disable the TIMER0 clock). | | | | | | | | | |

Table 66. PSTAT (PHIF16 Status) Register

Note: This register is not directly program-accessible. It is accessible via the PHIF16 pins.

| 7—2 | 1 | 0 |
|----------|------|------|
| Reserved | PIBF | POBE |

Software Architecture (continued)

Registers (continued)

Register Settings (continued)

Table 67. psw0 (Processor Status Word 0) Register

| 15 | 14 | 13 | 12 | 11 | 10 | 9 | 8—5 | 4 | 3—0 |
|------------------|-----------|--|-----|------|------|-----|-----------|-----|-----------|
| LMI | LEQ | LLV | LMV | SLLV | SLMV | a1V | a1[35:32] | a0V | a0[35:32] |
| Bit | Field | Description | | | | | | | |
| 15 | LMI | Most recent DAU result [†] is negative when set. | | | | | | | |
| 14 | LEQ | Most recent DAU result [†] is zero (equal) when set. | | | | | | | |
| 13 | LLV | Most recent DAU operation [†] resulted in logical overflow. [‡] | | | | | | | |
| 12 | LMV | Most recent DAU operation [†] resulted in mathematical overflow. [§] | | | | | | | |
| 11 ^{††} | SLLV | Sticky version of LLV that remains active once set by a DAU operation until explicitly cleared by a write to psw0 . | | | | | | | |
| 10 ^{††} | SLMV | Sticky version of LMV that remains active once set by a DAU operation until explicitly cleared by a write to psw0 . | | | | | | | |
| 9 | a1V | a1V is set if an operation results in mathematical overflow, the result is written to a1 , and FSAT=0. | | | | | | | |
| 8—5 | a1[35:32] | The four lower guard bits of a1 . ^{‡‡} | | | | | | | |
| 4 | a0V | a0V is set if an operation results in mathematical overflow, the result is written to a0 , and FSAT=0. | | | | | | | |
| 3—0 | a0[35:32] | The four lower guard bits of a0 . ^{‡‡} | | | | | | | |

[†] ALU/ACS result if the DAU operation uses the ALU/ACS; otherwise, ADDER or BMU result, whichever applies.

[‡] The ALU or ADDER cannot represent the result in 40 bits or the BMU control operand is out of range.

[§] The ALU/ACS, ADDER, or BMU cannot represent the result in 32 bits. For the BMU, other conditions can also cause mathematical overflow.

^{††} Cleared on reset.

^{‡‡} Required for compatibility with DSP16XX family.

Software Architecture (continued)

Registers (continued)

Register Settings (continued)

Table 68. psw1 (Processor Status Word 1) Register

| 15 | 14 | 13—12 | 11—10 | 9—7 | 6 | 5—0 |
|--------------------|------------------|-----------|---|----------|------|---------|
| Reserved | IEN | IPLc[1:0] | IPLp[1:0] | Reserved | EPAR | a[7:2]V |
| Bit | Field | Value | Description | | | |
| 15 | Reserved | — | Reserved—write with zero. | | | |
| 14 [†] | IEN [‡] | 0 | Interrupts are globally disabled [§] . | | | |
| | | 1 | Interrupts are globally enabled. | | | |
| 13—12 [†] | IPLc[1:0] | 00 | Current interrupt priority level is 0; core handles pending interrupts of priority 1, 2, or 3. | | | |
| | | 01 | Current interrupt priority level is 1; core handles pending interrupts of priority 2 or 3. | | | |
| | | 10 | Current interrupt priority level is 2; core handles pending interrupts of priority 3 only. | | | |
| | | 11 | Current interrupt priority level is 3; core does not handle any pending interrupts [§] . | | | |
| 11—10 | IPLp[1:0] | 00 | Previous interrupt priority level ^{††} was 0. | | | |
| | | 01 | Previous interrupt priority level ^{††} was 1. | | | |
| | | 10 | Previous interrupt priority level ^{††} was 2. | | | |
| | | 11 | Previous interrupt priority level ^{††} was 3. | | | |
| 9—7 | Reserved | — | Reserved—write with zero. | | | |
| 6 | EPAR | 0 | Most recent BMU or special function shift result has odd parity. | | | |
| | | 1 | Most recent BMU or special function shift result has even parity. | | | |
| 5 | a7V | 1 | a7V is set if an operation results in mathematical overflow, the result is written to a7 , and FSAT=0. | | | |
| 4 | a6V | 1 | a6V is set if an operation results in mathematical overflow, the result is written to a6 , and FSAT=0. | | | |
| 3 | a5V | 1 | a5V is set if an operation results in mathematical overflow, the result is written to a5 , and FSAT=0. | | | |
| 2 | a4V | 1 | a4V is set if an operation results in mathematical overflow, the result is written to a4 , and FSAT=0. | | | |
| 1 | a3V | 1 | a3V is set if an operation results in mathematical overflow, the result is written to a3 , and FSAT=0. | | | |
| 0 | a2V | 1 | a2V is set if an operation results in mathematical overflow, the result is written to a2 , and FSAT=0. | | | |

[†] Cleared on reset.

[‡] This bit is read only. The programmer clears this bit by executing a **di** instruction and sets it by executing an **ei** or **ireturn** instruction. If the core services an interrupt, it clears this bit.

[§] The core handles any pending traps.

^{††} Previous interrupt priority level is the priority level of the interrupt most recently serviced prior to the current interrupt. This field is used for interrupt nesting.

Software Architecture (continued)

Registers (continued)

Register Settings (continued)

Table 69. sbit (BIO Status/Control) Register

| 15—8 | | 7—0 | |
|------------|-----------------------|------------|-------------------------------------|
| DIREC[7:0] | | VALUE[7:0] | |
| Bit | Field | Value | Description |
| 15—8 | DIREC[n] [†] | 1xxxxxx | IOBIT7 is an output (input when 0). |
| | | x1xxxxx | IOBIT6 is an output (input when 0). |
| | | xx1xxxx | IOBIT5 is an output (input when 0). |
| | | xxx1xxx | IOBIT4 is an output (input when 0). |
| | | xxxx1xxx | IOBIT3 is an output (input when 0). |
| | | xxxxx1xx | IOBIT2 is an output (input when 0). |
| | | xxxxxx1x | IOBIT1 is an output (input when 0). |
| | | xxxxxxx1 | IOBIT0 is an output (input when 0). |
| 7—0 | VALUE[n] [†] | Rxxxxxx | Reads the current value of IOBIT7. |
| | | xRxxxxx | Reads the current value of IOBIT6. |
| | | xxRxxxx | Reads the current value of IOBIT5. |
| | | xxxRxxx | Reads the current value of IOBIT4. |
| | | xxxxRxx | Reads the current value of IOBIT3. |
| | | xxxxxRx | Reads the current value of IOBIT2. |
| | | xxxxxxR | Reads the current value of IOBIT1. |
| | | xxxxxxxR | Reads the current value of IOBIT0. |

[†] 0 ≤ n ≤ 7.

Software Architecture (continued)

Registers (continued)

Register Settings (continued)

Table 70. SSI0C (SSIO Control) Register

Note: This register is not directly program-accessible. It must be programmed through MIOU1.

| | | | | | | | | | | |
|----------|-------|----|-----------|-----|-----|-----|-----|-----|------|------|
| 11 | 10 | 9 | 8—7 | 6 | 5 | 4 | 3 | 2 | 1 | 0 |
| Reserved | DODLY | LD | ACLK[1:0] | MSB | OLD | ILD | OCK | ICK | OLEN | ILEN |

| Bit | Field | Value | Description |
|-----|-----------|-------|--|
| 11 | Reserved | — | Reserved—write with zero. |
| 10 | DODLY | 0 | DO changes on the rising edge of OCK. |
| | | 1 | DO changes on the falling edge of OCK. The delay in driving DO increases the hold time on DO by half a cycle of OCK. |
| 9 | LD | 0 | In active mode, ILD and/or OLD = ICK ÷ 16. |
| | | 1 | In active mode, ILD and/or OLD = OCK ÷ 16. |
| 8—7 | ACLK[1:0] | 00 | Active clock = CLK ÷ 2. |
| | | 01 | Active clock = CLK ÷ 6. |
| | | 10 | Active clock = CLK ÷ 8. |
| | | 11 | Active clock = CLK ÷ 10. |
| 6 | MSB | 0 | LSB first. |
| | | 1 | MSB first. |
| 5 | OLD | 0 | OLD is an input (passive OLD). |
| | | 1 | OLD is an output (active OLD). |
| 4 | ILD | 0 | ILD is an input (passive ILD). |
| | | 1 | ILD is an output (active ILD). |
| 3 | OCK | 0 | OCK is an input (passive OCK). |
| | | 1 | OCK is an output (active OCK). |
| 2 | ICK | 0 | ICK is an input (passive ICK). |
| | | 1 | ICK is an output (active ICK). |
| 1 | OLEN | 0 | 16-bit output. |
| | | 1 | 8-bit output (passive OLD mode only). |
| 0 | ILEN | 0 | 16-bit input. |
| | | 1 | 8-bit input (passive ILD mode only). |

Software Architecture (continued)

Registers (continued)

Register Settings (continued)

Table 71. timer<0,1> (TIMER<0,1> Running Count) Register

| Bits 15—0 | |
|--------------------|--|
| Field | Running Count for TIMER<0,1> [†] |
| Description | Read timer<0,1> for current output of down counter. Write timer<0,1> to load down counter and period register [‡] . |
| R/W | R/W |
| Reset Value | 0 |

[†] To read or write this register, TIMER<0,1> must be powered up, i.e., timer<0,1>c[PWR_DWN] and powerc[TIMER<0,1>] must both be cleared.
[‡] The period register is used if timer<0,1>c[RELOAD] is set—the timer automatically reloads the down counter from the period register after the counter reaches zero and continues decrementing the counter indefinitely.

Table 72. timer<0,1>c (TIMER<0,1> Control) Register

| 15—7 | 6 | 5 | 4 | 3—0 |
|----------|---------------|--------|---|---------------|
| Reserved | PWR_DWN | RELOAD | COUNT | PRESCALE[3:0] |
| Bit | Field | Value | Description | |
| 15—7 | Reserved | 0 | Reserved—write with zero. | |
| 6 | PWR_DWN | 0 | Power up the timer [†] . | |
| | | 1 | Power down the timer [†] . | |
| 5 | RELOAD | 0 | Stop decrementing the down counter after it reaches zero. | |
| | | 1 | Automatically reload the down counter from the period register after the counter reaches zero and continue decrementing the counter indefinitely. | |
| 4 | COUNT | 0 | Hold the down counter at its current value, i.e., stop the timer. | |
| | | 1 | Decrement the down counter, i.e., run the timer. | |
| 3—0 | PRESCALE[3:0] | 0000 | Controls the counter prescaler to determine the frequency of the timer, i.e., the frequency of the clock applied to the timer down counter. This frequency is a ratio of the internal clock frequency fCLK: | fCLK/2 |
| | | 0001 | | fCLK/4 |
| | | 0010 | | fCLK/8 |
| | | 0011 | | fCLK/16 |
| | | 0100 | | fCLK/32 |
| | | 0101 | | fCLK/64 |
| | | 0110 | | fCLK/128 |
| | | 0111 | | fCLK/256 |
| | | 1000 | | fCLK/512 |
| | | 1001 | | fCLK/1024 |
| | | 1010 | | fCLK/2048 |
| | | 1011 | | fCLK/4096 |
| | | 1100 | | fCLK/8192 |
| | | 1101 | | fCLK/16384 |
| 1110 | fCLK/32768 | | | |
| 1111 | fCLK/65536 | | | |

[†] Except if powerc[TIMER<0,1>] is set.
[‡] Except if powerc[TIMER<0,1>] is cleared. If TIMER<0,1> is powered down, then timer<0,1> cannot be read or written. While the timer is powered down, the state of the down counter and period register remain unchanged.

Software Architecture (continued)

Registers (continued)

Register Settings (continued)

Table 73. vsw (Viterbi Support Word) Register

| 15—6 | | | 5 | 4 | 3 | 2 | 1 | 0 |
|----------|----------|-------|--|-----|-----|----------|--------|--------|
| Reserved | | | VEN | MAX | TB2 | Reserved | CFLAG1 | CFLAG0 |
| Bit | Field | Value | Description | | | | | |
| 15—6 | Reserved | — | Reserved—write with zero. | | | | | |
| 5 | VEN | 0 | Disables Viterbi side effects. | | | | | |
| | | 1 | Enables Viterbi side effects. | | | | | |
| 4 | MAX | 0 | The cmp0() , cmp1() , and cmp2() functions select minimum of input operands. | | | | | |
| | | 1 | The cmp0() , cmp1() , and cmp2() functions select maximum of input operands. | | | | | |
| 3 | TB2 | 0 | The traceback encoder stuffs one traceback bit into ar0 for the cmp1() function or stuffs one old traceback bit from ar0 into ar1 for the cmp0() function (GSM/IS95-compatible mode). | | | | | |
| | | 1 | The traceback encoder stuffs two traceback bits into ar0 for the cmp1() function or stuffs two old traceback bits from ar0 into ar1 for the cmp0() function (IS54/IS136-compatible mode). | | | | | |
| 2 | Reserved | — | Reserved—write with zero. | | | | | |
| 1 | CFLAG1 | — | Previous value of CFLAG0. The traceback encoder copies the value of CFLAG0 to CFLAG1 if the DAU executes a cmp2() function and VEN=1. | | | | | |
| 0 | CFLAG0 | — | Previous value of CFLAG [†] . The traceback encoder copies the value of CFLAG to CFLAG0 if the DAU executes a cmp2() function and VEN=1. | | | | | |

† For the **cmp2(aSE, aDE)** function, CFLAG=0 if MAX=0 and aSE ≥ aDE or if MAX=1 and aSE < aDE, and CFLAG=1 if MAX=0 and aSE < aDE or if MAX=1 and aSE ≥ aDE.

Software Architecture (continued)

Registers (continued)

Reset States

Pin reset occurs if the RSTB pin is asserted (low). (See [RSTB Pin Reset on page 18](#) for more information.) Tables 74 through 77 describe how reset affects the state of the core registers. Table 78 on page 114 describes how reset affects the state of the peripheral (off-core) registers. The following bit codes apply:

- Bit code • indicates that this bit is unknown after powerup reset and is unaffected by subsequent pin resets.
- Bit code P indicates the value on the corresponding input pin (applies to **sbit** register and the IOBIT[7:0] pins).

Table 74. Core Register States After Reset—40-bit Registers

| Register | Bits 39—0 |
|----------|---|
| a0 | •••• •••• •••• •••• •••• •••• •••• •••• •••• •••• |
| a1 | •••• ••~• ••~• ••~• ••~• ••~• ••~• ••~• ••~• ••~• |
| a2 | •••• ••~• ••~• ••~• ••~• ••~• ••~• ••~• ••~• ••~• |
| a3 | ••~• ••~• ••~• ••~• ••~• ••~• ••~• ••~• ••~• ••~• |
| a4 | ••~• ••~• ••~• ••~• ••~• ••~• ••~• ••~• ••~• ••~• |
| a5 | ••~• ••~• ••~• ••~• ••~• ••~• ••~• ••~• ••~• ••~• |
| a6 | ••~• ••~• ••~• ••~• ••~• ••~• ••~• ••~• ••~• ••~• |
| a7 | ••~• ••~• ••~• ••~• ••~• ••~• ••~• ••~• ••~• ••~• |

Table 75. Core Register States After Reset—32-bit Registers

| Register | Bits 31—0 |
|----------|--|
| csave | ••~• ••~• ••~• ••~• ••~• ••~• ••~• ••~• ••~• |
| p0 | ••~• ••~• ••~• ••~• ••~• ••~• ••~• ••~• ••~• |
| p1 | ••~• ••~• ••~• ••~• ••~• ••~• ••~• ••~• ••~• |
| x | ••~• ••~• ••~• ••~• ••~• ••~• ••~• ••~• ••~• |
| y | ••~• ••~• ••~• ••~• ••~• ••~• ••~• ••~• ••~• |

Table 76. Core Register States After Reset—20-bit Registers

| Register | Bits 19—0 | Register | Bits 19—0 |
|----------|--------------------------|----------|--------------------------|
| h | ••~• ••~• ••~• ••~• ••~• | r1 | ••~• ••~• ••~• ••~• ••~• |
| i | ••~• ••~• ••~• ••~• ••~• | r2 | ••~• ••~• ••~• ••~• ••~• |
| inc0 | 0000 0000 0000 0000 0000 | r3 | ••~• ••~• ••~• ••~• ••~• |
| inc1 | 0000 0000 0000 0000 0000 | r4 | ••~• ••~• ••~• ••~• ••~• |
| ins | 0000 0000 0000 0000 0000 | r5 | ••~• ••~• ••~• ••~• ••~• |
| j | ••~• ••~• ••~• ••~• ••~• | r6 | ••~• ••~• ••~• ••~• ••~• |
| k | ••~• ••~• ••~• ••~• ••~• | r7 | ••~• ••~• ••~• ••~• ••~• |
| PC† | xxxx 0000 0000 0000 0000 | rb0 | 0000 0000 0000 0000 0000 |
| pi | ••~• ••~• ••~• ••~• ••~• | rb1 | 0000 0000 0000 0000 0000 |
| pr | ••~• ••~• ••~• ••~• ••~• | re0 | 0000 0000 0000 0000 0000 |
| pt0 | ••~• ••~• ••~• ••~• ••~• | re1 | 0000 0000 0000 0000 0000 |
| pt1 | ••~• ••~• ••~• ••~• ••~• | sp | ••~• ••~• ••~• ••~• ••~• |
| ptrap | ••~• ••~• ••~• ••~• ••~• | vbase | 0010 0000 0000 0001 0100 |
| r0 | ••~• ••~• ••~• ••~• ••~• | | |

† PC resets to 0x20000 (first address of IROM) if the EXM pin is 0 at the time of reset. It resets to 0x80000 (first address of EROM) if the EXM pin is 1 at the time of reset.

Software Architecture (continued)

Registers (continued)

Reset States (continued)

Table 77. Core Register States After Reset—16-bit Registers

| Register | Bits 15—0 | Register | Bits 15—0 |
|----------|---------------------|----------|---------------------|
| alf | 0000 00.. | c1 | |
| ar0 | | c2 | |
| ar1 | | cloop | 0000 0000 0000 0000 |
| ar2 | | cstate | 0000 0000 0000 0000 |
| ar3 | | psw0 | 00.. |
| auc0 | 0000 0000 0000 0000 | psw1 | 0000 |
| auc1 | 0000 0000 0000 0000 | vsw | 0000 0000 0000 0000 |
| c0 | | | |

Table 78. Peripheral (Off-Core) Register States After Reset

| Register | Size (bits) | Bits 15—0 | Register | Size (bits) | Bits 15—0 |
|------------|-------------|----------------------|-------------|-------------|---------------------|
| cbit | 16 | | OCSL<0—1> | 16 | 0000 0000 0000 0000 |
| IBAS<0—1> | 10 | | OCVV | 16 | 0000 0000 0000 0000 |
| ICR | 16 | 0000 0000 0000 0000 | OLEN<0—1> | 11 | 000 0000 0000 |
| ICSB<0—7> | 16 | 0000 0000 0000 0000 | OLIM<0—1> | 10 | |
| ICSL<0—1> | 16 | 0000 0000 0000 0000 | OMX<0—15> | 16 | |
| ICVV | 16 | 0000 0000 0000 0000 | PDX(in) | 16 | |
| IDMX<0—15> | 16 | | PDX(out) | 16 | 0000 0000 0000 0000 |
| ILEN<0—1> | 12 | 1111 1111 1111 | PHIFC | 12 | 0000 0000 0000 |
| ILIM<0—1> | 10 | | pllc | 16 | 0000 0000 0000 0000 |
| ioc | 16 | 0000 0000 0000 0000 | powerc | 16 | 0000 0000 0000 0000 |
| mcmd<0—1> | 16 | | PSTAT | 8 |01 |
| miwp<0—1> | 16 |00 0000 0000 | sbit† | 16 | 0000 0000 PPPP PPPP |
| morp<0—1> | 16 |00 0000 0000 | SSDX(in) | 16 | |
| mwait‡ | 16 | 0000 1111 1111 1111 | SSDX(out) | 16 | |
| OBAS<0—1> | 10 | | SSIOC | 12 | 0000 0000 0000 |
| OCR | 16 | 0000 0000 0000 0000 | timer<0—1> | 16 | 0000 0000 0000 0000 |
| OCSB<0—7> | 16 | 0000 0000 0000 0000 | timer<0—1>c | 16 | 0000 0000 0000 0000 |
| jjob§ | 32 | | | | |

† The value of **sbit**[7:0] is the same as that of the pins IOBIT[7:0].

‡ Unlike the DSP1620, there is no external means (e.g., INT1 and EXM) to initialize **mwait** to any other value.

§ The **jjob** register is the only peripheral register that is 32 bits; therefore, the bit pattern shown is for bits 31—0.

Note: Upon exiting the boot code, the following core registers are not reinitialized to their reset states as defined in the *DSP16000 Digital Signal Processor Core Information Manual*: **inc0**, **rb0**, **re0**, **vbase**, **cloop**, **cstate**. With the exception of the **ioc** register, none of the peripheral registers are reinitialized to their reset states as defined in [Table 78](#). It is recommended that the user code immediately globally disable interrupts by executing a **di** instruction and clear all pending interrupts by clearing **ins** (`ins = 0xffff`).

Software Architecture (continued)

Registers (continued)

RB Field Encoding

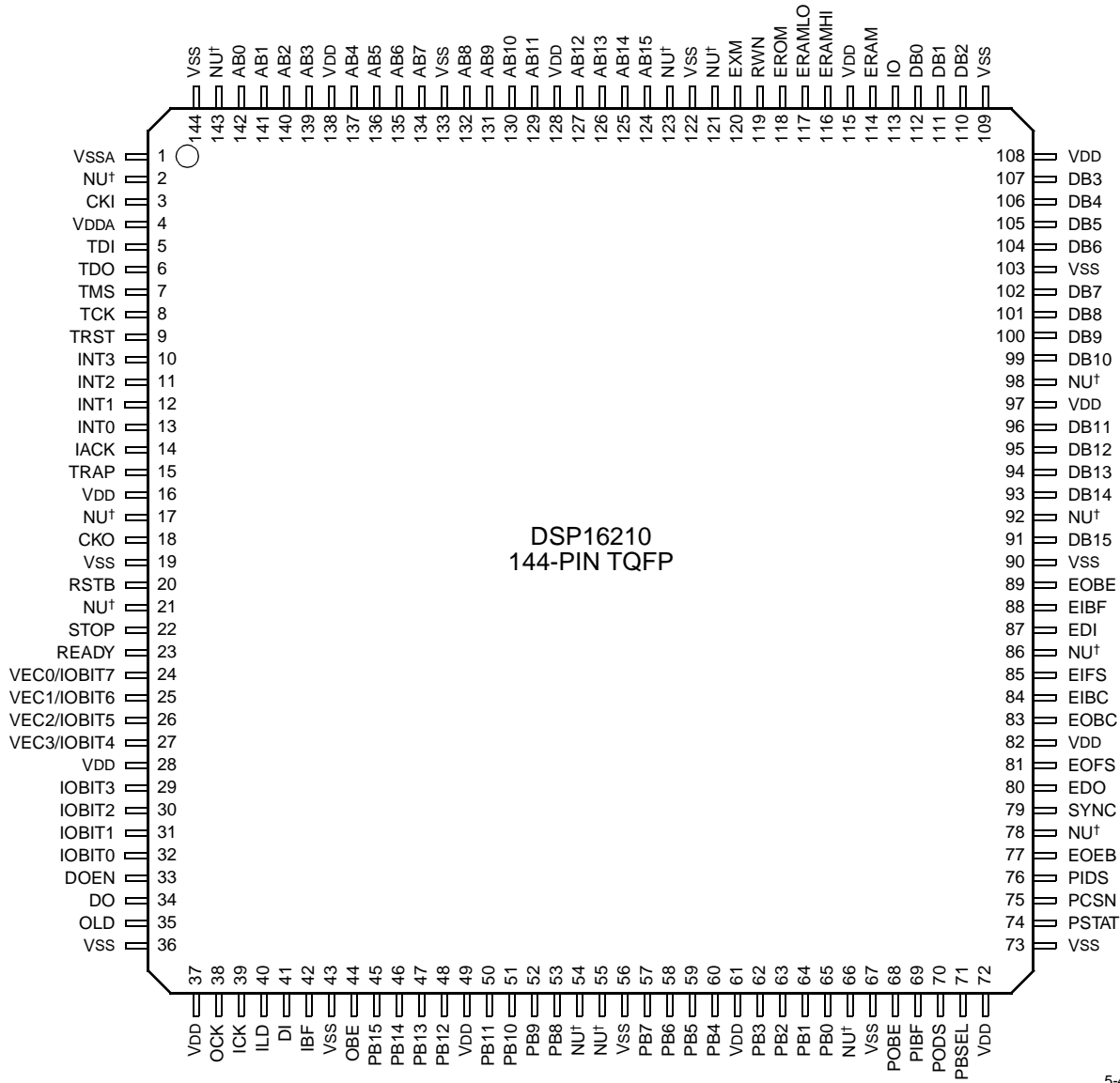
Table 79 describes the encoding of the RB field. This information supplements the instruction set encoding information in the *DSP16000 Digital Signal Processor Core Instruction Set Reference Manual*.

Table 79. RB Field

| RB [†] | Register | RB [†] | Register | RB [†] | Register | RB [†] | Register |
|-----------------|--------------|-----------------|---------------|-----------------|----------------|-----------------|--------------|
| 000000 | a0g | 010000 | Reserved | 100000 | ioc | 110000 | morp1 |
| 000001 | a1g | 010001 | cloop | 100001 | powerc | 110001 | Reserved |
| 000010 | a2g | 010010 | cstate | 100010 | pll | 110010 | Reserved |
| 000011 | a3g | 010011 | csave | 100011 | Reserved | 110011 | Reserved |
| 000100 | a4g | 010100 | auc1 | 100100 | mwait | 110100 | Reserved |
| 000101 | a5g | 010101 | ptrap | 100101 | cbit | 110101 | Reserved |
| 000110 | a6g | 010110 | vsw | 100110 | sbit | 110110 | Reserved |
| 000111 | a7g | 010111 | Reserved | 100111 | timer0c | 110111 | Reserved |
| 001000 | a0_1h | 011000 | ar0 | 101000 | timer0 | 111000 | Reserved |
| 001001 | inc1 | 011001 | ar1 | 101001 | timer1c | 111001 | Reserved |
| 001010 | a2_3h | 011010 | ar2 | 101010 | timer1 | 111010 | Reserved |
| 001011 | inc0 | 011011 | ar3 | 101011 | mcmd0 | 111011 | Reserved |
| 001100 | a4_5h | 011100 | vbase | 101100 | miwp0 | 111100 | Reserved |
| 001101 | pi | 011101 | ins | 101101 | morp0 | 111101 | Reserved |
| 001110 | a6_7h | 011110 | Reserved | 101110 | mcmd1 | 111110 | Reserved |
| 001111 | psw1 | 011111 | Reserved | 101111 | miwp1 | 111111 | jjob |

[†] RB field specifies one of a secondary set of registers as the destination of a data move. Codes 000000 through 011111 correspond to core registers and codes 100000 through 111111 correspond to off-core (peripheral) registers.

Pin Information



† NU = not usable; no external connections are allowed.

Figure 24. DSP16210 144-Pin TQFP Pin Diagram (Top View)

Pin Information (continued)

Functional descriptions of TQFP pins 1—144 are found in [Signal Descriptions beginning on page 121](#). Input levels on all I (input) and I/O (input/output) type pins are designed to remain at full CMOS levels when not driven. At full CMOS levels, no significant dc current is drawn. Although input and I/O buffers can be left untied, it is recommended that unused input pins (and I/O pins that are configured as inputs) be tied to V_{SS} or V_{DD} through a 10 k Ω resistor.

Table 80. Pin Descriptions

| TQFP Pin | Symbol | Type | Name/Function | Pin State During Reset (RSTB = 0) | | Pin State After Reset (RSTB 0 → 1) |
|--|----------|------|---|-----------------------------------|------------|------------------------------------|
| 91, 93, 94, 95, 96, 99, 100, 101, 102, 104, 105, 106, 107, 110, 111, 112 | DB[15:0] | I/O | External Memory Data Bus 15—0 | 3-state | | 3-state |
| 113 | IO | O | Y-Memory Address Space External I/O Enable | INT0 = 0 (deasserted) | logic high | logic high |
| | | | | INT0 = 1 (asserted) | 3-state | |
| 116 | ERAMHI | O | Y-Memory Address Space External RAM High Enable | INT0 = 0 (deasserted) | logic high | logic high |
| | | | | INT0 = 1 (asserted) | 3-state | |
| 117 | ERAMLO | O | Y-Memory Address Space External RAM Low Enable | INT0 = 0 (deasserted) | logic high | logic high |
| | | | | INT0 = 1 (asserted) | 3-state | |
| 114 | ERAM | O | Y-Memory Address Space External RAM Enable | INT0 = 0 (deasserted) | logic high | logic high |
| | | | | INT0 = 1 (asserted) | 3-state | |
| 118 | EROM | O | X-Memory Address Space External ROM Enable | INT0 = 0 (deasserted) | logic high | logic high |
| | | | | INT0 = 1 (asserted) | 3-state | |
| 119 | RWN | O | EMI Read/Write Not Indicator | INT0 = 0 (deasserted) | logic high | logic high |
| | | | | INT0 = 1 (asserted) | 3-state | |
| 120 | EXM | I | External Memory Boot Select | — | | — |
| 23 | READY | I | External Memory Access Acknowledge | — | | — |

† During and after reset, the internal clock is selected as the CKI input pin and the CKO output pin is selected as the internal clock.

‡ This pin has internal pull-up circuitry.

§ 3-states by JTAG control.

†† The **ioc** register (see [Table 54 on page 99](#)) is cleared after reset, including its EBIO field that controls the multiplexing of the VEC0/IOBIT7, VEC1/IOBIT6, VDC2/IOBIT5, and VEC3/IOBIT4 pins. After reset, these pins are configured as the VEC[3:0] outputs and are logic high.

‡‡ If unused, this pin must be pulled low through a 10 k Ω resistor to V_{SS}.

§§ 3-states if RSTB = 0 or PHIFC[PCFIG] = 0.

Pin Information (continued)

Table 80. Pin Descriptions (continued)

| TQFP Pin | Symbol | Type | Name/Function | Pin State During Reset (RSTB = 0) | | Pin State After Reset (RSTB 0 → 1) |
|--|-------------|----------------|--|-----------------------------------|---|---|
| 124, 125, 126, 127, 129, 130, 131, 132, 134, 135, 136, 137, 139, 140, 141, 142 | AB[15:0] | O | External Memory Address Bus 15—0 | 3-state | | logic low |
| 10, 11, 12, 13 | INT[3:0] | I | External Interrupt Requests | — | | — |
| 14 | IACK | O | Interrupt Acknowledge | 3-state | | logic low |
| 22 | STOP | I | STOP DSP Clocks (negative assertion) | — | | — |
| 15 | TRAP | I/O | TRAP/Breakpoint Indication | 3-state | | configured as input |
| 20 | RSTB | I | Device Reset (negative assertion) | — | | — |
| 18 | CKO | O | Programmable Clock Output | INT0 = 0 (deasserted) | internal clock (CLK = CKI) [†] | internal clock (CLK = CKI) [†] |
| | | | | INT0 = 1 (asserted) | 3-state | |
| 8 | TCK | I | JTAG Test Clock | — | | — |
| 7 | TMS | I [‡] | JTAG Test Mode Select | — | | — |
| 6 | TDO | O [§] | JTAG Test Data Output | — | | — |
| 5 | TDI | I [‡] | JTAG Test Data Input | — | | — |
| 9 | TRST | I [‡] | JTAG TAP Controller Reset (negative assertion) | — | | — |
| 3 | CKI | I | Input Clock | — | | — |
| 24 | VEC0/IOBIT7 | I/O | Vectored Interrupt ID Bit 0/BIO Signal Bit 7 | 3-state | | logic high ^{††} |
| 25 | VEC1/IOBIT6 | I/O | Vectored Interrupt ID Bit 1/BIO Signal Bit 6 | 3-state | | logic high ^{††} |
| 26 | VEC2/IOBIT5 | I/O | Vectored Interrupt ID Bit 2/BIO Signal Bit 5 | 3-state | | logic high ^{††} |
| 27 | VEC3/IOBIT4 | I/O | Vectored Interrupt ID Bit 3/BIO Signal Bit 4 | 3-state | | logic high ^{††} |
| 29 | IOBIT3 | I/O | BIO Signal Bit 3 | 3-state | | configured as input |
| 30 | IOBIT2 | I/O | BIO Signal Bit 2 | 3-state | | configured as input |
| 31 | IOBIT1 | I/O | BIO Signal Bit 1 | 3-state | | configured as input |
| 32 | IOBIT0 | I/O | BIO Signal Bit 0 | 3-state | | configured as input |
| 33 | DOEN | I | SSIO Data Output Enable | — | | — |
| 41 | DI | I | SSIO Data Input | — | | — |
| 39 | ICK | I/O | SSIO Input Clock | 3-state | | configured as input |
| 44 | OBE | O | SSIO Output Buffer Empty | 3-state | | logic high |

[†] During and after reset, the internal clock is selected as the CKI input pin and the CKO output pin is selected as the internal clock.

[‡] This pin has internal pull-up circuitry.

[§] 3-states by JTAG control.

^{††} The **ioc** register (see Table 54 on page 99) is cleared after reset, including its EBIO field that controls the multiplexing of the VEC0/IOBIT7, VEC1/IOBIT6, VEC2/IOBIT5, and VEC3/IOBIT4 pins. After reset, these pins are configured as the VEC[3:0] outputs and are logic high.

^{‡‡} If unused, this pin must be pulled low through a 10 kΩ resistor to Vss.

^{§§} 3-states if RSTB = 0 or PHIFC[PCFIG] = 0.

Pin Information (continued)

Table 80. Pin Descriptions (continued)

| TQFP Pin | Symbol | Type | Name/Function | Pin State During Reset (RSTB = 0) | Pin State After Reset (RSTB 0 → 1) |
|--|-------------------|-------------------|---|-----------------------------------|------------------------------------|
| 42 | IBF | O | SSIO Input Buffer Full | 3-state | logic low |
| 35 | OLD | I/O | SSIO Output Load | 3-state | configured as input |
| 40 | ILD | I/O | SSIO Input Load | 3-state | configured as input |
| 34 | DO | O | SSIO Data Output | 3-state | 3-state |
| 38 | OCK | I/O | SSIO Output Clock | 3-state | configured as input |
| 79 | SYNC [‡] | I | SSIO Bit Counter Sync | — | — |
| 88 | EIBF | O | ESIO Input Buffer Full | 3-state | logic low |
| 77 | EOEB | I | ESIO Data Output Enable | — | — |
| 80 | EDO | | ESIO Data Output | 3-state | 3-state |
| 81 | EOFS | I | ESIO Output Frame Sync | — | — |
| 83 | EOBC | I | ESIO Output Bit Clock | — | — |
| 84 | EIBC | I | ESIO Input Bit Clock | — | — |
| 85 | EIFS | I | ESIO Input Frame Sync | — | — |
| 87 | EDI | I | ESIO Data Input | — | — |
| 89 | EOBE | O | ESIO Output Buffer Empty | 3-state | logic high |
| 45, 46, 47, 48, 50, 51, 52, 53 | PB[15:8] | I/O ^{§§} | PHIF16 Parallel I/O Data Bus 15—8 | 3-state | 3-state |
| 57, 58, 59, 60, 62, 63, 64, 65 | PB[7:0] | I/O | PHIF16 Parallel I/O Data Bus 7—0 | 3-state | 3-state |
| 68 | POBE | O | PHIF16 Output Buffer Empty | 3-state | logic high |
| 69 | PIBF | O | PHIF16 Input Buffer Full | 3-state | logic low |
| 70 | PODS | I | PHIF16 Output Data Strobe | — | — |
| 76 | PIDS | I | PHIF16 Input Data Strobe | — | — |
| 71 | PBSEL | I | PHIF16 Peripheral Byte Select (8-bit external mode) | — | — |
| 74 | PSTAT | I | PHIF16 Peripheral Status Register Select | — | — |
| 75 | PCSN | I | PHIF16 Peripheral Chip Select Not | — | — |
| 19, 36, 43, 56, 67, 73, 90, 103, 109, 122, 133, 144 | Vss | P | Ground | — | — |
| 16, 28, 37, 49, 61, 72, 82, 97, 108, 115, 128, 138 | VDD | P | Power Supply | — | — |
| 4 | VDDA | P | Analog Power Supply | — | — |
| 1 | VSSA | P | Analog Ground | — | — |

† During and after reset, the internal clock is selected as the CKI input pin and the CKO output pin is selected as the internal clock.

‡ This pin has internal pull-up circuitry.

§ 3-states by JTAG control.

†† The **ioc** register (see Table 54 on page 99) is cleared after reset, including its EBIO field that controls the multiplexing of the VEC0/IOBIT7, VEC1/IOBIT6, VDC2/IOBIT5, and VEC3/IOBIT4 pins. After reset, these pins are configured as the VEC[3:0] outputs and are logic high.

‡‡ If unused, this pin must be pulled low through a 10 kΩ resistor to Vss.

§§ 3-states if RSTB = 0 or **PHIFC**[PCFIG] = 0.

Pin Information (continued)

Table 80. Pin Descriptions (continued)

| TQFP Pin | Symbol | Type | Name/Function | Pin State During Reset (RSTB = 0) | Pin State After Reset (RSTB 0 → 1) |
|--|--------|------|---|-----------------------------------|------------------------------------|
| 2, 17, 21, 54, 55, 66, 78, 86, 92, 98, 121, 123, 143 | NU | — | Not Usable (No external connections are allowed.) | — | — |

† During and after reset, the internal clock is selected as the CKI input pin and the CKO output pin is selected as the internal clock.

‡ This pin has internal pull-up circuitry.

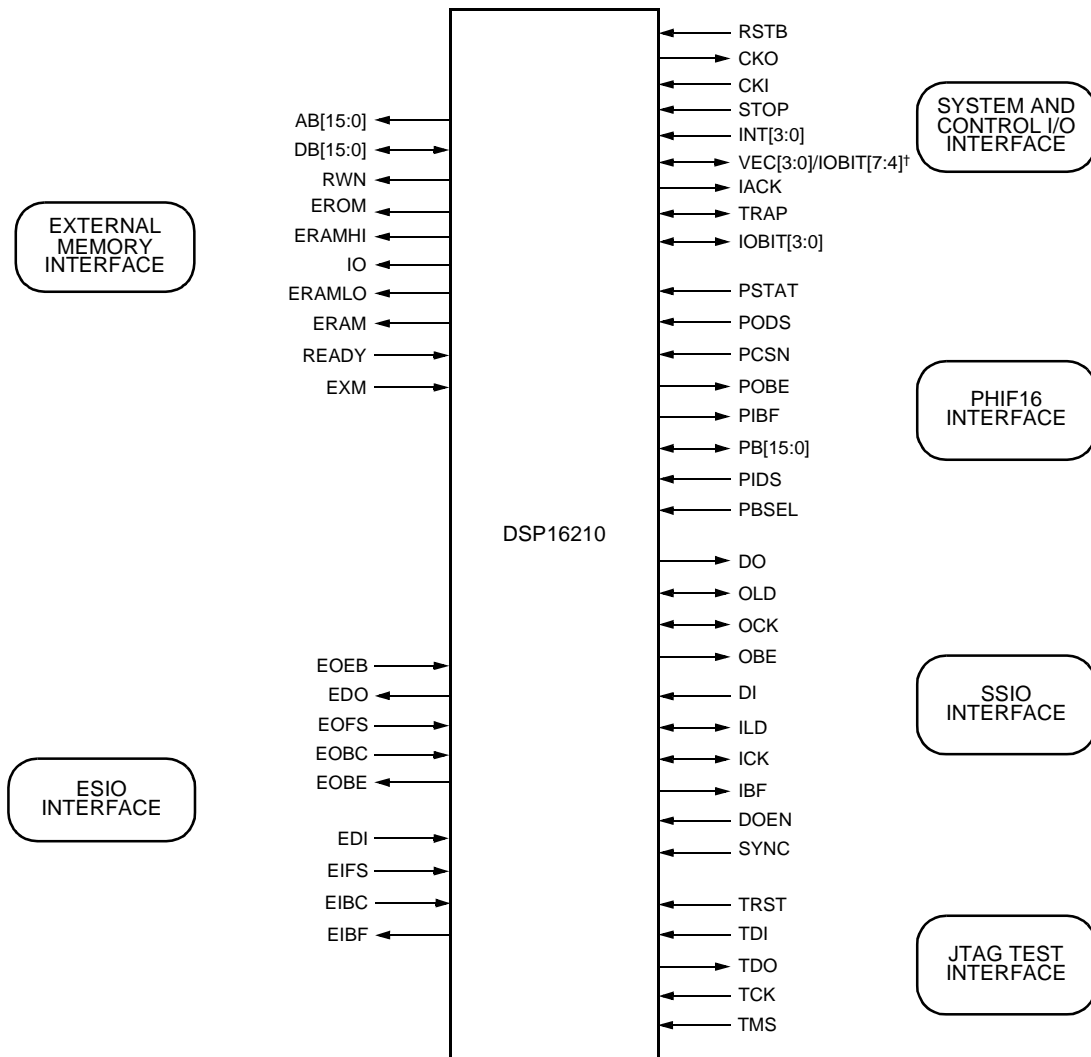
§ 3-states by JTAG control.

†† The **ioc** register (see [Table 54 on page 99](#)) is cleared after reset, including its EBIO field that controls the multiplexing of the VEC0/IOBIT7, VEC1/IOBIT6, VDC2/IOBIT5, and VEC3/IOBIT4 pins. After reset, these pins are configured as the VEC[3:0] outputs and are logic high.

‡‡ If unused, this pin must be pulled low through a 10 kΩ resistor to Vss.

§§ 3-states if RSTB = 0 or PHIFC[PCFIG] = 0.

Signal Descriptions



† VEC0 corresponds to IOBIT7, VEC1 corresponds to IOBIT6, VEC2 corresponds to IOBIT5, and VEC3 corresponds to IOBIT4.

Figure 25. DSP16210 Pinout by Interface

Figure 25 shows the interface pinout for the DSP16210. The signals can be separated into six interfaces as shown. Following is a description of these interfaces and the signals that comprise them.

Signal Descriptions (continued)**System Interface and Control I/O Interface****System Interface**

The system interface consists of the clock, interrupt, and reset signals for the processor.

RSTB — Device Reset: Negative assertion input. A high-to-low transition causes the processor to enter the reset state. See [Reset on page 18](#) for details.

CKI — Input Clock: The CKI input buffer drives the internal clock (CLK) directly or drives the on-chip PLL (see [Clock Synthesis beginning on page 56](#)). The PLL allows the CKI input clock to be at a lower frequency than the internal clock.

STOP — Stop DSP Clocks: Negative assertion input. A high-to-low transition synchronously stops the internal clock, leaving the processor in a defined state. Returning the pin high synchronously restarts the internal clock to continue program execution from where it left off without any loss of state. This hardware feature has the same effect as setting the NOCK bit in the **powerc** register (see [Table 65 on page 106](#)).

CKO — Programmable Clock Output: Buffered output clock with options programmable via the **ioc** register (see [Table 54 on page 99](#)). The selectable CKO options are as follows:

- CLK: A free-running output clock at the frequency of the internal clock.
- CLKE: Clock at the frequency of the internal clock held high during low-power standby mode (high when **AWAIT** (**alf**[15]) is high).
- CKI: Clock input pin.
- ZERO: A constant logic 0 output.
- ONE: A constant logic 1 output.

INT[3:0] — External Interrupt Requests: Positive pulse assertion inputs. Hardware interrupt inputs to the DSP16210. Each is enabled via the **inc0** register. When enabled and asserted properly with no equal- or higher-priority interrupts being serviced, each cause the processor to vector to the memory location described in [Table 4 on page 21](#). If an INT pin is asserted for at least the minimum required assertion time (see **t22** on page 145), the corresponding external

interrupt request is recorded in the **ins** register. If an INT pin is asserted for less than the minimum required assertion time, the corresponding interrupt request might or might not be recorded in the **ins** register. To avoid erroneous extra entries into the INT interrupt service routine (ISR), an INT pin must be deasserted at least three instruction cycles before the terminating **ireturn** instruction for the associated ISR is executed. When both INT0 and RSTB are asserted, all output and bidirectional pins (except TDO, which 3-states by JTAG control) are put in a 3-state condition.

VEC[3:0] — Vectored Interrupt IDs: Outputs. These four pins indicate which interrupt is currently being serviced by the device. [Table 4 on page 21](#) shows the code associated with each interrupt condition. VEC[3:0] are multiplexed with IOBIT[7:4] (see [Pin Multiplexing on page 13](#)). VEC0 corresponds to IOBIT7, VEC1 corresponds to IOBIT6, VEC2 corresponds to IOBIT5, and VEC3 corresponds to IOBIT4. VEC[3:0] defaults to 0xF (all ones) if no interrupt or trap is currently being serviced.

IACK — Interrupt Acknowledge: Positive assertion output. IACK signals when an interrupt is being serviced by the DSP16210. IACK is asserted for three DSP clock cycles.

TRAP — TRAP/Breakpoint Indication: Positive pulse assertion input/output. When asserted, the processor is put into the trap condition, which normally causes a branch to the location **vbases + 4**. Although normally an input, the pin can be configured as an output by the HDS block. As an output, the pin can be used to signal an HDS breakpoint in a multiple processor environment.

Control I/O Interface

The control I/O interface is used for status and control operations provided by the BIO unit.

IOBIT[7:0] — BIO Signals: Input/Output. Each of these pins can be independently configured as either an input or an output. As outputs, they can be independently set, toggled, or cleared. As inputs, they can be tested independently or in combinations for various data patterns. IOBIT[7:4] are pin multiplexed with the VEC[3:0] pins (see [Pin Multiplexing on page 13](#)). Setting the EBIO bit in the **ioc** register (bit 8) provides a full 8-bit BIO interface at the associated pins.

Signal Descriptions (continued)

External Memory Interface

The EMI is used to interface the DSP16210 to external memory and I/O devices. It supports read/write operations from/to X- and Y-memory spaces. The interface supports four external memory segments (EROM, ERAMHI, ERAMLO, and IO). The access times for these segments are programmable in the **mwait** register (see [Table 58 on page 101](#)).

AB[15:0] — External Memory Address Bus: Output. This 16-bit bus supplies the address for read or write operations to the external memory or I/O. If external memory is not being accessed, AB[15:0] retains its value from the last valid external access.

DB[15:0] — External Memory Data Bus: Input/Output. This 16-bit bidirectional data bus is used for read or write operations to the external memory or I/O. Write data activation can be delayed by setting WDDLY (bit 10 of the **ioc** register).

EXM — External Memory Boot Select: Input. This signal is latched into the device on the rising edge of RSTB. The value of EXM latched in determines which memory region (EROM/IROM) is used when the DSP16210 boots up in response to a device reset. If EXM is low, the DSP16210 boots from IROM. If EXM is high, the DSP16210 boots from EROM.

RWN — EMI Read/Write Not Indicator: Output. When a logic 1, this pin indicates that the data memory (Y) access is a read operation. When a logic 0, it indicates that the memory access is a write operation. This signal can be advanced by setting RWNADV (bit 3 of **ioc**).

EROM — External ROM Enable: Negative assertion output. When asserted, this signal indicates an access (either X or Y) to the EROM segment (see [Figure 5 on page 25](#) or [Figure 6 on page 26](#)). The leading edge is delayed by one CLK phase by setting the DENB0 field (bit 0 of **ioc**).

ERAMHI — External RAM High Enable: Negative assertion output. When asserted, this signal indicates a Y access to the external ERAMHI segment (see [Figure 6 on page 26](#)). The leading edge is delayed by one CLK phase by setting the DENB1 field (bit 1 of **ioc**).

ERAMLO — External RAM Low Enable: Negative assertion output. When asserted, this signal indicates a Y access to the external ERAMLO segment (see [Figure 6 on page 26](#)). The leading edge is delayed by one CLK phase by setting the DENB1 field (bit 1 of **ioc**).

IO — External I/O Enable: Negative assertion output. When asserted, this signal indicates an access to the external data memory-mapped IO segment (see [Figure 6 on page 26](#)). The leading edge is delayed by one CLK phase by setting the DENB2 field (bit 2 of **ioc**).

ERAM — External RAM Enable: Negative assertion output. When asserted, this signal indicates an access to either the ERAMHI or ERAMLO external memory segments. The leading edge is delayed by one CLK phase by setting the DENB1 field (bit 1 of **ioc**).

READY — External Memory Access

Acknowledge: Negative assertion input. The READY input pin permits an external device to extend the length of an EMI access cycle. The READY pin can be used if an external memory requires an access time greater than 15 cycles, the maximum value programmable in **mwait**. The DSP16210 internally synchronizes the READY pin to the processor clock (CLK). READY must be asserted at least five cycles (plus a setup time) prior to the end of the external memory operation. The DSP16210 adds the number of cycles that READY is asserted to the access time. The appropriate I/O access time field in **mwait** must be four or greater, or the READY pin is ignored.

ESIO Interface

The enhanced serial input/output port (ESIO) is a programmable, hardware-managed, double-buffered input/output port designed to support glueless multi-channel I/O processing on a TDM (time-division multiplex) highway. The ESIO communicates the input and output buffer status to the core using input buffer full (EIBF), output buffer empty (EOBE), input frame error (EIFE), output frame error (EOFE), and output collision (ECOL) interrupts. The ESIO external pin signals are described below:

EDI — ESIO Data Input: Serial data is latched on the falling edge of EIBC. Input is at CMOS level and has typically 0.7 V hysteresis.

EIFS — ESIO Input Frame Sync: Input. EIFS defines the beginning of a new input frame (frame mode) or serial data packet (simple mode). To suit a variety of system design requirements, EIFS can be internally inverted and/or delayed for one bit clock (under the control of bits ISLEV and ISDLY of the **ICR** register) to produce the internal input frame sync, IFS. Input is at CMOS level and has typically 0.7 V hysteresis.

Signal Descriptions (continued)**ESIO Interface** (continued)

EIBC — ESIO Input Bit Clock: Input. To suit a variety of system design requirements, EIBC can be internally inverted (under the control of the ILEV bit of the **ICR** register) to produce the internal input bit clock, IBC. Input is at CMOS level and has typically 0.7 V hysteresis.

EIBF — ESIO Input Buffer Full: Positive assertion output. When EIBF is high, the serial input buffer is full.

EDO — ESIO Data Output: Serial data (LSB-first) is driven onto EDO on the rising edge of OBC. The rising edge OFS indicates that the first bit of the serial output stream is driven onto the EDO pin on the next rising edge of OBE. EDO is programmed via **OCR[5]** to be either an open-drain output driver or a 3-state output driver. After reset, the driver is in the high-impedance state. This signal is at CMOS level.

EOFS — ESIO Output Frame Sync: Input. EOFS defines the beginning of a new output frame (frame mode) or the beginning of a serial output request (simple mode). To suit a variety of system design requirements, EOFS can be internally inverted (under the control of the OSLEV bit of the **OCR** register) to produce the internal output frame sync, OFS. Input is at CMOS level and has typically 0.7 V hysteresis.

EOBC — ESIO Output Bit Clock: Input. To suit a variety of system design requirements, EOBC can be internally inverted (under the control of **OCR** register bit OLEV) to produce the internal output bit clock, OBC. Input is at CMOS level and has typically 0.7 V hysteresis.

EOEB — ESIO Data Output Enable: Negative assertion input. When EOEB is high, EDO is forced into high impedance. Input is at CMOS level and has typically 0.7 V hysteresis.

EOBE — ESIO Output Buffer Empty: Positive assertion output. When EOBE is high, the serial output buffer is empty.

SSIO Interface

The SSIO interface pins implement a full-featured serial I/O channel.

DI — SSIO Data Input: Serial data is latched on the rising edge of ICK, either LSB or MSB first, according to the **SSIOC** register MSB field (see [Table 70 on page 110](#)).

ICK — SSIO Input Clock: Input/Output. The clock for serial input data. In active mode, ICK is an output; in passive mode, ICK is an input, according to the **SSIOC** register ICK field (see [Table 70 on page 110](#)). Input has typically 0.7 V hysteresis.

ILD — SSIO Input Load: Input/Output. The clock for loading the input buffer. A falling edge of ILD indicates the beginning of a serial input word. In active mode, ILD is an output; in passive mode, ILD is an input, according to the **SSIOC** register ILD field (see [Table 70 on page 110](#)). Input has typically 0.7 V hysteresis.

IBF — SSIO Input Buffer Full: Positive assertion output. IBF is asserted when the input register, **SSDX(in)**, is filled. IBF is cleared when MIOU1 transfers **SSDX(in)** to IORAM1. IBF is also cleared by asserting RSTB.

DO — SSIO Data Output: The serial data output either LSB or MSB first (according to the **SSIOC** register MSB field). DO normally changes on the rising edges of OCK but can be programmed to change on falling edges, as determined by the DODLY field of the **SSIOC** register. DO is 3-stated when DOEN is high.

DOEN — SSIO Data Output Enable: Negative assertion input. DO is enabled only if DOEN is low.

OCK — SSIO Output Clock: Input/Output. The clock for serial output data. In active mode, OCK is an output; in passive mode, OCK is an input, according to the **SSIOC** register OCK field (see [Table 70 on page 110](#)). Input has typically 0.7 V hysteresis.

OLD — SSIO Output Load: Input/Output. A falling edge of OLD indicates the beginning of a serial output word. In active mode, OLD is an output; in passive, OLD is an input, according to the **SSIOC** register OLD field (see [Table 70 on page 110](#)). Input has typically 0.7 V hysteresis.

OBE — SSIO Output Buffer Empty: Positive assertion output. OBE is asserted when the output register, **SSDX(out)**, is emptied (moved to the output shift register for transmission). OBE is cleared when MIOU1 fills **SSDX(out)**.

SYNC — SSIO Bit Counter Sync: Input. A falling edge of SYNC causes the resynchronization of the active ILD and OLD generators. Input has typically 0.7 V hysteresis. If unused, this pin must be pulled low through a 10 k Ω resistor to Vss.

Signal Descriptions (continued)

PHIF16 Interface

The PHIF16 interface implements a full 16-bit host interface to standard microprocessors.

PB[15:0] — PHIF16 Parallel I/O Data Bus: Input/Output. This 16-bit bidirectional bus is used to input data to, or output data from, the PHIF16. It can be configured as an 8-bit external bus where PB[15:8] are 3-stated.

PCSN — PHIF16 Peripheral Chip Select Not: Negative assertion input. If PCSN is low, the data strobes PIDS and PODS are enabled. If PCSN is high, the DSP16210 ignores any activity on PIDS and PODS.

PBSEL — PHIF16 Peripheral Byte Select: Input. The assertion level is configurable in software via **PHIFC[3]**. Selects the high or low byte of PDX available for host accesses (8-bit external mode).

PSTAT — PHIF16 Peripheral Status Register Select: Input. If a logic 0, the PHIF16 outputs the PDX(out) register on the PB bus. If a logic 1, the PHIF16 outputs the contents of the **PSTAT** register on PB[7:0].

PIDS — PHIF16 Input Data Strobe: Input. Supports either *Intel* or *Motorola* protocols. Configured by the **PHIFC[PSTROBE]** control register bit.

In *Intel* mode: Negative assertion. PIDS is pulled low by an external device to indicate that data is available on the PB bus. The DSP latches data on the PB bus on the rising edge (low-to-high transition) of PIDS or PCSN, whichever comes first.

In *Motorola* mode: PIDS (PRWN) functions as a read/write strobe. The external device sets PIDS (PRWN) to a logic 0 to indicate that data is available on the PB bus (write operation by the external device). A logic 1 on PIDS (PRWN) indicates an external read operation by the external device.

PODS — PHIF16 Output Data Strobe: Input. Software-configurable to support both *Intel* and *Motorola* protocols:

In *Intel* mode: Negative assertion. When PODS is pulled low by an external device, the DSP16210 places the contents of the parallel output register, PDX(out), onto the PB bus.

In *Motorola* mode: Software-configurable assertion level. The external device uses PODS (PDS) as its data strobe for both read and write operations.

PIBF — PHIF16 Input Buffer Full: Output. The assertion level is configurable in software (**PHIFC[4]**). This flag is cleared after reset, indicating an empty input register PDX(in). PIBF is set immediately after the rising edge of PIDS or PCSN, indicating that data has been latched into the PDX(in) register. When the DSP16210 reads the contents of this register, emptying the buffer, this flag is cleared. Configured in software (**PHIFC[5]**), PIBF can become the logical OR of the PIBF and POBE flags.

POBE — PHIF16 Output Buffer Empty: Output. The assertion level is configurable in software (**PHIFC[4]**). This flag is set after reset, indicating an empty output register PDX(out). POBE is set immediately after the rising edge of PODS or PCSN, indicating that the data in PDX(out) has been driven onto the PB bus. When the DSP16210 writes to PDX(out), filling the buffer, this flag is cleared.

JTAG Test Interface

The JTAG test interface has features that allow programs and data to be downloaded into the DSP via four pins. This provides extensive test and diagnostic capability. In addition, internal circuitry allows the device to be controlled through the JTAG port to provide on-chip, in-circuit emulation. Lucent Technologies provides hardware and software tools to interface to the on-chip HDS via the JTAG port.

Note: The DSP16210 provides all JTAG/*IEEE* 1149.1 standard test capabilities including boundary scan.

TDI — JTAG Test Data Input: Serial input signal. All serial-scanned data and instructions are input on this pin. This pin has an internal pull-up resistor.

TDO — JTAG Test Data Output: Serial output signal. Serial-scanned data and status bits are output on this pin.

TMS — JTAG Test Mode Select: Mode control signal that, when combined with TCK, controls the scan operations. This pin has an internal pull-up resistor.

TCK — JTAG Test Clock: Serial shift clock. This signal clocks all data into the port through TDI, and out of the port through TDO, and controls the port by latching the TMS signal inside the state-machine controller.

TRST — JTAG TAP Controller Reset: Negative assertion. Test reset. When asserted low, resets JTAG TAP controller. In an application environment, this pin must be asserted prior to or concurrent with RSTB.

DSP16210 Boot Routines

There are many subroutines in the IROM of the DSP16210 that allow the user to perform various functions. The primary function of these routines is to download code and data to the internal DPRAM and external memory from the PHIF16 or EMI ports. Other functions include memory test routines, a routine to enable or disable the PLL, and reserved production test routines. Once the downloads and/or other functions are completed, the user can select a boot routine that branches to the beginning of either the DPRAM or EROM memory segment.

After reset with the EXM pin low, the DSP16210 begins executing from location 0x20000 in IROM, which contains a branch to location 0x20400. The program at this location configures the parallel host interface port, PHIF16, for a single, 8-bit *Intel* style transfer (refer to [Parallel Host Interface \(PHIF16\) beginning on page 49](#)), enables INT3, and leaves the PLL disabled. The program then waits for a host device interfaced to the PHIF16 port to write an 8-bit command onto PB[7:0] and strobe PIDS. The program inputs this value and decodes it to select the appropriate boot routine. To terminate any routine, the host can assert the INT3 pin; otherwise, the routine completes its function.

At the completion or termination (interruption) of a routine, a value of 0xED is written out the PHIF16 port. In response to the POBE flag, the host must read this value from the port in order for the boot code to continue. The program flow is stalled until this port is read. After this handshake byte has been read, the PHIF16 port is returned to 8-bit *Intel* style mode and waits for the next command.

Once the user has completed the routines of interest, e.g., download of code and data or tested memory, the host can direct the DSP16210 to begin execution of user code from either the DPRAM (location 0x00000) or EROM (location 0x80000) XMAP locations.

Note: Upon exiting the boot code, the following core registers are not reinitialized to their reset states as defined in the *DSP16000 Digital Signal Processor Core Information Manual*: **inc0**, **rb0**, **re0**, **vbase**, **cloop**, **cstate**. With the exception of the **ioc** and **PHIFC** registers, none of the peripheral registers are reinitialized to their reset states as defined in [Table 78 on page 114](#). It is recommended that the user code immediately globally disable interrupts by executing a **di** instruction and clear all pending interrupts by clearing **ins** (`ins = 0xffff`).

DSP16210 Boot Routines (continued)

Commands

Table 81 is a summary of the 8-bit PHIF16 command codes and their associated boot routines. Boot routines that use external memory first configure the **mwait** register as shown in the table. Boot routines that use the PHIF16 port configure the port as shown in the table.

Table 81. Command Encoding for Boot Routines

| Command Code | mwait Setting | Function/Download | | | | | | | |
|--------------|---------------|-------------------|-------------|---------------|------------------|-------------|-------------|---------------|------------------|
| | | Download From | Download To | Configuration | | | | | MIOU0 DMA Block‡ |
| | | | | PHIF16† | | | | | |
| | | | | External Bus | Logical Transfer | Mode | PODS/PDS | Byte-Swapping | |
| 0x18 | 0x0030 | ERAMHI§ | DPRAM (60K) | — | — | — | — | — | — |
| 0x58 | | ERAMLO§ | | | | | | | |
| 0x98 | | ERAMLO§ | | | | | | | |
| 0x19 | 0x0111 | IO§ | DPRAM (60K) | — | — | — | — | — | — |
| 0x59 | 0x0222 | | | | | | | | |
| 0x99 | 0x0444 | | | | | | | | |
| 0xD9 | 0x0FFF | | | | | | | | |
| 0x1B | 0x0111 | EROM§ | DPRAM (60K) | — | — | — | — | — | — |
| 0x5B | 0x0222 | | | | | | | | |
| 0x9B | 0x0444 | | | | | | | | |
| 0xDB | 0x0FFF | | | | | | | | |
| 0x01 | — | PHIF16 | DPRAM (60K) | 8-bit | 8-bit | Motorola | active-low | — | 1 word |
| 0x02 | | | | | | active-high | | | |
| 0x03 | | | | 8-bit | 16-bit | Intel | active-low | No | |
| 0x06 | | | | | | Motorola | active-low | | |
| 0x07 | | | | | | active-high | | | |
| 0x08 | | | | Intel | active-low | No | | | |
| 0x09 | | | | 16-bit | 16-bit | | Motorola | active-low | |
| 0x0A | | | | | | | active-high | | |
| 0x0B | | | | Intel | active-low | No | | | |
| 0x0C | | | | Motorola | active-low | | 64 words | | |
| 0x0D | | | | active-high | | | | | |
| 0x0E | | | | Intel | active-low | Yes | | | |
| 0x16 | | | | Motorola | active-low | | 1 word | | |
| 0x17 | | | | active-high | | | | | |
| 0x1C | | | | Motorola | active-low | Yes | | | |
| 0x1D | | | | active-high | | | | | |
| 0x0F | | | | Motorola | active-low | No | | | |
| 0x10 | | | | active-high | | | | | |
| 0x11 | | | | Intel | active-low | | 512 words | | |

† The boot routine configures the PHIF16 by writing to the **PHIFC** register. Specifically, the external bus configuration, logical transfer size, and byte swapping are controlled by the **PMODE** and **PCFIG** fields, the mode is controlled by the **PSTROBE** field, and the **PODS/PDS** active-low/high configuration is controlled by the **PSTRB** field. After the download is complete, the boot routine returns the PHIF16 to its initial state (configures it for *Intel* mode with an 8-bit external bus and 8-bit logical transfers).

‡ This is the size of each input DMA transfer that the boot routine directs the MIOU0 to perform without core intervention. MIOU0 performs input DMA from the PHIF16 block. The boot routine configures the input block size by programming the **ILENO** register.

§ The first 60 Kword locations of the segment are copied into the DPRAM.

DSP16210 Boot Routines (continued)

Commands (continued)

Table 81. Command Encoding for Boot Routines (continued)

| Command Code | mwait Setting | Function/Download | | | | | | | |
|--------------|---------------|-------------------|-------------|---------------|------------------|-------------|------------|---------------|------------------|
| | | Download From | Download To | Configuration | | | | | MIOU0 DMA Block‡ |
| | | | | PHIF16† | | | | | |
| | | | | External Bus | Logical Transfer | Mode | PODS/PDS | Byte-Swapping | |
| 0x20 | 0x0111 | PHIF16 | EROM (64K) | 8-bit | 8-bit | Motorola | active-low | — | 1 word |
| 0x21 | | | | | | active-high | | | |
| 0x22 | | | | | | Intel | active-low | | |
| 0x23 | | | | 8-bit | 16-bit | Motorola | active-low | No | |
| 0x24 | | | | | | active-high | | | |
| 0x25 | | | | | | Intel | active-low | | |
| 0x26 | | | | 16-bit | 16-bit | Motorola | active-low | No | |
| 0x27 | | | | | | active-high | | | |
| 0x28 | | | | | | Intel | active-low | | |
| 0x60 | 0x0222 | PHIF16 | EROM (64K) | 8-bit | 8-bit | Motorola | active-low | — | 1 word |
| 0x61 | | | | | | active-high | | | |
| 0x62 | | | | | | Intel | active-low | | |
| 0x63 | | | | 8-bit | 16-bit | Motorola | active-low | No | |
| 0x64 | | | | | | active-high | | | |
| 0x65 | | | | | | Intel | active-low | | |
| 0x66 | | | | 16-bit | 16-bit | Motorola | active-low | No | |
| 0x67 | | | | | | active-high | | | |
| 0x68 | | | | | | Intel | active-low | | |
| 0xA0 | 0x0444 | PHIF16 | EROM (64K) | 8-bit | 8-bit | Motorola | active-low | — | 1 word |
| 0xA1 | | | | | | active-high | | | |
| 0xA2 | | | | | | Intel | active-low | | |
| 0xA3 | | | | 8-bit | 16-bit | Motorola | active-low | No | |
| 0xA4 | | | | | | active-high | | | |
| 0xA5 | | | | | | Intel | active-low | | |
| 0xA6 | | | | 16-bit | 16-bit | Motorola | active-low | No | |
| 0xA7 | | | | | | active-high | | | |
| 0xA8 | | | | | | Intel | active-low | | |
| 0xE0 | 0x0FFF | PHIF16 | EROM (64K) | 8-bit | 8-bit | Motorola | active-low | — | 1 word |
| 0xE1 | | | | | | active-high | | | |
| 0xE2 | | | | | | Intel | active-low | | |
| 0xE3 | | | | 8-bit | 16-bit | Motorola | active-low | No | |
| 0xE4 | | | | | | active-high | | | |
| 0xE5 | | | | | | Intel | active-low | | |
| 0xE6 | | | | 16-bit | 16-bit | Motorola | active-low | No | |
| 0xE7 | | | | | | active-high | | | |
| 0xE8 | | | | | | Intel | active-low | | |

† The boot routine configures the PHIF16 by writing to the **PHIFC** register. Specifically, the external bus configuration, logical transfer size, and byte swapping are controlled by the **PMODE** and **PCFIG** fields, the mode is controlled by the **PSTROBE** field, and the **PODS/PDS** active-low/high configuration is controlled by the **PSTRB** field. After the download is complete, the boot routine returns the PHIF16 to its initial state (configures it for *Intel* mode with an 8-bit external bus and 8-bit logical transfers).

‡ This is the size of each input DMA transfer that the boot routine directs the MIOU0 to perform without core intervention. MIOU0 performs input DMA from the PHIF16 block. The boot routine configures the input block size by programming the **ILENO** register.

§ The first 60 Kword locations of the segment are copied into the DPRAM.

DSP16210 Boot Routines (continued)

Commands (continued)

Table 81. Command Encoding for Boot Routines (continued)

| Command Code | mwait Setting | Function/Download | | | | | | | | |
|--------------|---------------|-------------------|-------------|---------------|------------------|----------|-------------|---------------|------------------|-----------|
| | | Download From | Download To | Configuration | | | | | MIOU0 DMA Block‡ | |
| | | | | PHIF16† | | | | | | |
| | | | | External Bus | Logical Transfer | Mode | PODS/PDS | Byte-Swapping | | |
| 0x29 | 0x0111 | PHIF16 | EROM (64K) | 16-bit | 16-bit | Motorola | active-low | No | 64 words | |
| 0x2A | | | | | | | active-high | | | |
| 0x2B | | | | | | Intel | active-low | | | |
| 0x2E | | | | | | Motorola | active-low | Yes | | 1 word |
| 0x2F | | | | | | | active-high | | | |
| 0x32 | | | | | | Motorola | active-low | Yes | | 64 words |
| 0x34 | | | | | | | active-high | | | |
| 0x35 | | | | | | Motorola | active-low | No | | 512 words |
| 0x36 | | | | | | | active-high | | | |
| 0x37 | | | | | | Intel | active-low | | | |
| 0x69 | 0x0222 | PHIF16 | EROM (64K) | 16-bit | 16-bit | Motorola | active-low | No | 64 words | |
| 0x6A | | | | | | | active-high | | | |
| 0x6B | | | | | | Intel | active-low | | | |
| 0x6E | | | | | | Motorola | active-low | Yes | | 1 word |
| 0x6F | | | | | | | active-high | | | |
| 0x72 | | | | | | Motorola | active-low | Yes | | 64 words |
| 0x74 | | | | | | | active-high | | | |
| 0x75 | | | | | | Motorola | active-low | No | | 512 words |
| 0x76 | | | | | | | active-high | | | |
| 0x77 | | | | | | Intel | active-low | | | |
| 0xA9 | 0x0444 | PHIF16 | EROM (64K) | 16-bit | 16-bit | Motorola | active-low | No | 64 words | |
| 0xAA | | | | | | | active-high | | | |
| 0xAB | | | | | | Intel | active-low | | | |
| 0xAE | | | | | | Motorola | active-low | Yes | | 1 word |
| 0xAF | | | | | | | active-high | | | |
| 0xB2 | | | | | | Motorola | active-low | Yes | | 64 words |
| 0xB4 | | | | | | | active-high | | | |
| 0xB5 | | | | | | Motorola | active-low | No | | 512 words |
| 0xB6 | | | | | | | active-high | | | |
| 0xB7 | | | | | | Intel | active-low | | | |

† The boot routine configures the PHIF16 by writing to the **PHIFC** register. Specifically, the external bus configuration, logical transfer size, and byte swapping are controlled by the PMODE and PCFIG fields, the mode is controlled by the PSTROBE field, and the PODS/PDS active-low/high configuration is controlled by the PSTRB field. After the download is complete, the boot routine returns the PHIF16 to its initial state (configures it for *Intel* mode with an 8-bit external bus and 8-bit logical transfers).

‡ This is the size of each input DMA transfer that the boot routine directs the MIOU0 to perform without core intervention. MIOU0 performs input DMA from the PHIF16 block. The boot routine configures the input block size by programming the **I LENO** register.

§ The first 60 Kword locations of the segment are copied into the DPRAM.

DSP16210 Boot Routines (continued)

Commands (continued)

Table 81. Command Encoding for Boot Routines (continued)

| Command Code | mwait Setting | Function/Download | | | | | | | | |
|--------------|---------------|---|------------------------|---------------|------------------|----------|-------------|---------------|------------------|-----------|
| | | Download From | Download To | Configuration | | | | | MIOU0 DMA Block‡ | |
| | | | | PHIF16† | | | | | | |
| | | | | External Bus | Logical Transfer | Mode | PODS/PDS | Byte-Swapping | | |
| 0xE9 | 0x0FFF | PHIF16 | EROM (64K) | 16-bit | 16-bit | Motorola | active-low | No | 64 words | |
| 0xEA | | | | | | | active-high | | | |
| 0xEB | | | | | | Intel | active-low | | | |
| 0xEE | | | | | | Motorola | active-low | Yes | | 1 word |
| 0xEF | | | | | | | active-high | | | |
| 0xF2 | | | | | | Motorola | active-low | Yes | | 64 words |
| 0xF4 | | | | | | | active-high | | | |
| 0xF5 | | | | | | Motorola | active-low | No | | 512 words |
| 0xF6 | | | | | | | active-high | | | |
| 0xF7 | | | | | | Intel | active-low | | | |
| 0x12 | 0x0030 | PHIF16 | ERAMLO & ERAMHI (128K) | 16-bit | 16-bit | Motorola | active-high | No | 512 words | |
| 0x52 | | | | | | | active-low | | | |
| 0x92 | | | | | | Intel | active-low | | | |
| 0x13 | 0x0030 | | ERAMLO | | | Motorola | active-high | | | |
| 0x53 | | | | | | | active-low | | | |
| 0x93 | | | | | | Intel | active-low | | | |
| 0x14 | 0x0030 | | ERAMHI | | | Motorola | active-high | | | |
| 0x54 | | | | | | | active-low | | | |
| 0x94 | | | | | | Intel | active-low | | | |
| 0x39 | 0x0111 | | IO | | | Motorola | active-low | | | |
| 0x3B | | | | | | | active-high | | | |
| 0x3D | | | | | | Intel | active-low | | | |
| 0x79 | 0x0222 | | | | | Motorola | active-low | | | |
| 0x7B | | | | | | | active-high | | | |
| 0x7D | | | | | | Intel | active-low | | | |
| 0xB9 | 0x0444 | | | | | Motorola | active-low | | | |
| 0xBB | | | | | | | active-high | | | |
| 0xBD | | | | | | Intel | active-low | | | |
| 0xF9 | 0x0FFF | | | | | Motorola | active-low | | | |
| 0xFB | | | | | | | active-high | | | |
| 0xFD | | | | | | Intel | active-low | | | |
| 0x04 | — | Test internal 1K IORAM0 memory segment—write result word to ar3 (0x0FAB for passed and 0x0BAD for failed). | | | | | | | | |
| 0x05 | — | Test internal 1K IORAM1 memory segment—write result word to ar3 (0x0FAB for passed and 0x0BAD for failed). | | | | | | | | |
| 0x30 | — | Test internal 60K DPRAM memory segment—write result word to ar3 (0x0FAB for passed and 0x0BAD for failed). | | | | | | | | |

† The boot routine configures the PHIF16 by writing to the **PHIFC** register. Specifically, the external bus configuration, logical transfer size, and byte swapping are controlled by the **PMODE** and **PCFIG** fields, the mode is controlled by the **PSTROBE** field, and the **PODS/PDS** active-low/high configuration is controlled by the **PSTRB** field. After the download is complete, the boot routine returns the PHIF16 to its initial state (configures it for *Intel* mode with an 8-bit external bus and 8-bit logical transfers).

‡ This is the size of each input DMA transfer that the boot routine directs the MIOU0 to perform without core intervention. MIOU0 performs input DMA from the PHIF16 block. The boot routine configures the input block size by programming the **ILENO** register.

§ The first 60 Kword locations of the segment are copied into the DPRAM.

DSP16210 Boot Routines (continued)

Commands (continued)

Table 81. Command Encoding for Boot Routines (continued)

| Command Code | mwait Setting | Function/Download | | | | | | | |
|--------------|---------------|--|-------------|---------------------|------------------|------|----------|---------------|------------------------------|
| | | Download From | Download To | Configuration | | | | | MIOU0 DMA Block [‡] |
| | | | | PHIF16 [†] | | | | | |
| | | | | External Bus | Logical Transfer | Mode | PODS/PDS | Byte-Swapping | |
| 0x70 | — | Test internal CACHE (62 words) memory segment—write result word to ar3 (0x0FAB for passed and 0x0BAD for failed). | | | | | | | |
| 0x31 | 0x0111 | Test external 64K ERAMLO memory segment—write result word to ar3 (0x0FAB for passed and 0x0BAD for failed). | | | | | | | |
| 0x71 | 0x0222 | | | | | | | | |
| 0xB1 | 0x0444 | | | | | | | | |
| 0xF1 | 0x0FFF | | | | | | | | |
| 0x33 | 0x0111 | Test external 64K ERAMHI memory segment—write result word to ar3 (0x0FAB for passed and 0x0BAD for failed). | | | | | | | |
| 0x73 | 0x0222 | | | | | | | | |
| 0xB3 | 0x0444 | | | | | | | | |
| 0xF3 | 0x0FFF | | | | | | | | |
| 0x1A | 0x0111 | Test external 128K ERAMLO and ERAMHI memory segments—write result word to ar3 (0x0FAB for passed and 0x0BAD for failed). | | | | | | | |
| 0x5A | 0x0222 | | | | | | | | |
| 0x9A | 0x0444 | | | | | | | | |
| 0xDA | 0x0FFF | | | | | | | | |
| 0x38 | 0x0111 | Test external 64K EROM memory segment—write result word to ar3 (0x0FAB for passed and 0x0BAD for failed). | | | | | | | |
| 0x78 | 0x0222 | | | | | | | | |
| 0xB8 | 0x0444 | | | | | | | | |
| 0xF8 | 0x0FFF | | | | | | | | |
| 0x3F | 0x0111 | Test external 64K IO memory segment—write result word to ar3 (0x0FAB for passed and 0x0BAD for failed). | | | | | | | |
| 0x7F | 0x0222 | | | | | | | | |
| 0xBF | 0x0444 | | | | | | | | |
| 0xFF | 0x0FFF | | | | | | | | |
| 0x2C | — | Perform checksum on 60K DPRAM. Write the checksum result (two 16-bit words) to the PHIF16 port in <i>Intel</i> 16-bit mode. The purpose of the checksum routine is to check that code has been downloaded properly into the DPRAM segment. After the host reads the two checksum words, return the PHIF16 to <i>Intel</i> 8-bit mode and write the handshake byte 0xED to the PHIF16 port. | | | | | | | |
| 0x2D | 0x0111 | Perform checksum on 64K EROM. Write the checksum result (two 16-bit words) to the PHIF16 port in <i>Intel</i> 16-bit mode. The purpose of the checksum routine is to check that code has been downloaded properly into the EROM segment. After the host reads the two checksum words, return the PHIF16 to <i>Intel</i> 8-bit mode and write the handshake byte 0xED to the PHIF16 port. | | | | | | | |
| 0x6D | 0x0222 | | | | | | | | |
| 0xAD | 0x0444 | | | | | | | | |
| 0xED | 0x0FFF | | | | | | | | |
| 0x15 | — | Copy word in ar3 (result of the previously run memory test—0x0FAB for passed and 0x0BAD for failed) to the PHIF16 port in <i>Motorola</i> 16-bit mode with active-high PDS. | | | | | | | |
| 0x55 | — | Copy word in ar3 (result of the previously run memory test—0x0FAB for passed and 0x0BAD for failed) to the PHIF16 port in <i>Motorola</i> 16-bit mode with active-low PDS. | | | | | | | |
| 0x95 | — | Copy word in ar3 (result of the previously run memory test—0x0FAB for passed and 0x0BAD for failed) to the PHIF16 port in <i>Intel</i> 16-bit mode. | | | | | | | |
| 0xD5 | — | Copy word in ar3 (result of the previously run memory test—0x0FAB for passed and 0x0BAD for failed) to the PHIF16 port in <i>Motorola</i> 16-bit mode with active-high PDS. | | | | | | | |

† The boot routine configures the PHIF16 by writing to the **PHIFC** register. Specifically, the external bus configuration, logical transfer size, and byte swapping are controlled by the PMODE and PCFIG fields, the mode is controlled by the PSTROBE field, and the PODS/PDS active-low/high configuration is controlled by the PSTRB field. After the download is complete, the boot routine returns the PHIF16 to its initial state (configures it for *Intel* mode with an 8-bit external bus and 8-bit logical transfers).

‡ This is the size of each input DMA transfer that the boot routine directs the MIOU0 to perform without core intervention. MIOU0 performs input DMA from the PHIF16 block. The boot routine configures the input block size by programming the **I LENO** register.

§ The first 60 Kword locations of the segment are copied into the DPRAM.

DSP16210 Boot Routines (continued)

Commands (continued)

Table 81. Command Encoding for Boot Routines (continued)

| Command Code | mwait Setting | Function/Download | | | | | | | |
|--------------|---------------|--|-------------|---------------------|------------------|------|----------|---------------|------------------------------|
| | | Download From | Download To | Configuration | | | | | MIOU0 DMA Block [‡] |
| | | | | PHIF16 [†] | | | | | |
| | | | | External Bus | Logical Transfer | Mode | PODS/PDS | Byte-Swapping | |
| 0x3A | — | Reserved for production test. | | | | | | | |
| 0x7A | — | | | | | | | | |
| 0xBA | — | | | | | | | | |
| 0x1F | — | | | | | | | | |
| 0x5F | — | | | | | | | | |
| 0x9F | — | | | | | | | | |
| 0xDF | — | | | | | | | | |
| 0x1E | — | Disable PLL; CLK = CKI. | | | | | | | |
| 0x5E | — | Enable PLL; CLK = 2 × CKI (25 MHz ≤ CKI ≤ 50 MHz). | | | | | | | |
| 0x9E | — | Enable PLL; CLK = 5 × CKI (10 MHz ≤ CKI ≤ 20 MHz). | | | | | | | |
| 0xDE | — | Enable PLL; CLK = 10 × CKI (5 MHz ≤ CKI ≤ 10 MHz). | | | | | | | |
| 0x3C | 0x0111 | Execute from EROM (branch to location 0x80000). | | | | | | | |
| 0x7C | 0x0222 | | | | | | | | |
| 0xBC | 0x0444 | | | | | | | | |
| 0xFC | 0x0FFF | | | | | | | | |
| 0x3E | — | Execute from DPRAM (branch to location 0x00000). | | | | | | | |

† The boot routine configures the PHIF16 by writing to the **PHIFC** register. Specifically, the external bus configuration, logical transfer size, and byte swapping are controlled by the PMODE and PCFIG fields, the mode is controlled by the PSTROBE field, and the PODS/PDS active-low/high configuration is controlled by the PSTRB field. After the download is complete, the boot routine returns the PHIF16 to its initial state (configures it for *Intel* mode with an 8-bit external bus and 8-bit logical transfers).

‡ This is the size of each input DMA transfer that the boot routine directs the MIOU0 to perform without core intervention. MIOU0 performs input DMA from the PHIF16 block. The boot routine configures the input block size by programming the **I LENO** register.

§ The first 60 Kword locations of the segment are copied into the DPRAM.

Device Characteristics

Absolute Maximum Ratings

Stresses in excess of the absolute maximum ratings can cause permanent damage to the device. These are absolute stress ratings only. Functional operation of the device is not implied at these or any other conditions in excess of those given in the operational sections of the data sheet. Exposure to absolute maximum ratings for extended periods can adversely affect device reliability.

External leads can be bonded and soldered safely at temperatures of up to 300 °C.

Table 82. Absolute Maximum Ratings

| Parameter | Min | Max | Unit |
|---|-----------------------|-----------------------|------|
| Voltage Range on VDD or VDDA with Respect to Ground | -0.5 | +4.6 | V |
| Voltage Range on Any Signal Pin | V _{SS} - 0.5 | V _{DD} + 0.5 | V |
| Power Dissipation | — | 1 | W |
| Junction Temperature (T _J) | -40 | +125 | °C |
| Storage Temperature Range | -65 | +150 | °C |

Handling Precautions

All MOS devices must be handled with certain precautions to avoid damage due to the accumulation of static charge. Although input protection circuitry has been incorporated into the devices to minimize the effect of this static buildup, proper precautions should be taken to avoid exposure to electrostatic discharge during handling and mounting. Lucent Technologies employs a human-body model for ESD-susceptibility testing. Since the failure voltage of electronic devices is dependent on the current, voltage, and hence, the resistance and capacitance, it is important that standard values be employed to establish a reference by which to compare test data. Values of 100 pF and 1500 Ω are the most common and are the values used in the Lucent Technologies human-body model test circuit. The breakdown voltage for the DSP16210 is greater than 2000 V.

Recommended Operating Conditions

Table 83. Recommended Operating Conditions

| Maximum Internal Clock (CLK) Frequency | Minimum Internal Clock (CLK) Period T | Package | Supply Voltage V _{DD} (V) | | Ambient Temperature T _A (°C) | |
|--|---------------------------------------|---------|------------------------------------|-----|---|-----|
| | | | Min | Max | Min | Max |
| 100 MHz | 10 ns | TQFP | 3.0 | 3.6 | -40 | 85 |

The ratio of the instruction cycle rate to the input clock frequency is 1:1 without the PLL and M/2N with the PLL selected (see [Clock Synthesis beginning on page 56](#)). **The maximum input clock (CKI pin) frequency is 50 MHz. The PLL must be used when an internal clock frequency greater than 50 MHz is required.**

Device Characteristics (continued)

Recommended Operating Conditions (continued)

Package Thermal Considerations

The recommended operating temperature previously specified is based on the maximum power, package type, and maximum junction temperature. The following equations describe the relationship between these parameters. If the applications' maximum power is less than the worst-case value, this relationship determines a higher maximum ambient temperature or the maximum temperature measured at top dead center of the package.

$$T_A = T_J - P \times \Theta_{JA}$$

$$T_{TDC} = T_J - P \times \Theta_{J-TDC}$$

where T_A is the still-air-ambient temperature and T_{TDC} is the temperature measured by a thermocouple at the top dead center of the package.

Table 84. Package Thermal Considerations

| Device Package | Parameter | Value | Unit |
|----------------|--|-------|------|
| 144-pin TQFP | Maximum Junction Temperature (T_J) | 115 | °C |
| 144-pin TQFP | Maximum Thermal Resistance in Still-Air-Ambient (Θ_{JA}) | 29.5 | °C/W |
| 144-pin TQFP | Maximum Thermal Resistance, Junction to Top Dead Center (Θ_{J-TDC}) | 4 | °C/W |

WARNING: Due to package thermal constraints, proper precautions in the user's application should be taken to avoid exceeding the maximum junction temperature of 115 °C. Otherwise, the device performance is adversely affected.

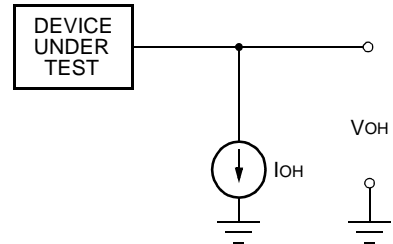
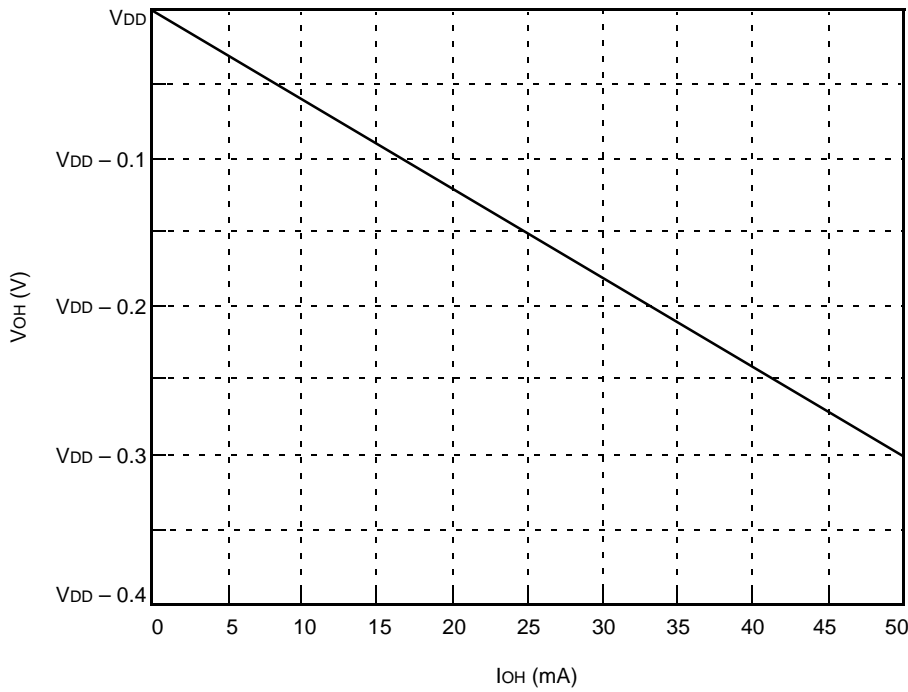
Electrical Characteristics and Requirements

Electrical characteristics refer to the behavior of the device under specified conditions. Electrical requirements refer to conditions imposed on the user for proper operation of the device. The parameters below are valid for the conditions described in the previous section, Recommended Operating Conditions.

Table 85. Electrical Characteristics and Requirements

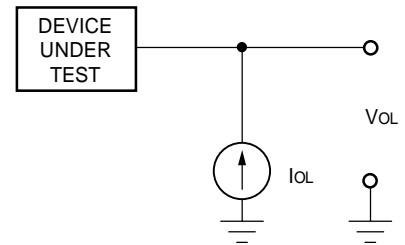
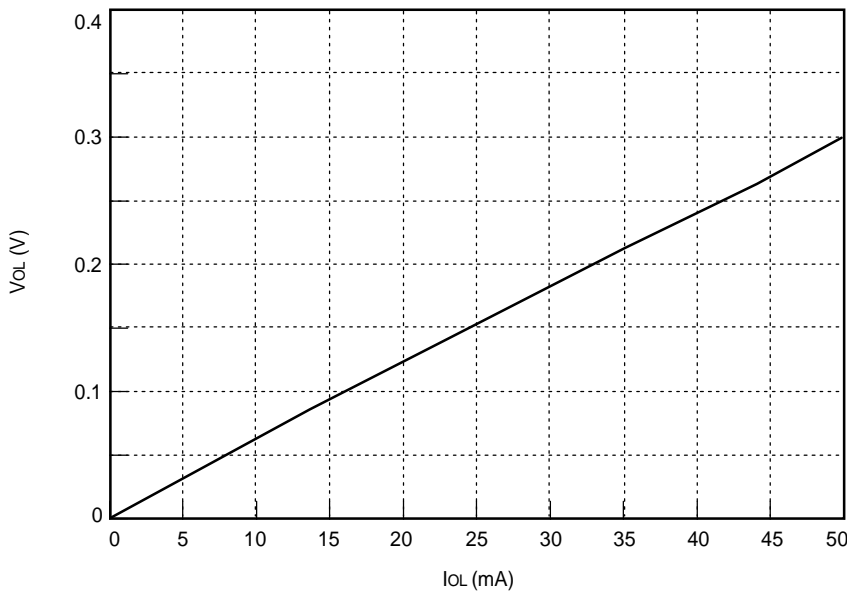
| Parameter | Symbol | Min | Max | Unit |
|--|-----------|----------------|----------------|---------|
| Input Voltage: | | | | |
| Low | V_{IL} | -0.3 | $0.3 * V_{DD}$ | V |
| High | V_{IH} | $0.7 * V_{DD}$ | $V_{DD} + 0.3$ | V |
| Input Current (except TMS, TDI): | | | | |
| Low ($V_{IL} = 0$ V, $V_{DD} = 3.6$ V) | I_{IL} | -5 | — | μ A |
| High ($V_{IH} = 3.6$ V, $V_{DD} = 3.6$ V) | I_{IH} | — | 5 | μ A |
| Input Current (TMS, TDI): | | | | |
| Low ($V_{IL} = 0$ V, $V_{DD} = 3.6$ V) | I_{IL} | -100 | — | μ A |
| High ($V_{IH} = 3.6$ V, $V_{DD} = 3.6$ V) | I_{IH} | — | 5 | μ A |
| Output Low Voltage: | | | | |
| Low ($I_{OL} = 2.0$ mA) | V_{OL} | — | 0.4 | V |
| Low ($I_{OL} = 50$ μ A) | V_{OL} | — | 0.2 | V |
| Output High Voltage: | | | | |
| High ($I_{OH} = -2.0$ mA) | V_{OH} | $V_{DD} - 0.7$ | — | V |
| High ($I_{OH} = -50$ μ A) | V_{OH} | $V_{DD} - 0.2$ | — | V |
| Output 3-State Current: | | | | |
| Low ($V_{DD} = 3.6$ V, $V_{IL} = 0$ V) | I_{OZL} | -10 | — | μ A |
| High ($V_{DD} = 3.6$ V, $V_{IH} = 3.6$ V) | I_{OZH} | — | 10 | μ A |
| Input Capacitance | CI | — | 5 | pF |

Electrical Characteristics and Requirements (continued)



5-4007(C).a

Figure 26. Plot of V_{OH} vs. I_{OH} Under Typical Operating Conditions



5-4008(C).b

Figure 27. Plot of V_{OL} vs. I_{OL} Under Typical Operating Conditions

Electrical Characteristics and Requirements (continued)

Power Dissipation

Power dissipation is highly dependent on DSP program activity and the frequency of operation. The typical power dissipation listed is for a selected application.

Table 86. Power Dissipation

| Condition [†] | | Typical Power Dissipation (mW) | |
|--|--|-------------------------------------|--------------------------------------|
| | | Peripherals On (powerc = 0x0000) | Peripherals Off (powerc = 0x181F) |
| Normal Operation | PLL Disabled [‡] and Deselected [§] CLK = CKI = 40 MHz | 327 | 315 |
| | PLL Enabled [‡] and Selected [§] pllc = 0xEC0E CKI = 10 MHz, CLK = 40 MHz | 340 | 328 |
| Low-Power Standby Mode (AWAIT (alf [15]) = 1) | PLL Disabled [‡] and Deselected [§] CLK = CKI = 40 MHz | 51 | 39 |
| | PLL Enabled [‡] and Selected [§] pllc = 0xEC0E CKI = 10 MHz, CLK = 40 MHz | 64 | 52 |

[†] In all cases, V_{DD} = V_{DDA} = 3.0 V, unused inputs are tied to V_{DD} or V_{SS}, and the CKO output pin is held low (**ioc** = 0x0040).

[‡] The PLL is disabled (powered down) if the PLLLEN field (**pllc**[15]) is cleared, which is the default after reset. The PLL is enabled (powered up) if the PLLLEN field (**pllc**[15]) is set.

[§] The PLL is deselected if the PLLSEL field (**pllc**[14]) is cleared, which is the default after reset. The PLL is selected if the PLLSEL field (**pllc**[14]) is set.

The power dissipation listed is for internal power dissipation only. Total power dissipation can be calculated on the basis of the application by adding $C \times V_{DD}^2 \times f$ for each output, where C is the additional load capacitance and f is the output frequency. Power dissipation due to the input buffers is highly dependent on the input voltage level. At full CMOS levels, essentially no dc current is drawn. However, for levels between the power supply rails, especially at or near the threshold of V_{DD}/2, high currents can flow.

The following recommendations apply:

- Input and I/O buffers can be left untied with no power dissipation penalty because the input voltage levels of the input and I/O buffers are designed to remain at full CMOS levels when not driven.
- Unused I/O pins that require a known value (1 or 0) for correct device operation should be tied to V_{DD} or V_{SS} through a 10 kΩ resistor.
- Unused input pins that require a known value (1 or 0) should be tied to V_{DD} or V_{SS}.

WARNING: The device needs to be clocked for at least six CKI cycles during reset after powerup. Otherwise, high currents might flow.

Timing Characteristics and Requirements

Timing characteristics refer to the behavior of the device under specified conditions. Timing requirements refer to conditions imposed on the user for proper operation of the device. All timing data is valid for the following conditions:

$T_A = -40\text{ }^\circ\text{C}$ to $+85\text{ }^\circ\text{C}$ (See [Recommended Operating Conditions on page 133.](#))

$V_{DD} = 3.3\text{ V} \pm 0.3\text{ V}$, $V_{SS} = 0\text{ V}$ (See [Recommended Operating Conditions on page 133.](#))

Capacitance load on outputs (C_L) = 50 pF

Output characteristics can be derated as a function of load capacitance (C_L).

All outputs except CKO: $0.025\text{ ns/pF} \leq dt/dC_L \leq 0.07\text{ ns/pF}$ for $10 \leq C_L \leq 100\text{ pF}$

CKO: $0.01\text{ ns/pF} \leq dt/dC_L \leq 0.025\text{ ns/pF}$ for $10 \leq C_L \leq 100\text{ pF}$
at V_{IH} for rising edge and at V_{IL} for falling edge

For example, if the actual load capacitance on a pin other than CKO is 30 pF instead of 50 pF, the maximum derating for a rising edge is $(30 - 50)\text{ pF} \times 0.07\text{ ns/pF} = 1.4\text{ ns}$ **less** than the specified rise time or delay that includes a rise time. The minimum derating for the same 30 pF load would be $(30 - 50)\text{ pF} \times 0.025\text{ ns/pF} = 0.5\text{ ns}$.

Test conditions for inputs:

- Rise and fall times of 4 ns or less
- Timing reference levels for delays = V_{IH} , V_{IL}

Test conditions for outputs (unless noted otherwise):

- $C_{LOAD} = 50\text{ pF}$
- Timing reference levels for delays = V_{IH} , V_{IL}
- 3-state delays measured to the high-impedance state of the output driver

Unless otherwise noted, CKO in the timing diagrams is the free-running CKO.

Timing Characteristics and Requirements (continued)

Phase-Lock Loop

Table 87. Frequency Ranges for PLL Output

| Parameter | Symbol | Min | Max | Unit |
|--|------------------|-----|-----|--------|
| PLL Output† Frequency Range (VDD = 3.3 V ± 0.3 V) | f _{PLL} | 50 | 120 | MHz |
| Input Jitter at CKI | — | — | 200 | ps-rms |

† The values of M and N in the **pll** register (see [Table 64 on page 105](#)) must be set so that f_{PLL} is in the appropriate range. Choose the lowest value of N and then the appropriate value of M for $f_{CLK} = f_{PLL} = f_{CKI} \times M/2N$.

Table 88. PLL Loop Filter Settings and Lock-In Time

| M | pll[11:8] (LF[3:0]) | Typical Lock-In Time (μs)† |
|-------|---------------------|----------------------------|
| 23—24 | 1011 | 30 |
| 21—22 | 1010 | 30 |
| 19—20 | 1001 | 30 |
| 16—18 | 1000 | 30 |
| 12—15 | 0111 | 30 |
| 8—11 | 0110 | 30 |
| 2—7 | 0100 | 30 |

† Lock-in time is the time following assertion of the PLEN bit of the **pll** register during which the PLL output clock is unstable. The DSP must operate from the CKI input clock or from the slow ring oscillator while the PLL is locking. The DSP16210 signals completion of the lock-in interval by setting the LOCK flag.

Timing Characteristics and Requirements (continued)

Wake-Up Latency

Table 89 specifies the wake-up latency for various low-power modes. The wake-up latency is the delay between exiting a low-power mode and resumption of normal execution.

Table 89. Wake-Up Latency

| Condition | | Wake-Up Latency | |
|--|--|---|--|
| | | (PLL Deselected [†] During Normal Execution) | (PLL Enabled [‡] and Selected [†] During Normal Execution) |
| Low-Power Standby Mode (AWAIT (alf [15]) = 1) | PLL Disabled [‡] During Standby | 3T [§] | 3T [§] + t _L ^{††} |
| | PLL Enabled [‡] During Standby | — | 3T [§] |
| Low-Power Standby Mode (AWAIT (alf [15]) = 1) with Slow Internal Clock (powerc [10] = 1) | PLL Disabled [‡] During Standby | 7.6 μs | 7.6 μs + t _L ^{††} |
| | PLL Enabled [‡] During Standby | — | 7.6 μs |
| Hardware Stop (STOP Pin Asserted) or Software Stop (NOCK (powerc [9]) = 1) | PLL Disabled [‡] During Standby | 3T [§] | 3T [§] + t _L ^{††} |
| | PLL Enabled [‡] During Standby | — | 3T [§] |

[†] The PLL is deselected if the PLLSEL field (**pllc**[14]) is cleared, which is the default after reset. The PLL is selected if the PLLSEL field (**pllc**[14]) is set.

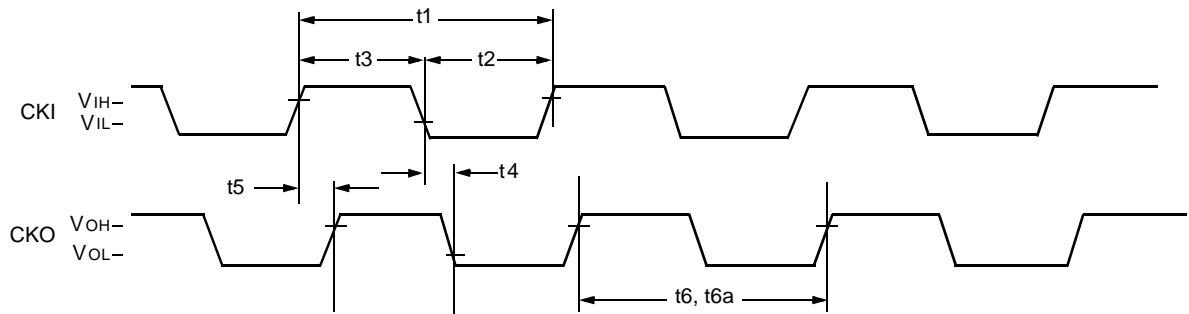
[‡] The PLL is disabled (powered down) if the PLEN field (**pllc**[15]) is cleared, which is the default after reset. The PLL is enabled (powered up) if the PLEN field (**pllc**[15]) is set.

[§] T = CLK clock cycle (f_{CLK} = f_{CKI} if PLL deselected; f_{CLK} = f_{CKI} × M/2N if PLL enabled and selected).

^{††} t_L = PLL lock-in time (see Table 88 on page 139).

Timing Characteristics and Requirements (continued)

DSP Clock Generation



5-4009(F).d

Figure 28. I/O Clock Timing Diagram

Table 90. Timing Requirements for Input Clock

| Abbreviated Reference | Parameter | Min | Max | Unit |
|-----------------------|----------------------------------|-----|-----|------|
| t ₁ | Clock In Period (high to high) | 20 | —† | ns |
| t ₂ | Clock In Low Time (low to high) | 10 | — | ns |
| t ₃ | Clock In High Time (high to low) | 10 | — | ns |

† Device is fully static, t₁ is tested at 100 ns input clock option, and memory hold time is tested at 0.1 s.

Table 91. Timing Characteristics for Input Clock and Output Clock

| Abbreviated Reference | Parameter | Min | Max | Unit |
|-----------------------|--|------|-----|------|
| t ₄ | Clock Out High Delay (low to low) | — | 10 | ns |
| t ₅ | Clock Out Low Delay (high to high) | — | 10 | ns |
| t ₆ | Clock Out Period (high to high) | T† | — | ns |
| t _{6a} | Clock Out Period with SLOWCLK Bit Set in powerc Register (high to high) | 0.74 | 3.8 | μs |

† T = internal clock period (CLK).

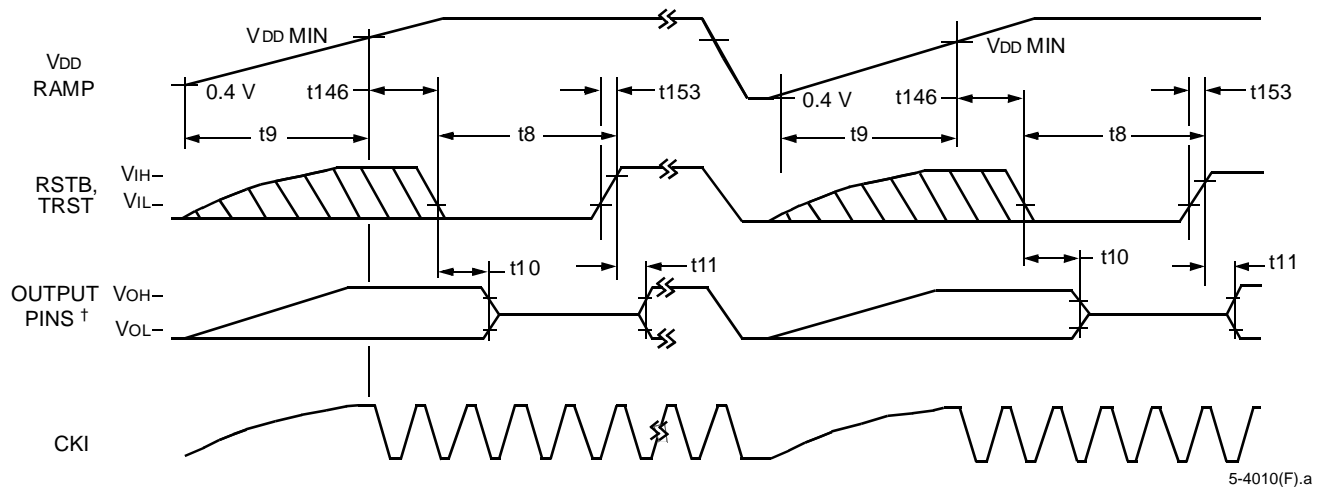
Timing Characteristics and Requirements (continued)

Reset Circuit

The DSP16210 has two external reset pins: RSTB and TRST. At initial powerup, or if the supply voltage falls below VDD MIN¹ and a device reset is required, both TRST and RSTB must be asserted simultaneously to initialize the device. Figure 29 shows two separate events:

1. Device reset at initial powerup.
2. Device reset following a drop in power supply.

Note: The TRST pin must be asserted even if the JTAG controller is not used by the application.



5-4010(F).a

† When both INT0 and RSTB are asserted, all output and bidirectional pins (except TDO, which 3-states by JTAG control) are put in a 3-state condition. With RSTB asserted and INT0 not asserted, EROM, ERAMHI, ERAMLO, ERAM, IO, and RWN outputs remain high, and CLK remains a free-running clock.

Figure 29. Powerup Reset and Device Reset Timing Diagram

Table 92. Timing Requirements for Powerup Reset and Device Reset

| Abbreviated Reference | Parameter | Min | Max | Unit |
|-----------------------|---|-----------------|-----|------|
| t8 | RSTB and TRST Reset Pulse (low to high) | 7T [†] | — | ns |
| t9 | VDD Ramp | — | 10 | ms |
| t146 | VDD MIN to RSTB Low | 2T [†] | — | ns |
| t153 | RSTB and TRST Rise (low to high) | — | 60 | ns |

† T = internal clock period (CLK).

Table 93. Timing Characteristics for Powerup Reset and Device Reset

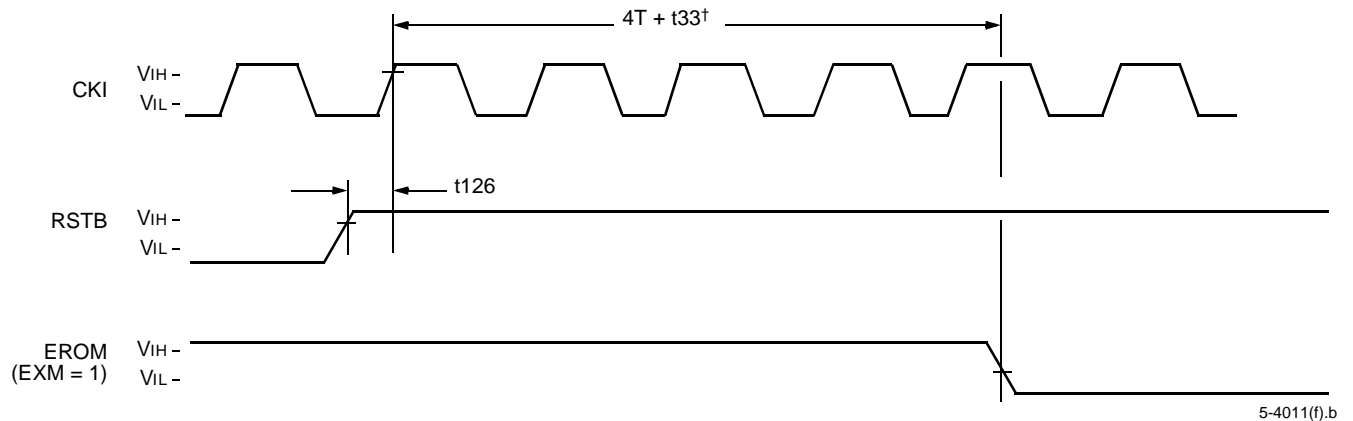
| Abbreviated Reference | Parameter | Min | Max | Unit |
|-----------------------|------------------------------------|-----|-----|------|
| t10 | RSTB Disable Time (low to 3-state) | — | 100 | ns |
| t11 | RSTB Enable Time (high to valid) | — | 100 | ns |

Note: The device needs to be clocked for at least six CKI cycles during reset after powerup. Otherwise, high currents flow.

1. See Table 83 on page 133, Recommended Operating Conditions.

Timing Characteristics and Requirements (continued)

Reset Synchronization



† See Table 101 on page 147 for EROM timing characteristics. T = internal clock period (CLK).

Figure 30. Reset Synchronization Timing

Table 94. Timing Requirements for Reset Synchronization Timing

| Abbreviated Reference | Parameter | Min | Max | Unit |
|-----------------------|----------------------------|-----|----------|------|
| t ₁₂₆ | Reset Setup (high to high) | 3 | T/2 - 1† | ns |

† T = internal clock period (CLK).

Timing Characteristics and Requirements (continued)

JTAG

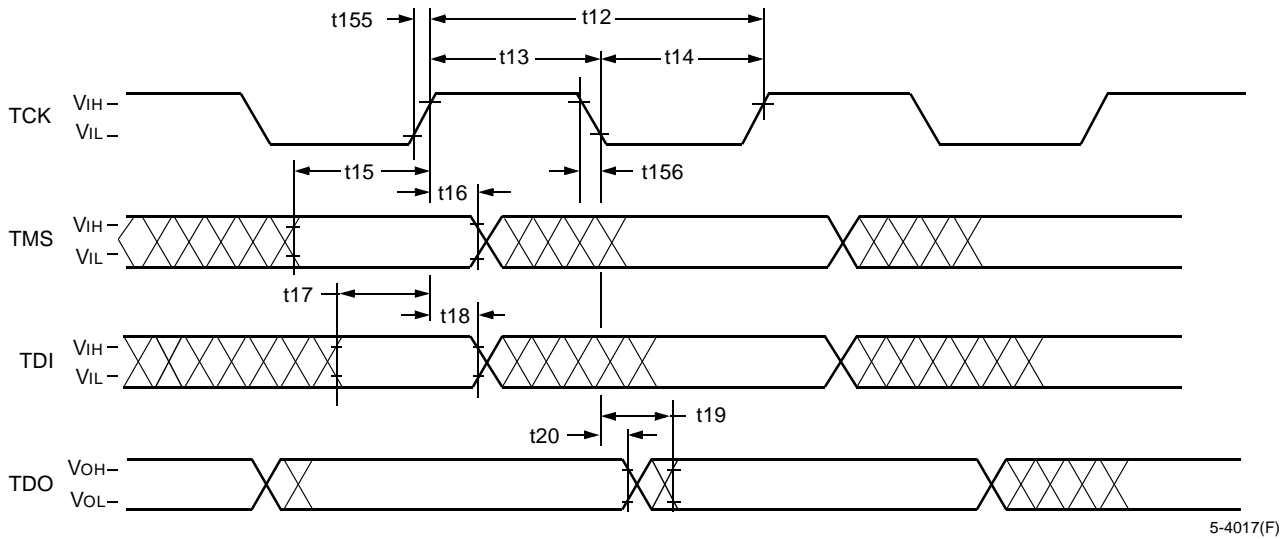


Figure 31. JTAG I/O Timing Diagram

Table 95. Timing Requirements for JTAG I/O

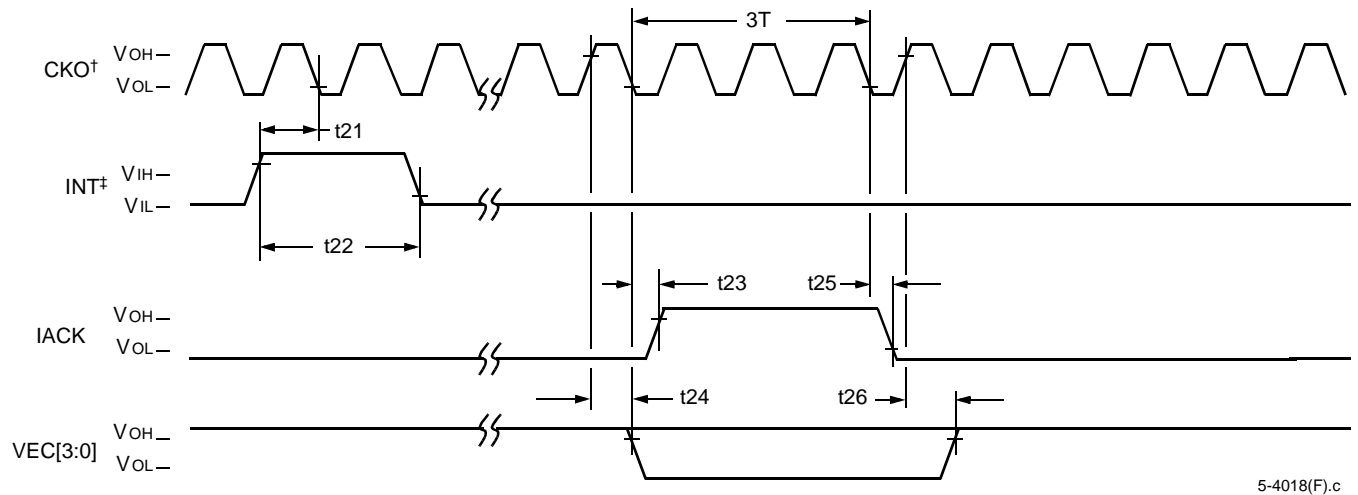
| Abbreviated Reference | Parameter | Min | Max | Unit |
|-----------------------|--|------|-----|------|
| t12 | TCK Period (high to high) | 50 | — | ns |
| t13 | TCK High Time (high to low) | 22.5 | — | ns |
| t14 | TCK Low Time (low to high) | 22.5 | — | ns |
| t155 | TCK Rise Transition Time (low to high) | 0.6 | — | V/ns |
| t156 | TCK Fall Transition Time (high to low) | 0.6 | — | V/ns |
| t15 | TMS Setup Time (valid to high) | 7.5 | — | ns |
| t16 | TMS Hold Time (high to invalid) | 5 | — | ns |
| t17 | TDI Setup Time (valid to high) | 7.5 | — | ns |
| t18 | TDI Hold Time (high to invalid) | 5 | — | ns |

Table 96. Timing Characteristics for JTAG I/O

| Abbreviated Reference | Parameter | Min | Max | Unit |
|-----------------------|---------------------------|-----|-----|------|
| t19 | TDO Delay (low to valid) | — | 15 | ns |
| t20 | TDO Hold (low to invalid) | 0 | — | ns |

Timing Characteristics and Requirements (continued)

Interrupt and Trap



5-4018(F).c

† CKO is free-running.

‡ INT is one of INT[3:0] or TRAP.

Figure 32. Interrupt and Trap Timing Diagram

Table 97. Timing Requirements for Interrupt and Trap

Note: Interrupt is asserted during an interruptible instruction and no other pending interrupts.

| Abbreviated Reference | Parameter | Min | Max | Unit |
|-----------------------|---------------------------------------|-----|-----|------|
| t21 | Interrupt Setup (high to low) | 8 | — | ns |
| t22 | INT/TRAP Assertion Time (high to low) | 2T† | — | ns |

† T = internal clock period (CLK).

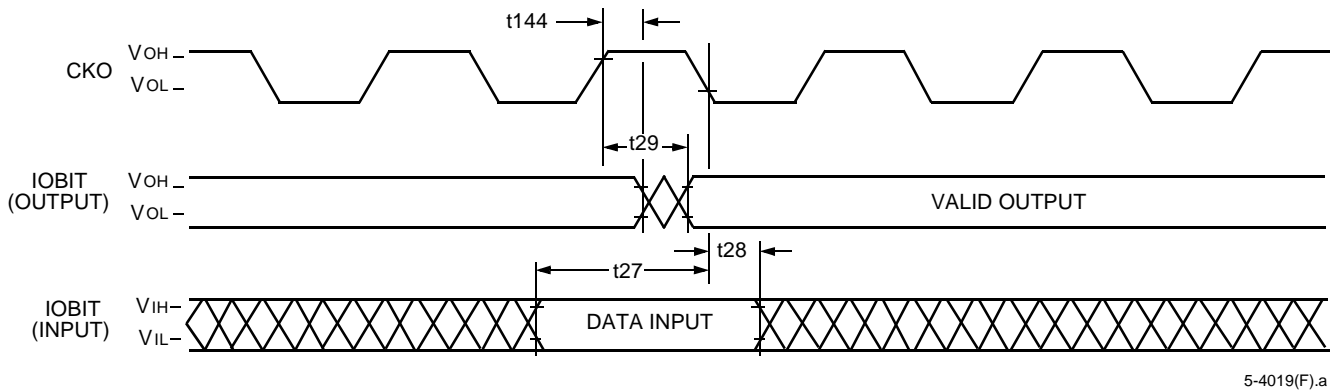
Table 98. Timing Characteristics for Interrupt and Trap

Note: Interrupt is asserted during an interruptible instruction and no other pending interrupts.

| Abbreviated Reference | Parameter | Min | Max | Unit |
|-----------------------|---------------------------------|-----|-----|------|
| t23 | IACK Valid Time (low to high) | — | 10 | ns |
| t24 | VEC Valid Time (high to low) | — | 10 | ns |
| t25 | IACK Invalid Time (low to low) | — | 10 | ns |
| t26 | VEC Invalid Time (high to high) | — | 10 | ns |

Timing Characteristics and Requirements (continued)

Bit I/O



5-4019(F).a

Figure 33. Write Outputs Followed by Read Inputs (cbit = IMMEDIATE; a1 = sbit) Timing Characteristics

Table 99. Timing Requirements for BIO Input Read

| Abbreviated Reference | Parameter | Min | Max | Unit |
|-----------------------|--|-----|-----|------|
| t27 | IOBIT Input Setup Time (valid to low) | 10 | — | ns |
| t28 | IOBIT Input Hold Time (low to invalid) | 0 | — | ns |

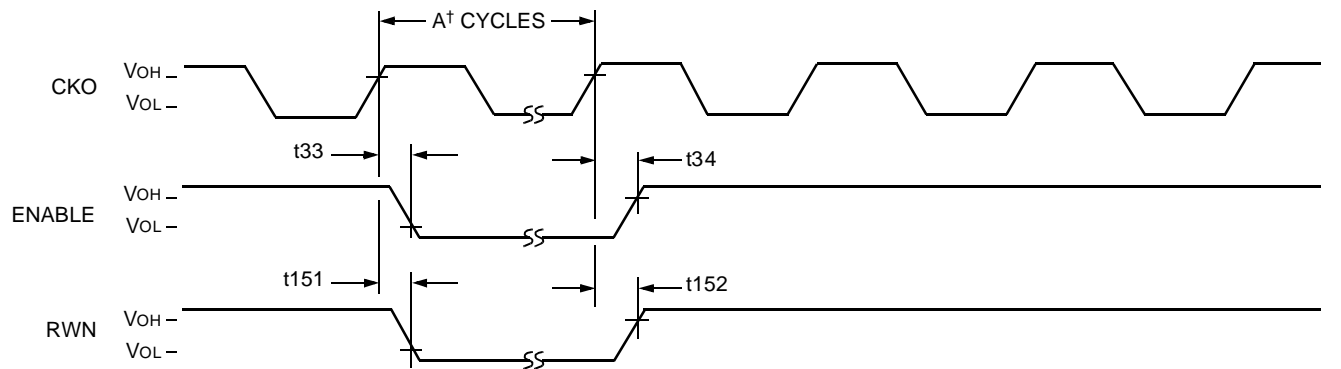
Table 100. Timing Characteristics for BIO Output

| Abbreviated Reference | Parameter | Min | Max | Unit |
|-----------------------|--|-----|-----|------|
| t29 | IOBIT Output Valid Time (high to valid) | — | 9 | ns |
| t144 | IOBIT Output Hold Time (high to invalid) | 1 | — | ns |

Timing Characteristics and Requirements (continued)

External Memory Interface

The following timing diagrams, characteristics, and requirements do not apply to interactions with delayed external memory enables unless so stated. See the *DSP16210 Digital Signal Processor Information Manual* for a detailed description of the external memory interface including other functional diagrams. The term ENABLE refers to EROM, ERAM, IO, ERAMHI, and ERAMLO.



5-4020(f).c

† A = number of DSP clock cycles programmed into the `mwait` register (XATIM, YATIM, IATIM) for the access.

Figure 34. Enable Transition Timing

Table 101. Timing Characteristics for Memory Enables and RWN

| Abbreviated Reference | Parameter | Condition | Min | Max | Unit |
|-----------------------|---------------------------------------|-------------------------|----------------------|----------------------|------|
| t33 | CKO to ENABLE Active (high to low) | DENB [†] = 0 | 0 | 4.5 | ns |
| | | DENB [†] = 1 | T/2 [‡] | T/2 [‡] + 7 | ns |
| t34 | CKO to ENABLE Inactive (high to high) | DENB [†] = 0 | -1 | 4 | ns |
| | | DENB [†] = 1 | T/2 [‡] - 1 | T/2 [‡] + 6 | ns |
| t151 | CKO to RWN Active (high to low) | RWNADV [§] = 1 | 0 | 4.5 | ns |
| t152 | CKO to RWN Inactive (high to high) | — | -1 | 4 | ns |

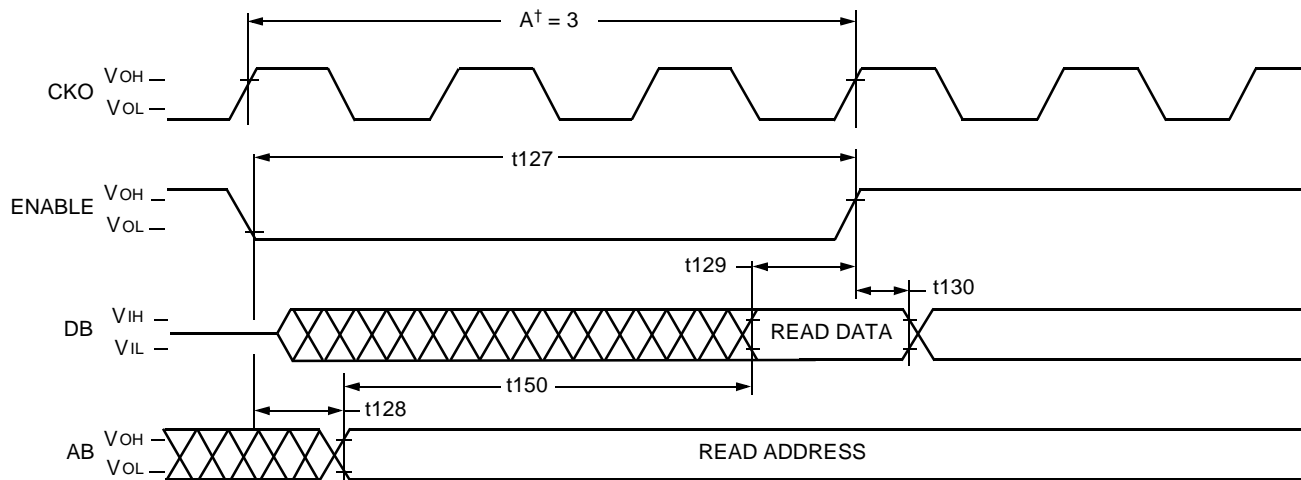
† DENB is replaced with the DENB[2:0] bit of the `ioc` register that corresponds to the memory segment that is accessed. DENB is DENB2 for the IO segment, DENB1 for the ERAMHI and ERAMLO segments, and DENB0 for the EROM segment.

‡ T = internal clock period (CLK).

§ RWNADV is bit 3 of the `ioc` register.

Timing Characteristics and Requirements (continued)

External Memory Interface (continued)



5-4021(f).d

† A = number of DSP clock cycles programmed into the **mwait** register (XATIM, YATIM, IATIM) for the access.

Figure 35. External Memory Data Read Timing Diagram (No Delayed Enable)

Table 102. Timing Characteristics for External Memory Access (DENB† = 0)

| Abbreviated Reference | Parameter | Min | Max | Unit |
|-----------------------|-------------------------------------|-----------------------------|-----|------|
| t127 | Enable Width (low to high) | $(T \times A) - 2^\ddagger$ | — | ns |
| t128 | Address Valid (enable low to valid) | — | 2 | ns |

† DENB is replaced with the DENB[2:0] bit of the **ioc** register that corresponds to the memory segment that is accessed. DENB is DENB2 for the IO segment, DENB1 for the ERAMHI and ERAMLO segments, and DENB0 for the EROM segment.

‡ T = internal clock period (CLK).

Table 103. Timing Requirements for External Memory Read (DENB† = 0)

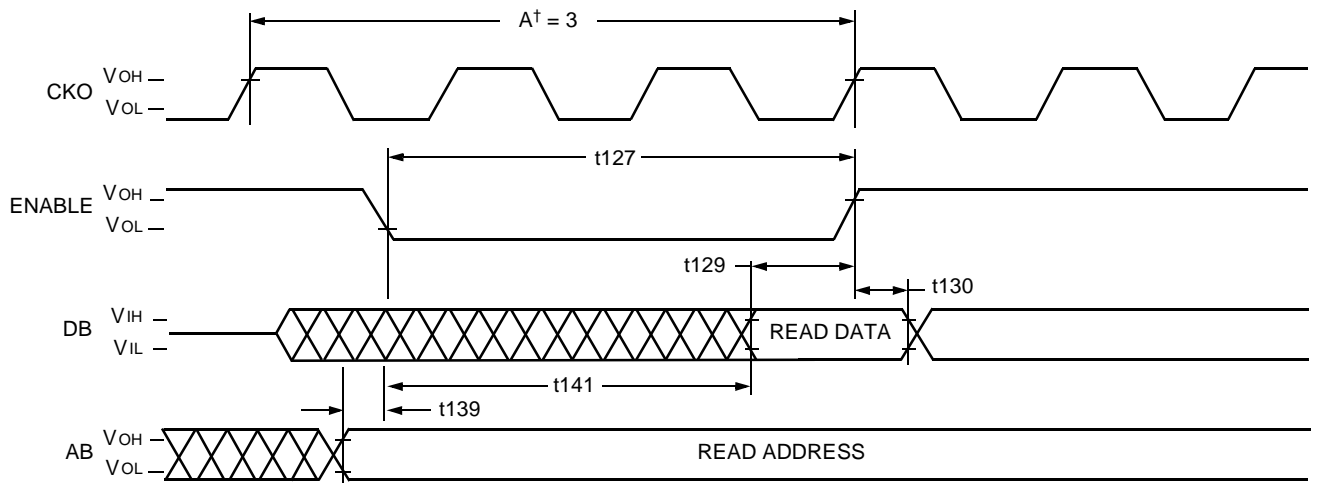
| Abbreviated Reference | Parameter | Min | Max | Unit |
|-----------------------|--|-----|------------------------------|------|
| t129 | Read Data Setup (valid to enable high) | 8.5 | — | ns |
| t130 | Read Data Hold (enable high to hold) | 0 | — | ns |
| t150 | External Memory Access Time (valid to valid) | — | $(T \times A) - 10^\ddagger$ | ns |

† DENB is replaced with the DENB[2:0] bit of the **ioc** register that corresponds to the memory segment that is accessed. DENB is DENB2 for the IO segment, DENB1 for the ERAMHI and ERAMLO segments, and DENB0 for the EROM segment.

‡ T = internal clock period (CLK).

Timing Characteristics and Requirements (continued)

External Memory Interface (continued)



5-4021(f).e

† A = number of DSP clock cycles programmed into the **mwait** register (XATIM, YATIM, IATIM) for the access.

Figure 36. External Memory Data Read Timing Diagram (Delayed Enable)

Table 104. Timing Characteristics for External Memory Access (DENB† = 1)

| Abbreviated Reference | Parameter | Min | Max | Unit |
|-----------------------|-------------------------------------|-------------------------------------|-----|------|
| t127 | Enable Width (low to high) | $(T \times (A - 0.5)) - 2^\ddagger$ | — | ns |
| t139 | Address Valid (valid to enable low) | $T/2 - 3^\ddagger$ | — | ns |

† DENB is replaced with the DENB[2:0] bit of the **ioc** register that corresponds to the memory segment that is accessed. DENB is DENB2 for the IO segment, DENB1 for the ERAMHI and ERAMLO segments, and DENB0 for the EROM segment.

‡ T = internal clock period (CLK).

Table 105. Timing Requirements for External Memory Read (DENB† = 1)

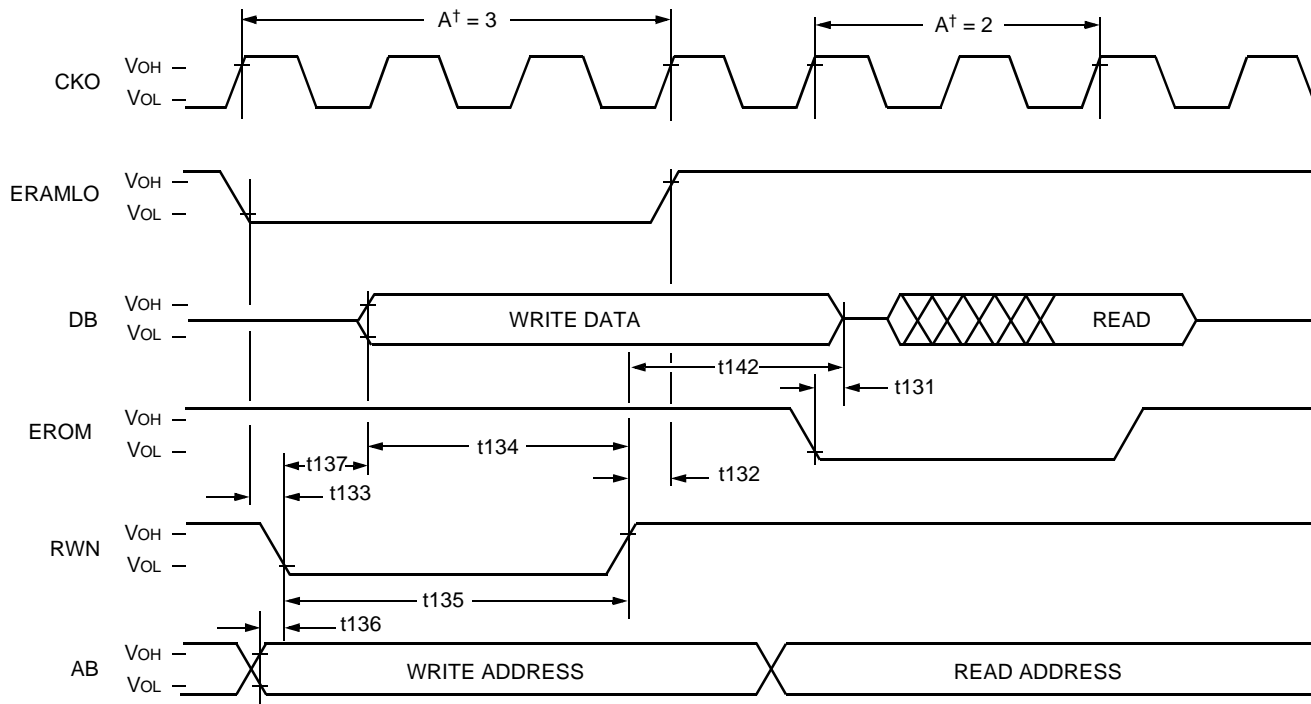
| Abbreviated Reference | Parameter | Min | Max | Unit |
|-----------------------|---|-----|--------------------------------------|------|
| t129 | Read Data Setup (valid to enable high) | 8.5 | — | ns |
| t130 | Read Data Hold (enable high to hold) | 0 | — | ns |
| t141 | External Memory Access Time (enable low to valid) | — | $(T \times (A - 0.5)) - 11^\ddagger$ | ns |

† DENB is replaced with the DENB[2:0] bit of the **ioc** register that corresponds to the memory segment that is accessed. DENB is DENB2 for the IO segment, DENB1 for the ERAMHI and ERAMLO segments, and DENB0 for the EROM segment.

‡ T = internal clock period (CLK).

Timing Characteristics and Requirements (continued)

External Memory Interface (continued)



† A = number of DSP clock cycles programmed into the **mwait** register (XATIM, YATIM, IATIM) for the access. In the example depicted in this drawing, YATIM = 3 and XATIM = 2.

Figure 37. External Memory Data Write Timing Diagram (DENB2 = 0, DENB1 = 0, DENB0 = 0)

Table 106. Timing Characteristics for External Memory Data Write (RWNADV† = 0, DENB‡ = 0)

| Abbreviated Reference | Parameter | Condition | Min | Max | Unit |
|-----------------------|--|------------|---|-------|------|
| t131 | Write Overlap (enable low to 3-state) | — | — | 0 | ns |
| t132 | RWN Advance (RWN high to enable high) | — | 0 | 2 | ns |
| t133 | RWN Delay (enable low to RWN low) | — | 0 | 3 | ns |
| t134 | Write Data Setup (data valid to RWN high) | WDDLY§ = 0 | $(T \times (A - 0.5)) - 3^{\dagger\dagger}$ | — | ns |
| | | WDDLY§ = 1 | $(T \times (A - 1)) - 3^{\dagger\dagger}$ | — | ns |
| t135 | RWN Width (low to high) | — | $(T \times A) - 3^{\dagger\dagger}$ | — | ns |
| t136 | Write Address Setup (address valid to RWN low) | — | 0 | — | ns |
| t137 | Write Data Activation Delay (RWN low to DB active) | WDDLY§ = 0 | $T/2 - 4^{\dagger\dagger}$ | — | ns |
| | | WDDLY§ = 1 | $T - 4^{\dagger\dagger}$ | — | ns |
| t142 | Write Data Deactivation Delay (RWN high to DB 3-state) | WDDLY§ = 0 | — | $T/2$ | ns |
| | | WDDLY§ = 1 | — | T | ns |

† RWNADV is bit 3 of the **ioic** register.

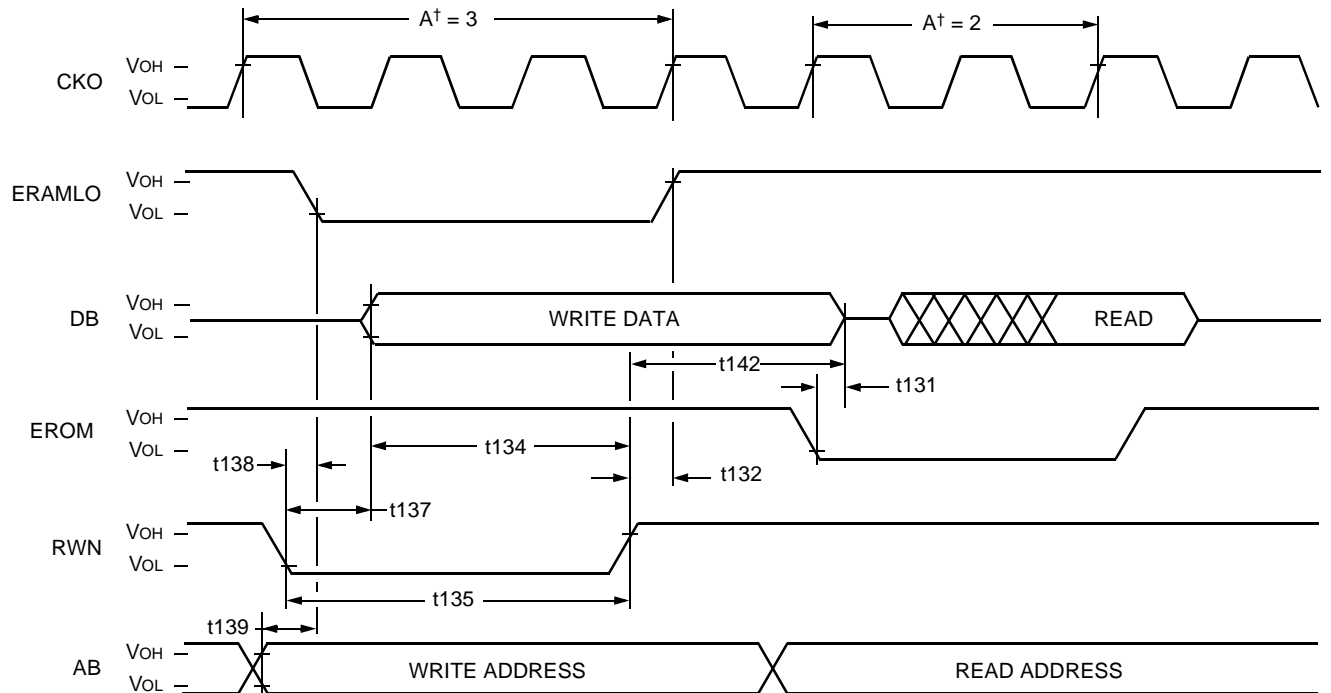
‡ DENB is replaced with the DENB[2:0] bit of the **ioic** register that corresponds to the memory segment that is accessed. DENB is DENB2 for the IO segment, DENB1 for the ERAMHI and ERAMLO segments, and DENB0 for the EROM segment.

§ WDDLY is bit 10 of the **ioic** register.

†† T = internal clock period (CLK).

Timing Characteristics and Requirements (continued)

External Memory Interface (continued)



† A = number of DSP clock cycles programmed into the **mwait** register (XATIM, YATIM, IATIM) for the access.

Figure 38. External Memory Data Write Timing Diagram (DENB2 = 0, DENB1 = 1, DENB0 = 0)

Table 107. Timing Characteristics for External Memory Data Write (RWNADV† = 1, DENB‡ = 1)

| Abbreviated Reference | Parameter | Condition | Min | Max | Unit |
|-----------------------|--|------------|---|-----|------|
| t131 | Write Overlap (enable low to 3-state) | — | — | 0 | ns |
| t132 | RWN Advance (RWN high to enable high) | — | 0 | 2 | ns |
| t134 | Write Data Setup (data valid to RWN high) | WDDLY§ = 0 | $(T \times (A - 0.5)) - 3^{\dagger\dagger}$ | — | ns |
| | | WDDLY§ = 1 | $(T \times (A - 1)) - 3^{\dagger\dagger}$ | — | ns |
| t135 | RWN Width (low to high) | — | $(T \times A) - 3^{\dagger\dagger}$ | — | ns |
| t137 | Write Data Activation Delay (RWN low to DB active) | WDDLY§ = 0 | $T/2 - 4^{\dagger\dagger}$ | — | ns |
| | | WDDLY§ = 1 | $T - 4^{\dagger\dagger}$ | — | ns |
| t138 | Enable Delay (RWN low to enable Low) | — | $T/2 - 3^{\dagger\dagger}$ | — | ns |
| t139 | Address Valid (valid to enable low) | — | $T/2 - 3^{\dagger\dagger}$ | — | ns |
| t142 | Write Data Deactivation Delay (RWN high to DB 3-state) | WDDLY§ = 0 | — | T/2 | ns |
| | | WDDLY§ = 1 | — | T | ns |

† RWNADV is bit 3 of the **ioc** register.

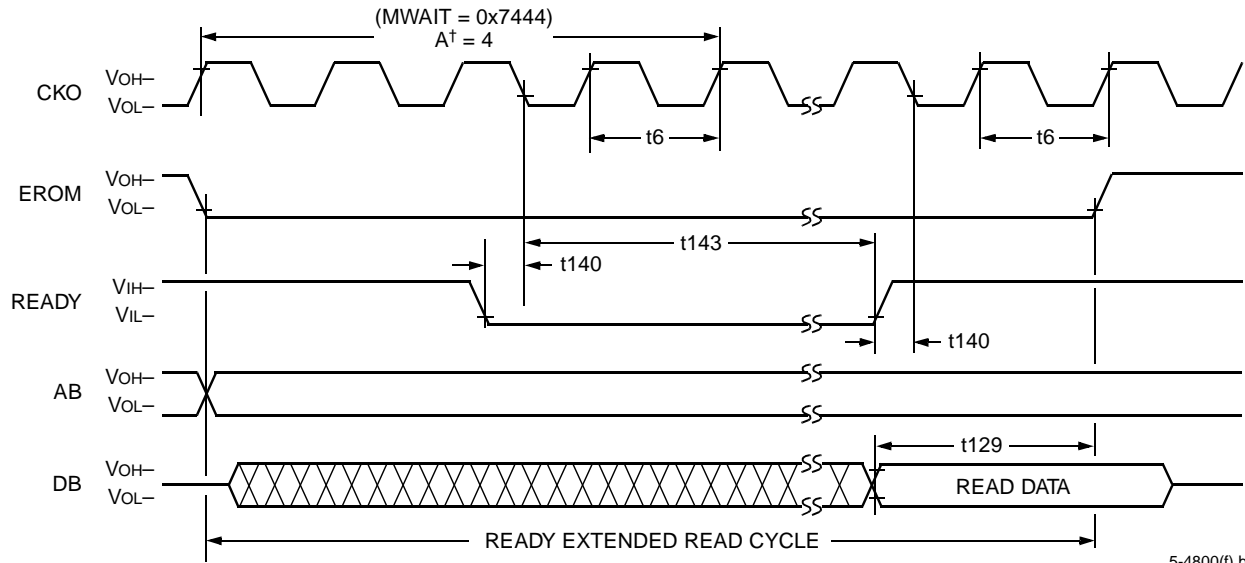
‡ DENB is replaced with the DENB[2:0] bit of the **ioc** register that corresponds to the memory segment that is accessed. DENB is DENB2 for the IO segment, DENB1 for the ERAMHI and ERAMLO segments, and DENB0 for the EROM segment.

§ WDDLY is bit 10 of the **ioc** register.

†† T = internal clock period (CLK).

Timing Characteristics and Requirements (continued)

External Memory Interface (continued)



5-4800(f).b

† A = number of DSP clock cycles programmed into the **mwait** register (XATIM, YATIM, IATIM) for the access.

Figure 39. READY Extended Read Cycle Timing

Table 108. Timing Requirements for READY Extended Read Cycle Timing

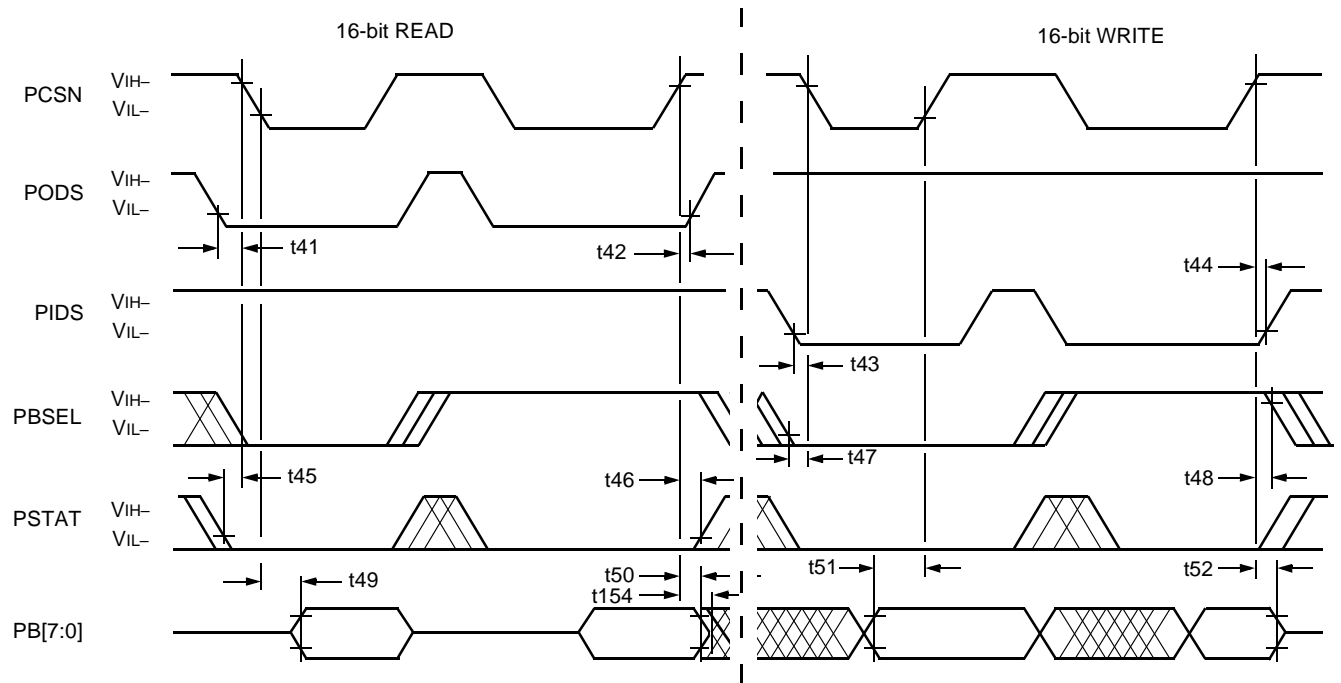
| Abbreviated Reference | Parameter | Min | Max | Unit |
|-----------------------|--|-----|-----|------|
| t6 | Clock Out Period (high to high) | T† | — | ns |
| t140 | READY Setup (valid to CKO low) | 6 | — | ns |
| t143 | READY Hold (CKO low to invalid) | 6 | — | ns |
| t129 | Read Data Setup (valid to enable high) | 8.5 | — | ns |

† T = internal clock period (CLK).

Timing Characteristics and Requirements (continued)

PHIF16

For the PHIF16, READ means read by the external user (output by the DSP); WRITE is similarly defined. In the 8-bit external bus configuration, 8-bit reads/writes are identical to one-half of a 16-bit access. In the 16-bit external bus mode, accesses are identical to 8-bit accesses in the 8-bit external bus mode.



5-4036(F)

Note: This timing diagram shows accesses using the PCSN signal to initiate and complete a transaction. The transactions can also be initiated and completed with the PIDS and PODS signals. An output transaction (read) is initiated by PCSN or PODS going low, whichever comes last. An output transaction is completed by PCSN or PODS going high, whichever comes first. An input transaction is initiated by PCSN or PIDS going low, whichever comes last. An input transaction is completed by PCSN or PIDS going high, whichever comes first.

Figure 40. PHIF16 Intel Mode Signaling (Read and Write) Timing Diagram

Table 109. Timing Requirements for PHIF16 Intel Mode Signaling (Read and Write)

| Abbreviated Reference | Parameter | Min | Max | Unit |
|-----------------------|---|-----|-----|------|
| t41 | PODS to PCSN Setup (low to low) | 0 | — | ns |
| t42 | PCSN to PODS Hold (high to high) | 0 | — | ns |
| t43 | PIDS to PCSN Setup (low to low) | 0 | — | ns |
| t44 | PCSN to PIDS Hold (high to high) | 0 | — | ns |
| t45† | PSTAT to PCSN Setup (valid to low) | 4 | — | ns |
| t46† | PCSN to PSTAT Hold (high to invalid) | 0 | — | ns |
| t47† | PBSEL to PCSN Setup (valid to low) | 6 | — | ns |
| t48† | PCSN to PBSEL Hold (high to invalid) | 0 | — | ns |
| t51† | PB Write to PCSN Setup (valid to high) | 10 | — | ns |
| t52† | PCSN to PB Write Hold (high to invalid) | 4 | — | ns |

† If PIDS or PODS is the controlling signal instead of PCSN, then all requirements that reference PCSN apply instead to PIDS or PODS.

Timing Characteristics and Requirements (continued)

PHIF16 (continued)

Table 110. Timing Characteristics for PHIF16 *Intel* Mode Signaling (Read and Write)

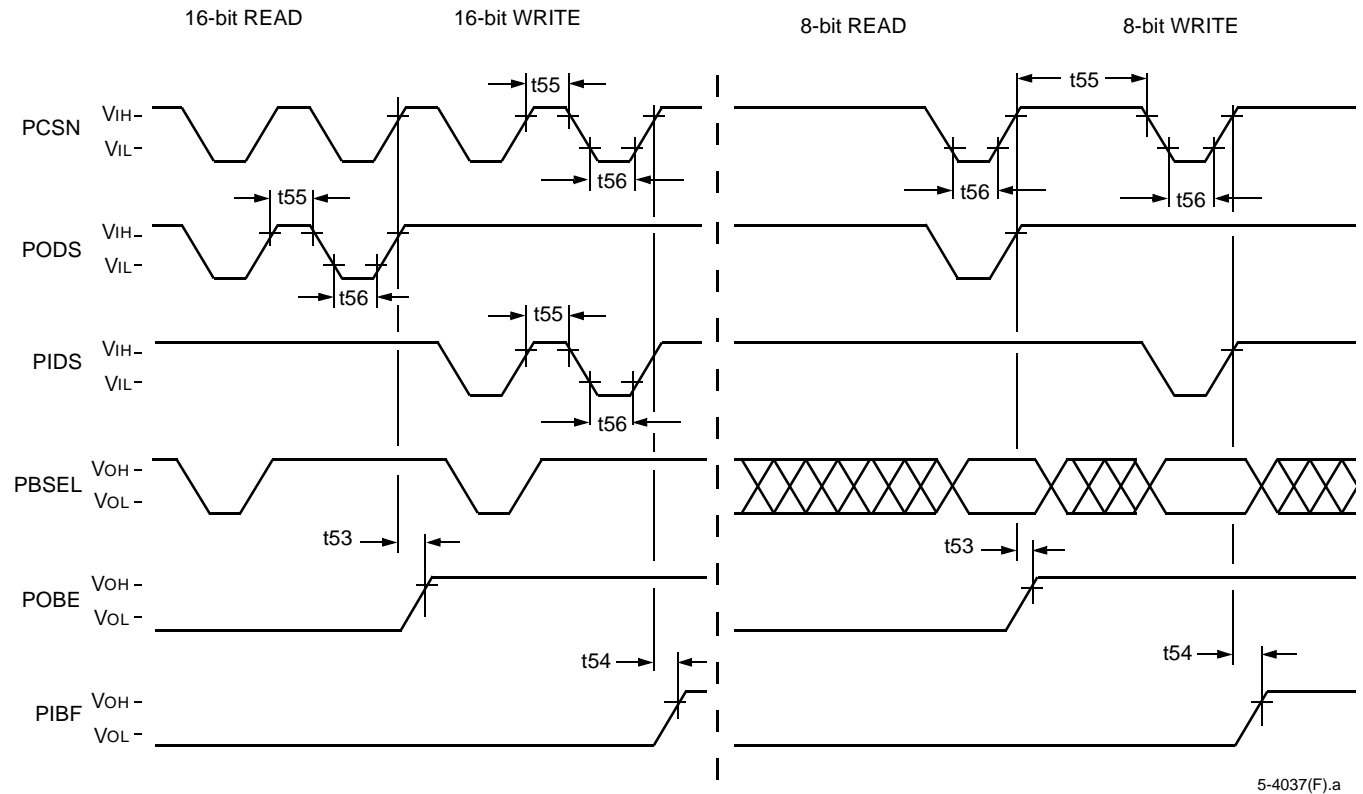
| Abbreviated Reference | Parameter | Min | Max | Unit |
|-----------------------|---|-----|-----|------|
| t49† | PCSN to PB Read (low to valid) | — | 12 | ns |
| t50† | PCSN to PB Read Hold (high to invalid) | 1 | — | ns |
| t154 | PCSN to PB Read 3-state (high to 3-state) | — | 8 | ns |

† If PIDS or PODS is the controlling signal instead of PCSN, then all characteristics that reference PCSN apply instead to PIDS or PODS.

Timing Characteristics and Requirements (continued)

PHIF16 (continued)

Note: This diagram assumes an 8-bit external interface.



5-4037(F).a

Figure 41. PHIF16 Intel Mode Signaling (Pulse Period and Flags) Timing Diagram

Table 111. Timing Requirements for PHIF16 Intel Mode Signaling (Pulse Period and Flags)

| Abbreviated Reference | Parameter | Min | Max | Unit |
|-----------------------|--|------|-----|------|
| t55 | PCSN/PODS/PIDS Pulse Width (high to low) | 20.5 | — | ns |
| t56 | PCSN/PODS/PIDS Pulse Width (low to high) | 20.5 | — | ns |

Table 112. Timing Characteristics for PHIF16 Intel Mode Signaling (Pulse Period and Flags)

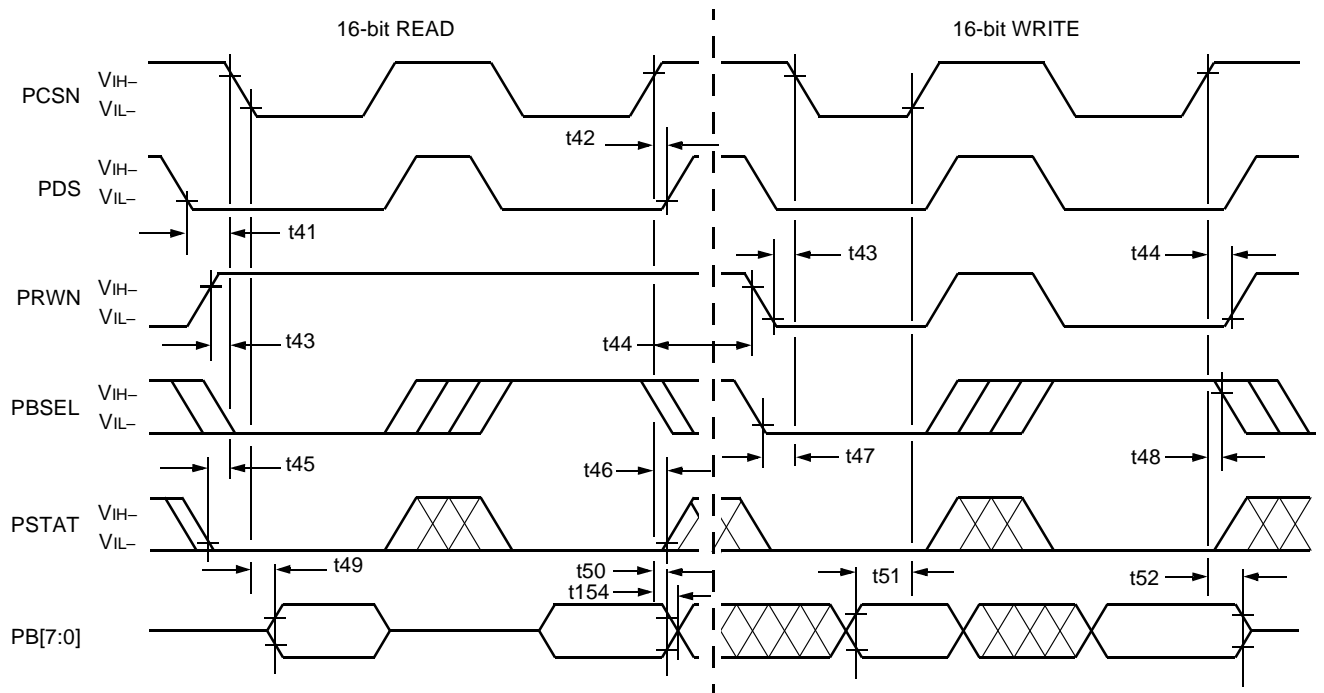
| Abbreviated Reference | Parameter | Min | Max | Unit |
|-----------------------|-----------------------------------|-----|-----|------|
| t53† | PCSN/PODS to POBE‡ (high to high) | — | 15 | ns |
| t54† | PCSN/PIDS to PIBF‡(high to high) | — | 15 | ns |

† t53 should be referenced to the rising edge of PCSN or PODS, whichever comes first. t54 should be referenced to the rising edge of PCSN or PIDS, whichever comes first.

‡ POBE and PIBF can be programmed to be the opposite logic levels shown in the diagram (positive assertion levels shown). t53 and t54 apply to the inverted levels as well as those shown.

Timing Characteristics and Requirements (continued)

PHIF16 (continued)



5-4038(F).a

Note: This timing diagram shows accesses using the PCSN signal to initiate and complete a transaction. The transactions can also be initiated and completed with the PIDS and PODS signals. An output transaction (read) is initiated by PCSN or PDS going low, whichever comes first. An output transaction is completed by PCSN or PDS going high, whichever comes last. An input transaction is initiated by PCSN or PDS going low, whichever comes last. An input transaction is completed by PCSN or PDS going high, whichever comes first.

Figure 42. PHIF16 Motorola Mode Signaling (Read and Write) Timing Diagram

Table 113. Timing Requirements for PHIF16 Motorola Mode Signaling (Read and Write)

| Abbreviated Reference | Parameter | Min | Max | Unit |
|-----------------------|---|-----|-----|------|
| t41 | PDS† to PCSN Setup (valid to low) | 0 | — | ns |
| t42 | PCSN to PDS† Hold (high to invalid) | 0 | — | ns |
| t43 | PRWN to PCSN Setup (valid to low) | 4 | — | ns |
| t44 | PCSN to PRWN Hold (high to invalid) | 0 | — | ns |
| t45† | PSTAT to PCSN Setup (valid to low) | 4 | — | ns |
| t46† | PCSN to PSTAT Hold (high to invalid) | 0 | — | ns |
| t47† | PBSEL to PCSN Setup (valid to low) | 6 | — | ns |
| t48† | PCSN to PBSEL Hold (high to invalid) | 0 | — | ns |
| t51† | PB Write to PCSN Setup (valid to high) | 10 | — | ns |
| t52† | PCSN to PB Write Hold (high to invalid) | 4 | — | ns |

† PDS is programmable to be active-high or active-low. It is shown active-low in Figure 42. POBE and PIBF may be programmed to be the opposite logic levels shown in the diagram. t53 and t54 apply to the inverted levels as well as those shown.

Timing Characteristics and Requirements (continued)

PHIF16 (continued)

Table 114. Timing Characteristics for PHIF16 *Motorola* Mode Signaling (Read and Write)

| Abbreviated Reference | Parameter | Min | Max | Unit |
|-----------------------|---|-----|-----|------|
| t49 [†] | PCSN to PB Read (low to valid) | — | 12 | ns |
| t50 [†] | PCSN to PB Read (high to invalid) | 0 | — | ns |
| t154 | PCSN to PB Read 3-state (high to 3-state) | — | 8 | ns |

[†] If PIDS or PODS is the controlling signal instead of PCSN, then all characteristics that reference PCSN apply instead to PIDS or PODS.

Timing Characteristics and Requirements (continued)

PHIF16 (continued)

Note: This diagram assumes an 8-bit external interface.

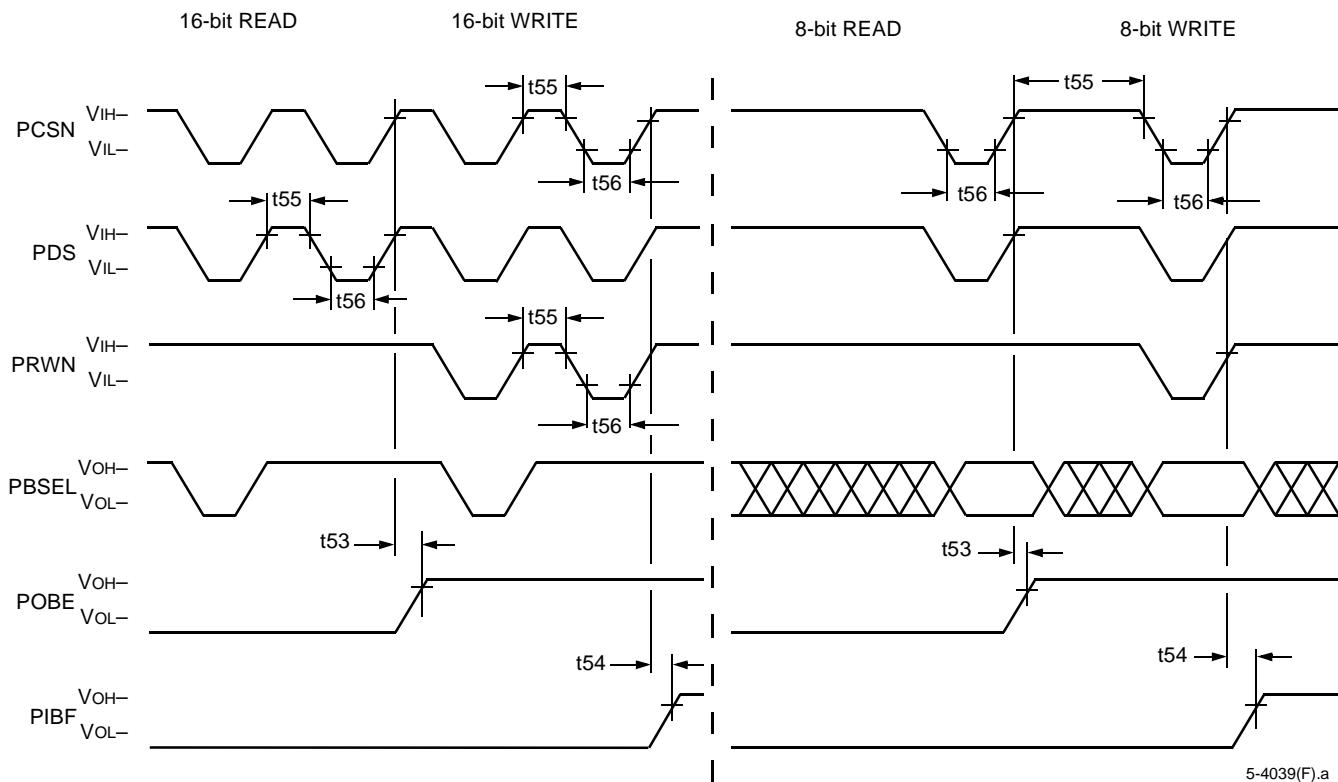


Figure 43. PHIF16 Motorola Mode Signaling (Pulse Period and Flags) Timing Diagram

Table 115. Timing Characteristics for PHIF16 Motorola Mode Signaling (Pulse Period and Flags)

| Abbreviated Reference | Parameter | Min | Max | Unit |
|-----------------------|-----------------------------------|-----|-----|------|
| t53† | PCSN/PDS‡ to POBE‡ (high to high) | — | 15 | ns |
| t54† | PCSN/PDS‡ to PIBF† (high to high) | — | 15 | ns |

† An input/output transaction is initiated by PCSN or PDS going low, whichever comes last. For example, t53 and t54 should be referenced to PDS going low, if PDS goes low after PCSN. An input/output transaction is completed by PCSN or PDS going high, whichever comes first. All requirements referenced to PCSN should be referenced to PDS, if PDS is the controlling signal. PRWN should never be used to initiate or complete a transaction.

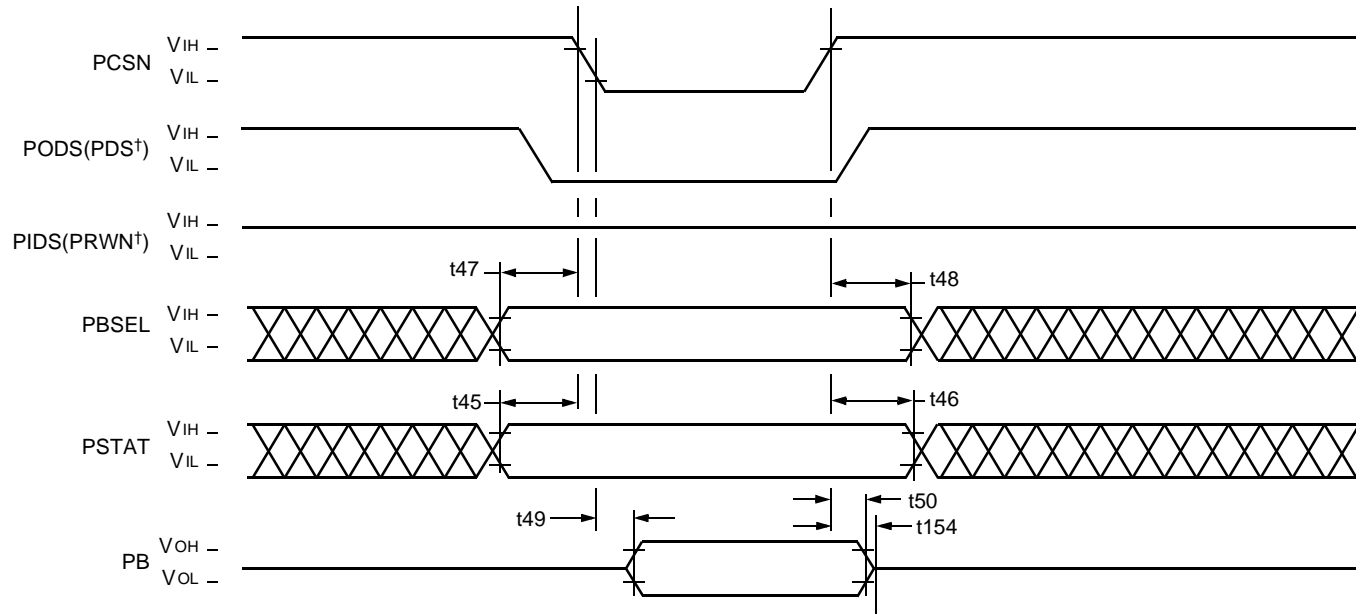
‡ PDS is programmable to be active-high or active-low. It is shown active-low in Figure 43. POBE and PIBF may be programmed to be the opposite logic levels shown in the diagram. t53 and t54 apply to the inverted levels as well as those shown.

Table 116. Timing Requirements for PHIF16 Motorola Mode Signaling (Pulse Period and Flags)

| Abbreviated Reference | Parameter | Min | Max | Unit |
|-----------------------|---|-----|-----|------|
| t55 | PCSN/PDS/PRWN Pulse Width (high to low) | 20 | — | ns |
| t56 | PCSN/PDS/PRWN Pulse Width (low to high) | 20 | — | ns |

Timing Characteristics and Requirements (continued)

PHIF16 (continued)



5-4040(F).a

† Motorola mode signal name.

Figure 44. PHIF16 Intel or Motorola Mode Signaling (Status Register Read) Timing Diagram

Table 117. Timing Requirements for Intel and Motorola Mode Signaling (Status Register Read)

| Abbreviated Reference | Parameter | Min | Max | Unit |
|-----------------------|--------------------------------------|-----|-----|------|
| t45† | PSTAT to PCSN Setup (valid to low) | 4 | — | ns |
| t46‡ | PCSN to PSTAT Hold (high to invalid) | 0 | — | ns |
| t47† | PBSEL to PCSN Setup (valid to low) | 6 | — | ns |
| t48‡ | PCSN to PBSEL Hold (high to invalid) | 0 | — | ns |

† t45 and t47 are referenced to the falling edge of PCSN or PODS(PDS), whichever occurs last.

‡ t46 and t48 are referenced to the rising edge of PCSN or PODS(PDS), whichever occurs first.

Table 118. Timing Characteristics for Intel and Motorola Mode Signaling (Status Register Read)

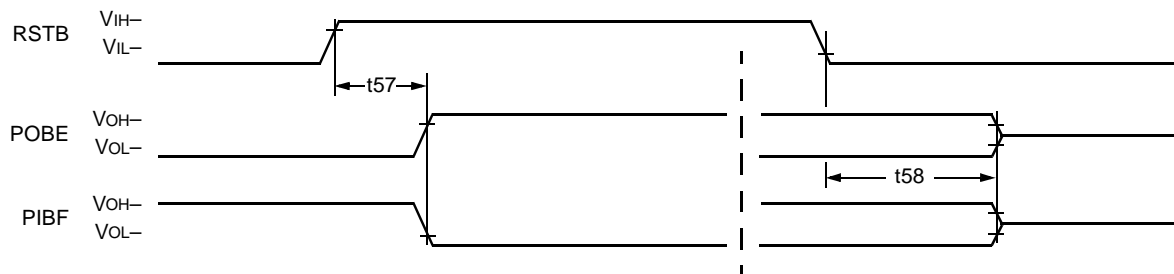
| Abbreviated Reference | Parameter | Min | Max | Unit |
|-----------------------|---|-----|-----|------|
| t49† | PCSN to PB Read (low to valid) | — | 12 | ns |
| t50‡ | PCSN to PB Read Hold (high to invalid) | 0 | — | ns |
| t154‡ | PCSN to PB Read 3-state (high to 3-state) | — | 8 | ns |

† t49 is referenced to the falling edge of PCSN or PODS(PDS), whichever occurs last.

‡ t50 and t154 are referenced to the rising edge of PCSN or PODS(PDS), whichever occurs first.

Timing Characteristics and Requirements (continued)

PHIF16 (continued)



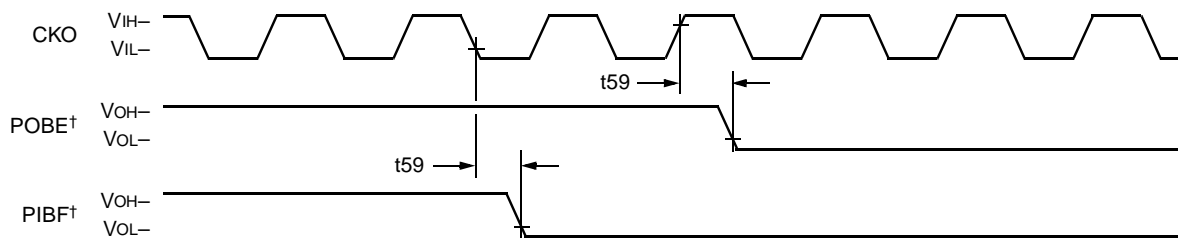
5-4775 (F)

Figure 45. PIBF and POBE Reset Timing Diagram

Table 119. PHIF16 Timing Characteristics for PIBF and POBE Reset

| Abbreviated Reference | Parameter | Min | Max | Unit |
|-----------------------|--|-----|-----|------|
| t57 | RSTB Disable to POBE/PIBF [†] (high to valid) | — | 35 | ns |
| t58 | RSTB Enable to POBE/PIBF [†] (low to invalid) | 3 | 35 | ns |

† After reset, POBE and PIBF always go to the levels shown, indicating output buffer empty and input buffer full. The DSP program, however, may later invert the definition of the logic levels for POBE and PIBF. t57 and t58 continue to apply.



5-4776 (F)

† POBE and PIBF can be programmed to be active-high or active-low. They are shown active-high. The timing characteristic for active-low is the same as for active-high.

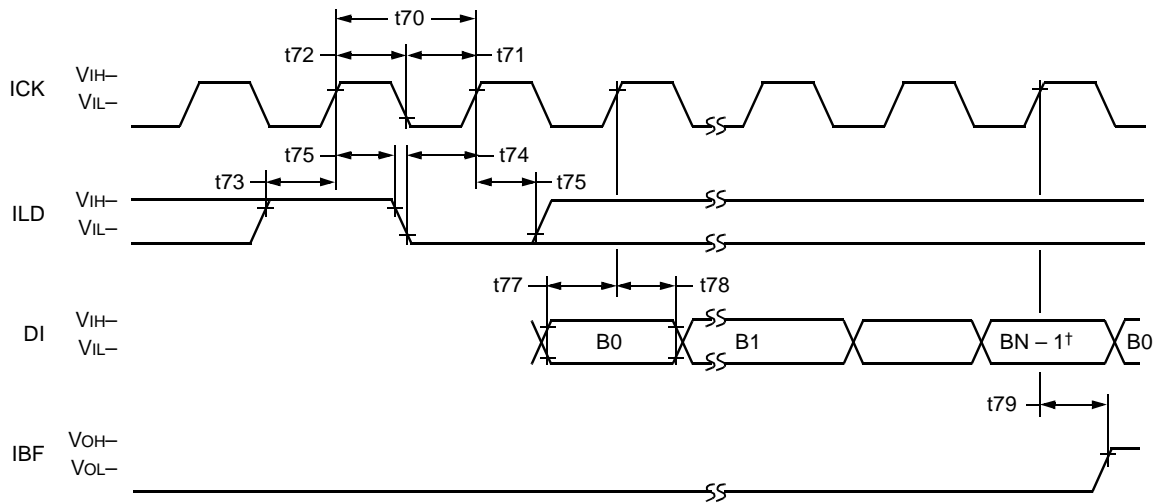
Figure 46. POBE and PIBF Disable Timing Diagram

Table 120. PHIF16 Timing Characteristics for POBE and PIBF Disable

| Abbreviated Reference | Parameter | Min | Max | Unit |
|-----------------------|--|-----|-----|------|
| t59 | CKO to POBE/PIBF Disable (high/low to disable) | — | 15 | ns |

Timing Characteristics and Requirements (continued)

Simple Serial I/O



5-4777 (F)

† N = 8 or 16 bits.

Figure 47. SSIO Passive Mode Input Timing Diagram

Table 121. Timing Requirements for Serial Inputs (Passive Mode)

| Abbreviated Reference | Parameter | Min | Max | Unit |
|-----------------------|----------------------------------|-----|-----|------|
| t70 | Clock Period (high to high) | 38 | —† | ns |
| t71 | Clock Low Time (low to high) | 16 | — | ns |
| t72 | Clock High Time (high to low) | 16 | — | ns |
| t73 | Load High Setup (high to high) | 8 | — | ns |
| t74 | Load Low Setup (low to high) | 8 | — | ns |
| t75 | Load High Hold (high to invalid) | 0 | — | ns |
| t77 | Data Setup (valid to high) | 7 | — | ns |
| t78 | Data Hold (high to invalid) | 0 | — | ns |

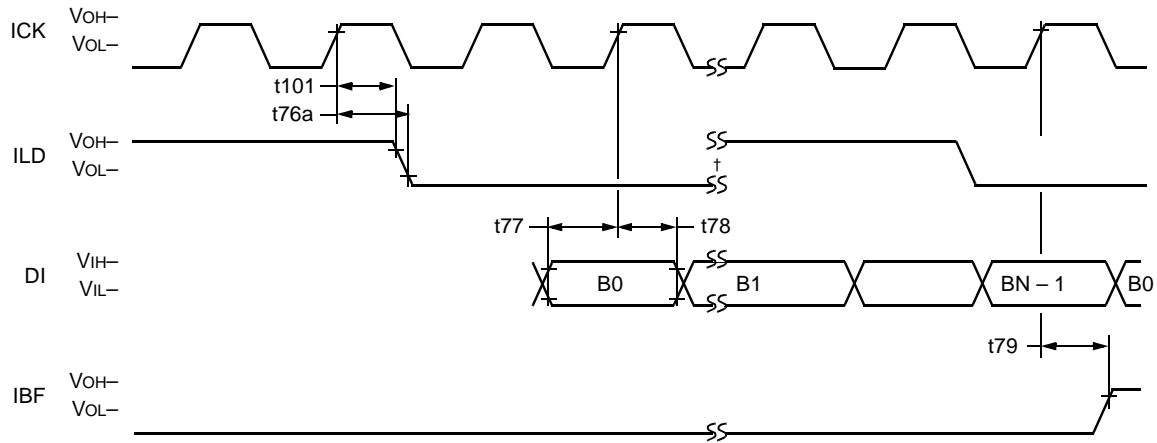
† Device is fully static; t70 is tested at 200 ns.

Table 122. Timing Characteristics for Serial Outputs (Passive Mode)

| Abbreviated Reference | Parameter | Min | Max | Unit |
|-----------------------|--------------------------|-----|-----|------|
| t79 | IBF Delay (high to high) | — | 15 | ns |

Timing Characteristics and Requirements (continued)

Simple Serial I/O (continued)



5-4778 (F)

† ILD goes high during bit 6 (of 0:15), N = 8 or 16 bits.

Figure 48. SSIO Active Mode Input Timing Diagram

Table 123. Timing Requirements for Serial Inputs (Active Mode)

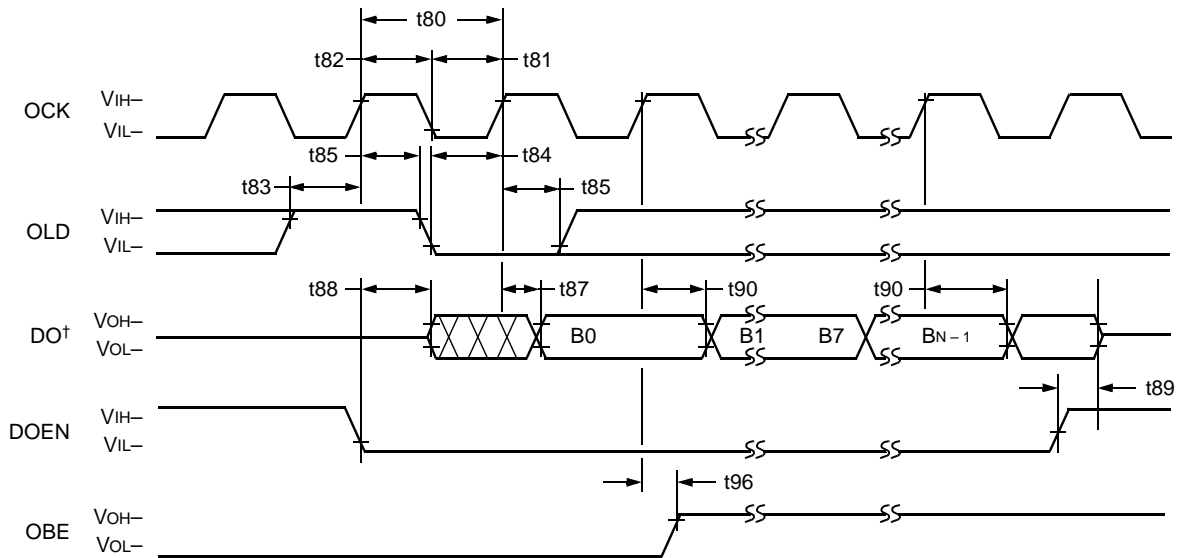
| Abbreviated Reference | Parameter | Min | Max | Unit |
|-----------------------|-----------------------------|-----|-----|------|
| t77 | Data Setup (valid to high) | 8 | — | ns |
| t78 | Data Hold (high to invalid) | 0 | — | ns |

Table 124. Timing Characteristics for Serial Outputs (Active Mode)

| Abbreviated Reference | Parameter | Min | Max | Unit |
|-----------------------|----------------------------|-----|-----|------|
| t76a | ILD Delay (high to low) | — | 20 | ns |
| t101 | ILD Hold (high to invalid) | 1 | — | ns |
| t79 | IBF Delay (high to high) | — | 20 | ns |

Timing Characteristics and Requirements (continued)

Simple Serial I/O (continued)



5-4796(f).b

† See **SSIOC** register, MSB field, to determine if B0 is the MSB or LSB. See **SSIOC** register, ILEN field, to determine if the DO word length is 8 bits or 16 bits. It is assumed that the DODLY bit is 0.

Figure 49. SSIO Passive Mode Output Timing Diagram

Table 125. Timing Requirements for Serial Inputs (Passive Mode)

| Abbreviated Reference | Parameter | Min | Max | Unit |
|-----------------------|--------------------------------|-----|-----|------|
| t80 | Clock Period (high to high) | 38 | —† | ns |
| t81 | Clock Low Time (low to high) | 16 | — | ns |
| t82 | Clock High Time (high to low) | 16 | — | ns |
| t83 | Load High Setup (high to high) | 8 | — | ns |
| t84 | Load Low Setup (low to high) | 8 | — | ns |
| t85 | Load Hold (high to invalid) | 0 | — | ns |

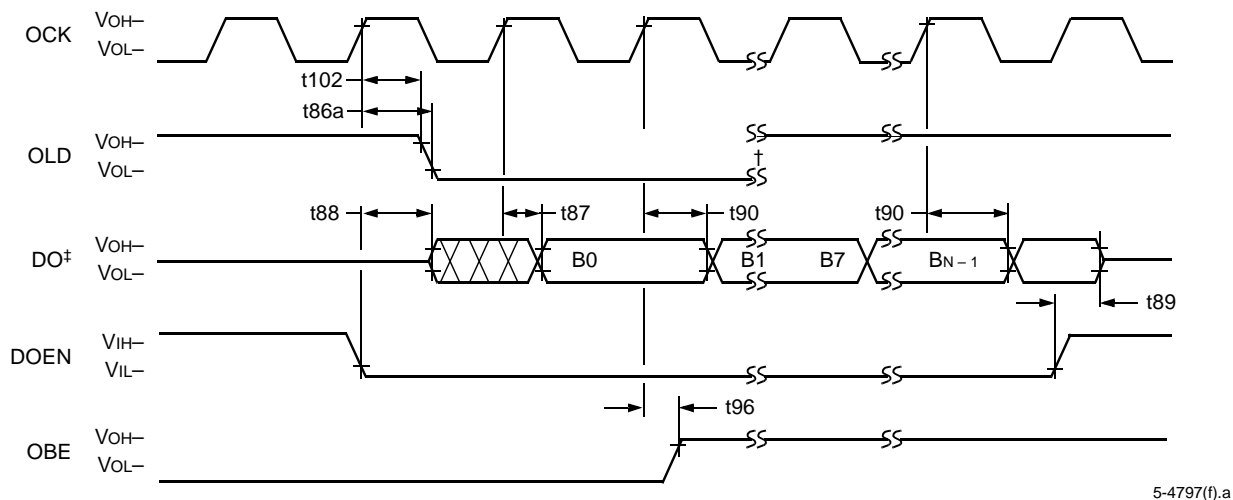
† Device is fully static; t80 is tested at 200 ns.

Table 126. Timing Characteristics for Serial Outputs (Passive Mode)

| Abbreviated Reference | Parameter | Min | Max | Unit |
|-----------------------|--------------------------------------|-----|-----|------|
| t87 | Data Delay (high to valid) | — | 20 | ns |
| t88 | Enable Data Delay (low to active) | — | 20 | ns |
| t89 | Disable Data Delay (high to 3-state) | — | 20 | ns |
| t90 | Data Hold (high to invalid) | 1 | — | ns |
| t96 | OBE Delay (high to high) | — | 20 | ns |

Timing Characteristics and Requirements (continued)

Simple Serial I/O (continued)



5-4797(f).a

† OLD goes high at the end of bit 6 of 0:15.

‡ See **SSIOC** register, MSB field, to determine if B0 is the MSB or LSB. See **SSIOC** register, ILEN field, to determine if the DO word length is 8 bits or 16 bits. It is assumed that the DODLY bit is 0.

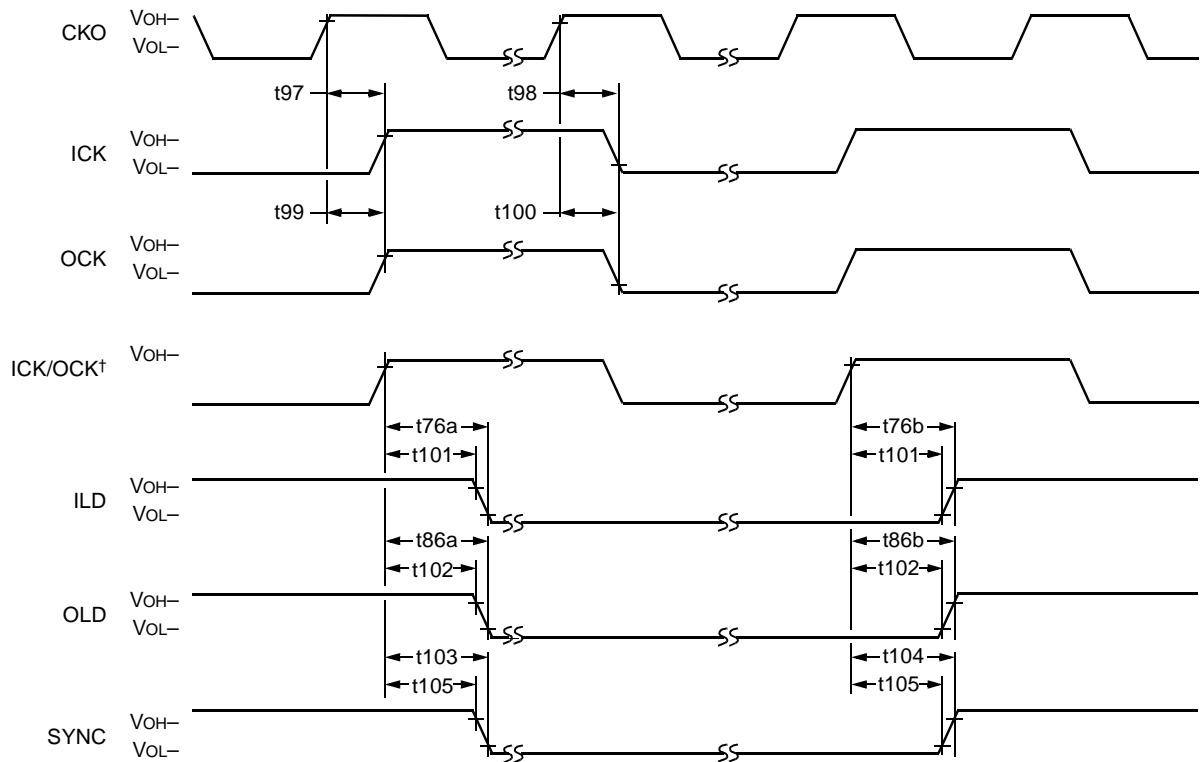
Figure 50. SSIO Active Mode Output Timing Diagram

Table 127. Timing Characteristics for Serial Output (Active Mode)

| Abbreviated Reference | Parameter | Min | Max | Unit |
|-----------------------|--------------------------------------|-----|-----|------|
| t86a | OLD Delay (high to low) | — | 20 | ns |
| t102 | OLD Hold (high to invalid) | 1 | — | ns |
| t87 | Data Delay (high to valid) | — | 20 | ns |
| t88 | Enable Data Delay (low to active) | — | 20 | ns |
| t89 | Disable Data Delay (high to 3-state) | — | 20 | ns |
| t90 | Data Hold (high to invalid) | 1 | — | ns |
| t96 | OBE Delay (high to high) | — | 20 | ns |

Timing Characteristics and Requirements (continued)

Simple Serial I/O (continued)



5-4798 (F)

† See SSI0C register, LD field.

Figure 51. Serial I/O Active Mode Clock Timing

Table 128. Timing Characteristics for Signal Generation (Active Mode)

| Abbreviated Reference | Parameter | Min | Max | Unit |
|-----------------------|-----------------------------|-----|-----|------|
| t97 | ICK Delay (high to high) | — | 15 | ns |
| t98 | ICK Delay (high to low) | — | 15 | ns |
| t99 | OCK Delay (high to high) | — | 15 | ns |
| t100 | OCK Delay (high to low) | — | 15 | ns |
| t76a | ILD Delay (high to low) | — | 20 | ns |
| t76b | ILD Delay (high to high) | — | 20 | ns |
| t101 | ILD Hold (high to invalid) | 1 | — | ns |
| t86a | OLD Delay (high to low) | — | 20 | ns |
| t86b | OLD Delay (high to high) | — | 20 | ns |
| t102 | OLD Hold (high to invalid) | 1 | — | ns |
| t103 | SYNC Delay (high to low) | — | 20 | ns |
| t104 | SYNC Delay (high to high) | — | 20 | ns |
| t105 | SYNC Hold (high to invalid) | 1 | — | ns |

Timing Characteristics and Requirements (continued)

Enhanced Serial I/O

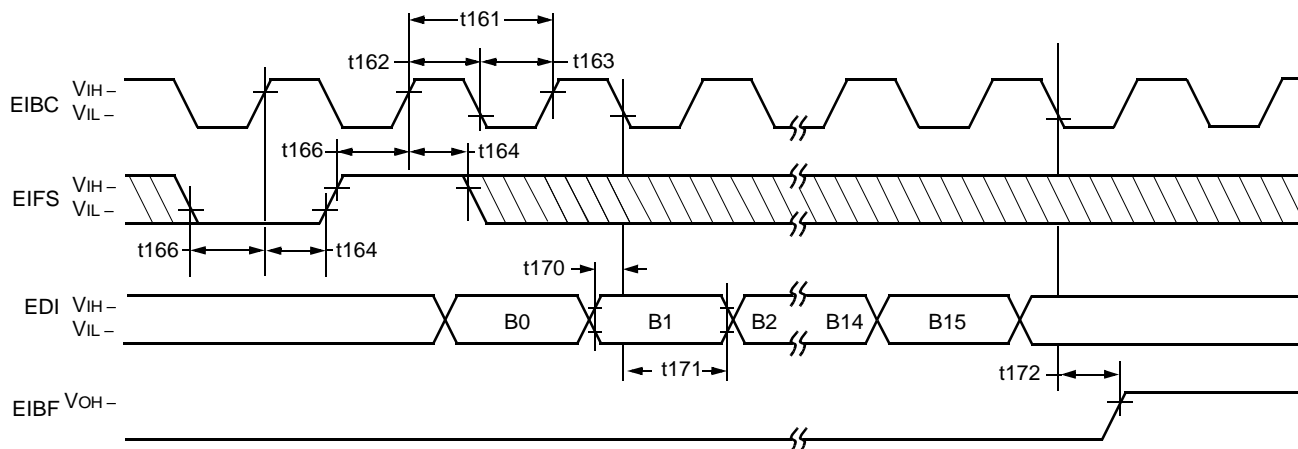


Figure 52. Simple Mode Input Timing Diagram

Note: Simple mode with IMODE = 1, ILEV = 0, ISIZE = 0, ISLEV = 0, and ISDLY = 0.

Table 129. Timing Requirements for ESIO Simple Input Mode

| Abbreviated Reference | Parameter | Min | Max | Unit |
|-----------------------|---|-----|-----|------|
| t161 | EIBC Bit Clock Period (high to high) | 38 | — | ns |
| t162 | EIBC Bit Clock High Time (high to low) | 16 | — | ns |
| t163 | EIBC Bit Clock Low Time (low to high) | 16 | — | ns |
| t164 | EIFS Hold Time (high to low or high to high) | 8 | — | ns |
| t166 | EIFS Setup Time (low to high or high to high) | 8 | — | ns |
| t170 | EDI Data Setup Time (valid to low) | 8 | — | ns |
| t171 | EDI Data Hold Time (low to invalid) | 4 | — | ns |

Table 130. Timing Characteristics for ESIO Simple Input Mode

| Abbreviated Reference | Parameter | Min | Max | Unit |
|-----------------------|--------------------------|-----|-----|------|
| t172 | EIBF Delay (low to high) | — | 20 | ns |

Timing Characteristics and Requirements (continued) Timing Characteristics and Requirements (continued)

Enhanced Serial I/O (continued)

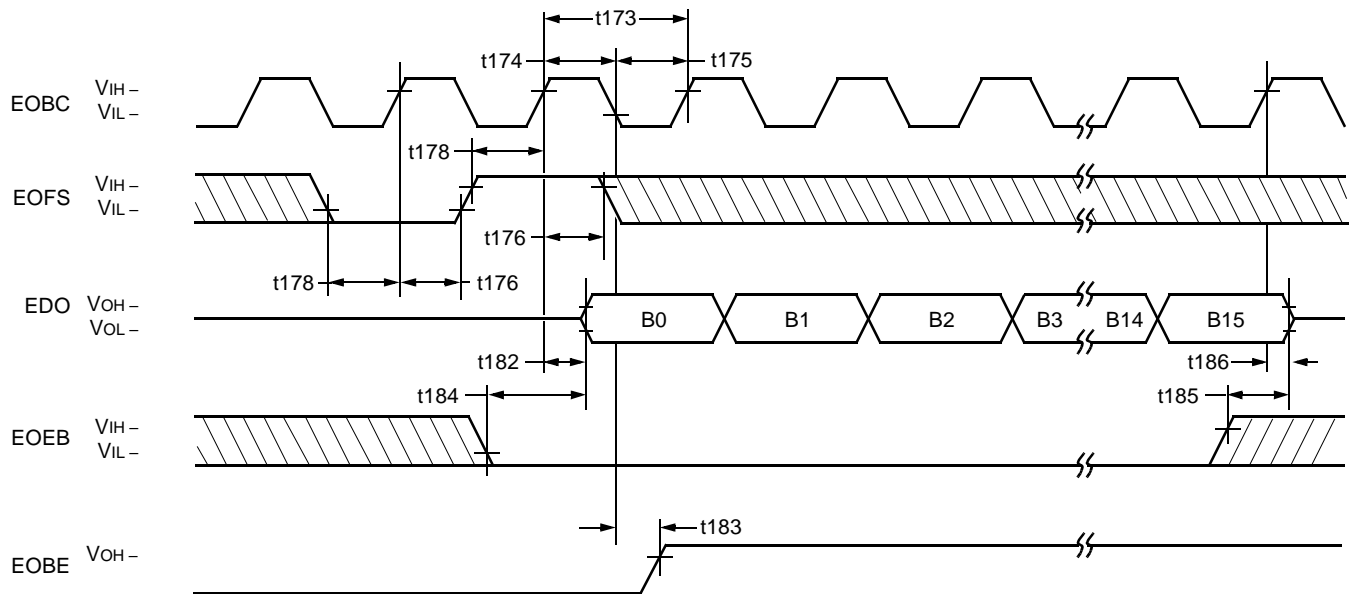


Figure 53. Simple Mode Output Timing Diagram

Note: Simple mode with OMODE = 1, OLEV = 0, OSIZE = 0, and OSLEV = 0.

Table 131. Timing Requirements for ESIO Simple Output Mode

| Abbreviated Reference | Parameter | Min | Max | Unit |
|-----------------------|---|-----|-----|------|
| t173 | EOBC Bit Clock Period (high to high) | 38 | — | ns |
| t174 | EOBC Bit Clock High Time (high to low) | 16 | — | ns |
| t175 | EOBC Bit Clock Low Time (low to high) | 16 | — | ns |
| t176 | EOFS Hold Time (high to low or high to high) | 8 | — | ns |
| t178 | EOFS Setup Time (low to high or high to high) | 8 | — | ns |

Table 132. Timing Characteristics for ESIO Simple Output Mode

| Abbreviated Reference | Parameter | Min | Max | Unit |
|-----------------------|---|-----|-----|------|
| t182† | EDO Data Delay (high to valid) | — | 20 | ns |
| t183 | EOBE Delay (low to high) | — | 20 | ns |
| t184† | External Enable Data (low to active) | — | 20 | ns |
| t185‡ | External Disable Data (high to 3-state) | — | 20 | ns |
| t186‡ | EDO 3-state Delay (high to 3-state) | — | 20 | ns |

† EDO is active after the t182 interval or t184 interval, whichever occurs last.

‡ EDO is inactive after the t185 interval or t186 interval, whichever occurs first.

Timing Characteristics and Requirements (continued)

Enhanced Serial I/O (continued)

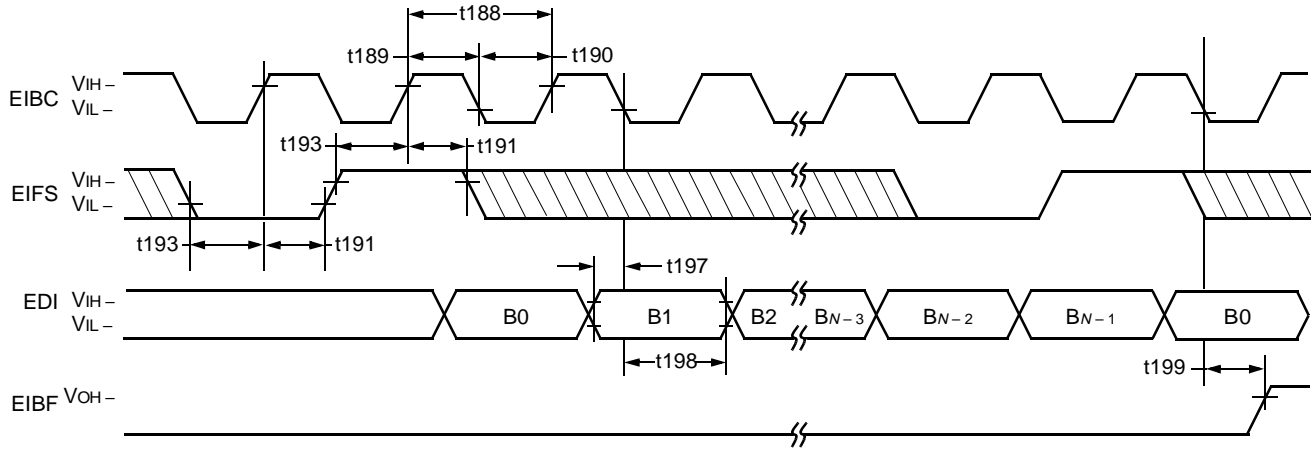


Figure 54. Frame Mode Input Timing Diagram

Note: Frame mode with $IMODE = 0$, $ILEV = 0$, $ISIZE = 0$, $ISLEV = 0$, $ISDLY = 0$, and $IFRMSZ[1:0] = N$.

Table 133. Timing Requirements for ESIO Frame Input Mode

| Abbreviated Reference | Parameter | Min | Max | Unit |
|-----------------------|---|-----|-----|------|
| t188 | EIBC Bit Clock Period (high to high) | 122 | — | ns |
| t189 | EIBC Bit Clock High Time (high to low) | 16 | — | ns |
| t190 | EIBC Bit Clock Low Time (low to high) | 16 | — | ns |
| t191 | EIFS Hold Time (high to low or high to high) | 8 | — | ns |
| t193 | EIFS Setup Time (low to high or high to high) | 8 | — | ns |
| t197 | EDI Data Setup Time (valid to low) | 8 | — | ns |
| t198 | EDI Data Hold Time (low to invalid) | 4 | — | ns |

Table 134. Timing Characteristics for ESIO Frame Input Mode

| Abbreviated Reference | Parameter | Min | Max | Unit |
|-----------------------|--------------------------|-----|-----|------|
| t199 | EIBF Delay (low to high) | — | 20 | ns |

Timing Characteristics and Requirements (continued)

Enhanced Serial I/O (continued)

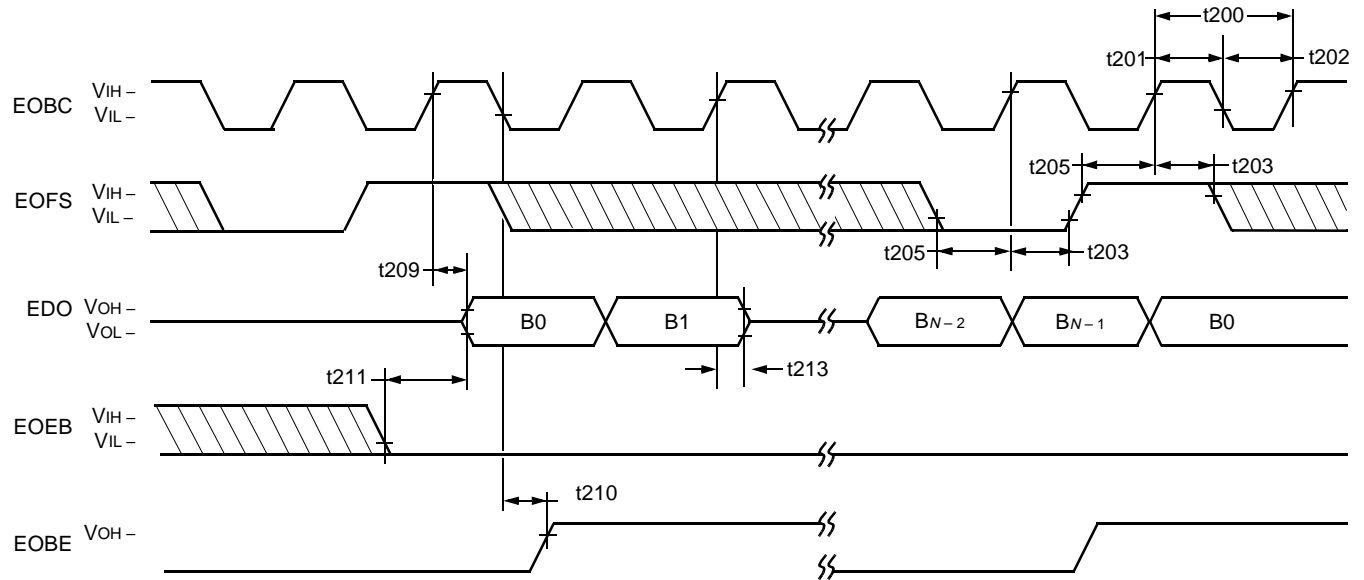


Figure 55. Frame Mode Output Timing Diagram

Note: Frame mode with OMODE = 0, OLEV = 0, OSIZE = 0, OSLEV = 0, and OFRMSZ[1:0] = N.

Table 135. Timing Requirements for ESIO Frame Output Mode

| Abbreviated Reference | Parameter | Min | Max | Unit |
|-----------------------|---|-----|-----|------|
| t200 | EOBC Bit Clock Period (high to high) | 122 | — | ns |
| t201 | EOBC Bit Clock High Time (high to low) | 16 | — | ns |
| t202 | EOBC Bit Clock Low Time (low to high) | 16 | — | ns |
| t203 | EOFS Hold Time (high to low or high to high) | 8 | — | ns |
| t205 | EOFS Setup Time (low to high or high to high) | 8 | — | ns |

Table 136. Timing Characteristics for ESIO Frame Output Mode

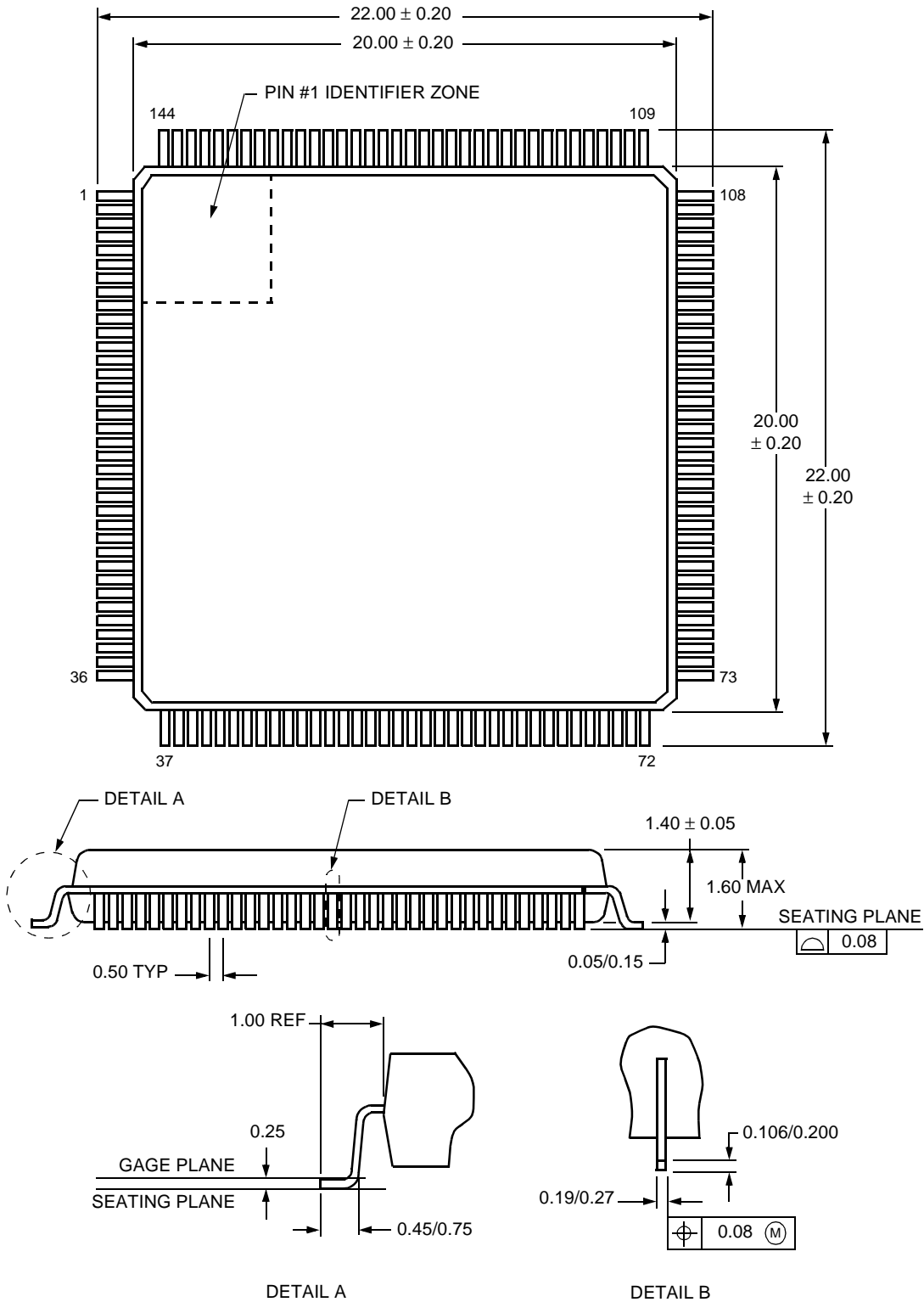
| Abbreviated Reference | Parameter | Min | Max | Unit |
|-----------------------|--|-----|-----|------|
| t209 [†] | EDO Data Delay (high to valid) | — | 20 | ns |
| t210 | EOBE Delay (low to high) | — | 20 | ns |
| t211 [†] | EOEB External Enable Delay (low to active) | — | 20 | ns |
| t213 | EDO 3-state Delay (high to 3-state) | — | 20 | ns |

[†] EDO is active after the t209 interval or t211 interval, whichever occurs last.

Outline Diagrams

144-Pin TQFP Outline Diagram

All dimensions are in millimeters.



5-3815 (F)

Notes

For additional information, contact your Microelectronics Group Account Manager or the following:

INTERNET: <http://www.lucent.com/micro>

E-MAIL: docmaster@micro.lucent.com

N. AMERICA: Microelectronics Group, Lucent Technologies Inc., 555 Union Boulevard, Room 30L-15P-BA, Allentown, PA 18109-3286

1-800-372-2447, FAX 610-712-4106 (In CANADA: **1-800-553-2448**, FAX 610-712-4106)

ASIA PACIFIC: Microelectronics Group, Lucent Technologies Singapore Pte. Ltd., 77 Science Park Drive, #03-18 Cintech III, Singapore 118256

Tel. (65) 778 8833, FAX (65) 777 7495

CHINA: Microelectronics Group, Lucent Technologies (China) Co., Ltd., A-F2, 23/F, Zao Fong Universe Building, 1800 Zhong Shan Xi Road, Shanghai 200233 P. R. China **Tel. (86) 21 6440 0468, ext. 325**, FAX (86) 21 6440 0652

JAPAN: Microelectronics Group, Lucent Technologies Japan Ltd., 7-18, Higashi-Gotanda 2-chome, Shinagawa-ku, Tokyo 141, Japan

Tel. (81) 3 5421 1600, FAX (81) 3 5421 1700

EUROPE: Data Requests: MICROELECTRONICS GROUP DATALINE: **Tel. (44) 7000 582 368**, FAX (44) 1189 328 148

Technical Inquiries: GERMANY: **(49) 89 95086 0** (Munich), UNITED KINGDOM: **(44) 1344 865 900** (Ascot),

FRANCE: **(33) 1 40 83 68 00** (Paris), SWEDEN: **(46) 8 594 607 00** (Stockholm), FINLAND: **(358) 9 4354 2800** (Helsinki),

ITALY: **(39) 02 6608131** (Milan), SPAIN: **(34) 1 807 1441** (Madrid)

Lucent Technologies Inc. reserves the right to make changes to the product(s) or information contained herein without notice. No liability is assumed as a result of their use or application. No rights under any patent accompany the sale of any such product(s) or information.





Significant Changes to the DSP16210 Digital Signal Processor Data Sheet Since January 1999

| Page(s) | Change |
|------------------------|---|
| 20 | The last paragraph on this page had stated that writing a 1 to a bit in the ins register resets the corresponding interrupt source. This statement was not correct and has been modified. |
| 24 | The first paragraph on this page had stated that a separate vector, TRAP, is provided for the pin trap. The name of this vector is actually PTRAP. |
| 44 | In Table 18. MIOU(0,1) Command (mcmd(0,1)) Register , the INPT_DS command was missing. It has been added. |
| 48, 86 | In Table 21. MIOU Command Latencies , the register read-write latencies for the morp(0,1) and miwp(0,1) registers were removed. This is because these latencies are now automatically compensated by the DSP16000 assembler. This is explained in Peripheral Register Write-Read Latency . |
| 78 | In Table 34. Overall Replacement Table , definitions for the new symbols aDEE, aSEE, and aTEE were added. This agrees with the symbols in Table 32. Instruction Set Summary , Table 36. F1E Function Statement Syntax , and with the <i>DSP16000 Digital Signal Processor Core Information Manual</i> . |
| 91 | The description of the alf register was expanded. |
| 127 | In Table 81. Command Encoding for Boot Routines , the following changes were made: The command code 0x98 was added. |
| 130 | Corrections were made to entries in the PODS/PDS column for command codes 0x12, 0x52, 0x13, 0x53, 0x14, and 0x54. |
| 131 | A correction was made to the description for command code 0x15. Also, the following command codes were added: 0x55, 0x95, and 0xD5. |