

# DSP56824

## *Technical Data*

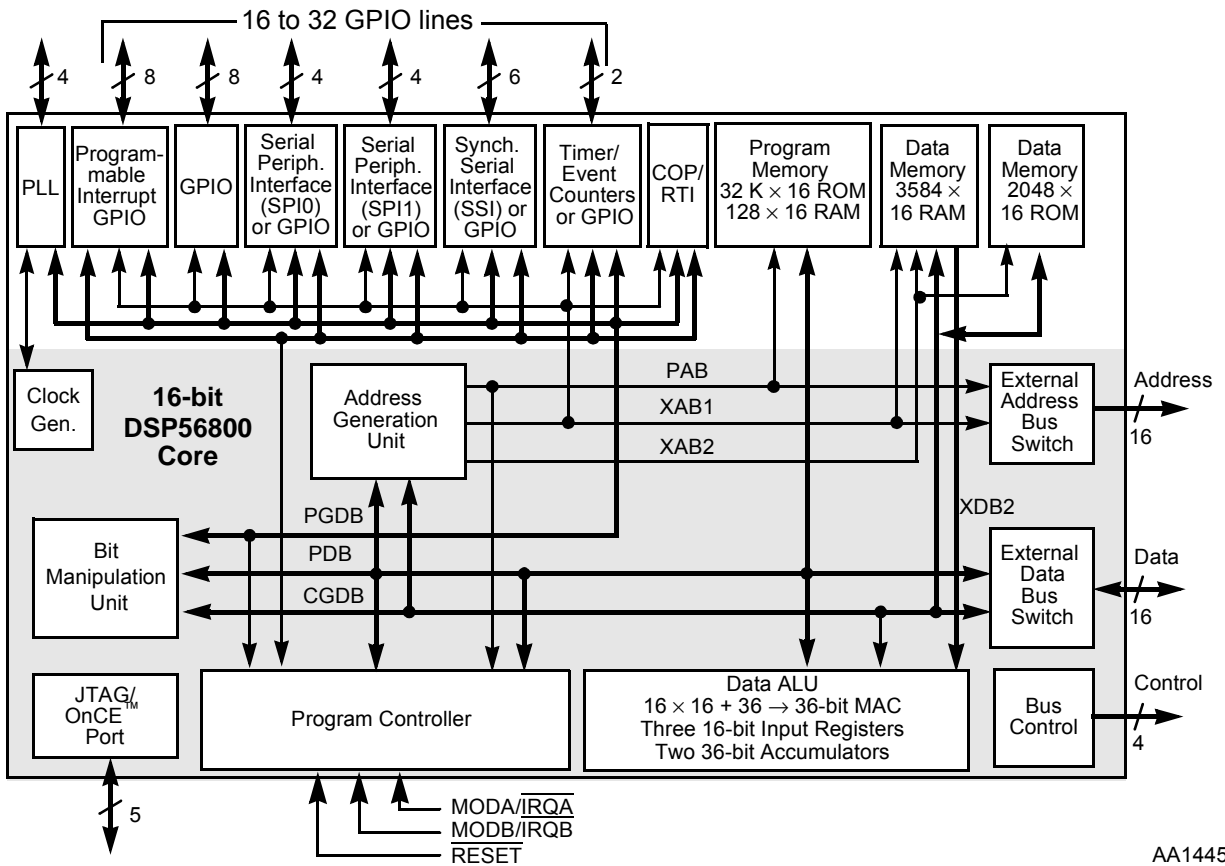
### **DSP56824 16-Bit Digital Signal Processor**

The DSP56824 is a member of the DSP56800 core-based family of Digital Signal Processors (DSPs). This general purpose DSP combines processing power with configuration flexibility, making it an excellent cost-effective solution for signal processing and control functions. Because of its low cost, configuration flexibility, and compact program code, the DSP56824 is well-suited for cost-sensitive applications, such as digital wireless messaging, digital answering machines/feature phones, modems, and digital cameras. The DSP56800 core consists of three execution units operating in parallel, allowing as many as six operations per instruction cycle. The MPU-style programming model and optimized instruction set allow straightforward generation of efficient, compact DSP and control code. The instruction set is also highly efficient for C Compilers. The DSP56824 supports program execution from either internal or external memories. Two data operands can be accessed from the on-chip data RAM per instruction cycle. The rich set of programmable peripherals and ports provides support for interfacing multiple external devices, such as codecs, microprocessors, or other DSPs. The DSP56824 also provides two external dedicated interrupt lines and sixteen to thirty-two General Purpose Input/Output (GPIO) lines, depending on peripheral configuration (see Figure 1).

# Table of Contents

<b>Part 1 Overview</b>	<b>3</b>
1.1 Data Sheet Conventions	4
1.2 DSP56824 Features	5
1.3 Product Documentation	7
1.4 For the Latest Information	7
<b>Part 2 Signal/Connection Descriptions</b>	<b>8</b>
2.1 Introduction	8
2.2 Power and Ground Signals	9
2.3 Clock and Phase Lock Loop Signals	10
2.4 Address, Data, and Bus Control Signals	10
2.5 Interrupt and Mode Control Signals	12
2.6 GPIO Signals	13
2.7 Serial Peripheral Interface (SPI) Signals	14
2.8 Synchronous Serial Interface (SSI) Signals	16
2.9 Timer Module Signals	17
2.10 JTAG/OnCE™ Port Signals	18
<b>Part 3 Specifications</b>	<b>19</b>
3.1 General Characteristics	19
3.2 DC Electrical Characteristics	20
3.3 AC Electrical Characteristics	21
3.4 External Clock Operation	22
3.5 External Components for the PLL	24
3.6 Port A External Bus Synchronous Timing	26
3.7 Port A External Bus Asynchronous Timing	29
3.8 Reset, Stop, Wait, Mode Select, and Interrupt Timing	30
3.9 Port B and C Pin GPIO Timing	34
3.10 Serial Peripheral Interface (SPI) Timing	36
3.11 Synchronous Serial Interface (SSI) Timing	41
3.12 Timer Timing	47
3.13 JTAG Timing	48
<b>Part 4 Packaging</b>	<b>51</b>
4.1 Package and Pin-Out Information	51
4.2 Ordering Drawings	57
<b>Part 5 Design Considerations</b>	<b>58</b>
5.1 Thermal Design Considerations	58
5.2 Electrical Design Considerations	60
<b>Part 6 Ordering Information</b>	<b>61</b>

# Part 1 Overview



AA1445

Figure 1. DSP56824 Block Diagram

Freescale Semiconductor, Inc.

## 1.1 Data Sheet Conventions

This document uses the following conventions:

- $\overline{\text{OVERBAR}}$  is used to indicate a signal that is active when pulled low: for example,  $\overline{\text{RESET}}$ .
- *Logic level one* is a voltage that corresponds to Boolean true (1) state.
- *Logic level zero* is a voltage that corresponds to Boolean false (0) state.
- To *set* a bit or bits means to establish logic level one.
- To *clear* a bit or bits means to establish logic level zero.
- A *signal* is an electronic construct whose state or changes in state convey information.
- A *pin* is an external physical connection. The same pin can be used to connect a number of signals.
- *Asserted* means that a discrete signal is in active logic state.
  - *Active low* signals change from logic level one to logic level zero.
  - *Active high* signals change from logic level zero to logic level one.
- *Deasserted* means that an asserted discrete signal changes logic state.
  - *Active low* signals change from logic level zero to logic level one.
  - *Active high* signals change from logic level on to logic level zero.
- **LSB** means *least significant bit or bits*. **MSB** means *most significant bit or bits*. References to low and high bytes or words are spelled out.

Please refer to the examples in Table 1.

**Table 1. Data Conventions**

Signal/Symbol	Logic State	Signal State	Voltage
$\overline{\text{PIN}}$	True	Asserted	$V_{IL}/V_{OL}$
$\overline{\text{PIN}}$	False	Deasserted	$V_{IH}/V_{OH}$
PIN	True	Asserted	$V_{IH}/V_{OH}$
PIN	False	Deasserted	$V_{IL}/V_{OL}$

## 1.2 DSP56824 Features

### 1.2.1 Digital Signal Processing Core

- Efficient 16-bit DSP56800 family DSP engine
- As many as 35 Million Instructions Per Second (MIPS) at 70 MHz
- Single-cycle  $16 \times 16$ -bit parallel Multiplier-Accumulator (MAC)
- Two 36-bit accumulators including extension bits
- 16-bit bidirectional barrel shifter
- Parallel instruction set with unique DSP addressing modes
- Hardware DO and REP loops
- Three internal address buses and one external address bus
- Four internal data buses and one external data bus
- Instruction set supports both DSP and controller functions
- Controller style addressing modes and instructions for compact code
- Efficient C Compiler and local variable support
- Software subroutine and interrupt stack with unlimited depth

### 1.2.2 Memory

- On-chip Harvard architecture permits as many as three simultaneous accesses to program and data memory
- On-chip memory
  - $32 \text{ K} \times 16$  Program ROM
  - $128 \times 16$  Program RAM
  - $3.5 \text{ K} \times 16 \text{ X}$  RAM usable for both data and programs
  - $2 \text{ K} \times 16 \text{ X}$  data ROM
- Off-chip memory expansion capabilities
  - As much as  $64 \text{ K} \times 16 \text{ X}$  data memory
  - As much as  $64 \text{ K} \times 16$  program memory
  - External memory expansion port programmable for 1 to 15 wait states
- Programs can run out of X data RAM

### 1.2.3 Peripheral Circuits

- External Memory Interface (Port A)
- Sixteen dedicated GPIO pins (eight pins programmable as interrupts)
- Serial Peripheral Interface (SPI) support: Two configurable four-pin ports (SPI0 and SPI1) (or eight additional GPIO lines)
  - Supports LCD drivers, A/D subsystems, and MCU systems
  - Supports inter-processor communications in a multiple master system
  - Supports demand-driven master or slave devices with high data rates

- Synchronous Serial Interface (SSI) support: One 6-pin port (or six additional GPIO lines)
  - Supports serial devices with one or more industry-standard codecs, other DSPs, microprocessors, and Freescale SPI-compliant peripherals
  - Allows implementing synchronous or synchronous transmit and receive sections with separate or shared internal/external clocks and frame syncs
  - Supports Network mode using frame sync and as many as 32 time slots
  - Can be configured for 8-bit, 10-bit, 12-bit, and 16-bit data word lengths
- Three programmable 16-bit timers (accessed using two I/O pins that can also be programmed as two additional GPIO lines)
- Computer-Operating Properly (COP) and Real-Time Interrupt (RTI) timers
- Two external interrupt/mode control pins
- One external reset pin for hardware reset
- JTAG/On-Chip Emulation (OnCE™) 5-pin port for unobtrusive, processor speed-independent debugging
- Extended debug capability with second breakpoint and 8-level OnCE FIFO history buffer
- Software-programmable, Phase Lock Loop-based (PLL-based) frequency synthesizer for the DSP core clock

## 1.2.4 Energy Efficient Design

- A single 2.7–3.6 V power supply
- Power-saving Wait and multiple Stop modes available
- Fully static, HCMOS design for 70 MHz to dc operating frequencies
- Available in plastic 100-pin Thin Quad Flat Pack (TQFP) surface-mount package



## Part 2 Signal/Connection Descriptions

### 2.1 Introduction

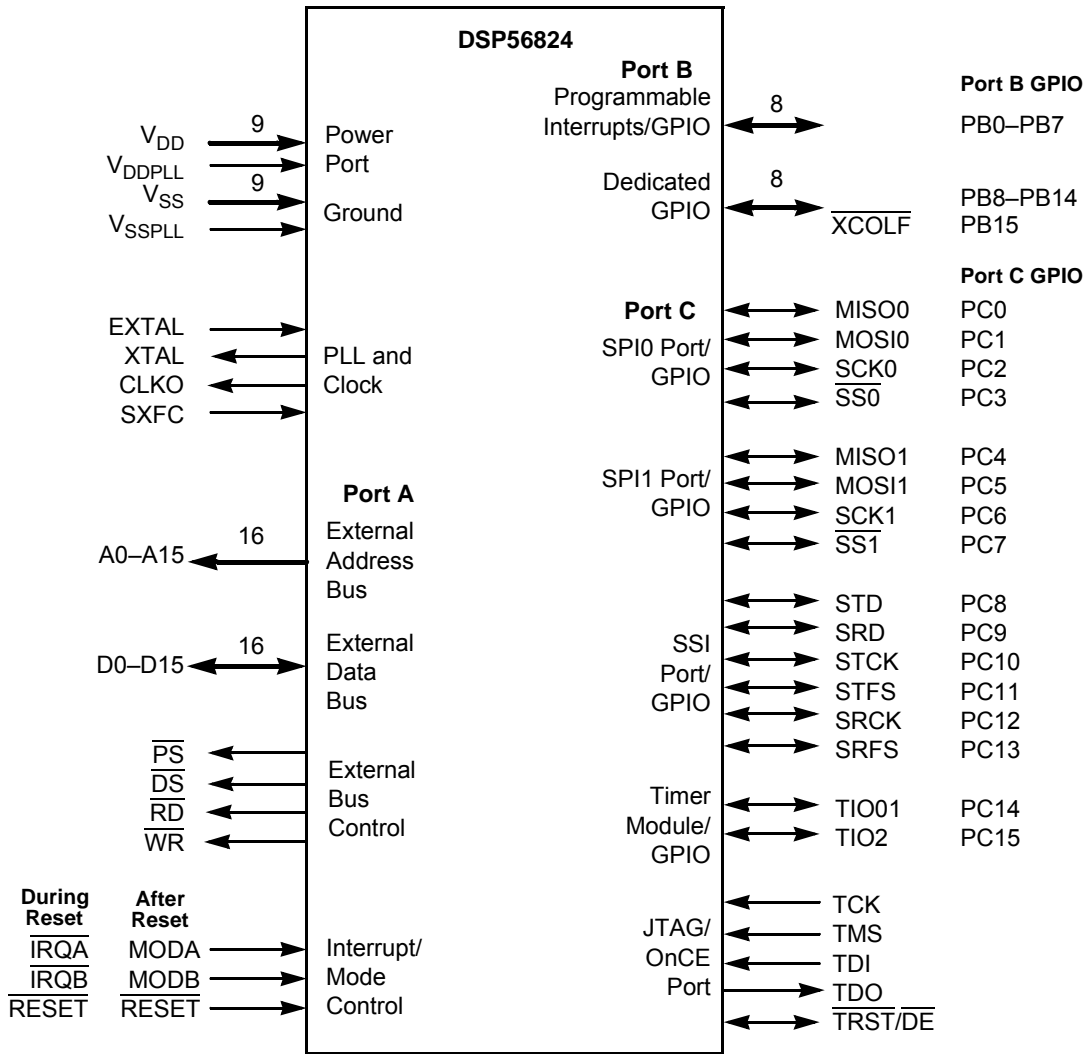
The input and output signals of the DSP56824 are organized into functional groups, as shown in Table 3 and as illustrated in Figure 2. In Table 4 through Table 16, each table row describes the signal or signals present on a pin. Figure 2 provides a diagram of DSP56824 signals by functional group.

**Table 3. Functional Group Pin Allocations**

Functional Group	Number of Pins	Detailed Description
Power ( $V_{DD}$ or $V_{DDPLL}$ )	10	Table 4
Ground ( $V_{SS}$ or $V_{SSPLL}$ )	10	Table 5
PLL and Clock	4	Table 6
Address Bus	16	Table 7
Data Bus	16	Table 8
Bus Control	4	Table 9
Interrupt and Mode Control	3	Table 10
Programmable Interrupt General Purpose Input/Output	8	Table 11
Dedicated General Purpose Input/Output	8	Table 12
Serial Peripheral Interface (SPI) Ports <sup>1</sup>	8	Table 13
Synchronous Serial Interface (SSI) Port <sup>1</sup>	6	Table 14
Timer Module <sup>1</sup>	2	Table 15
JTAG/On-Chip Emulation (OnCE)	5	Table 16

1. Alternately, GPIO pins





AA1446

Figure 2. DSP56824 Signals Identified by Functional Group

## 2.2 Power and Ground Signals

Table 4. Power Inputs

Signal Name (number of pins)	Signal Description
V <sub>DD</sub> (9)	<b>Power</b> —These pins provide power to the internal structures of the chip, and should all be attached to V <sub>DD</sub> .
V <sub>DDPLL</sub>	<b>PLL Power</b> —This pin supplies a quiet power source to the VCO to provide greater frequency stability.

Table 5. Grounds

Signal Name (number of pins)	Signal Description
V <sub>SS</sub> (9)	<b>GND</b> —These pins provide grounding for the internal structures of the chip, and should all be attached to V <sub>SS</sub> .
V <sub>SSPLL</sub>	<b>PLL Ground</b> —This pin supplies a quiet ground to the VCO to provide greater frequency stability.

## 2.3 Clock and Phase Lock Loop Signals

Table 6. PLL and Clock Signals

Signal Name	Signal Type	State During Reset	Signal Description
EXTAL	Input	Input	<b>External Clock/Crystal Input</b> —This input should be connected to an external clock or oscillator. After being squared, the input clock can be selected to provide the clock directly to the DSP core. The minimum instruction time is two input clock periods, broken up into four phases named T0, T1, T2, and T3. This input clock can also be selected as input clock for the on-chip PLL.
XTAL	Output	Chip-driven	<b>Crystal Output</b> —This output connects the internal crystal oscillator output to an external crystal. If an external clock is used, XTAL should not be connected.
CLKO	Output	Chip-driven	<b>Clock Output</b> —This pin outputs a buffered clock signal. By programming the CS[1:0] bits in the PLL Control Register (PCR1), the user can select between outputting a squared version of the signal applied to EXTAL and a version of the DSP master clock at the output of the PLL. The clock frequency on this pin can also be disabled by programming the CS[1:0] bits in PCR1.
SXFC	Input	Input	<b>External Filter Capacitor</b> —This pin is used to add an external filter circuit to the Phase Lock Loop (PLL). Refer to Figure 9 on page 25.

## 2.4 Address, Data, and Bus Control Signals

Table 7. Address Bus Signals

Signal Name	Signal Type	State During Reset	Signal Description
A0–A15	Output	Tri-stated	<b>Address Bus</b> —A0–A15 change in T0, and specify the address for external program or data memory accesses.

### Table 8. Data Bus Signals

Signal Name	Signal Type	State During Reset	Signal Description
D0–D15	Input/Output	Tri-stated	<b>Data Bus</b> —Read data is sampled in by the trailing edge of T2, while write data output is enabled by the leading edge of T2 and tri-stated by the leading edge of T0. D0–D15 are tri-stated when the external bus is inactive.

### Table 9. Bus Control Signals

Signal Name	Signal Type	State During Reset	Signal Description
$\overline{PS}$	Output	Tri-stated	<b>Program Memory Select</b> — $\overline{PS}$ is asserted low for external program memory access. If the external bus is not used during an instruction cycle (T0, T1, T2, T3), $\overline{PS}$ goes high in T0.
$\overline{DS}$	Output	Tri-stated	<b>Data Memory Select</b> — $\overline{DS}$ is asserted low for external data memory access. If the external bus is not used during an instruction cycle (T0, T1, T2, T3), $\overline{DS}$ goes high in T0.
$\overline{WR}$	Output	Tri-stated	<b>Write Enable</b> — $\overline{WR}$ is asserted during external memory write cycles. When $\overline{WR}$ is asserted low in T1, pins D0–D15 become outputs and the DSP puts data on the bus during the leading edge of T2. When $\overline{WR}$ is deasserted high in T3, the external data is latched inside the external device. When $\overline{WR}$ is asserted, it qualifies the A0–A15, $\overline{PS}$ , and $\overline{DS}$ pins. $\overline{WR}$ can be connected directly to the $\overline{WE}$ pin of a Static RAM.
$\overline{RD}$	Output	Tri-stated	<b>Read Enable</b> — $\overline{RD}$ is asserted during external memory read cycles. When $\overline{RD}$ is asserted low late T0/early T1, pins D0–D15 become inputs and an external device is enabled onto the DSP data bus. When $\overline{RD}$ is deasserted high in T3, the external data is latched inside the DSP. When $\overline{RD}$ is asserted, it qualifies the A0–A15, $\overline{PS}$ , and $\overline{DS}$ pins. $\overline{RD}$ can be connected directly to the $\overline{OE}$ pin of a Static RAM or ROM.

## 2.5 Interrupt and Mode Control Signals

Table 10. Interrupt and Mode Control Signals

Signal Name	Signal Type	State During Reset	Signal Description
MODA	Input	Input	<b>Mode Select A</b> —During hardware reset, MODA and MODB select one of the four initial chip operating modes latched into the Operating Mode Register (OMR). Several clock cycles (depending on PLL setup time) after leaving the Reset state, the MODA pin changes to external interrupt request $\overline{\text{IRQA}}$ . The chip operating mode can be changed by software after reset.
$\overline{\text{IRQA}}$	Input		<b>External Interrupt Request A</b> —The $\overline{\text{IRQA}}$ input is a synchronized external interrupt request that indicates that an external device is requesting service. It can be programmed to be level-sensitive or negative-edge-triggered. If level-sensitive triggering is selected, an external pull up resistor is required for wired-OR operation.  If the processor is in the Stop state and $\overline{\text{IRQA}}$ is asserted, the processor will exit the Stop state.
MODB	Input	Input	<b>Mode Select B/External Interrupt Request B</b> —During hardware reset, MODA and MODB select one of the four initial chip operating modes latched into the Operating Mode Register (OMR). Several clock cycles (depending on PLL setup time) after leaving the Reset state, the MODB pin changes to external interrupt request $\overline{\text{IRQB}}$ . After reset, the chip operating mode can be changed by software.
$\overline{\text{IRQB}}$	Input		<b>External Interrupt Request B</b> —The $\overline{\text{IRQB}}$ input is an external interrupt request that indicates that an external device is requesting service. It can be programmed to be level-sensitive or negative-edge-triggered. If level-sensitive triggering is selected, an external pull up resistor is required for wired-OR operation.
$\overline{\text{RESET}}$	Input	Input	<b>Reset</b> —This input is a direct hardware reset on the processor. When $\overline{\text{RESET}}$ is asserted low, the DSP is initialized and placed in the Reset state. A Schmitt trigger input is used for noise immunity. When the $\overline{\text{RESET}}$ pin is deasserted, the initial chip operating mode is latched from the MODA and MODB pins. The internal reset signal should be deasserted synchronous with the internal clocks.  To ensure complete hardware reset, $\overline{\text{RESET}}$ and $\overline{\text{TRST/DE}}$ should be asserted together. The only exception occurs in a debugging environment when a hardware DSP reset is required and it is necessary not to reset the OnCE/JTAG module. In this case, assert $\overline{\text{RESET}}$ , but do not assert $\overline{\text{TRST/DE}}$ .

## 2.6 GPIO Signals

Table 11. Programmable Interrupt GPIO Signals

Signal Name	Signal Type	State During Reset	Signal Description
PB0–PB7	Input or Output	Input	<p><b>Port B GPIO</b>—These eight pins can be programmed to generate an interrupt for any pin programmed as an input when there is a transition on that pin. Each pin can individually be configured to recognize a low-to-high or a high-to-low transition. In addition, these pins are dedicated General Purpose I/O (GPIO) pins that can individually be programmed as input or output pins.</p> <p>After reset, the default state is GPIO input.</p>

Table 12. Dedicated General Purpose Input/Output (GPIO) Signals

Signal Name	Signal Type	State During Reset	Signal Description
PB8–PB14	Input or Output	Input	<p><b>Port B GPIO</b>—These seven pins are dedicated General Purpose I/O (GPIO) pins that can individually be programmed as input or output pins.</p> <p>After reset, the default state is GPIO input.</p>
$\overline{\text{XCOLF}}$	Input	Input, pulled high internally	<p><b>XCOLF</b>—During reset, the External Crystal Oscillator Low Frequency (<math>\overline{\text{XCOLF}}</math>) function of this pin is active. PB15/<math>\overline{\text{XCOLF}}</math> is tied to an on-chip pull-up transistor that is active during reset. When <math>\overline{\text{XCOLF}}</math> is driven low during reset (or tied to a 10 k<math>\Omega</math> pull-down resistor), the crystal oscillator amplifier is set to a low frequency mode. In this low-frequency mode, only oscillator frequencies of 32 kHz and 38.4 kHz are supported. If <math>\overline{\text{XCOLF}}</math> is not driven low during reset (or if a pull-down resistor is not used), the crystal oscillator amplifier operates in the Default mode, and oscillator frequencies from 2 MHz to 10 MHz are supported. If an external clock is provided to the EXTAL pin, 40 MHz is the maximum frequency allowed. (In this case, do not connect a pull-down resistor or drive this pin low during reset.)</p>
PB15	Input or Output		<p><b>Port B GPIO</b>—This pin is a dedicated GPIO pin that can individually be programmed as an input or output pin.</p> <p>After reset, the default state is GPIO input.</p>

Freescale Semiconductor, Inc.

## 2.7 Serial Peripheral Interface (SPI) Signals

Table 13. Serial Peripheral Interface (SPI0 and SPI1) Signals

Signal Name	Signal Type	State During Reset	Signal Description
MISO0	Input/Output	Input	<b>SPI0 Master In/Slave Out (MISO0)</b> —This serial data pin is an input to a master device and an output from a slave device. The MISO0 line of a slave device is placed in the high-impedance state if the slave device is not selected. The driver on this pin can be configured as an open-drain driver by the SPI's WOM bit when this pin is configured for SPI operation. When using Wired-OR mode, the user must provide an external pull-up device.
PC0	Input or Output		<b>Port C GPIO 0 (PC0)</b> —This pin is a GPIO pin called PC0 when the SPI MISO0 function is not being used.  After reset, the default state is GPIO input.
MOSI0	Input/Output	Input	<b>SPI0 Master Out/Slave In (MOSI0)</b> —This serial data pin is an output from a master device and an input to a slave device. The master device places data on the MOSI0 line a half-cycle before the clock edge that the slave device uses to latch the data. The driver on this pin can be configured as an open-drain driver by the SPI's WOM bit when this pin is configured for SPI operation. When using Wired-OR mode, the user must provide an external pull-up device.
PC1	Input or Output		<b>Port C GPIO 1 (PC1)</b> —This pin is a GPIO pin called PC1 when the SPI MOSI0 function is not being used.  After reset, the default state is GPIO input.
SCK0	Input/Output	Input	<b>SPI0 Serial Clock</b> —This bidirectional pin provides a serial bit rate clock for the SPI. This gated clock signal is an input to a slave device and is generated as an output by a master device. Slave devices ignore the SCK signal unless the slave select pin is active low. In both master and slave SPI devices, data is shifted on one edge of the SCK signal and is sampled on the opposite edge where data is stable. The driver on this pin can be configured as an open-drain driver by the SPI's WOM bit when this pin is configured for SPI operation. When using Wired-OR mode, the user must provide an external pull-up device.
PC2	Input or Output		<b>Port C GPIO 2 (PC2)</b> —This pin is a GPIO pin called PC2 when the SPI SCK0 function is not being used.  After reset, the default state is GPIO input.
SS0	Input	Input	<b>SPI0 Slave Select</b> —This input pin selects a slave device before a master device can exchange data with the slave device. $\overline{SS}$ must be low before data transactions and must stay low for the duration of the transaction. The $\overline{SS}$ line of the master must be held high.
PC3	Input or Output		<b>Port C GPIO 3 (PC3)</b> —This pin is a GPIO pin called PC3 when the SPI $\overline{SS0}$ function is not being used.  After reset, the default state is GPIO input.

**Table 13. Serial Peripheral Interface (SPI0 and SPI1) Signals (Continued)**

Signal Name	Signal Type	State During Reset	Signal Description
MISO1	Input/Output	Input	<b>SPI1 Master In/Slave Out</b> —This serial data pin is an input to a master device and an output from a slave device. The MISO1 line of a slave device is placed in the high-impedance state if the slave device is not selected. The driver on this pin can be configured as an open-drain driver by the SPI's WOM bit when this pin is configured for SPI operation. When using Wired-OR mode, the user must provide an external pull-up device.
PC4	Input or Output		<b>Port C GPIO 4 (PC4)</b> —This pin is a GPIO pin called PC4 when the SPI MISO1 function is not being used.  After reset, the default state is GPIO input.
MOSI1	Input/Output	Input	<b>SPI1 Master Out/Slave In (MOSI1)</b> —This serial data pin is an output from a master device and an input to a slave device. The master device places data on the MOSI0 line a half-cycle before the clock edge that the slave device uses to latch the data. The driver on this pin can be configured as an open-drain driver by the SPI's WOM bit when this pin is configured for SPI operation. When using Wired-OR mode, the user must provide an external pull-up device.
PC5	Input or Output		<b>Port C GPIO5 (PC5)</b> —This pin is a GPIO pin called PC5 when the SPI MOSI1 function is not being used.  After reset, the default state is GPIO input.
SCK1	Input/Output	Input	<b>SPI1 Serial Clock</b> —This bidirectional pin provides a serial bit rate clock for the SPI. This gated clock signal is an input to a slave device and is generated as an output by a master device. Slave devices ignore the SCK signal unless the slave select pin is active low. In both master and slave SPI devices, data is shifted on one edge of the SCK signal and is sampled on the opposite edge where data is stable. The driver on this pin can be configured as an open-drain driver by the SPI's WOM bit when this pin is configured for SPI operation. When using Wired-OR mode, the user must provide an external pull-up device.
PC6	Input or Output		<b>Port C GPIO 6 (PC6)</b> —This pin is a GPIO pin called PC6 when the SPI SCK1 function is not being used.  After reset, the default state is GPIO input.
SS1	Input	Input	<b>SPI1 Slave Select</b> —This input pin is used to select a slave device before a master device can exchange data with the slave device. $\overline{SS}$ must be low before data transactions and must stay low for the duration of the transaction. The $\overline{SS}$ line of the master must be held high.
PC7	Input or Output		<b>Port C GPIO 7 (PC7)</b> —This pin is a GPIO pin called PC7 when the SPI $\overline{SS1}$ function is not being used.  After reset, the default state is GPIO input.

## 2.8 Synchronous Serial Interface (SSI) Signals

Table 14. Synchronous Serial Interface (SSI) Signals

Signal Name	Signal Type	State During Reset	Signal Description
STD	Output	Input	<b>SSI Transmit Data (STD)</b> —This output pin transmits serial data from the SSI Transmitter Shift Register.
PC8	Input or Output		<b>Port C GPIO 8 (PC8)</b> —This pin is a GPIO pin called PC8 when the SSI STD function is not being used.  After reset, the default state is GPIO input.
SRD	Input	Input	<b>SSI Receive Data</b> —This input pin receives serial data and transfers the data to the SSI Receive Shift Register.
PC9	Input or Output		<b>Port C GPIO 9 (PC9)</b> —This pin is a GPIO pin called PC9 when the SSI SRD function is not being used.  After reset, the default state is GPIO input.
STCK	Input/ Output	Input	<b>SSI Serial Transmit Clock</b> —This bidirectional pin provides the serial bit rate clock for the Transmit section of the SSI. The clock signal can be continuous or gated and can be used by both the transmitter and receiver in Synchronous mode.
PC10	Input or Output		<b>Port C GPIO 10 (PC10)</b> —This pin is a GPIO pin called PC10 when the SSI STCK function is not being used.  After reset, the default state is GPIO input.
STFS	Input/ Output	Input	<b>Serial Transmit Frame Sync</b> —This bidirectional pin is used by the Transmit section of the SSI as frame sync I/O or flag I/O. The STFS can be used by both the transmitter and receiver in Synchronous mode. It is used to synchronize data transfer and can be an input or an output.
PC11	Input or Output		<b>Port C GPIO 11 (PC11)</b> —This pin is a GPIO pin called PC11 when the SSI STFS function is not being used. This pin is not required by the SSI in Gated Clock mode.  After reset, the default state is input.
SRCK	Input/ Output	Input	<b>SSI Serial Receive Clock</b> —This bidirectional pin provides the serial bit rate clock for the Receive section of the SSI. The clock signal can be continuous or gated and can be used only by the receiver.
PC12	Input or Output		<b>Port C GPIO 12 (PC12)</b> —This pin is a GPIO pin called PC12 when the SSI STD function is not being used.  After reset, the default state is GPIO input.



**Table 14. Synchronous Serial Interface (SSI) Signals (Continued)**

Signal Name	Signal Type	State During Reset	Signal Description
SRFS	Input/Output	Input	<b>Serial Receive Frame Sync (SRFS)</b> —This bidirectional pin is used by the Receive section of the SSI as frame sync I/O or flag I/O. The STFS can be used only by the receiver. It is used to synchronize data transfer and can be an input or an output.
PC13	Input or Output		<b>Port C GPIO 13 (PC13)</b> —This pin is a GPIO pin called PC13 when the SSI SRFS function is not being used.  After reset, the default state is GPIO input.

## 2.9 Timer Module Signals

**Table 15. Timer Module Signals**

Signal Name	Signal Type	State During Reset	Signal Description
TIO01	Input/Output	Input	<b>Timer 0 and Timer 1 Input/Output (TIO01)</b> —This bidirectional pin receives external pulses to be counted by either the on-chip 16-bit Timer 0 or Timer 1 when configured as input and external clocking is selected. The pulses are internally synchronized to the DSP core internal clock. When configured as output, it generates pulses or toggles on a Timer 0 or Timer 1 overflow event. Selection of Timer 0 or Timer 1 is programmable through an internal register.
PC14	Input or Output		<b>Port C GPIO 14 (PC14)</b> —This pin is a GPIO pin called PC14 when the Timer TIO01 function is not being used.  After reset, the default state is GPIO input.
TIO2	Input/Output	Input	<b>Timer 2 Input/Output (TIO2)</b> —This bidirectional pin receives external pulses to be counted by the on-chip 16-bit Timer 2 when configured as input and external clocking is selected. The pulses are internally synchronized to the DSP core internal clock. When configured as output, it generates pulses or toggles on a Timer 2 overflow event.
PC15	Input or Output		<b>Port C GPIO 15 (PC15)</b> —This pin is a GPIO pin called PC15 when the Timer TIO2 function is not being used.  After reset, the default state is GPIO input.

## 2.10 JTAG/OnCE™ Port Signals

Table 16. JTAG/On-Chip Emulation (OnCE) Signals

Signal Name	Signal Type	State During Reset	Signal Description
TCK	Input	Input, pulled low internally	<b>Test Clock Input</b> —This input pin provides a gated clock to synchronize the test logic and shift serial data to the JTAG/OnCE port. The pin is connected internally to a pull-down resistor.
TMS	Input	Input, pulled high internally	<b>Test Mode Select Input</b> —This input pin is used to sequence the JTAG TAP controller's state machine. It is sampled on the rising edge of TCK and has an on-chip pull-up resistor.
TDI	Input	Input, pulled high internally	<b>Test Data Input</b> —This input pin provides a serial input data stream to the JTAG/OnCE port. It is sampled on the rising edge of TCK and has an on-chip pull-up resistor.
TDO	Output	Tri-stated	<b>Test Data Output</b> —This tri-statable output pin provides a serial output data stream from the JTAG/OnCE port. It is driven in the Shift-IR and Shift-DR controller states, and changes on the falling edge of TCK.
$\overline{\text{TRST}}$ DE	Input Output	Input, pulled high internally	<p><b>Test Reset</b>—As an input, a low signal on this pin provides a reset signal to the JTAG TAP controller.</p> <p><b>Debug Event</b>—When programmed within the OnCE port as an output, <math>\overline{\text{DE}}</math> provides a low pulse on recognized debug events; when configured as an output signal, the <math>\overline{\text{TRST}}</math> input is disabled.</p> <p>To ensure complete hardware reset, <math>\overline{\text{TRST}}/\overline{\text{DE}}</math> should be asserted whenever <math>\overline{\text{RESET}}</math> is asserted. The only exception occurs in a debugging environment when a hardware DSP reset is required and it is necessary not to reset the OnCE/JTAG module. In this case, assert <math>\overline{\text{RESET}}</math>, but do not assert <math>\overline{\text{TRST}}/\overline{\text{DE}}</math>.</p> <p>This pin is connected internally to a pull-up resistor.</p>

## Part 3 Specifications

### 3.1 General Characteristics

The DSP56824 is fabricated in high-density CMOS with Transistor-Transistor Logic (TTL)-compatible inputs, 5-volt tolerant Input/Output (I/O), and CMOS-compatible outputs.

Absolute maximum ratings given in Table 17 are stress ratings only, and functional operation at the maximum is not guaranteed. Stress beyond these ratings may affect device reliability or cause permanent damage to the device.

The DSP56824 dc/ac electrical specifications are preliminary and are from design simulations. These specifications may not be fully tested or guaranteed at this early stage of the product life cycle. Finalized specifications will be published after complete characterization and device qualifications have been completed.

#### WARNING:

This device contains protective circuitry to guard against damage due to high static voltage or electrical fields. However, normal precautions are advised to avoid application of any voltages higher than maximum rated voltages to this high-impedance circuit. Reliability of operation is enhanced if unused inputs are tied to an appropriate logic voltage level (e.g., either or  $V_{CC}$  or GND).

**Table 17. Absolute Maximum Ratings (GND = 0 V)**

Rating	Symbol	Value	Unit
Supply voltage	$V_{DD}$	-0.3 to 4.0	V
All other input voltages	$V_{IN}$	(GND - 0.3) to ( $V_{DD} + 0.3$ )	V
Current drain per pin excluding $V_{DD}$ and GND	I	10	mA
Storage temperature range	$T_{STG}$	-55 to 150	°C

**Table 18. Recommended Operating Conditions**

Characteristic	Symbol	Value	Unit
Supply voltage	$V_{DD}$	2.7 to 3.6	V
Ambient temperature	$T_A$	-40 to 85	°C

Table 19. Package Thermal Characteristics

Thermal Resistance <sup>1</sup>	100-pin TQFP		
	Symbol	Value	Unit
Junction-to-ambient (estimated) <sup>2</sup>		65	°C/W
Junction-to-case (estimated) <sup>3</sup>	R <sub>θJC</sub>	10	°C/W

1. See discussion under Section 5, “Design Considerations,” on page 58.
2. Junction-to-ambient thermal resistance is based on measurements on a horizontal single-sided Printed Circuit Board per SEMI G38-87 in natural convection. SEMI is Semiconductor Equipment and Materials International, 805 East Middlefield Road, Mountain View, CA 94043, (415) 964-5111.
3. Junction-to-case thermal resistance is based on measurements using a cold plate per SEMI G30-88 with the exception that the cold plate temperature is used for the case temperature.

## 3.2 DC Electrical Characteristics

Table 20. DC Electrical Characteristics

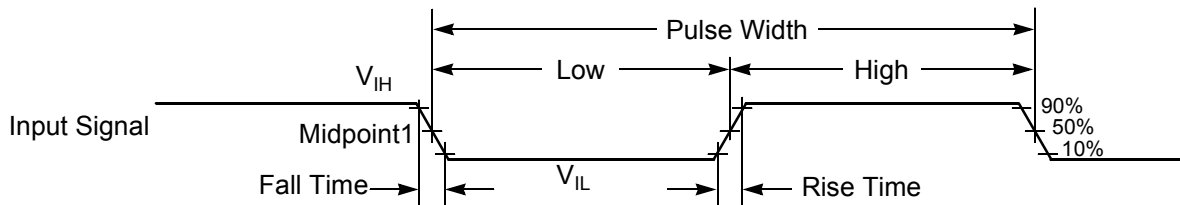
Characteristics	Symbol	Min	Typ	Max	Unit
Supply voltage	V <sub>DD</sub>	2.7	—	3.6	V
Input high voltage: EXTAL All other inputs	V <sub>IHC</sub> V <sub>IH</sub>	0.8 × V <sub>DD</sub> 2.0	— —	V <sub>DD</sub>	V
Input low voltage EXTAL All other inputs	V <sub>ILC</sub> V <sub>IL</sub>	-0.3 -0.3	— —	0.2 × V <sub>DD</sub> 0.8	V
Input leakage current @ 2.4 V/0.4 V with V <sub>DD</sub> = 3.6 V	I <sub>IN</sub>	-1	—	1	μA
Input/output tri-state (off-state) leakage current @ 2.4 V/ 0.4 V with V <sub>DD</sub> = 3.6 V	I <sub>TSI</sub>	-10	—	+10	μA
Output high voltage I <sub>OH</sub> = -0.3 mA I <sub>OH</sub> = -50 μA	V <sub>OH</sub>	V <sub>DD</sub> - 0.7 V <sub>DD</sub> - 0.3	— —	— —	V
Output low voltage I <sub>OL</sub> = 2 mA I <sub>OL</sub> = 50 μA	V <sub>OL</sub>	— —	— —	0.4 0.2	V
Core CPU supply current <sup>1</sup> (F <sub>PLL</sub> = 70 MHz)	I <sub>CORE</sub>	—	20	30	mA
Stop mode current <sup>1,2</sup>	I <sub>STOP</sub>	—	2	5	μA
Input capacitance (estimated)	C <sub>IN</sub>	—	10	—	pF

1. To obtain these results, all inputs must be terminated (i.e., not allowed to float) using CMOS levels.
2. At 25°C, V<sub>DD</sub> = 3.0 V, V<sub>IH</sub> = V<sub>DD</sub>, V<sub>IL</sub> = 0 V, output pin XTAL disconnected with external clocks applied on EXTAL pin and inputs to Data Bus are static valid.

### 3.3 AC Electrical Characteristics

( $V_{SS} = 0\text{ V}$ ,  $V_{DD} = 2.7\text{--}3.6\text{ V}$ ,  $T_A = -40^\circ\text{ to }+85^\circ\text{C}$ ,  $C_L = 50\text{ pF}$ )

Timing waveforms in Section 3.3, “AC Electrical Characteristics,” are tested with a  $V_{IL}$  maximum of 0.8 V and a  $V_{IH}$  minimum of 2.0 V for all pins except EXTAL, which is tested using the input levels in Section 3.2, “DC Electrical Characteristics.” Figure 3 shows the levels of  $V_{IH}$  and  $V_{IL}$  for an input signal.



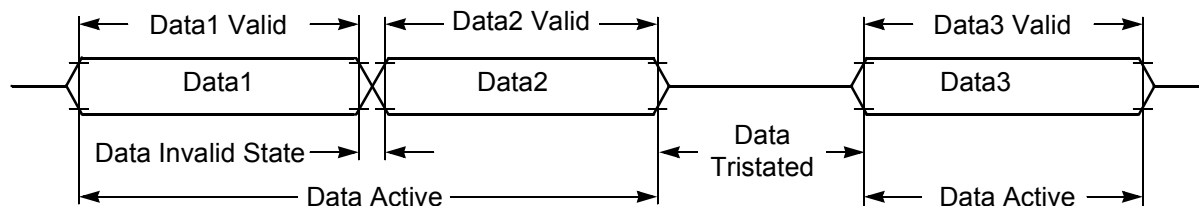
Note: The midpoint is  $V_{IL} + (V_{IH} - V_{IL})/2$ .

AA1447

**Figure 3. Input Signal Measurement References**

Figure 4 shows the definitions of the following signal states:

- Active state, when a bus or signal is driven , and enters a low impedance state.
- Tristated, when a bus or signal is placed in a high impedance state.
- Data Valid state, when a signal level has reached  $V_{OL}$  or  $V_{OH}$ .
- Data Invalid state, when a signal level is in transition between  $V_{OL}$  and  $V_{OH}$ .



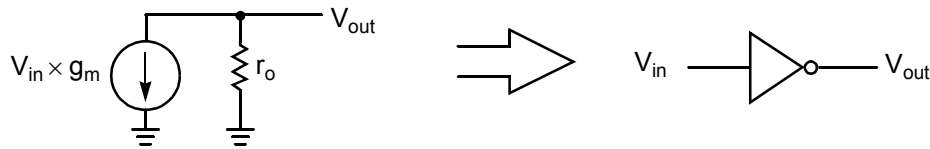
AA1448

**Figure 4. Signal States**

### 3.4 External Clock Operation

( $V_{SS} = 0\text{ V}$ ,  $V_{DD} = 2.7\text{--}3.6\text{ V}$ ,  $T_A = -40^\circ\text{ to }+85^\circ\text{C}$ ,  $C_L = 50\text{ pF}$ )

The DSP56824 system clock can be derived from a crystal or an external system clock signal. To generate a reference frequency using the internal oscillator, a reference crystal must be connected between the EXTAL and XTAL pins. Figure 5 shows the transconductance model for XTAL. Table 21 shows the electrical characteristics for EXTAL and XTAL pins.



AA0118

Figure 5. XTAL Transconductance Model

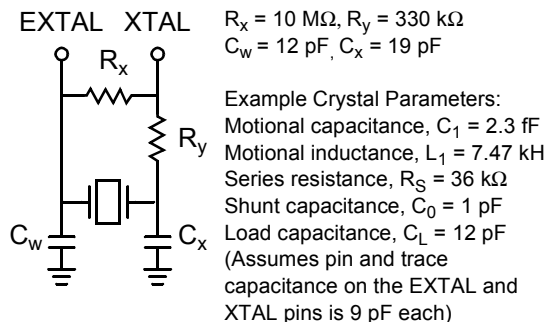
Table 21. EXTAL/XTAL Electrical Characteristics

Characteristics	Symbol	Min	Typ	Max	Unit
EXTAL peak-to-peak swing (for any value of $\overline{XCOLF}$ )	—	1.27	—	1.9	V p-p
$V_{DDPLL} = 2.7\text{ V}$	—	1.38	—	2.1	V p-p
$V_{DDPLL} = 3.0\text{ V}$	—	1.58	—	2.75	V p-p
$V_{DDPLL} = 3.6\text{ V}$	—	—	—	—	—
XTAL transconductance	$g_m$	0.206	0.465	1.02	mA/V
$\overline{XCOLF} = 0$		2.06	4.65	10.2	mA/V
$\overline{XCOLF} = V_{DD}$					
XTAL output resistance	$r_o$	28.3	80.6	209.4	k $\Omega$
$\overline{XCOLF} = 0$		2.83	8.06	20.94	k $\Omega$
$\overline{XCOLF} = V_{DD}$					

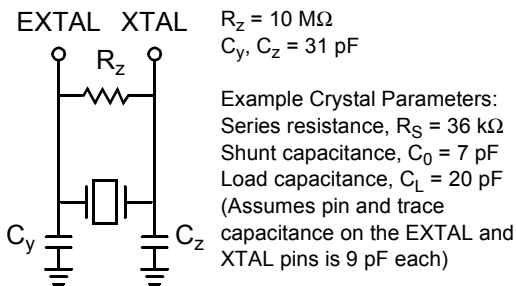
The internal oscillator is designed to interface with a parallel-resonant crystal resonator in the frequency range specified for the external crystal in Table 22. Figure 6 shows typical crystal oscillator circuits. Follow the crystal supplier’s recommendations when selecting a crystal, since crystal parameters determine the component values required to provide maximum stability and reliable start-up. The load capacitance values used in the oscillator circuit design should include all stray layout capacitances. The crystal and associated components should be mounted as close as possible to the EXTAL and XTAL pins to minimize output distortion and start-up stabilization time.

When using the on-chip oscillator in conjunction with an external crystal to generate the DSP clock, the following specifications apply. When driving the clock directly into EXTAL (not using a crystal), the input clock should follow normal digital DSP56824 requirements.

**Crystal Frequency = 32 kHz or 38.4 kHz**  
**XCOLF = 0**



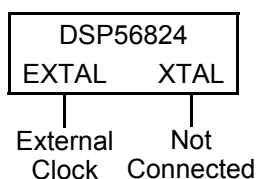
**Crystal Frequency = 2–10 MHz**  
**XCOLF = 1**



AA0180

**Figure 6. Examples of Crystal Oscillator Circuits**

If the design uses an external clock circuit, apply the external clock input to the EXTAL input with the XTAL pin left unconnected, as shown in Figure 7.



AA1449

**Figure 7. Connecting an External Clock Signal**

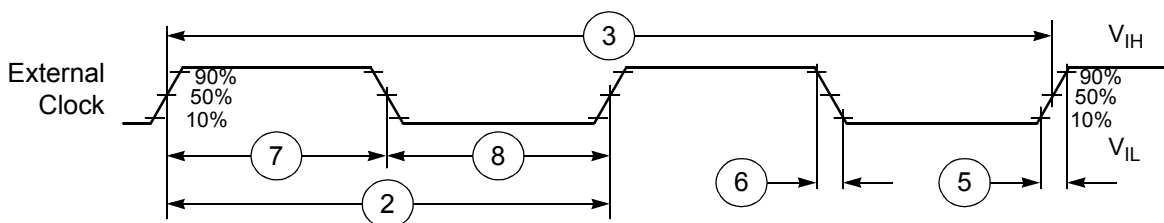
**Table 22. Clock Operation Timing**

No.	Characteristics	70 MHz		Unit
		Min	Max	
1	Frequency of operation (external clock)	0	70	MHz
2	Clock cycle time	14.29	—	ns
3	Instruction cycle time	28.57	—	ns
4	External reference frequency Crystal option, $\overline{XCOLF} = 0$ External clock option, $\overline{XCOLF} = 1$	.032 0	10 70	MHz MHz
5	External clock input rise time	—	3	ns
6	External clock input fall time	—	3	ns
7	External clock input high time	6.5	—	ns
8	External clock input low time	6.5	—	ns
9	PLL output frequency	10	70	MHz

**Table 22. Clock Operation Timing (Continued)**

No.	Characteristics	70 MHz		Unit
		Min	Max	
10	PLL stabilization time after crystal oscillator start-up time <sup>1</sup>	—	10	ms

1. This is the minimum time required after the PLL setup is changed to ensure reliable operation



Note: The midpoint is  $V_{IL} + (V_{IH} - V_{IL})/2$ .

AA0182

**Figure 8. External Clock Timing**

### 3.5 External Components for the PLL

The on-chip PLL requires an extra circuit connected to the SXFC pin, as shown in Figure 9. As indicated in Table 23, the values of R, C<sub>1</sub>, and C should be chosen based on the Multiplication Factor used to derive the desired operating frequency from the input frequency selected. This circuit affects the performance of the PLL.

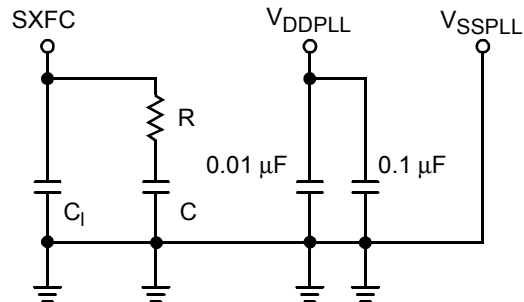
**Table 23. Recommended Component Values for PLL Multiplication Factors**

Multiplication Factor	C <sub>1</sub>	R	C
1024	10 nF	5 kΩ	15 nF
512	2.7 nF	5 kΩ	15 nF
256	2.7 nF	5 kΩ	15 nF
128	2.7 nF	2 kΩ	15 nF
100	2.7 nF	2 kΩ	15 nF
80	2.7 nF	2 kΩ	15 nF
40	2.7 nF	2 kΩ	15 nF
10	2.7 nF	2 kΩ	15 nF
4	250 pF	1 kΩ	15 nF
2	250 pF	1 kΩ	15 nF



**Table 23. Recommended Component Values for PLL Multiplication Factors**

Multiplication Factor	C <sub>1</sub>	R	C
<b>Note:</b> Because of the high number of Multiplication Factors available, these are the only Multiplication Factors evaluated.			



AA0836

**Figure 9. Schematic of Required External Components for the PLL**

### 3.6 Port A External Bus Synchronous Timing

( $V_{SS} = 0\text{ V}$ ,  $V_{DD} = 2.7\text{--}3.6\text{ V}$ ,  $T_A = -40^\circ\text{ to }+85^\circ\text{C}$ ,  $C_L = 50\text{ pF}$ )

#### 3.6.1 Capacitance Derating

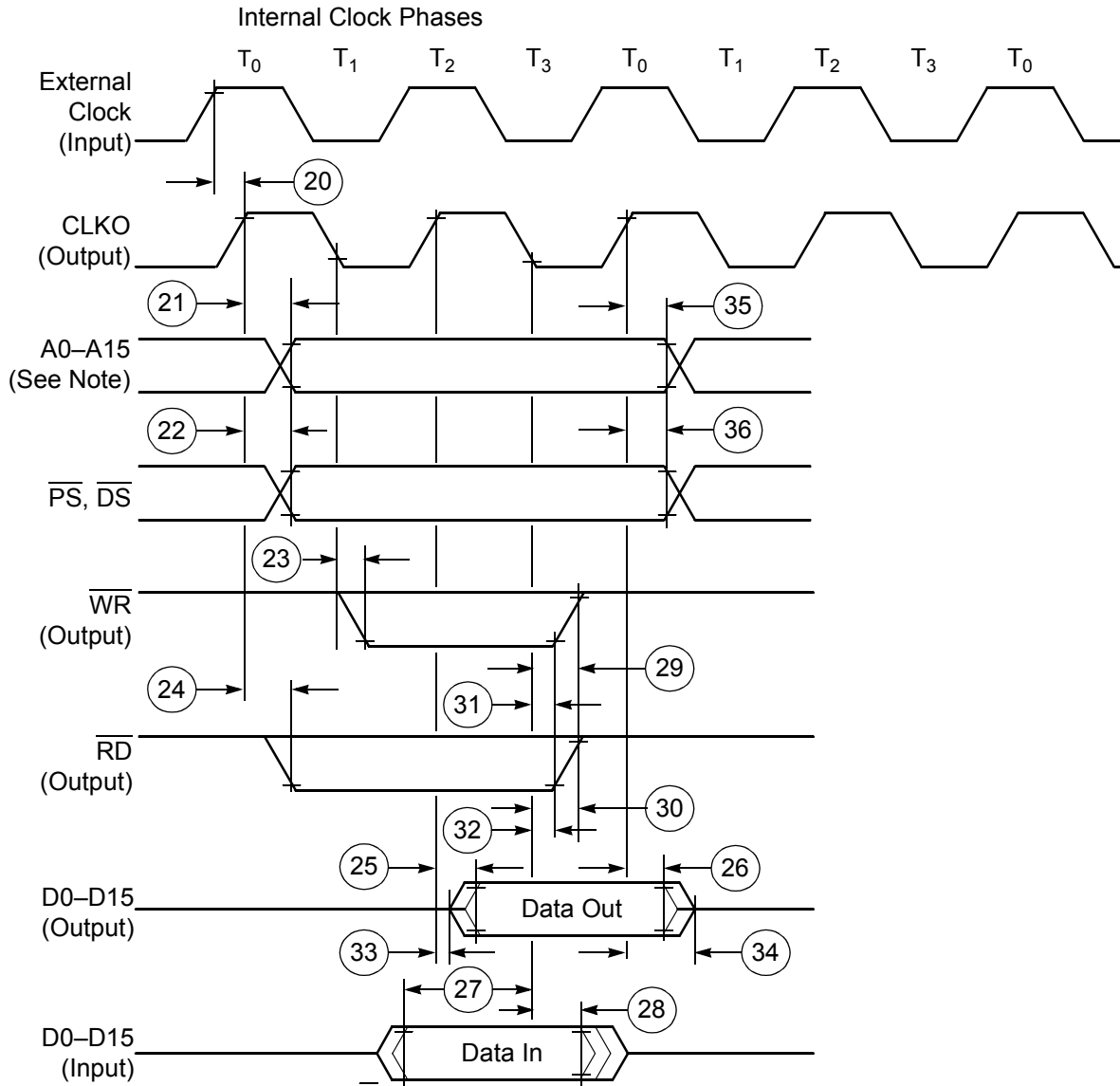
The DSP56824 external bus synchronous timing specifications are designed and tested at the maximum capacitive load of 50 pF, including stray capacitance. Typically, the drive capability of the pins A0–A15, D0–D15,  $\overline{PS}$ ,  $\overline{DS}$ ,  $\overline{RD}$ , and  $\overline{WR}$  derates linearly at 1.7 ns per 20 pF of additional capacitance from 50 pF to 250 pF of loading. The CLKO pin drive capability is 20 pF. When an internal memory access follows an external memory access, the  $\overline{PS}$ ,  $\overline{DS}$ ,  $\overline{RD}$ , and  $\overline{WR}$  strobes remain deasserted and A0–A15 do not change from their previous state.

**NOTE:**

In Figure 10 and Figure 11,  $T_0$ ,  $T_1$ ,  $T_2$ , and  $T_3$  refer to the internal clock phases and  $T_W$  refers to wait state.

**Table 24. External Bus Synchronous Timing**

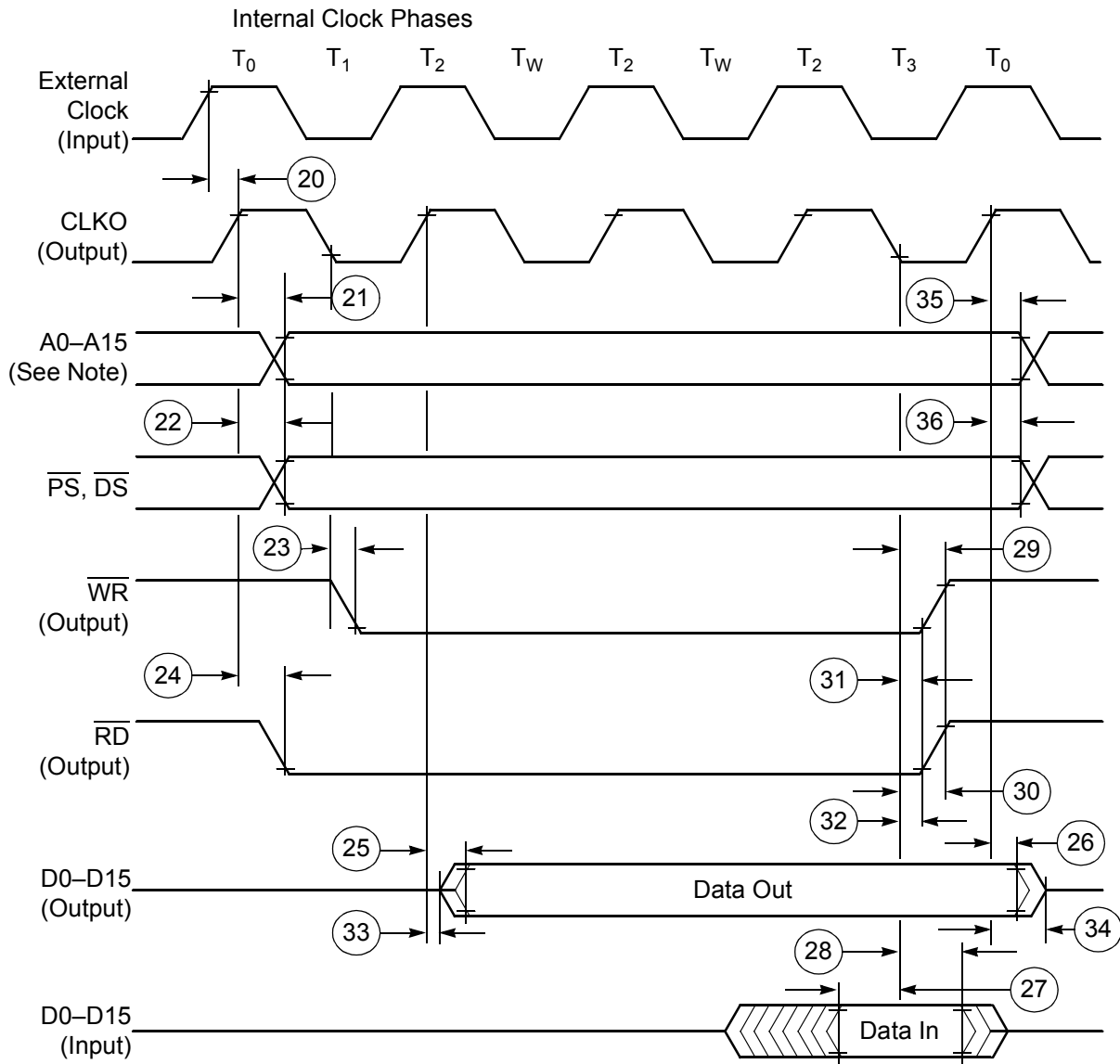
No	Characteristic	Min	Max	Unit
20	External Input Clock High to CLKO High XCO Asserted High XCO Asserted Low	3.4 9.0	13.8 18.5	ns
21	CLKO High to A0–A15 Valid	0.9	2.0	ns
22	CLKO High to $\overline{PS}$ , $\overline{DS}$ Valid	0.3	3.1	ns
23	CLKO Low to $\overline{WR}$ Asserted Low	1.1	6.4	ns
24	CLKO High to $\overline{RD}$ Asserted Low	0.4	4.8	ns
25	CLKO High to D0–D15 Out Valid	0.9	3.1	ns
26	CLKO High to D0–D15 Out Invalid	0.2	0.3	ns
27	D0–D15 In Valid to CLKO Low (Setup)	0.6	—	ns
28	CLKO Low to D0–D15 Invalid (Hold)	0.7	—	ns
29	CLKO Low to $\overline{WR}$ Deasserted	1.9	—	ns
30	CLKO Low to $\overline{RD}$ Deasserted	1.8	—	ns
31	$\overline{WR}$ Hold Time from CLKO Low	0.2	—	ns
32	$\overline{RD}$ Hold Time from CLKO Low	0.2	—	ns
33	CLKO High to D0–D15 Out Active	–1.3	0.6	ns
34	CLKO High to D0–D15 Out Tri-state	—	0.3	ns
35	CLKO High to A0–A15 Invalid	–0.9	–2.6	ns
36	CLKO High to $\overline{PS}$ , $\overline{DS}$ Invalid	–0.7	–1.7	ns



Note: During Read-Modify-Write instructions and internal instructions, the address lines do not change state.

AA1450

Figure 10. Synchronous Timing—No Wait State



Note: During Read-Modify-Write instructions and internal instructions, the address lines do not change state.

AA0184

Figure 11. Synchronous Timing—Two Wait States

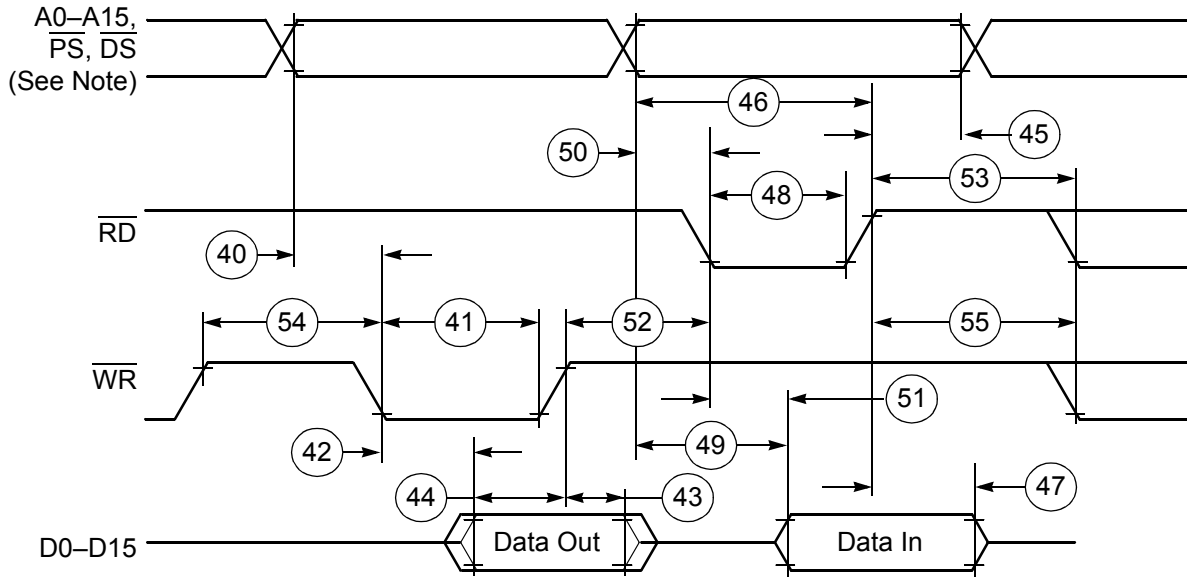
### 3.7 Port A External Bus Asynchronous Timing

( $V_{SS} = 0\text{ V}$ ,  $V_{DD} = 2.7\text{--}3.6\text{ V}$ ,  $T_A = -40^\circ\text{ to }+85^\circ\text{C}$ ,  $C_L = 50\text{ pF}$ )

**Table 25. External Bus Asynchronous Timing**

No.	Characteristic	Min	Max	Unit
40	Address Valid to $\overline{WR}$ Asserted	$T - 0.5$	—	ns
41	$\overline{WR}$ Width Asserted Wait states = 0 Wait states > 0	$2T - 6.4$ $2T(WS + 1) - 6.4$	— —	ns ns
42	$\overline{WR}$ Asserted to D0–D15 Out Valid	—	$T + 0.7$	ns
43	Data Out Hold Time from $\overline{WR}$ Deasserted	$T - 5.6$	—	ns
44	Data Out Set Up Time to $\overline{WR}$ Deasserted Wait states = 0 Wait states > 0	$T + 0.2$ $T(2WS + 1) + 0.2$	— —	ns ns
45	$\overline{RD}$ Deasserted to Address Not Valid	$T - 5.6$	—	ns
46	Address Valid to $\overline{RD}$ Deasserted	$3T + 0.3$	—	ns
47	Input Data Hold to $\overline{RD}$ Deasserted	2.6	—	ns
48	$\overline{RD}$ Assertion Width Wait states = 0 Wait states > 0	$3T - 5.8$ $2T(WS) + 3T - 5.8$	— —	ns ns
49	Address Valid to Input Data Valid Wait states = 0 Wait states > 0	— —	$3T - 5.4$ $2T(WS) + 3T - 5.4$	ns ns
50	Address Valid to $\overline{RD}$ Asserted	0.0	—	ns
51	$\overline{RD}$ Asserted to Input Data Valid Wait states = 0 Wait states > 0	— —	$3T - 4.7$ $2T(WS) + 3T - 4.7$	ns ns
52	$\overline{WR}$ Deasserted to $\overline{RD}$ Asserted	$T - 0.9$	—	ns
53	$\overline{RD}$ Deasserted to $\overline{RD}$ Asserted	$T - 0.8$	—	ns
54	$\overline{WR}$ Deasserted to $\overline{WR}$ Asserted	$2T - 1.0$	—	ns
55	$\overline{RD}$ Deasserted to $\overline{WR}$ Asserted	$2T - 0.8$	—	ns
<b>Note:</b> Timing is both wait state and frequency dependent. In the formulas listed, WS = the number of wait states and T = 1/2 the clock cycle. For 70 MHz operation, T = 7.14 ns.				

Freescale Semiconductor, Inc.



Note: During Read-Modify-Write instructions and internal instructions, the address lines do not change state.

AA1451

Figure 12. External Bus Asynchronous Timing

### 3.8 Reset, Stop, Wait, Mode Select, and Interrupt Timing

( $V_{SS} = 0\text{ V}$ ,  $V_{DD} = 2.7\text{--}3.6\text{ V}$ ,  $T_A = -40^\circ\text{ to }+85^\circ\text{C}$ ,  $C_L = 50\text{ pF}$ )

Table 26. Reset, Stop, Wait, Mode Select, and Interrupt Timing

No.	Characteristics	70 MHz		Unit
		Min <sup>1</sup>	Max <sup>1</sup>	
60	$\overline{\text{RESET}}$ Assertion to Address, Data and Control Signals High Impedance	4.6	14.0	ns
61	Minimum $\overline{\text{RESET}}$ Assertion Duration <sup>2</sup> OMR Bit 6 = 0 OMR Bit 6 = 1	524,329 + 38 T 38T	— —	ns ns
62	Asynchronous $\overline{\text{RESET}}$ Deassertion to First External Address Output <sup>3</sup>	67T + 4.5	67T + 12.3	ns
63	Synchronous Reset Setup Time from $\overline{\text{RESET}}$ Deassertion to CLK0 Low	3.8	5.6	ns
64	Synchronous Reset Delay Time from CLK0 High to the First External Access <sup>3</sup>	66T + 2.5	66T + 7.5	ns
65	Mode and $\overline{\text{XCOLF}}$ Select Setup Time	0.3	—	ns

### Table 26. Reset, Stop, Wait, Mode Select, and Interrupt Timing (Continued)

No.	Characteristics	70 MHz		Unit
		Min <sup>1</sup>	Max <sup>1</sup>	
66	Mode and $\overline{XCOLF}$ Select Hold Time	0	—	ns
67	Edge-sensitive Interrupt Request Width	2T + 3.8	—	ns
68	$\overline{IRQA}$ , $\overline{IRQB}$ Assertion to External Data Memory Access Out Valid, caused by first instruction execution in the interrupt service routine	28 + 2.5	—	ns
69	$\overline{IRQA}$ , $\overline{IRQB}$ Assertion to General Purpose Output Valid, caused by first instruction execution in the interrupt service routine	31T + 3.7	—	ns
70	Synchronous setup time from $\overline{IRQA}$ , $\overline{IRQB}$ assertion to Synchronous CLKO High <sup>4, 5</sup>	1.9	2T	ns
71	CLKO Low to First Interrupt Vector Address Out Valid after Synchronous recovery from Wait State <sup>6</sup>	24T + 4.4	—	ns
72	$\overline{IRQA}$ Width Assertion to Recover from Stop State <sup>7</sup>	2T + 3.8	—	ns
73	Delay from $\overline{IRQA}$ Assertion to Fetch of first instruction (exiting Stop) <sup>2</sup> OMR Bit 6 = 0 OMR Bit 6 = 1	524,329T	—	ns
		22T	—	ns
74	Duration for Level Sensitive $\overline{IRQA}$ Assertion to Cause the Fetch of First $\overline{IRQA}$ Interrupt Instruction (exiting Stop) <sup>2</sup> OMR Bit 6 = 0 OMR Bit 6 = 1	524,329T	—	ns
		22T	—	ns
75	Delay from Level Sensitive $\overline{IRQA}$ Assertion to First Interrupt Vector Address Out Valid (exiting Stop) <sup>2</sup> OMR Bit 6 = 0 OMR Bit 6 = 1	524,336T + 2.5	—	ns
		22T + 2.5	—	ns

1. In the formulas, T = 1/2 the clock cycle and WS = the number of wait states. For an internal frequency of 70 MHz, T = 7.14 ns.

2. Circuit stabilization delay is required during reset when using an external clock or crystal oscillator in two cases:

- After power-on reset
- When recovering from Stop state

3. The instruction fetch is visible on the pins only in Mode 2 and Mode 3.

4. Timing No. 72 is for all IRQx interrupts, while timing No. 73 is only when exiting the Wait state.

5. Timing No. 72 triggers off T0 in the Normal state and off phi0 when exiting the Wait state.

6. The minimum is specified for the duration of an edge-sensitive IRQA interrupt required to recover from the Stop state. This is not the minimum required so that the IRQA interrupt is accepted.

7. The interrupt instruction fetch is visible on the pins only in Mode 3.

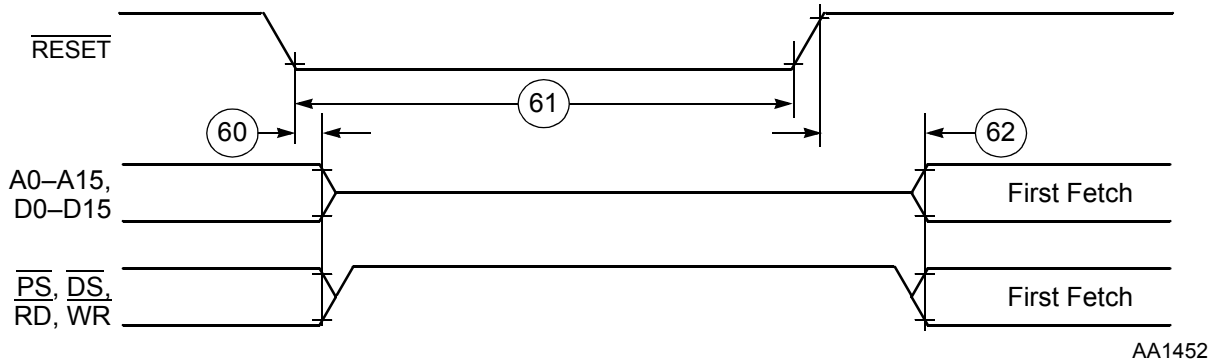


Figure 13. Asynchronous Reset Timing

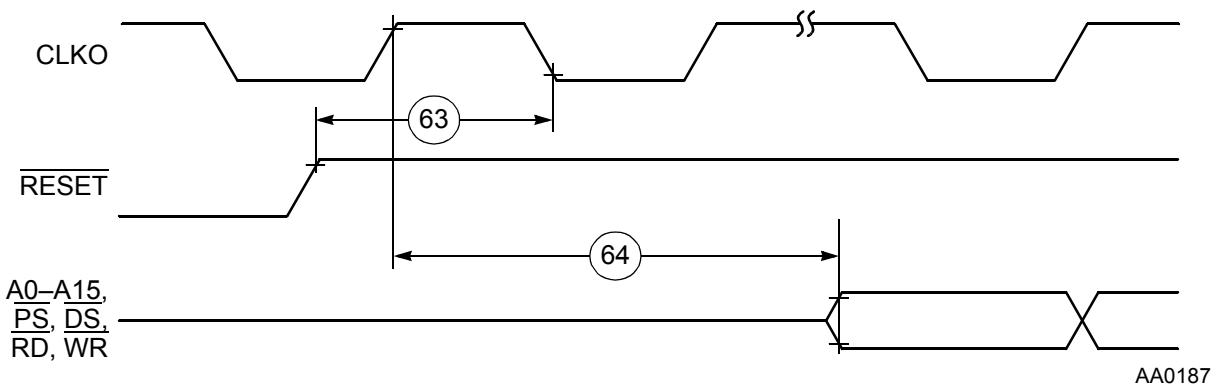


Figure 14. Synchronous Reset Timing

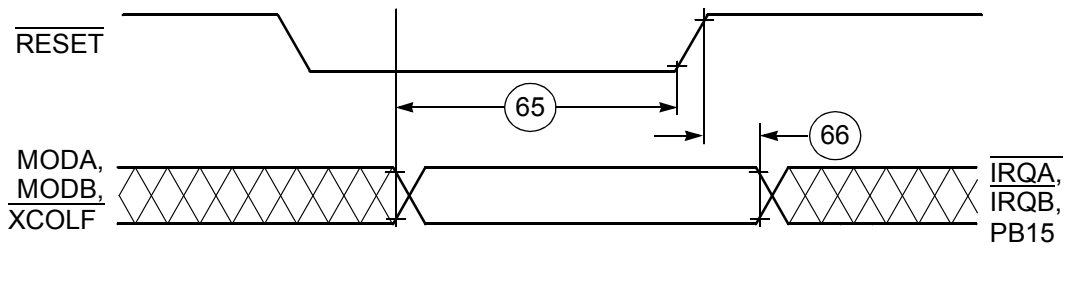


Figure 15. Operating Mode Select Timing

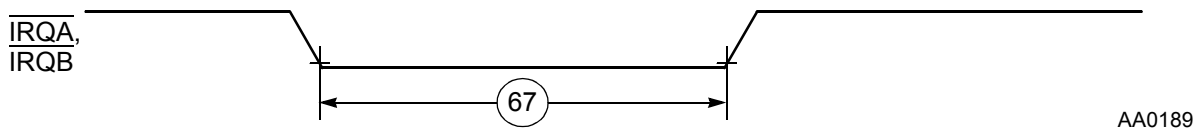
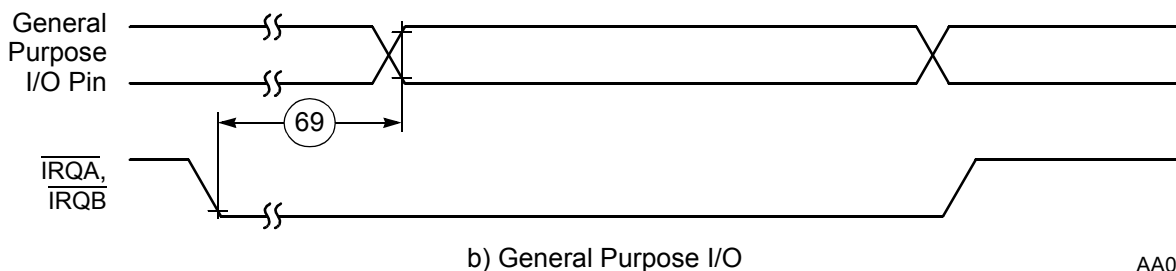
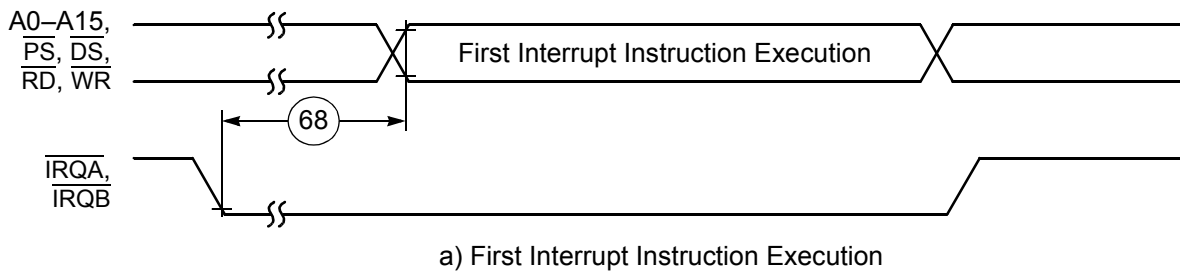


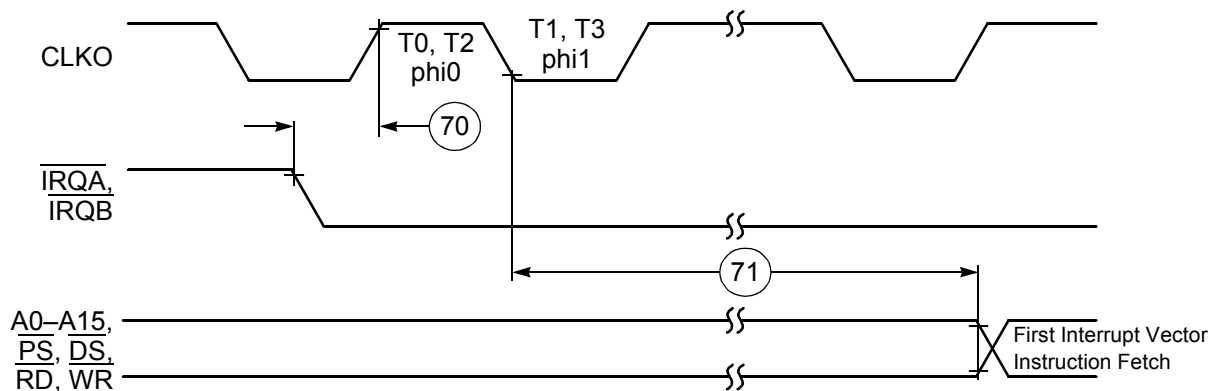
Figure 16. External Interrupt Timing (Negative-Edge-Sensitive)





AA0190

**Figure 17. External Level-Sensitive Interrupt Timing**



AA0191

**Figure 18. Synchronous Interrupt from Wait State Timing**

Freescale Semiconductor, Inc.

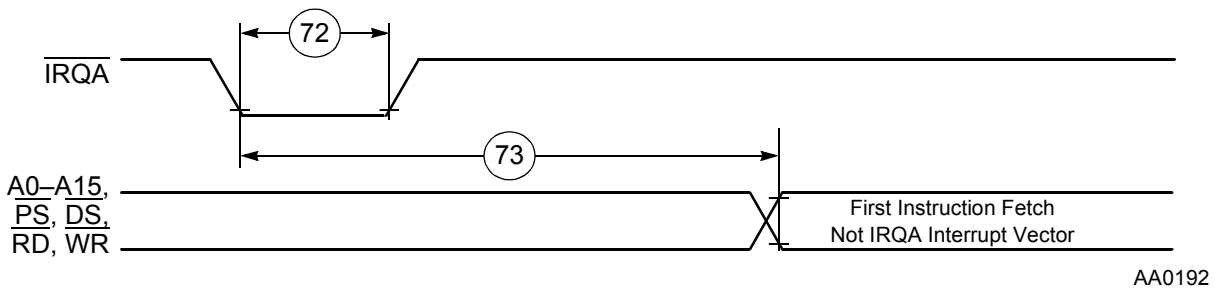


Figure 19. Recovery from Stop State Using Asynchronous Interrupt Timing

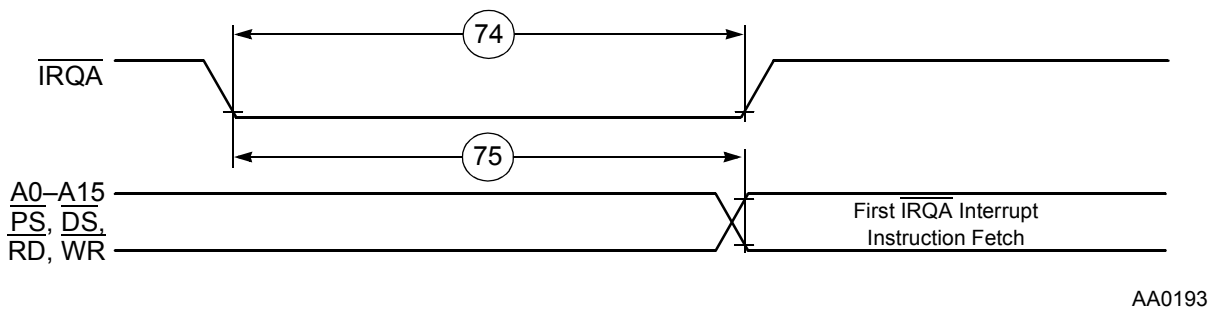


Figure 20. Recovery from Stop State Using  $\overline{\text{IRQA}}$  Interrupt Service

### 3.9 Port B and C Pin GPIO Timing

( $V_{SS} = 0 \text{ V}$ ,  $V_{DD} = 2.7\text{--}3.6 \text{ V}$ ,  $T_A = -40^\circ \text{ to } +85^\circ \text{C}$ ,  $C_L = 50 \text{ pF}$ )

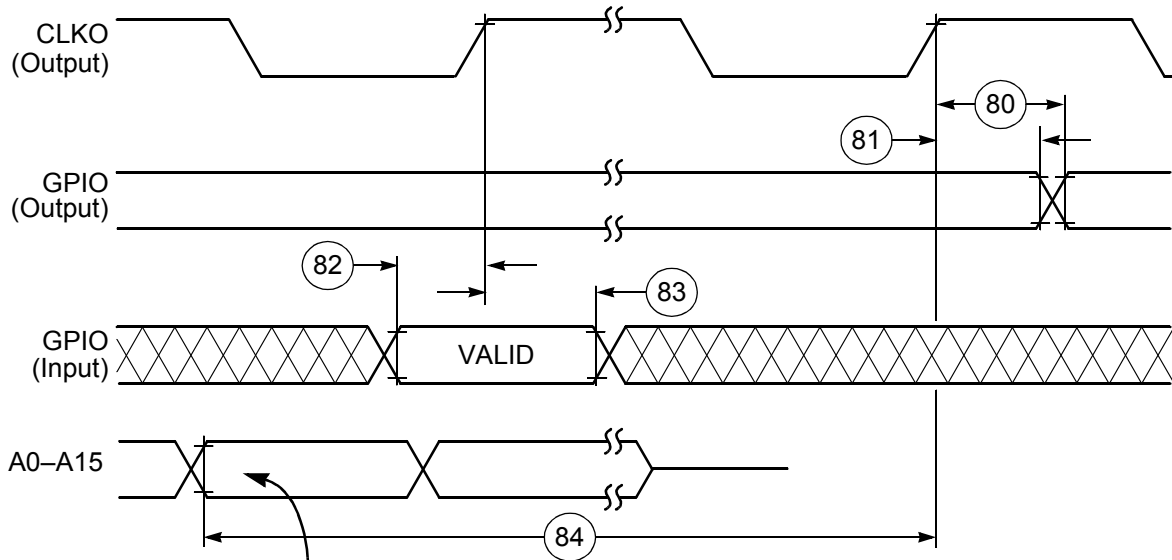
Table 27. GPIO Timing

No.	Characteristics	Min <sup>1</sup>	Max <sup>1</sup>	Unit
80	CLKO high to GPIO out valid (GPIO out delay time) <sup>2</sup>	—	10.7	ns
81	CLKO high to GPIO out not valid (GPIO out hold time)	1.5	—	ns
82	GPIO in valid to CLKO high (GPIO in set-up time)	7.8	—	ns
83	CLKO high to GPIO in not valid (GPIO in hold time)	0.5	—	ns
84	Fetch to CLKO high before GPIO change	12T – 1.7	—	ns

Table 27. GPIO Timing (Continued)

No.	Characteristics	Min <sup>1</sup>	Max <sup>1</sup>	Unit
85	Port B interrupt pulse width	4T	—	ns
86	Port B interrupt assertion to external data memory access out valid, caused by first instruction execution in the interrupt service routine	19T + 9.6	—	ns
87	Port B interrupt assertion to general purpose output valid, caused by first instruction execution in the interrupt service routine	31T + 10.8	—	ns

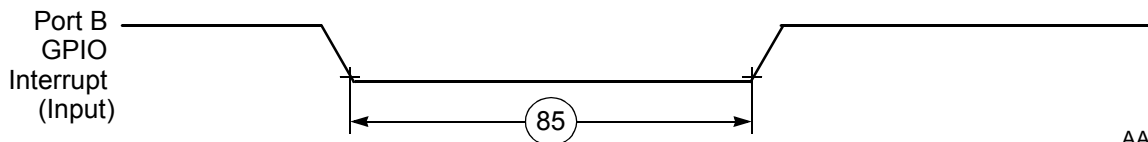
1. In the formulas, T = 1/2 the clock cycle. For an internal frequency of 70 MHz, T = 7.14 ns.
2. If a 10 kW pullup or pulldown resistor is connected to XCOLF/PB15, add 3.9 ns for timings on XCOLF/PB15.



Fetch the instruction MOVE X0,X:(R0); X0 contains the new value of GPIO and R0 contains the address of GPIO data register.

AA0194

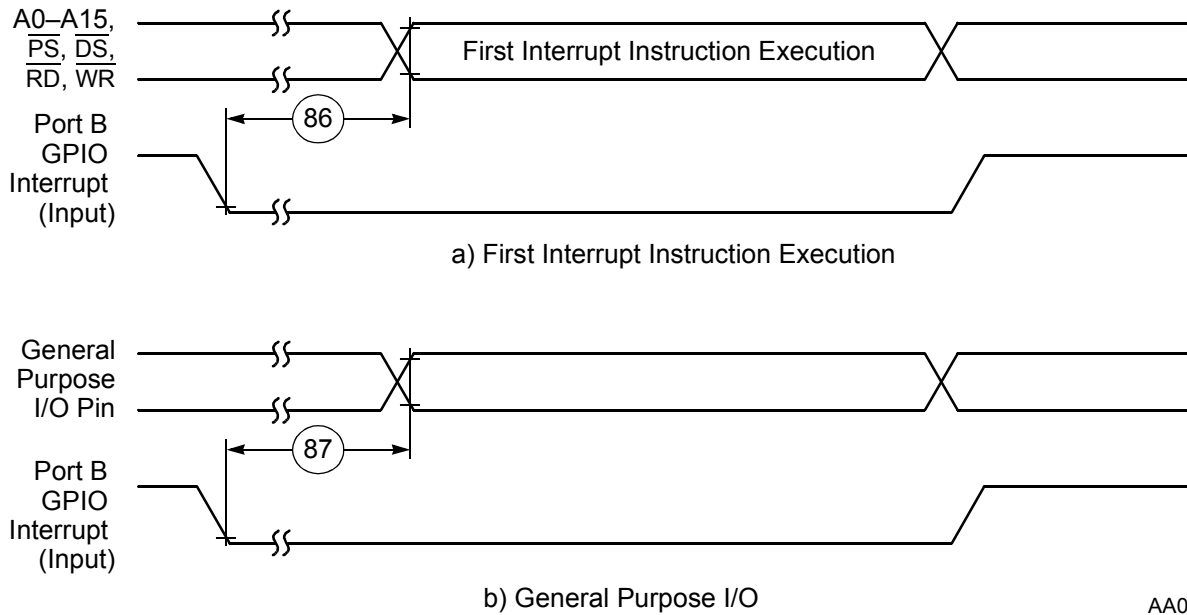
Figure 21. GPIO Timing



AA0195

Figure 22. Port B Interrupt Timing (Negative-Edge-Sensitive)

Freescale Semiconductor, Inc.



AA0196

Figure 23. Port B GPIO Interrupt Timing

### 3.10 Serial Peripheral Interface (SPI) Timing

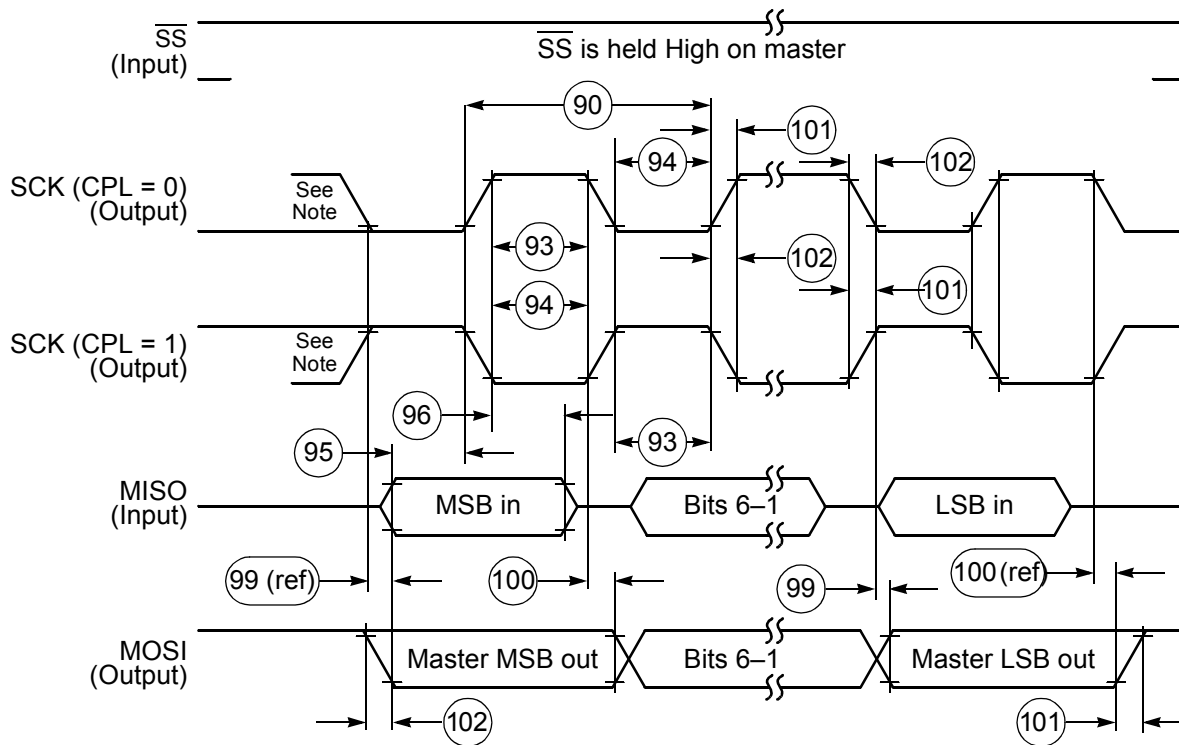
( $V_{SS} = 0\text{ V}$ ,  $V_{DD} = 2.7\text{--}3.6\text{ V}$ ,  $T_A = -40^\circ\text{ to }+85^\circ\text{C}$ )

Table 28. SPI Timing

No.	Characteristic	70 MHz				Unit
		20 pF Output Load		50 pF Output Load		
		Min	Max	Min	Max	
90	Cycle time					
	Master	100	—	100	—	ns
	Slave	100	—	100	—	ns
91	Enable lead time					
	Master	—	—	—	—	ns
	Slave	6.8	—	25	—	ns
92	Enable lag time					
	Master	—	—	—	—	ns
	Slave	6.5	—	100	—	ns
93	Clock (SCK) high time					
	Master	17.6	—	17.6	—	ns
	Slave	25	—	25	—	ns
94	Clock (SCK) low time					
	Master	24.1	—	24.1	—	ns
	Slave	25	—	25	—	ns

**Table 28. SPI Timing (Continued)**

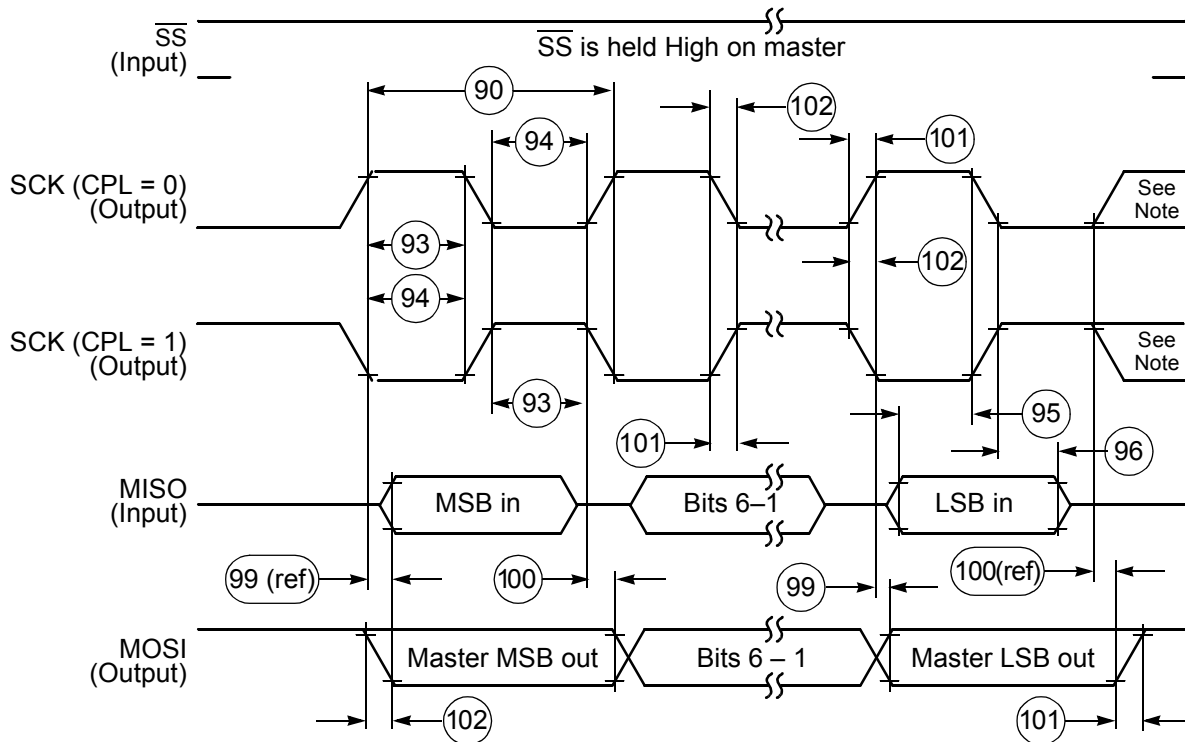
No.	Characteristic	70 MHz				Unit
		20 pF Output Load		50 pF Output Load		
		Min	Max	Min	Max	
95	Data setup time (inputs)	15.6	—	20	—	ns
	Master Slave	-3.2	—	0	—	ns
96	Data hold time (inputs)	0	—	0	—	ns
	Master Slave	0	—	0	—	ns
97	Access time (time to data active from high-impedance state)					ns
	Slave	4.8	10.7	4.8	15	ns
98	Disable time (hold time to high-impedance state)					ns
	Slave	3.7	15.2	3.7	15.2	ns
99	Data Valid					ns
	Master Slave (after enable edge)	4.5 4.6	3.5 20.4	4.5 4.6	3.5 20.4	ns ns
100	Data invalid					ns
	Master Slave	0 0	— —	0 0	— —	ns ns
101	Rise time					ns
	Master Slave	4.1 0	5.5 4.0	4.1 0	11.5 10.0	ns ns
102	Fall time					ns
	Master Slave	1.5 0	4.7 4.0	2.0 2.0	9.7 9.0	ns ns



Note: This first clock edge is generated internally, but is not seen at the SCK pin.

AA0197

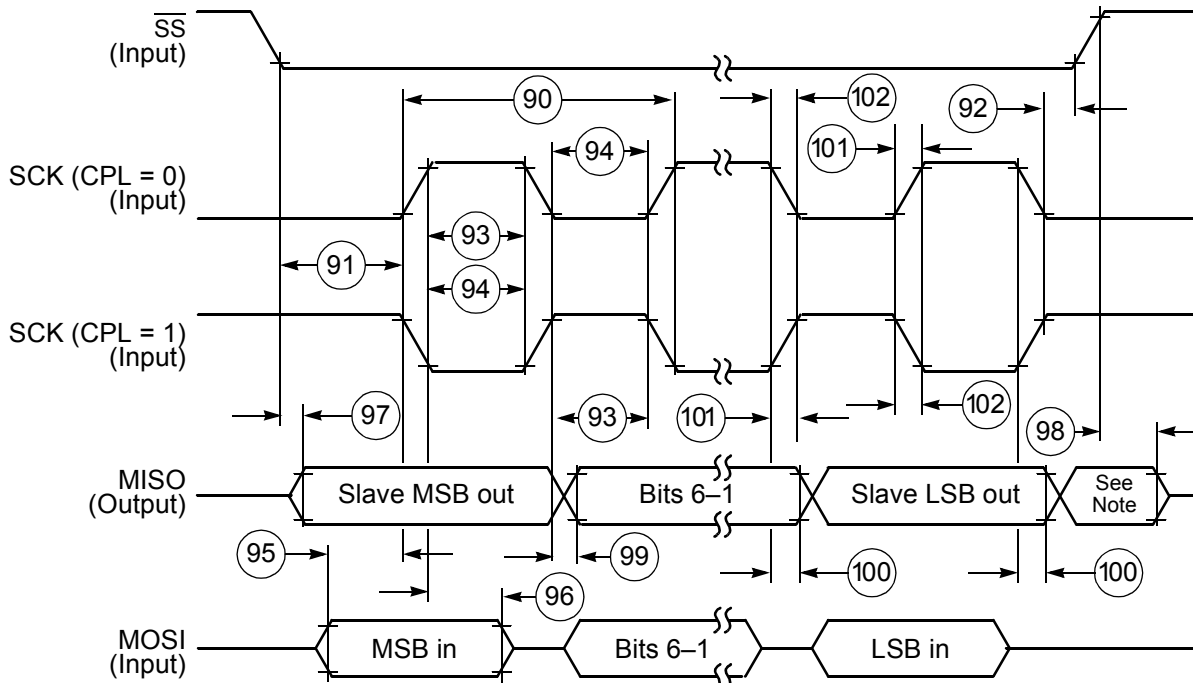
Figure 24. SPI Master Timing (CPH = 0)



Note: This last clock edge is generated internally, but is not seen at the SCK pin. AA0198

Figure 25. SPI Master Timing (CPH = 1)

Freescale Semiconductor, Inc.

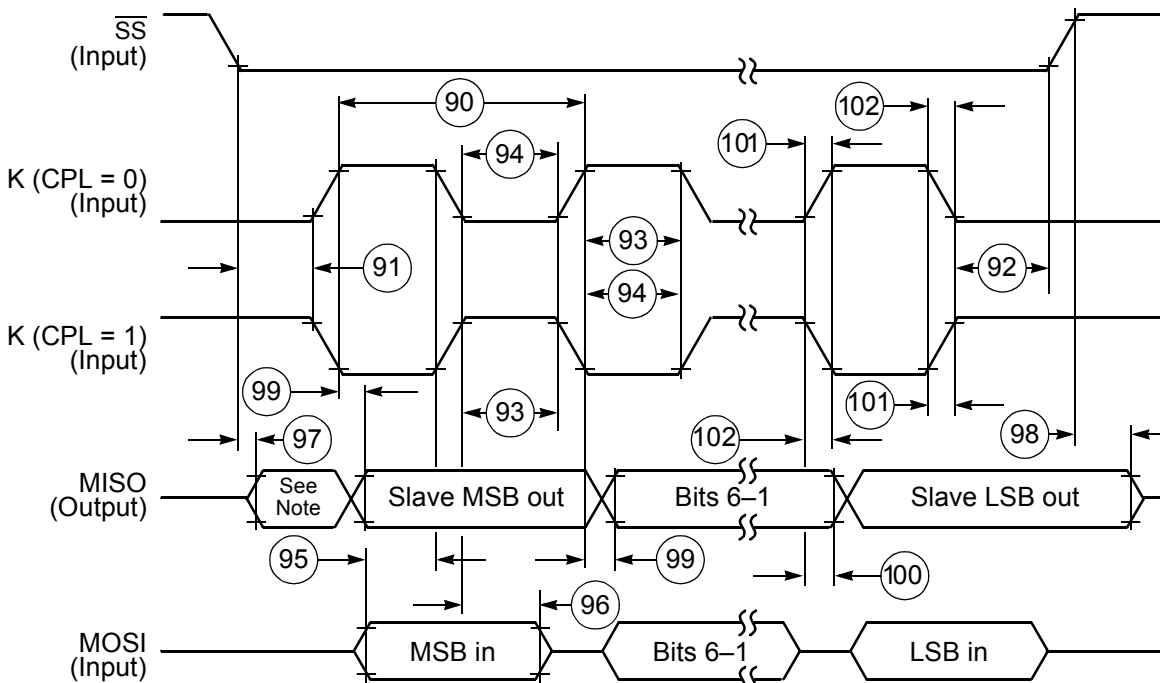


Note: Not defined, but normally MSB of character just received

AA0199

Figure 26. SPI Slave Timing (CPL = 0)





Note: Not defined, but normally LSB of character previously transmitted

AA0200

Figure 27. SPI Slave Timing (CPH = 1)

### 3.11 Synchronous Serial Interface (SSI) Timing

( $V_{SS} = 0\text{ V}$ ,  $V_{DD} = 2.7\text{--}3.6\text{ V}$ ,  $T_A = -40^\circ\text{ to }+85^\circ\text{C}$ ,  $C_L = 50\text{ pF}$ )

Table 29. SSI Timing

No.	Characteristic	70 MHz		Case <sup>1</sup>	Unit
		Min	Max		
<b>Internal Clock Operation</b>					
110	Clock cycle <sup>2</sup>	100	—	i ck	ns
111	Clock high period	33.2	—	i ck	ns
112	Clock low period	30.6	—	i ck	ns
113	Output clock rise/fall time	—	7.5	i ck	ns
114	STCK high to STFS (bl) high <sup>3</sup>	1.8	9.7	i ck	ns
115	SRCK high to SRFS (bl) high <sup>3</sup>	1.3	10	i ck	ns
116	STCK high to STFS (bl) low <sup>3</sup>	-2.9	8	i ck	ns

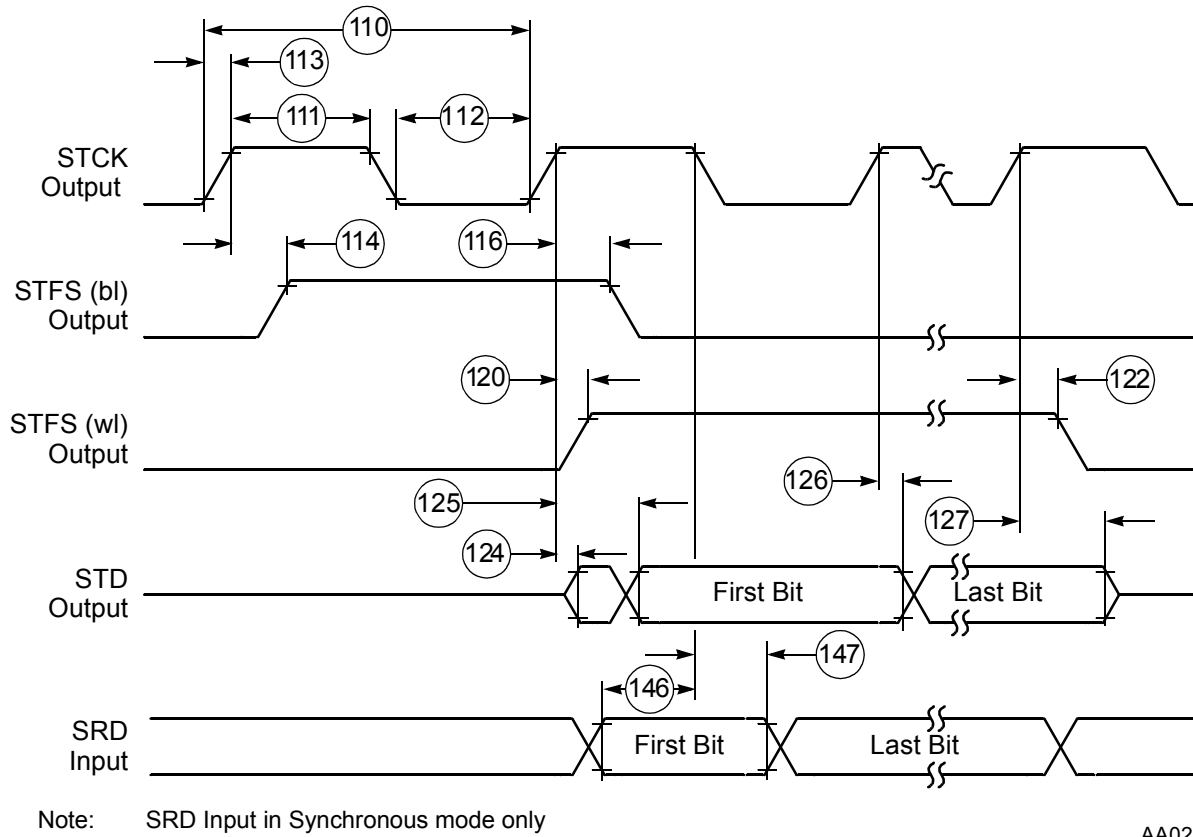
Table 29. SSI Timing (Continued)

No.	Characteristic	70 MHz		Case <sup>1</sup>	Unit
		Min	Max		
117	SRCK high to SRFS (bl) low <sup>3</sup>	-2.7	8.7	i ck	ns
118	SRD setup time before SRCK low	9	—	i ck	ns
119	SRD hold time after SRCK low	0	—	i ck	ns
120	STCK high to STFS (wl) high <sup>3</sup>	13.8	24.4	i ck	ns
121	SRCK high to SRFS (wl) high <sup>3</sup>	14.5	25.9	i ck	ns
122	STCK high to STFS (wl) low <sup>3</sup>	-2.9	9.0	i ck	ns
123	SRCK high to SRFS (wl) low <sup>3</sup>	-2.2	10.6	i ck	ns
124	STCK high to STD enable from high impedance	1.5	1.7	i ck	ns
125	STCK high to STD valid	-3.4	7.9	i ck	ns
126	STCK High to STD not valid	-5.7	0.7	i ck	ns
127	STCK high to STD high impedance	6.8	11.3	i ck	ns
<b>External Clock Operation</b>					
128	Clock cycle <sup>2</sup>	100	—	x ck	ns
129	Clock high period	50	—	x ck	ns
130	Clock low period	50	—	x ck	ns
132	SRD Setup time before SRCK low	-8.7	—	x ck	ns
133	SRD hold time after SRCK low <sup>4</sup>	1.7	—	x ck	ns
134	STCK high to STFS (bl) high <sup>3</sup>	0.4	100	x ck	ns
135	SRCK high to SRFS (bl) high <sup>3</sup>	0.5	100	x ck	ns
136	STCK high to STFS (bl) low <sup>3</sup>	0	99	x ck	ns
137	SRCK high to SRFS (bl) low <sup>3</sup>	0	99	x ck	ns
138	STCK high to STFS (wl) high <sup>3</sup>	0.4	100	x ck	ns
139	SRCK high to SRFS (wl) high <sup>3</sup>	0.5	100	x ck	ns
140	STCK high to STFS (wl) low <sup>3</sup>	0	99	x ck	ns
141	SRCK high to SRFS (wl) low <sup>3</sup>	0	99	x ck	ns

**Table 29. SSI Timing (Continued)**

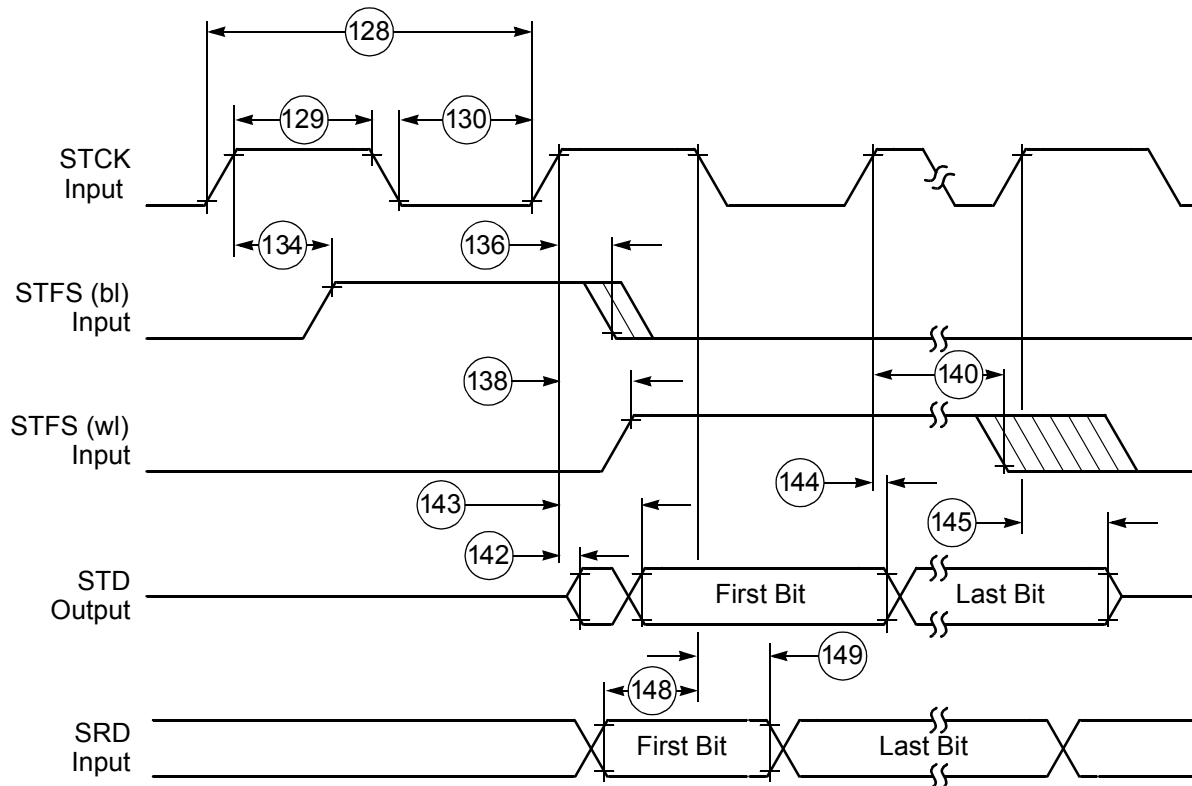
No.	Characteristic	70 MHz		Case <sup>1</sup>	Unit
		Min	Max		
142	STCK high to STD enable from high impedance	7.8	19	x ck	ns
143	STCK high to STD valid	11.7	28.5	x ck	ns
144	STCK high to STD not valid	5.8	21.1	x ck	ns
145	STCK high to STD high impedance	9.2	22.9	x ck	ns
<b>Synchronous Internal Clock Operation (in addition to standard internal clock parameters)</b>					
146	SRD setup before STCK falling	18.4	—	i ck s	ns
147	SRD hold after STCK falling <sup>4</sup>	0	—	i ck s	ns
<b>Synchronous External Clock Operation (in addition to standard external clock parameters)</b>					
148	SRD setup before STCK falling	-4.7	—	x ck s	ns
149	SRD hold after STCK falling <sup>4</sup>	1.7	—	x ck s	ns

- The following abbreviations are used to represent the various operational cases:  
 i ck = Internal Clock and Frame Sync  
 x ck = External Clock and Frame Sync  
 i ck s = Internal Clock, Synchronous mode (implies that only one frame sync FS is used)  
 x ck s = External Clock, Synchronous mode (implies that only one frame sync FS is used)
- All the timings for the SSI are given for a non-inverted serial clock polarity (SCKP = 0 in CRB) and a non-inverted frame sync (FSI = 0 in CRB). If the polarity of the clock and/or the frame sync have been inverted, all the timings remain valid by inverting the clock signal SCK and/or the frame sync FSR/FST in the tables and in the figures.
- bl = bit length; wl = word length.



AA0201

Figure 28. SSI Transmitter Internal Clock Timing

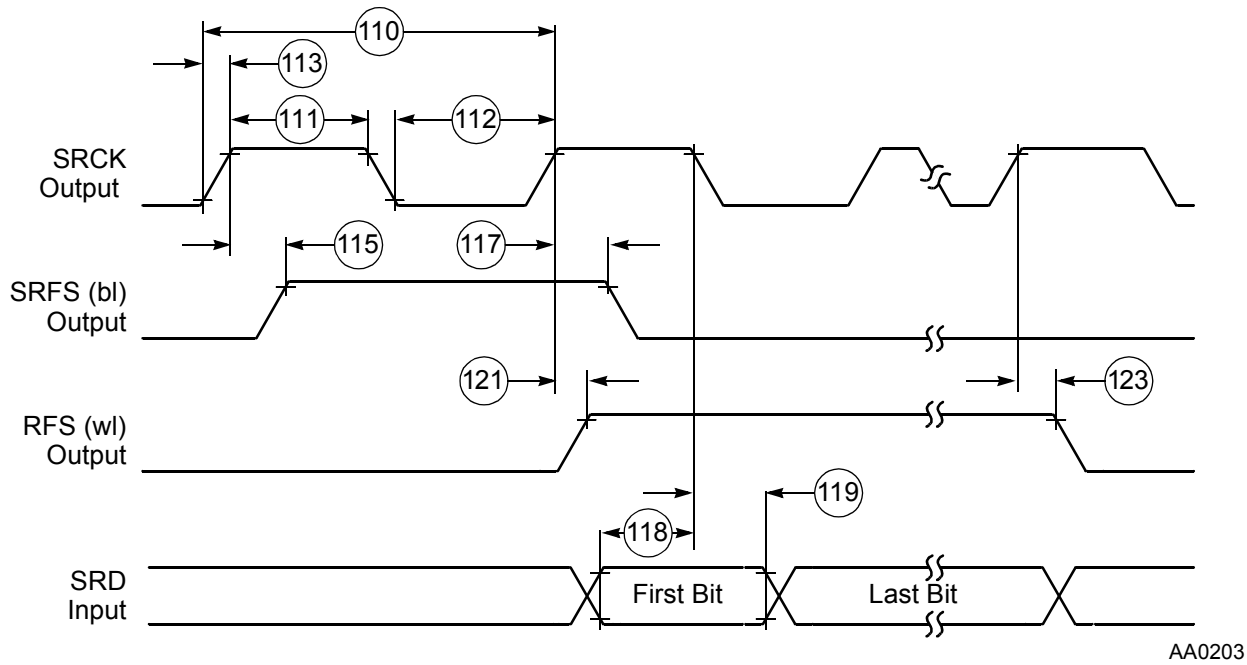


Note: SRD Input in Synchronous mode only

AA0202

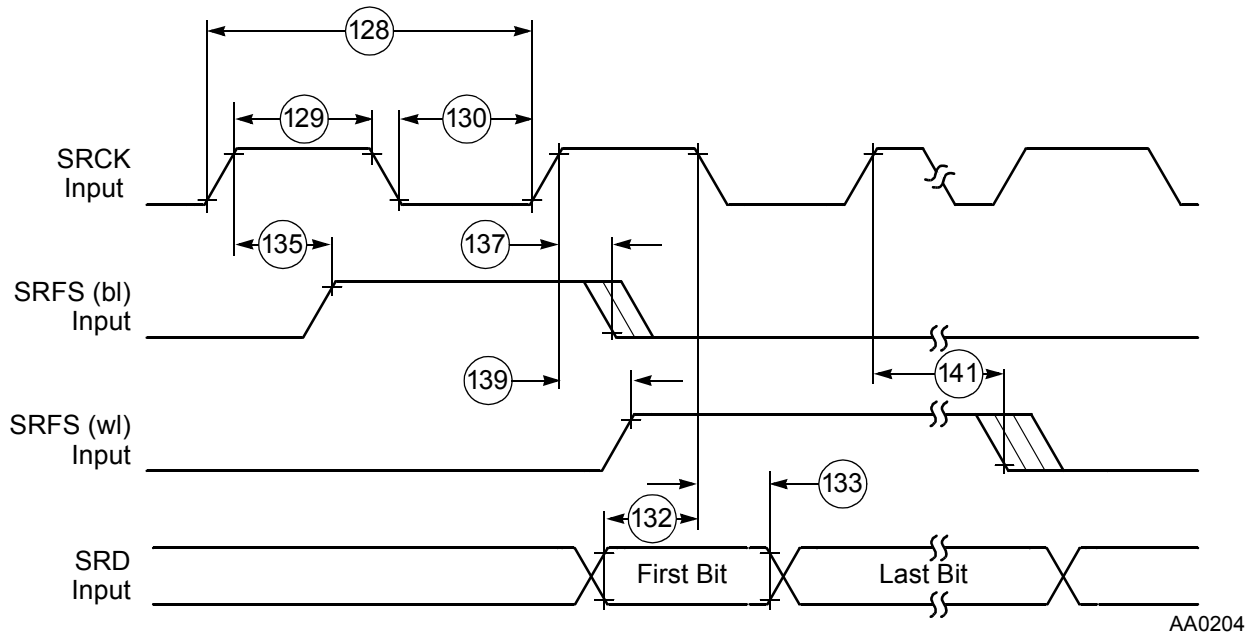
Figure 29. SSI Transmitter External Clock Timing

Freescale Semiconductor, Inc.



AA0203

Figure 30. SSI Receiver Internal Clock Timing



AA0204

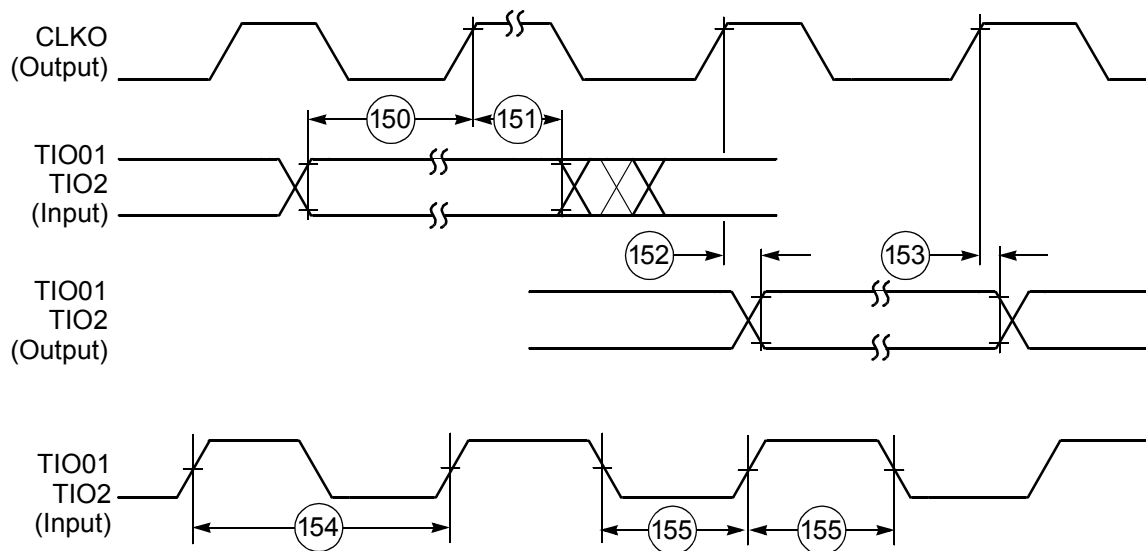
Figure 31. SSI Receiver External Clock Timing

### 3.12 Timer Timing

( $V_{SS} = 0\text{ V}$ ,  $V_{DD} = 2.7\text{--}3.6\text{ V}$ ,  $T_A = -40^\circ\text{ to }+85^\circ\text{C}$ ,  $C_L = 50\text{ pF}$ )

Table 30. Timer Timing

No.	Characteristic	70 MHz		Unit
		Min	Max	
150	Timer input valid to CLKO high (setup time)	11.4	—	ns
151	CLKO high to timer input not valid (hold time)	0	—	ns
152	CLKO high to timer output asserted	9.5	18.7	ns
153	CLKO high to timer output deasserted	5.1	20.7	ns
154	Timer input period	8T	—	ns
155	Timer input high/low period	4T	—	ns



AA0205

Figure 32. Timer Timing

Freescale Semiconductor, Inc.

### 3.13 JTAG Timing

( $V_{SS} = 0\text{ V}$ ,  $V_{DD} = 2.7\text{--}3.6\text{ V}$ ,  $T_A = -40^\circ\text{ to }+85^\circ\text{C}$ ,  $C_L = 50\text{ pF}$ )

Table 31. JTAG Timing

No.	Characteristics	70 MHz		Unit
		Min	Max	
160	TCK frequency of operation	0.0	8.75	MHz
	In OnCE Debug mode (EXTAL/8) In JTAG mode	0.0	10	MHz
161	TCK cycle time	100	—	ns
162	TCK clock pulse width	50	—	ns
164	Boundary scan input data setup time	34.5	—	ns
165	Boundary scan input data hold time	0	—	ns
166	TCK low to output data valid	—	40.6	ns
167	TCK low to output tri-state	—	43.4	ns
168	TMS, TDI data setup time	0.4	—	ns
169	TMS, TDI data hold time	1.2	—	ns
170	TCK low to TDO data valid	—	26.6	ns
171	TCK low to TDO tri-state	—	23.5	ns
172	$\overline{\text{TRST}}$ assertion time	50	—	ns
173	$\overline{\text{DE}}$ assertion time	8T	—	ns

**Note:** Timing is both wait state and frequency dependent. In the formulas listed, WS = the number of wait states and T = 1/2 the clock cycle. For 70 MHz operation, T = 7.14 ns.

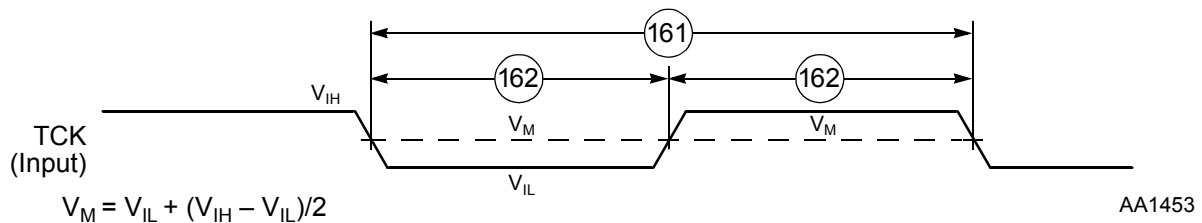
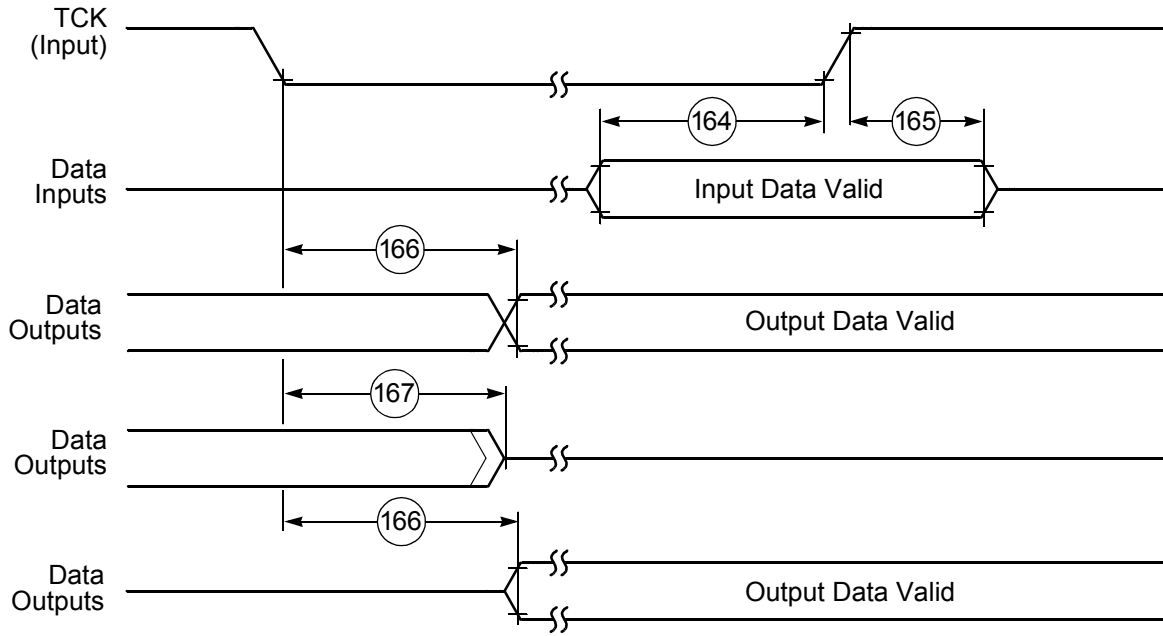


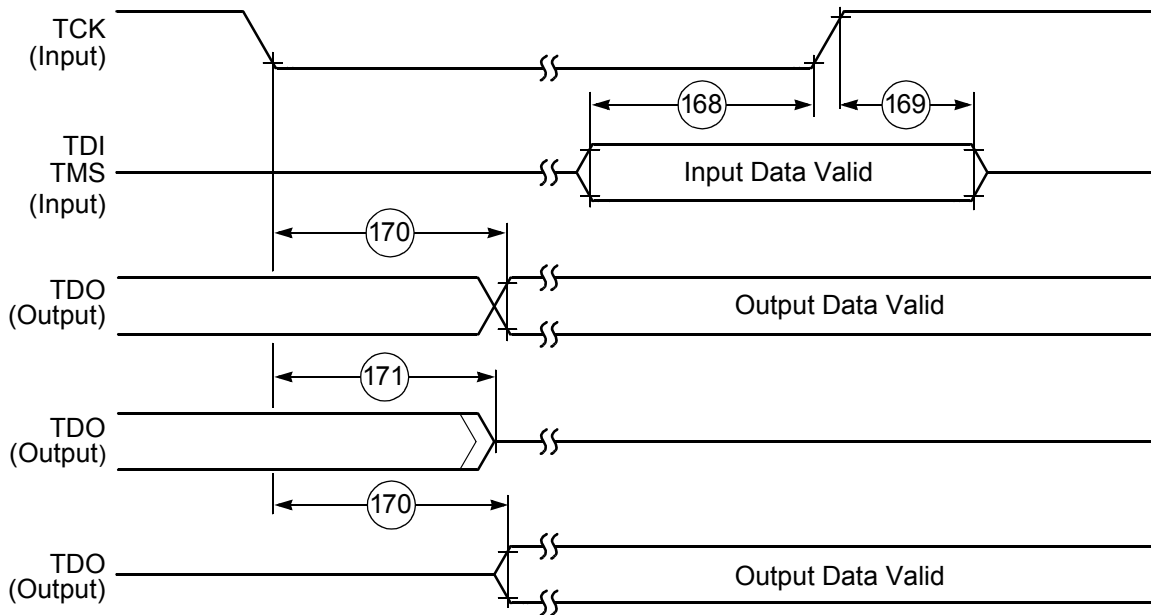
Figure 33. Test Clock Input Timing Diagram





AA0207

Figure 34. Boundary Scan (JTAG) Timing Diagram



AA0208

Figure 35. Test Access Port Timing Diagram



Figure 36.  $\overline{\text{TRST}}$  Timing Diagram

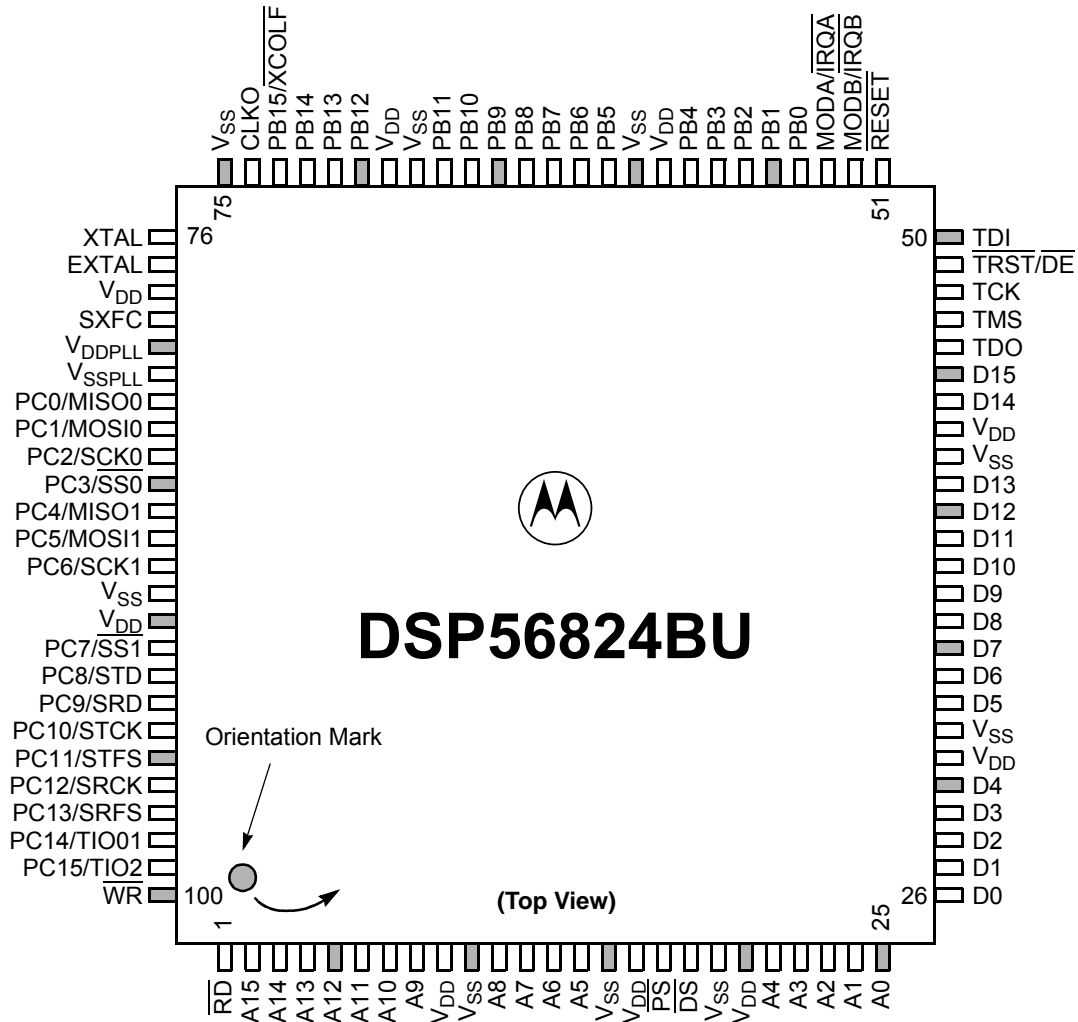


Figure 37. OnCE—Debug Event

## Part 4 Packaging

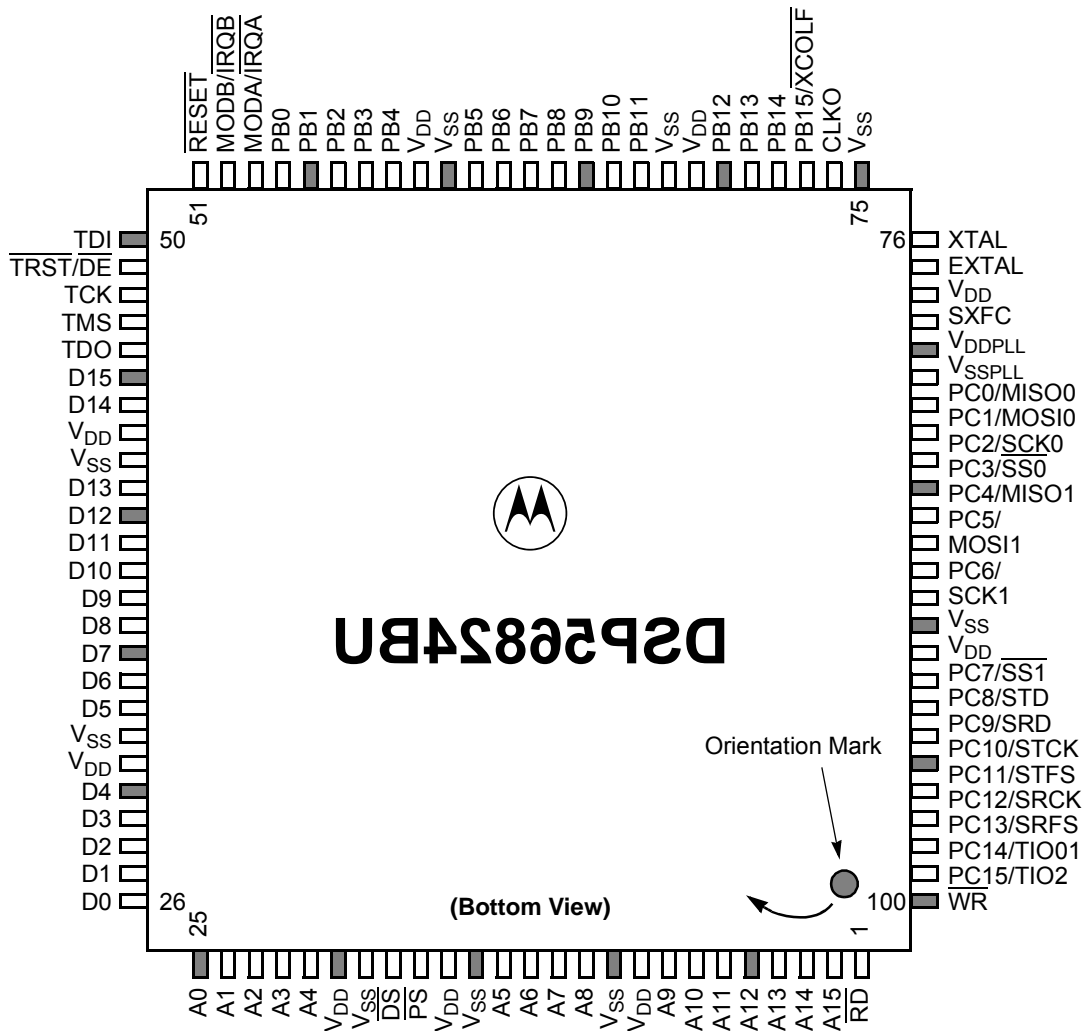
### 4.1 Package and Pin-Out Information

This section contains package and pin-out information for the 100-pin Thin Quad Flat Pack (TQFP) configuration of the DSP56824.



AA1454

Figure 38. Top View, DSP56824 100-pin TQFP Package



AA1455

Figure 39. Bottom View, DSP56824 TQFP Package

**Table 32. DSP56824 Pin Identification by Pin Number**

100-pin Package Pin #	Signal Name	100-pin Package Pin #	Signal Name	100-pin Package Pin #	Signal Name	100-pin Package Pin #	Signal Name
1	$\overline{RD}$	26	D0	51	$\overline{RESET}$	76	XTAL
2	A15	27	D1	52	$\overline{MODB/IRQB}$	77	EXTAL
3	A14	28	D2	53	$\overline{MODA/IRQA}$	78	$V_{DD}$
4	A13	29	D3	54	PB0	79	SXFC
5	A12	30	D4	55	PB1	80	$V_{DDPLL}$
6	A11	31	$V_{DD}$	56	PB2	81	$V_{SSPLL}$
7	A10	32	$V_{SS}$	57	PB3	82	PC0/MISO0
8	A9	33	D5	58	PB4	83	PC1/MOSI0
9	$V_{DD}$	34	D6	59	$V_{DD}$	84	PC2/SCK0
10	$V_{SS}$	35	D7	60	$V_{SS}$	85	PC3/ $\overline{SS0}$
11	A8	36	D8	61	PB5	86	PC4/MISO1
12	A7	37	D9	62	PB6	87	PC5/MOSI1
13	A6	38	D10	63	PB7	88	PC6/SCK1
14	A5	39	D11	64	PB8	89	$V_{SS}$
15	$V_{SS}$	40	D12	65	PB9	90	$V_{DD}$
16	$V_{DD}$	41	D13	66	PB10	91	PC7/ $\overline{SS1}$
17	PS	42	$V_{SS}$	67	PB11	92	PC8/STD
18	DS	43	$V_{DD}$	68	$V_{SS}$	93	PC9/SRD
19	$V_{SS}$	44	D14	69	$V_{DD}$	94	PC10/STCK
20	$V_{DD}$	45	D15	70	PB12	95	PC11/STFS
21	A4	46	TDO	71	PB13	96	PC12/SRCK
22	A3	47	TMS	72	PB14	97	PC13/SRFS
23	A2	48	TCK	73	$\overline{XCOLF}/PB15$	98	PC14/TIO01
24	A1	49	$\overline{TRST/DE}$	74	CLKO	99	PC15/TIO2
25	A0	50	TDI	75	$V_{SS}$	100	$\overline{WR}$

Table 33. DSP56824 Pin Identification by Signal Name

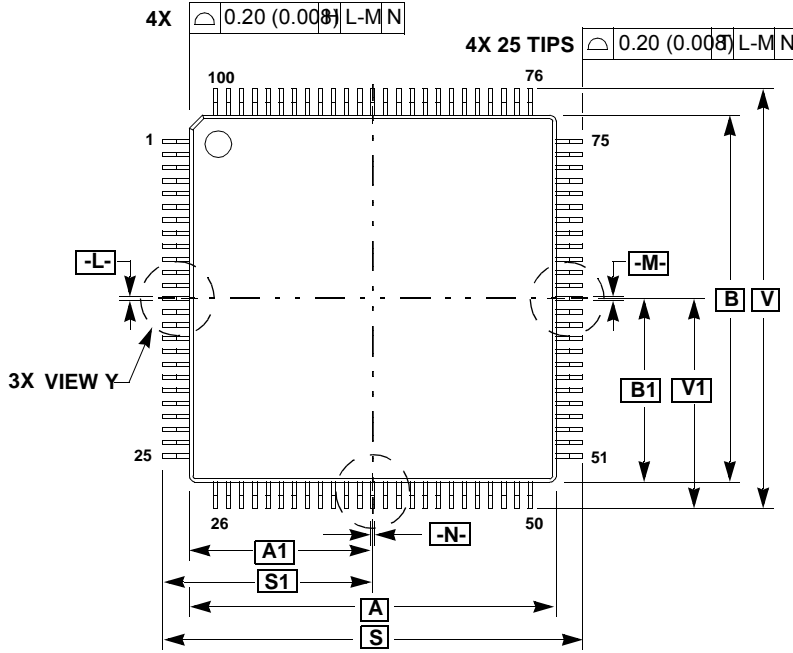
Signal Name	Pin #	Signal Name	Pin #	Signal Name	Pin #	Signal Name	Pin #
A0	25	D13	41	PC0	82	TCK	48
A1	24	D14	44	PC1	83	TDI	50
A2	23	D15	45	PC2	84	TD0	46
A3	22	$\overline{DE}$	49	PC3	85	TIO01	98
A4	21	$\overline{DS}$	18	PC4	86	TIO2	99
A5	14	EXTAL	77	PC5	87	TMS	47
A6	13	$\overline{IRQA}$	53	PC6	88	$\overline{TRST}$	49
A7	12	$\overline{IRQB}$	52	PC7	91	V <sub>DD</sub>	9
A8	11	MISO0	82	PC8	92	V <sub>DD</sub>	16
A9	8	MISO1	86	PC9	93	V <sub>DD</sub>	20
A10	7	MODA	53	PC10	94	V <sub>DD</sub>	31
A11	6	MODB	52	PC11	95	V <sub>DD</sub>	43
A12	5	MOSI0	83	PC12	96	V <sub>DD</sub>	59
A13	4	MOSI1	87	PC13	97	V <sub>DD</sub>	69
A14	3	PB0	54	PC14	98	V <sub>DD</sub>	78
A15	2	PB1	55	PC15	99	V <sub>DD</sub>	90
CLKO	74	PB2	56	$\overline{PS}$	17	V <sub>DDPLL</sub>	80
D0	26	PB3	57	$\overline{RD}$	1	V <sub>SS</sub>	10
D1	27	PB4	58	$\overline{RESET}$	51	V <sub>SS</sub>	15
D2	28	PB5	61	SCK0	84	V <sub>SS</sub>	19
D3	29	PB6	62	SCK1	88	V <sub>SS</sub>	32
D4	30	PB7	63	SRFS	97	V <sub>SS</sub>	42
D5	33	PB8	64	SRCK	96	V <sub>SS</sub>	60
D6	34	PB9	65	SRD	93	V <sub>SS</sub>	68
D7	35	PB10	66	$\overline{SS0}$	85	V <sub>SS</sub>	75
D8	36	PB11	67	$\overline{SS1}$	91	V <sub>SS</sub>	89
D9	37	PB12	70	STCK	94	V <sub>SSPLL</sub>	81

**Table 33. DSP56824 Pin Identification by Signal Name (Continued)**

Signal Name	Pin #	Signal Name	Pin #	Signal Name	Pin #	Signal Name	Pin #
D10	38	PB13	71	STD	92	$\overline{WR}$	100
D11	39	PB14	72	STFS	95	$\overline{XCOLF}$	73
D12	40	PB15	73	SXFC	79	XTAL	76

**Table 34. DSP56824 Power Supply Pins**

Pin #	Power Signal	Circuits Supplied	Pin #	Power Signal	Circuits Supplied
9	V <sub>DD</sub>	Address Bus Buffers and Bus Control	16	V <sub>DD</sub>	Internal Logic
20	V <sub>DD</sub>		69	V <sub>DD</sub>	
10	V <sub>SS</sub>		15	V <sub>SS</sub>	
19	V <sub>SS</sub>		68	V <sub>SS</sub>	
31	V <sub>DD</sub>	Data Bus Buffers	59	V <sub>DD</sub>	Clock, Bus Control, Port B, Port C , and JTAG/ OnCE Port
43	V <sub>DD</sub>		78	V <sub>DD</sub>	
32	V <sub>SS</sub>		90	V <sub>DD</sub>	
42	V <sub>SS</sub>		60	V <sub>SS</sub>	
90	V <sub>DDPLL</sub>	PLL	75	V <sub>SS</sub>	
89	V <sub>SSPLL</sub>		89	V <sub>SS</sub>	

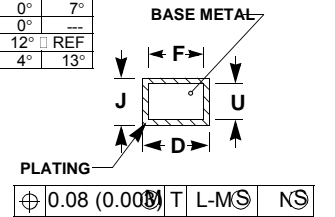
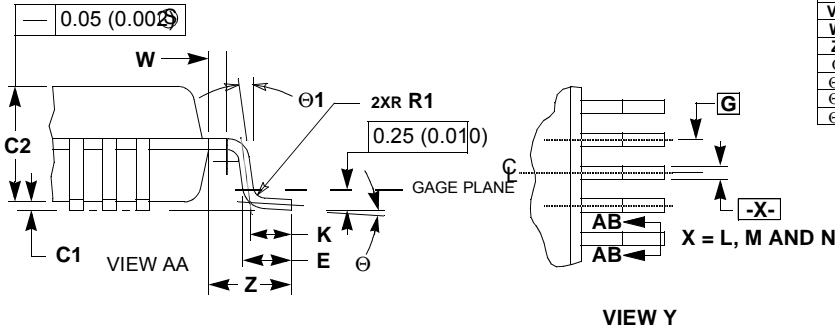
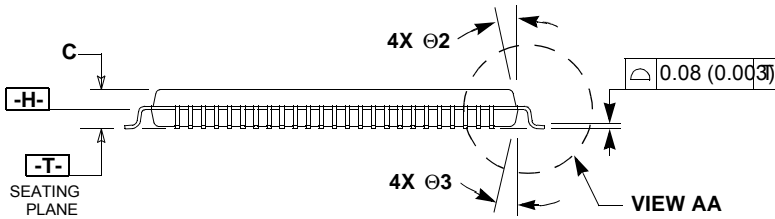


**CASE 983-01**

**NOTES:**

1. DIMENSIONING AND TOLERANCING PER ANSI Y14.5M, 1982.
2. CONTROLLING DIMENSION: MILLIMETER.
3. DATUM PLANE -H- IS LOCATED AT BOTTOM OF LEAD AND IS COINCIDENT WITH THE LEAD WHERE THE LEAD EXITS THE PLASTIC BODY AT THE BOTTOM OF THE PARTING LINE.
4. DATUMS -L-, -M- AND -N- TO BE DETERMINED AT DATUM PLANE -H-.
5. DIMENSIONS S AND V TO BE DETERMINED AT SEATING PLANE -T-.
6. DIMENSIONS A AND B DO NOT INCLUDE MOLD PROTRUSION. ALLOWABLE PROTRUSION IS 0.250 (0.010) PER SIDE. DIMENSIONS A AND B DO INCLUDE MOLD MISMATCH AND ARE DETERMINED AT DATUM PLANE -H-.
7. DIMENSION D DOES NOT INCLUDE DAMBAR PROTRUSION. DAMBAR PROTRUSION SHALL NOT CAUSE THE LEAD WIDTH TO EXCEED 0.350 (0.014). MINIMUM SPACE BETWEEN PROTRUSION AND ADJACENT LEAD OR PROTRUSION 0.070 (0.003).

MILLIMETERS		
DIM	MIN	MAX
A	14.00	BSC
A1	7.00	BSC
B	14.00	BSC
B1	7.00	BSC
C	---	1.70
C1	0.05	0.20
C2	1.30	1.50
D	0.10	0.30
E	0.45	0.75
F	0.15	0.23
G	0.50	BSC
J	0.07	0.20
K	0.50	REF
R1	0.08	0.20
S	16.00	BSC
S1	8.00	BSC
U	0.09	0.16
V	16.00	BSC
V1	8.00	BSC
W	0.20	REF
Z	1.00	REF
θ	0°	7°
θ1	0°	---
θ2	12°	REF
θ3	4°	13°



**Table 35. 100-pin Thin Quad Flat Pack (TQFP) Mechanical Information**



## 4.2 Ordering Drawings

Complete mechanical information regarding DSP56824 packaging is available by facsimile through Motorola's Mfax™ system. Call the following number to obtain instructions for using this system:

(602) 244-6609
----------------

The automated system requests the following information:

- The receiving fax telephone number including area code or country code
- The caller's Personal Identification Number (PIN)

**NOTE:**

For first time callers, the system provides instructions for setting up a PIN, which requires entry of a name and telephone number.

- The type of information requested:
- Instructions for using the system
- A literature order form
- Specific part technical information or data sheets
- Other information described by the system messages

A total of three documents can be ordered per call.

The mechanical drawings for the 100-pin TQFP package are referenced as 983-01.

## Part 5 Design Considerations

### 5.1 Thermal Design Considerations

An estimation of the chip junction temperature,  $T_J$ , in °C can be obtained from the equation:

$$\text{Equation 1: } T_J = T_A + (P_D \times R_{\theta JA})$$

Where:

$T_A$  = ambient temperature °C

$R_{\theta JA}$  = package junction-to-ambient thermal resistance °C/W

$P_D$  = power dissipation in package

Historically, thermal resistance has been expressed as the sum of a junction-to-case thermal resistance and a case-to-ambient thermal resistance:

$$\text{Equation 2: } R_{\theta JA} = R_{\theta JC} + R_{\theta CA}$$

Where:

$R_{\theta JA}$  = package junction-to-ambient thermal resistance °C/W

$R_{\theta JC}$  = package junction-to-case thermal resistance °C/W

$R_{\theta CA}$  = package case-to-ambient thermal resistance °C/W

$R_{\theta JC}$  is device-related and cannot be influenced by the user. The user controls the thermal environment to change the case-to-ambient thermal resistance,  $R_{\theta CA}$ . For example, the user can change the air flow around the device, add a heat sink, change the mounting arrangement on the Printed Circuit Board (PCB), or otherwise change the thermal dissipation capability of the area surrounding the device on the PCB. This model is most useful for ceramic packages with heat sinks; some 90% of the heat flow is dissipated through the case to the heat sink and out to the ambient environment. For ceramic packages, in situations where the heat flow is split between a path to the case and an alternate path through the PCB, analysis of the device thermal performance may need the additional modeling capability of a system level thermal simulation tool.

The thermal performance of plastic packages is more dependent on the temperature of the PCB to which the package is mounted. Again, if the estimations obtained from  $R_{\theta JA}$  do not satisfactorily answer whether the thermal performance is adequate, a system level model may be appropriate.

A complicating factor is the existence of three common definitions for determining the junction-to-case thermal resistance in plastic packages:

- Measure the thermal resistance from the junction to the outside surface of the package (case) closest to the chip mounting area when that surface has a proper heat sink. This is done to minimize temperature variation across the surface.
- Measure the thermal resistance from the junction to where the leads are attached to the case. This definition is approximately equal to a junction to board thermal resistance.

- Use the value obtained by the equation  $(T_J - T_T)/P_D$  where  $T_T$  is the temperature of the package case determined by a thermocouple.

As noted above, the junction-to-case thermal resistances quoted in this data sheet are determined using the first definition. From a practical standpoint, that value is also suitable for determining the junction temperature from a case thermocouple reading in forced convection environments. In natural convection, using the junction-to-case thermal resistance to estimate junction temperature from a thermocouple reading on the case of the package will estimate a junction temperature slightly hotter than actual. Hence, the new thermal metric, Thermal Characterization Parameter, or  $\Psi_{JT}$ , has been defined to be  $(T_J - T_T)/P_D$ . This value gives a better estimate of the junction temperature in natural convection when using the surface temperature of the package. Remember that surface temperature readings of packages are subject to significant errors caused by inadequate attachment of the sensor to the surface and to errors caused by heat loss to the sensor. The recommended technique is to attach a 40-gauge thermocouple wire and bead to the top center of the package with thermally conductive epoxy.

### NOTE:

Table 19 on page 20 contains the package thermal values for this chip.

## 5.2 Electrical Design Considerations

### WARNING:

This device contains protective circuitry to guard against damage due to high static voltage or electrical fields. However, normal precautions are advised to avoid application of any voltages higher than maximum rated voltages to this high-impedance circuit. Reliability of operation is enhanced if unused inputs are tied to an appropriate logic voltage level (e.g., either GND or  $V_{CC}$ ).

Use the following list of considerations to assure correct DSP operation:

- Provide a low-impedance path from the board power supply to each  $V_{DD}$  pin on the DSP, and from the board ground to each  $V_{SS}$  (GND) pin.
- The minimum bypass requirement is to place six 0.01–0.1  $\mu\text{F}$  capacitors positioned as close as possible to the package supply pins, one capacitor for each of the “Circuits Supplied” groups listed in Table 34 on page 55. The recommended bypass configuration is to place one bypass capacitor on each of the ten  $V_{DD}/V_{SS}$  pairs, including  $V_{DDPLL}/V_{SSPLL}$ .
- Ensure that capacitor leads and associated printed circuit traces that connect to the chip  $V_{DD}$  and  $V_{SS}$  (GND) pins are less than 0.5” per capacitor lead.
- Use at least a four-layer Printed Circuit Board (PCB) with two inner layers for  $V_{DD}$  and GND.
- Bypass the  $V_{DD}$  and GND layers of the PCB with approximately 100  $\mu\text{F}$ , preferably with a high-grade capacitor such as a tantalum capacitor.
- Because the DSP output signals have fast rise and fall times, PCB trace lengths should be minimal.
- Consider all device loads as well as parasitic capacitance due to PCB traces when calculating capacitance. This is especially critical in systems with higher capacitive loads that could create higher transient currents in the  $V_{DD}$  and GND circuits.
- All inputs must be terminated (i.e., not allowed to float) using CMOS levels.
- Take special care to minimize noise levels on the  $V_{DDPLL}$  and  $V_{SSPLL}$  pins.
- When using Wired-OR mode on the SPI or the  $\text{MODx}/\overline{\text{IRQx}}$  pins, the user must provide an external pull-up device.
- Designs that utilize the  $\overline{\text{TRST}}/\overline{\text{DE}}$  pin for JTAG port or OnCE module functionality (such as development or debugging systems) should allow a means to assert  $\overline{\text{TRST}}$  whenever  $\overline{\text{RESET}}$  is asserted, as well as a means to assert  $\overline{\text{TRST}}$  independently of  $\overline{\text{RESET}}$ . Designs that do not require debugging functionality, such as consumer products, should tie these pins together.
- Because the Flash memory is programmed through the JTAG/OnCE port, designers should provide an interface to this port to allow in-circuit Flash programming.

## Part 6 Ordering Information

Table 36 lists the pertinent information needed to place an order. Consult a Freescale Semiconductor sales office or authorized distributor to determine availability and to order parts.

**Table 36. DSP56824 Ordering Information**

Part	Supply Voltage	Package Type	Pin Count	Frequency (MHz)	Order Number
DSP56824	2.7–3.6 V	Plastic Thin Quad Flat Pack (TQFP)	100	70	DSP56824BU70

## How to Reach Us:

### Home Page:

www.freescale.com

### E-mail:

support@freescale.com

### USA/Europe or Locations Not Listed:

Freescale Semiconductor  
Technical Information Center, CH370  
1300 N. Alma School Road  
Chandler, Arizona 85224  
+1-800-521-6274 or +1-480-768-2130  
support@freescale.com

### Europe, Middle East, and Africa:

Freescale Halbleiter Deutschland GmbH  
Technical Information Center  
Schatzbogen 7  
81829 Muenchen, Germany  
+44 1296 380 456 (English)  
+46 8 52200080 (English)  
+49 89 92103 559 (German)  
+33 1 69 35 48 48 (French)  
support@freescale.com

### Japan:

Freescale Semiconductor Japan Ltd.  
Headquarters  
ARCO Tower 15F  
1-8-1, Shimo-Meguro, Meguro-ku,  
Tokyo 153-0064  
Japan  
0120 191014 or +81 3 5437 9125  
support.japan@freescale.com

### Asia/Pacific:

Freescale Semiconductor Hong Kong Ltd.  
Technical Information Center  
2 Dai King Street  
Tai Po Industrial Estate  
Tai Po, N.T., Hong Kong  
+800 2666 8080  
support.asia@freescale.com

### For Literature Requests Only:

Freescale Semiconductor Literature Distribution Center  
P.O. Box 5405  
Denver, Colorado 80217  
1-800-441-2447 or 303-675-2140  
Fax: 303-675-2150  
LDCForFreescaleSemiconductor@hibbertgroup.com

RoHS-compliant and/or Pb-free versions of Freescale products have the functionality and electrical characteristics of their non-RoHS-compliant and/or non-Pb-free counterparts. For further information, see <http://www.freescale.com> or contact your Freescale sales representative.

For information on Freescale's Environmental Products program, go to <http://www.freescale.com/epp>.

Information in this document is provided solely to enable system and software implementers to use Freescale Semiconductor products. There are no express or implied copyright licenses granted hereunder to design or fabricate any integrated circuits or integrated circuits based on the information in this document.

Freescale Semiconductor reserves the right to make changes without further notice to any products herein. Freescale Semiconductor makes no warranty, representation or guarantee regarding the suitability of its products for any particular purpose, nor does Freescale Semiconductor assume any liability arising out of the application or use of any product or circuit, and specifically disclaims any and all liability, including without limitation consequential or incidental damages. "Typical" parameters which may be provided in Freescale Semiconductor data sheets and/or specifications can and do vary in different applications and actual performance may vary over time. All operating parameters, including "Typicals" must be validated for each customer application by customer's technical experts. Freescale Semiconductor does not convey any license under its patent rights nor the rights of others. Freescale Semiconductor products are not designed, intended, or authorized for use as components in systems intended for surgical implant into the body, or other applications intended to support or sustain life, or for any other application in which the failure of the Freescale Semiconductor product could create a situation where personal injury or death may occur. Should Buyer purchase or use Freescale Semiconductor products for any such unintended or unauthorized application, Buyer shall indemnify and hold Freescale Semiconductor and its officers, employees, subsidiaries, affiliates, and distributors harmless against all claims, costs, damages, and expenses, and reasonable attorney fees arising out of, directly or indirectly, any claim of personal injury or death associated with such unintended or unauthorized use, even if such claim alleges that Freescale Semiconductor was negligent regarding the design or manufacture of the part.

