

# Isolator

## Dual Junction Drop-In

### Model: DSW1001-A

### Application - WIRELESS

- ◆ Base Station
- ◆ Filter Subsystems, Combiners, and Amplifiers
- ◆ PCS1900/DCS1800, EGSM, AMPS

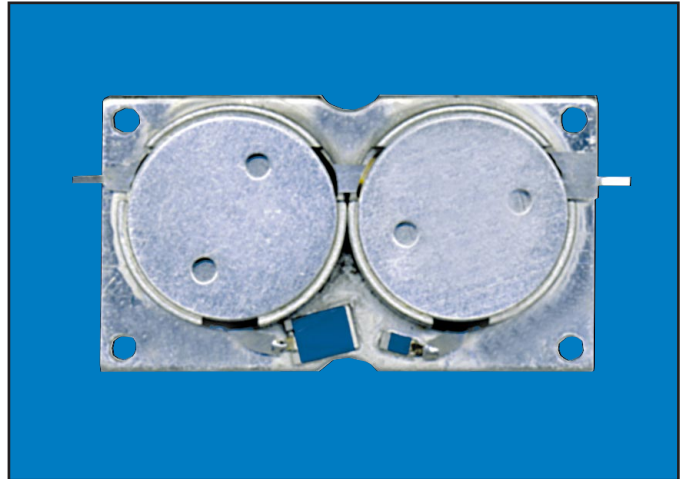
### Benefits

- ◆ Low Insertion Loss
- ◆ Excellent IM3 Performance

www.DataSheet4U.com

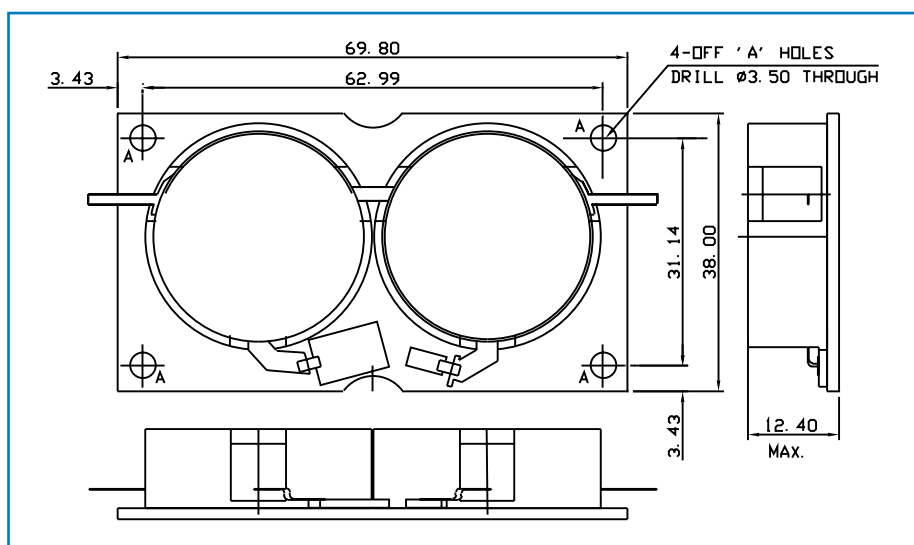
### Features

- ◆ Rugged Construction
- ◆ Magnetic Screening
- ◆ Integral Termination



### Specifications

Parameter	Specification			Unit	Parameter	Specification			Unit
	Min	Typ	Max			Min	Typ	Max	
Frequency	869 to 894			MHz	Operating Temp.	-10	-	+70	°C
Isolation	23	25	-	dB	Forward Power	-	-	100	W
Insertion Loss	-	0.3	0.35	dB	Reverse Power	-	-	60	W
Return Loss	23	25	-	dB	Interface	Tab			-



**TRAK Microwave Limited**  
 Dunsinane Avenue, Dundee, Scotland DD2 3QF  
 Phone: +44 (0)1382 833 411 ♦ Fax: +44 (0)1382 833 599  
 E-mail: trakeurope@trak.com ♦ www.trak.com

