

MODEL NUMBER DSW18033

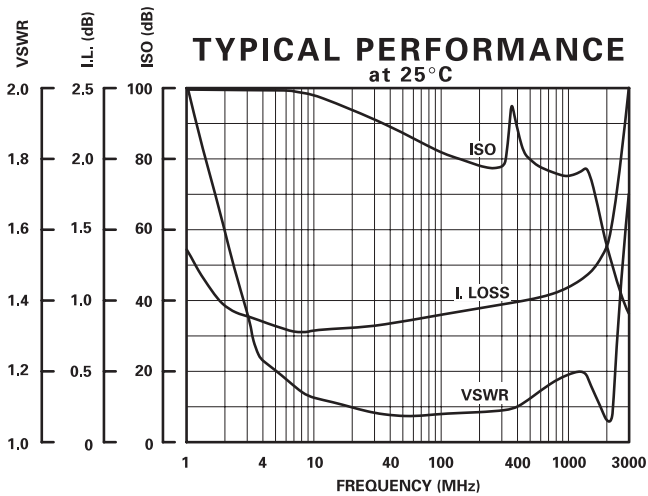
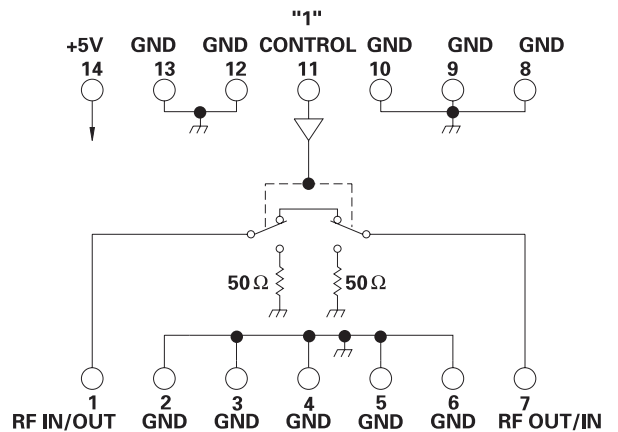
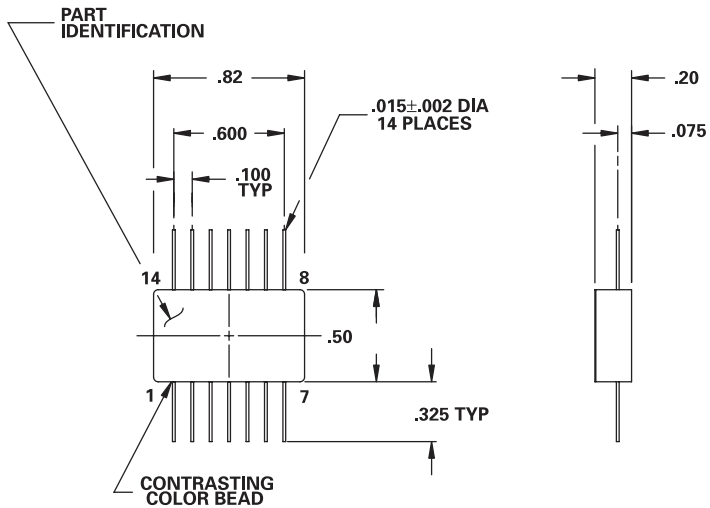
GaAs SPST

FEATURES

- 10-1000 MHz
- High Isolation
- 15 nSec Switching Speed
- Non-Reflective
- TTL Driver
- 14 Pin Flatpack

SPST

www.DataSheet4U.com



GUARANTEED PERFORMANCE

Parameter	Min	Typ	Max	Units	Conditions
Operating Frequency	10		1000	MHz	
DC Current		2	7	mA	AT +5 VDC Supply
Control Type		TTL			1 Line Logic "1" = ON Logic "0" = OFF
Control Current:		1	50	μA	VIH = +2.0V
		1	-500	μA	VIL = +0.8V
Insertion Loss		1.0	1.7	dB	
Isolation	60	75		dB	
VSWR		1.15/1	1.5/1		
		1.15/1	1.5/1		
Impedance		50		OHMS	
Switching Speed		15	35	nSEC	50% TTL to 10% / 90% RF
Transition (Rise/Fall) Time		8		nSEC	10% / 90% or 90% / 10% RF
Switching (Video) Transients		40		mV	Peak Value
Intercept Points		+88		dBm	70 / 50 MHz
		+40	+44	dBm	35 / 50 MHz
RF Power		+12	+10	dBm	0.1 dB Compression
			+30	dBm	
Operating Temperature	-40	+25	+90	°C	TA