

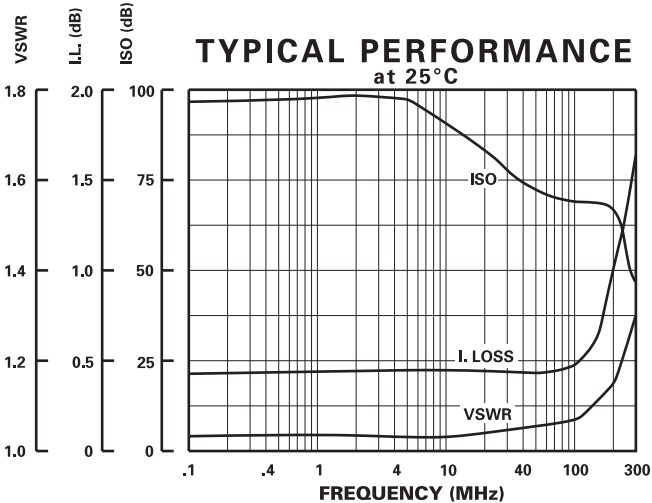
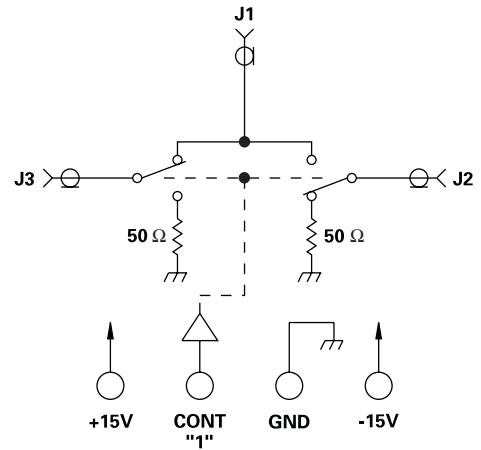
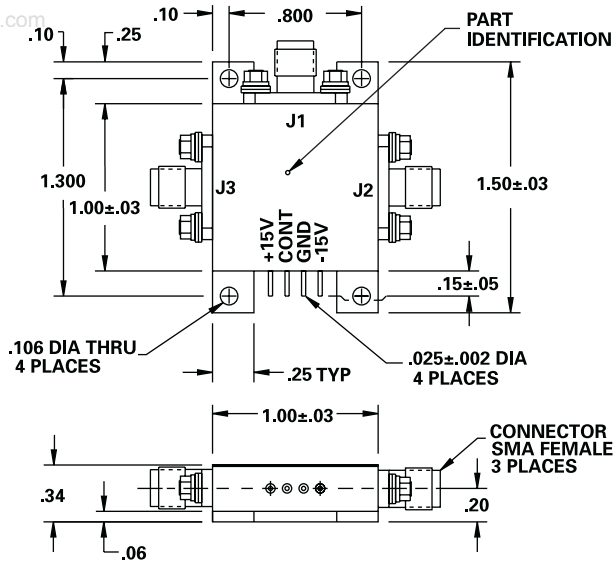
**MODEL NUMBER
DSW26189**

GaAs SP2T

FEATURES

- 0.1 - 150 MHz
- High Intercept Points
- 2.5 mA, +15 VDC
- 60 dB Isolation

SP2T



LOGIC TABLE	
"0"	J1 To J2
"1"	J1 To J3

GUARANTEED PERFORMANCE

Parameter	Min	Typ	Max	Units	Conditions	
Operating Frequency	0.1		150	MHz		
DC Current		2.5	10	mA	At +15 VDC Supply	
		1.5	10	mA	At -15 VDC Supply	
Control Type		TTL			See Logic Chart	
Control Current		High	±100	µA	VIH = +2.7V	
		Low	1.0	±100	VIL = +0.5V	
Insertion Loss		0.6	1.0	dB		
Isolation		60	64	dB		
VSWR		Thru	1.10/1	1.5/1		
		Termination	1.08/1	1.5/1		
Impedance			50	OHMS		
Switching Speed			0.15	5	µSEC	
Transition (Rise/Fall) Time			0.02		µSEC	
Switching (Video) Transients			+81		dBm	
Intercept Points			+81		dBm	
		2nd	+36		dBm	
		3rd	+56		dBm	
RF Power			Operate	+22	+18	dBm
			No Damage	+30		dBm
Operating Temperature	-55	+25	+125	°C	TA	