

# MODEL NUMBER DSW46174

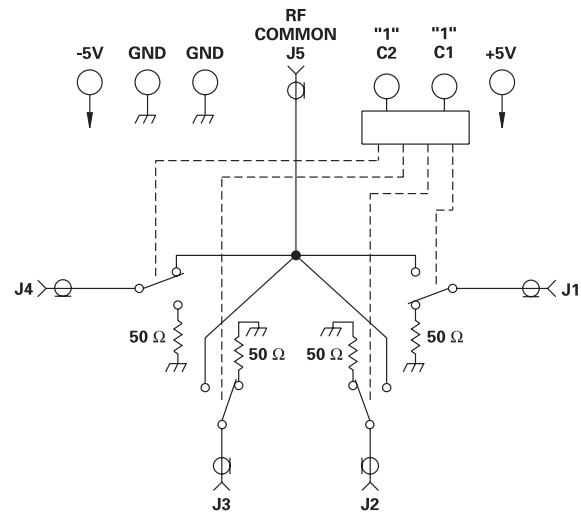
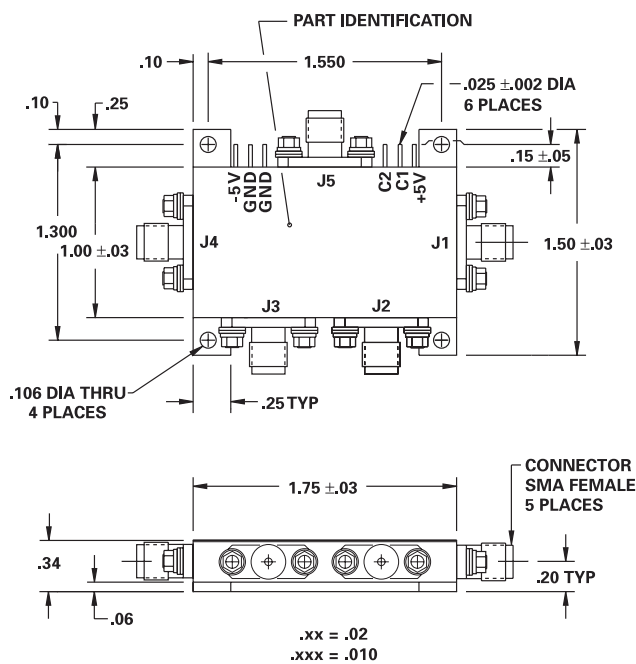
# Switch SP4T

## FEATURES

- DC - 4000 MHz
- 33 nSec Switching Speed
- 54 dB Isolation
- 2.2 dB Insertion Loss
- SMA Female Connectors

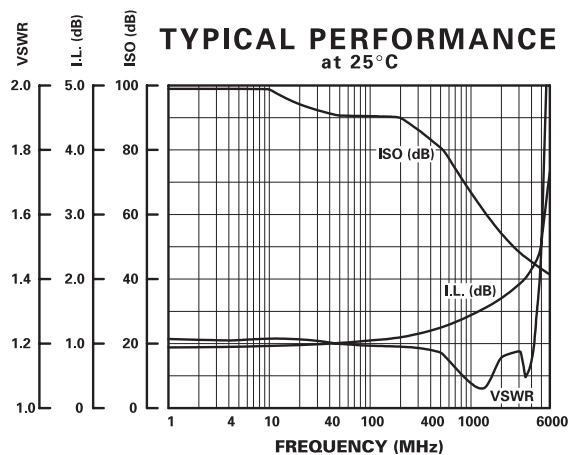
## SP4T

www.DataSheet4U.com



LOGIC TABLE		
C2	C1	RF PATH
0	0	J5-J1
0	1	J5-J2
1	0	J5-J3
1	1	J5-J4

## GUARANTEED PERFORMANCE



Parameter	Min	Typ	Max	Units	Conditions
Operating Frequency	DC		4000	MHz	
DC Current		0.52	10	mA	At +5 VDC Supply
		-0.13	10	mA	At -5 VDC Supply
Control Type		TTL			See Logic Table
Control Current	High	±10	±10	µA	VIH = +2.7 V
	Low	±10	±10	µA	VIL = +0.5 V
Insertion Loss		2.2	3	dB	
Isolation	50	54		dB	At 2 GHz
VSWR	Thru	1.24/1	1.5/1		
	Termination	1.19/1	1.5/1		
Impedance		50		OHMS	
Switching Speed		33	100	nSec	50% TTL - 90% / 10% RF
Transition (Rise/Fall) Time		4	25	nSec	10% / 90% or 90% / 10% RF
Switching (Video) Transients		28	100	V	Peak Value
Intercept Points	2nd	+43		dBm	2 MHz / 3 MHz
	3rd	+30	+31.5	dBm	At 1 MHz Single Tone
RF Power	Operate	+9.6		dBm	0.1 dB Compression
	No Damage		+23	dBm	
Operating Temperature	-55	+25	+125	°C	TA