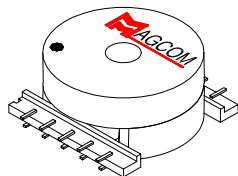


HDSL Transformer

★ For use with Level One SK70720/70721 Application



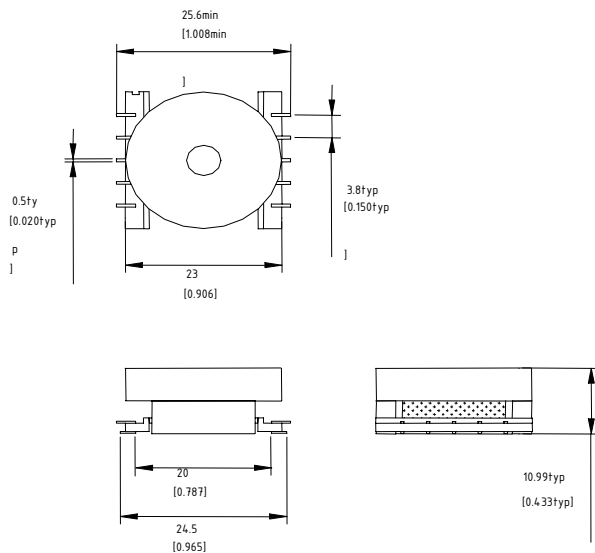
★ Excellent SMD performance

★ Designs exceed standards for ANSI and ETSI

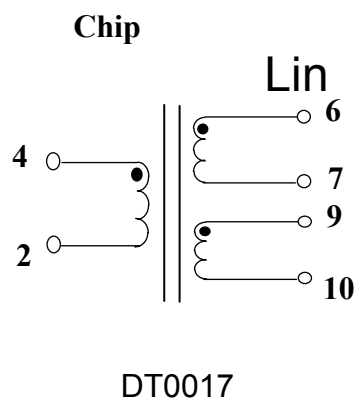
Specifications					
Part Number	Application	Turn Ratio (1%) Chip:Line	OCL @ 10 KHz, 0.1 V Line Side	Leakage Inductance (4-2)@100KHZ,0.1V	DC Bias
DT0017	HDSL	1:1.8	3.6mH(±10%)	17.5uH Max	160mA

Specifications continue					
Part Number	Longitudinal Balance @20-255KHz	THD @ 5 KHz	DCR Line Side(6-10)	DCR Chip Side(4-2)	Isolation Voltage 10mA,1sec
DT0017	50 dB Min	70 dB Min	4.2 ohm ±10%	2.35ohm ±10%	1500(Vrms)

Dimension



Schematic



Data sheet subject to change without notice