



Displaytech

a seacomp company

TFT LCD Module Product Specification

DT010TFT

1.0" (80(RGB) x 160 PIXELS) TFT Module

June 1, 2016

Remark:

Contents in this document are subject to change without notice. No part of this document may be reproduced or transmitted in any form or by any means, electronic or mechanical, for any purpose, without the express written permission of Displaytech Ltd.

Displaytech Ltd.

Tel: (852) 2311 2080 ; Fax: (852) 2722 6998 ; Email: sales@displaytech.com.hk

Address: 31E Billion Plaza 2, No. 10 Cheung Yue Street, Cheung Sha Wan, Kowloon,
Hong Kong.

Website: <http://www.displaytech.com.hk>

Revision Record

| REV | CHANGES | DATE |
|-------------------------------|----------------|-------------|
| 0.0 (Ref. 1.0 20150707) | First release | Jun 1, 2016 |
| | - | |
| | - | |
| | | |
| | | |
| | | |
| | | |
| | | |
| | | |
| | | |
| | | |

Table of Content

| | |
|---|-----------|
| Revision Record | 1 |
| 1. Scope..... | 3 |
| 2. Application | 3 |
| 3. General Information | 3 |
| 4. Outline Drawing | 4 |
| 5. Interface Signals | 5 |
| 6. Absolute Maximum Ratings | 5 |
| 7. Electrical Specifications..... | 5 |
| 8. Command / AC Timing..... | 7 |
| 9. Optical Specification..... | 9 |
| 10. Environmental / Reliability Tests | 12 |
| 11. Precautions for Use of LCD Modules | 12 |

1. Scope

This data sheet is to introduce the specification of DT010TFT active matrix TFT module. It is composed of a color TFT-LCD panel, driver ICs, FPC and a backlight unit. The 1.0" display area contains 80 (RGB) x 160 pixels.

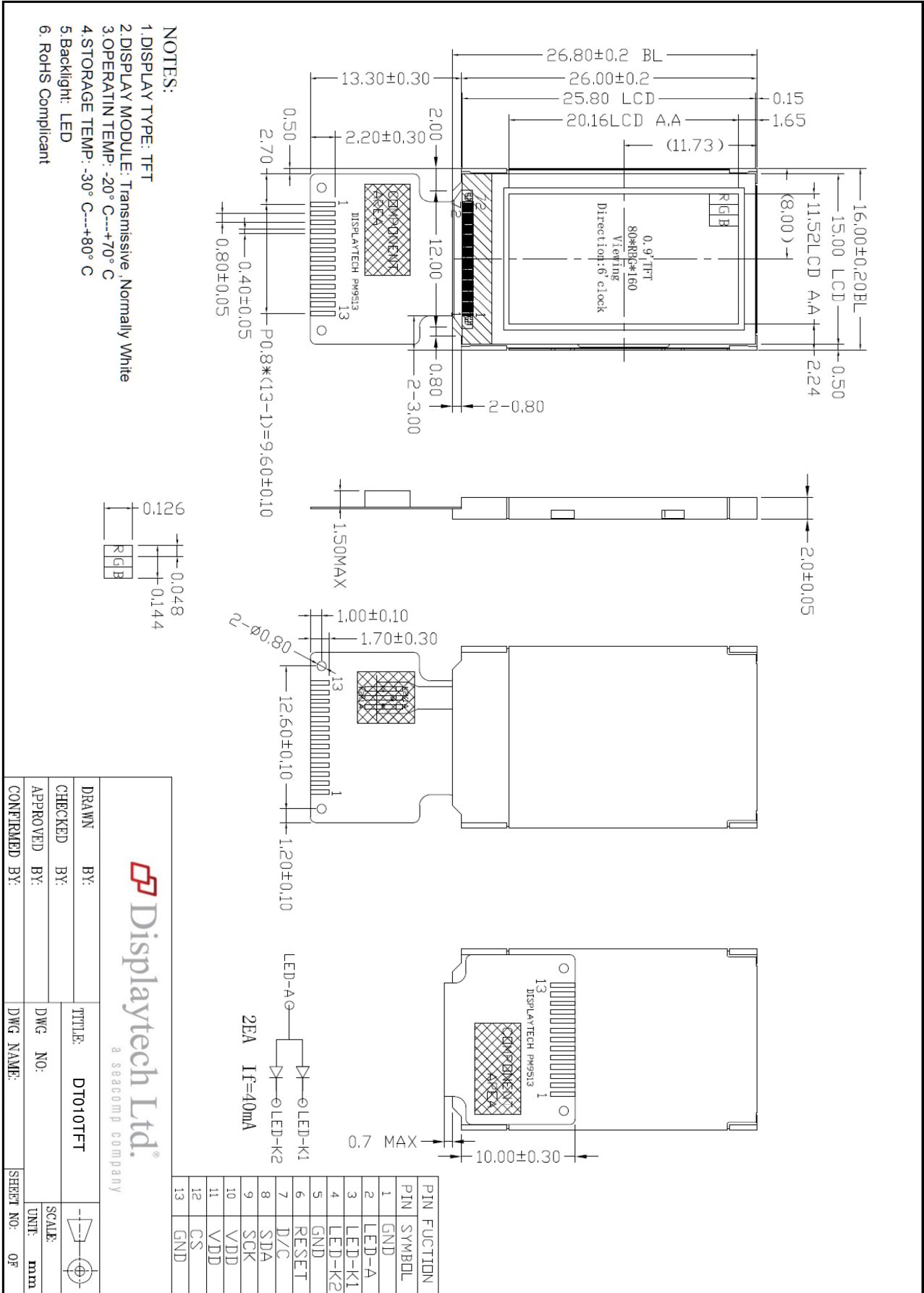
2. Application

Digital equipment which need color display, mobile navigator/video systems.

3. General Information

| Item | Contents | Unit |
|-------------------------------|------------------------------|------|
| Size | 1.0 | inch |
| Resolution | 80(RGB) x 160 | / |
| Interface | 4-wire-SPI | / |
| Technology Type | TFT | / |
| Pixel Configuration | R.G.B. Stripe | / |
| Pixel Pitch | 0.144 x 0.126 | mm |
| Outline Dimension (W x H x D) | 16.00 x 26.80 x 2.0 | mm |
| Active Area | 11.52 x 20.16 | mm |
| Display Mode | Normally white, Transmissive | / |
| Backlight Type | LED | / |

4. Outline Drawing



5. Interface Signals

| No | Symbol | I/O | Description | Remark |
|----|--------|-----|--------------------------------|--------|
| 1 | GND | P | Ground | |
| 2 | LEDA | P | LED backlight (Anode) | |
| 3 | LEDK1 | P | LED backlight (Cathode) | |
| 4 | LEDK2 | P | LED backlight (Cathode) | |
| 5 | GND | P | Ground | |
| 6 | RESET | I | Reset the display | |
| 7 | D/C | I | Command / Data select | |
| 8 | SDA | I | Serial input / output data bus | |
| 9 | SCK | I | Serial clock | |
| 10 | VCC | P | Power supply | |
| 11 | VCC | P | Power supply | |
| 12 | CS | I | Chip select pin | |
| 13 | GND | P | Ground | |

6. Absolute Maximum Ratings

6.1 Electrical absolute maximum ratings

| Parameter | Symbol | MIN | MAX | Unit | Remark |
|-------------------------------------|--------|------|---------|------|-----------|
| Power Supply Voltage | VCC | -0.3 | 3.3 | V | Note 1, 2 |
| Logic Signal Input / Output Voltage | VIOVCC | -0.3 | VCC+0.5 | V | |

Notes:

- If the module is above these absolute maximum ratings. It may become permanently damaged. Using the module within the following electrical characteristic conditions are also exceeded, the module will malfunction and cause poor reliability.
- VCC > VSS must be maintained.

6.2 Environment conditions

| Parameter | Symbol | MIN | MAX | Unit | Remark |
|-----------------------|--------|-----|-----|------|--------|
| Operating Temperature | TOPR | -20 | +70 | °C | |
| Storage Temperature | TSTG | -30 | +80 | °C | |

7. Electrical Specifications

7.1 Electrical characteristics

GND=0V, Ta=25°C

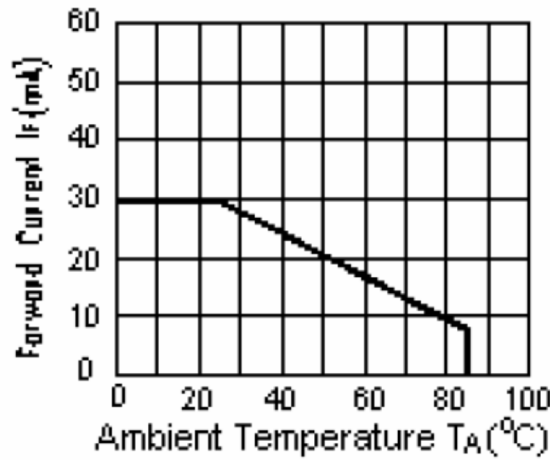
| Item | Symbol | MIN | TYP | MAX | Unit | Remark |
|---------------------|--------|-----|--------|-----|--------|-------------|
| Power Supply | VCC | 2.6 | 2.8 | 3.0 | V | Ta=25°C |
| Input Voltage | H | VIH | 0.8VCC | - | VCC | VCC=2.8V |
| | L | VIL | 0 | - | 0.2VCC | |
| Current Consumption | ICC1 | - | 1.5 | 2.5 | mA | Normal mode |
| | ICC2 | - | 0.03 | 0.1 | mA | Sleep mode |

Note 1: Tested in 1×1 chessboard pattern.

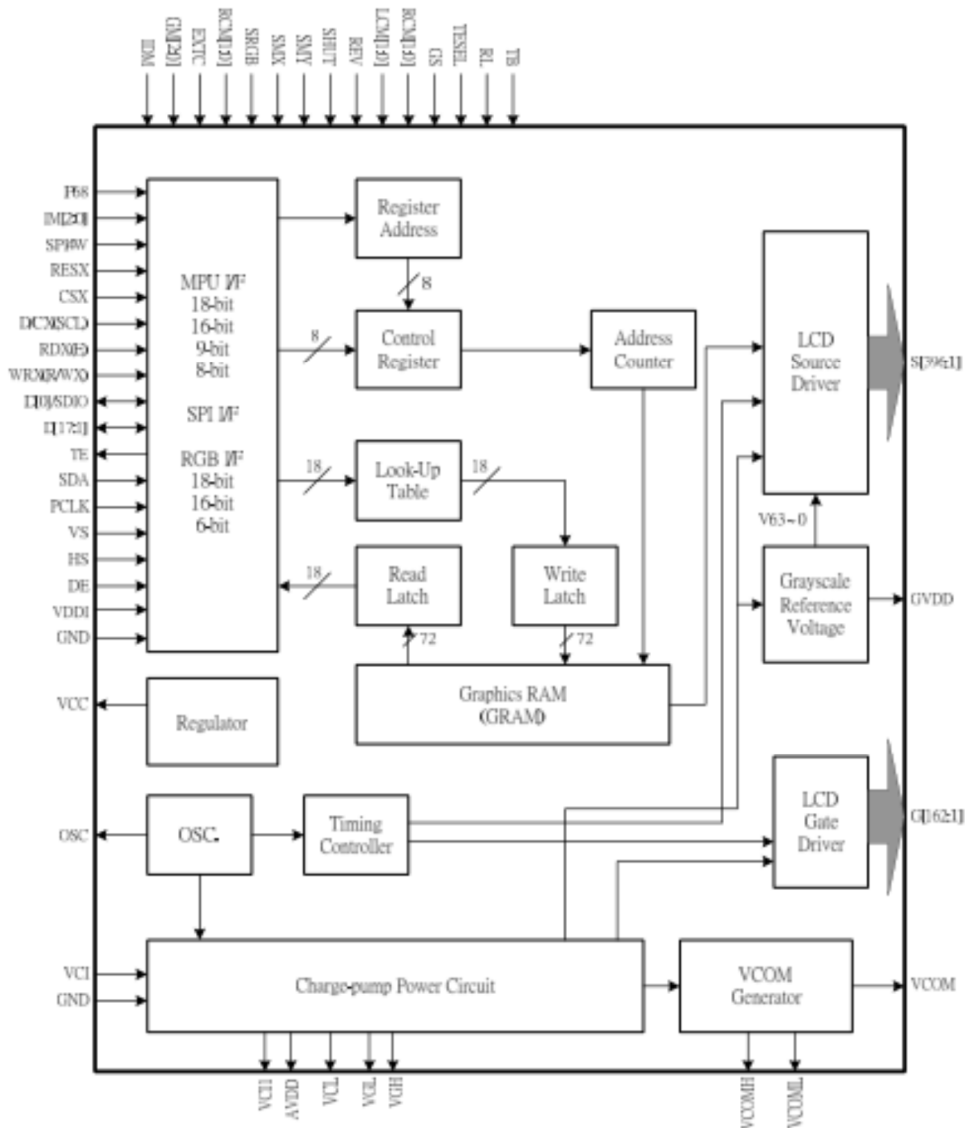
7.2 LED backlight

Ta=25°C

| Item | Symbol | MIN | TYP | MAX | Unit | Remark |
|-----------------|--------|-----|--------|-----|------|-----------|
| Forward voltage | VF | - | 3.0 | - | V | If=20x2mA |
| LED life time | - | - | 30,000 | - | Hr | |



7.3 Block Diagram



8. Command / AC Timing

8.1 SPI write/read to register or GRAM

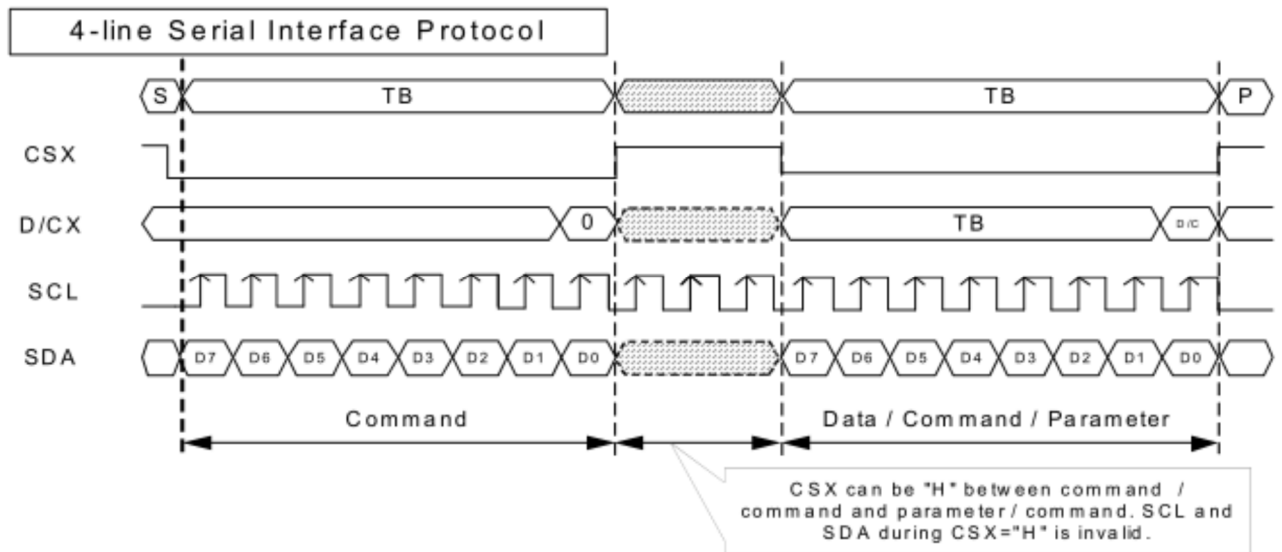


Figure: 4-pins Serial Protocol for writing register or GRAM

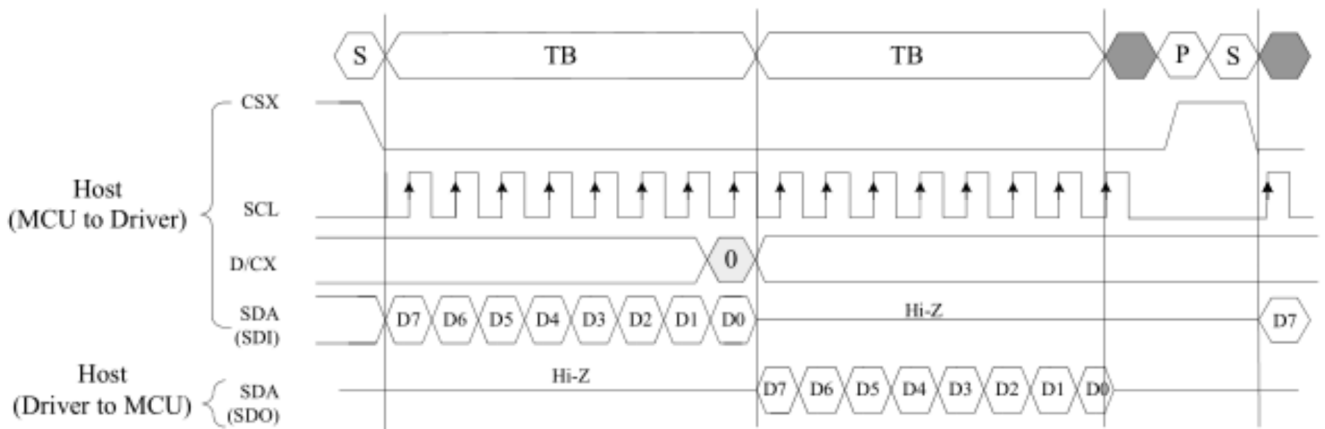


Figure: 4-pins Serial Protocol (for DAH/DBH/DCH/0AH/0BH/0CH/0DH/0EH/0FH command:8-bit read)

8.2 i80-System Interface Timing Characteristics

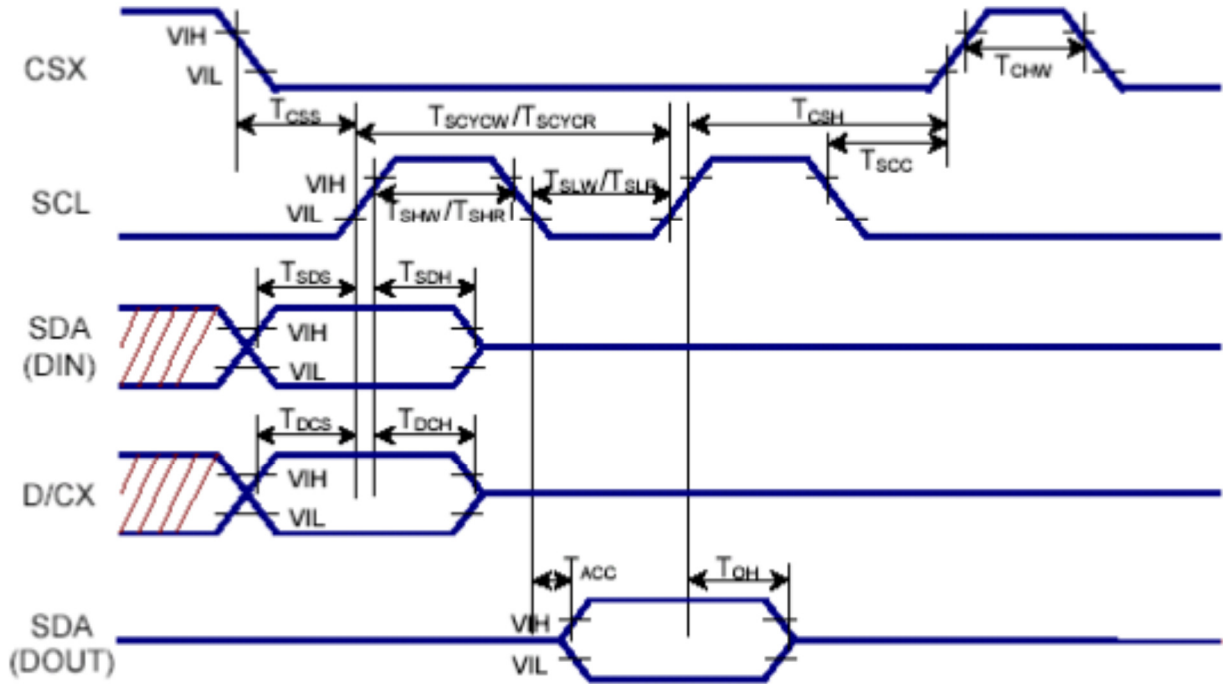


Table: 4 pin Serial Interface Characteristics

| Signal | Symbol | Parameter | MIN | MAX | Unit | Description |
|--------------------|--------------------|-----------------------------|-----|-----|------|-----------------------|
| CSX | T _{CSS} | Chip select setup time | 10 | | ns | |
| | T _{CSH} | Chip select hold time | 30 | | ns | |
| | T _{CHW} | Chip select "H" pulse width | 30 | | ns | |
| SCL | T _{SCYCW} | Serial clock cycle(Write) | 66 | | ns | |
| | T _{SHW} | S"L"H" pulse width(Write) | 15 | | ns | |
| | T _{SLW} | S"L"L" pulse width(Write) | 15 | | ns | |
| | T _{SCYCR} | Serial clock cycle(Read) | 150 | | ns | |
| | T _{SHR} | S"L"H" pulse width(Read) | 60 | | ns | |
| | T _{SLR} | S"L"L" pulse width(Read) | 60 | | ns | |
| D/CX | T _{DCS} | D/CX setup time | 5 | | ns | |
| | T _{DCH} | D/CX hold time | 5 | | ns | |
| SDA(DIN) (DOUT) | T _{SDS} | Data setup time | 5 | | ns | |
| | T _{SDH} | Data hold time | 5 | | ns | |
| | T _{ACC} | Access time | 5 | 50 | ns | For maximum CL = 30pF |
| | T _{OH} | Output disable time | 10 | | ns | For minimum CL = 8pF |

9. Optical Specification

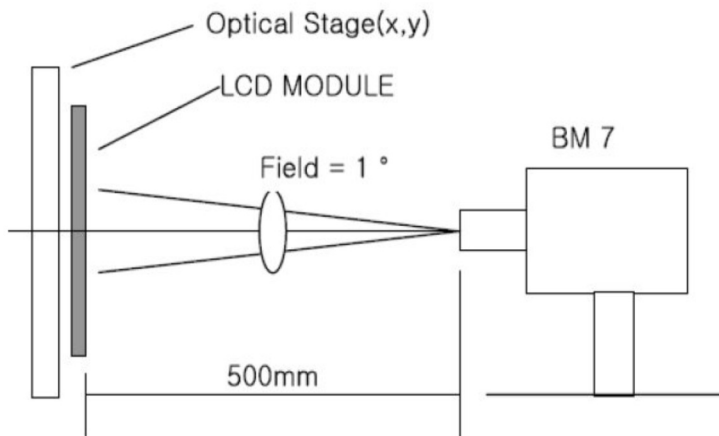
Ta=25°C

| Item | Symbol | Condition | MIN | TYP | MAX | Unit | Remark |
|----------------|------------|------------------|-----|------|-----|-------------------|-----------|
| Contrast ratio | CR | $\theta=0^\circ$ | 300 | 500 | - | | Note 1, 2 |
| Response time | Tr | 25°C | - | 10 | - | ms | Note 1, 3 |
| | Tf | | - | 10 | - | | |
| View angles | ΘT | $CR \geq 10$ | - | 55 | - | Degree | Note 4 |
| | ΘB | | - | 65 | - | | |
| | ΘL | | - | 65 | - | | |
| | ΘR | | - | 65 | - | | |
| Chromaticity | White | Brightness is on | x | 0.28 | - | | Note 1, 5 |
| | | | y | 0.33 | - | | |
| | Red | | x | 0.51 | - | | |
| | | | y | 0.34 | - | | |
| | Green | | x | 0.31 | - | | |
| | | | y | 0.56 | - | | |
| Blue | x | 0.15 | - | | | | |
| | y | 0.14 | - | | | | |
| NTSC Ratio | S | | 50 | 60 | | % | Note 1, 5 |
| Luminance | L | | - | 150 | - | cd/m ² | Note 1, 6 |
| Uniformity | U | | 80 | - | - | % | Note 1, 7 |

Note 1: Definition of optical measurement system.

Temperature = 25°C(±3°C)

LED back-light: ON, Environment brightness < 150 lx

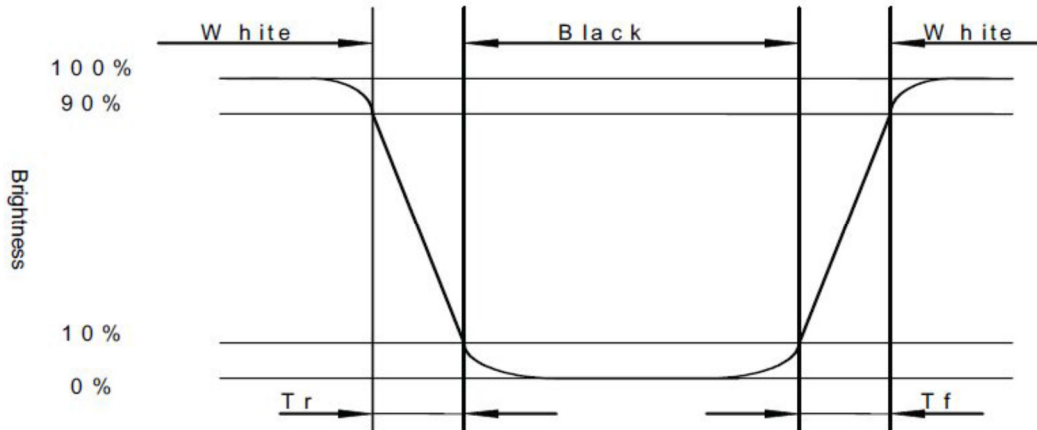


Note 2: Contrast ratio is defined as follow:

$$\text{Contrast Ratio} = \frac{\text{Surface Luminance with all white pixels}}{\text{Surface Luminance with all black pixels}}$$

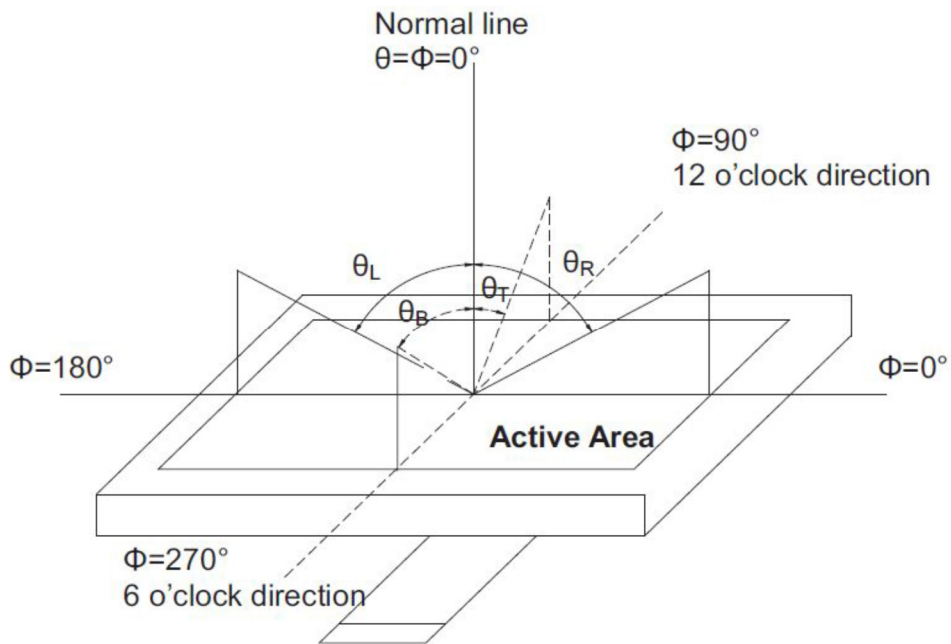
Note 3: Response time is defined as follow:

Response time is the time required for the display to transition from black to white (Rise time, T_r) and from white to black (Decay Time, T_f).



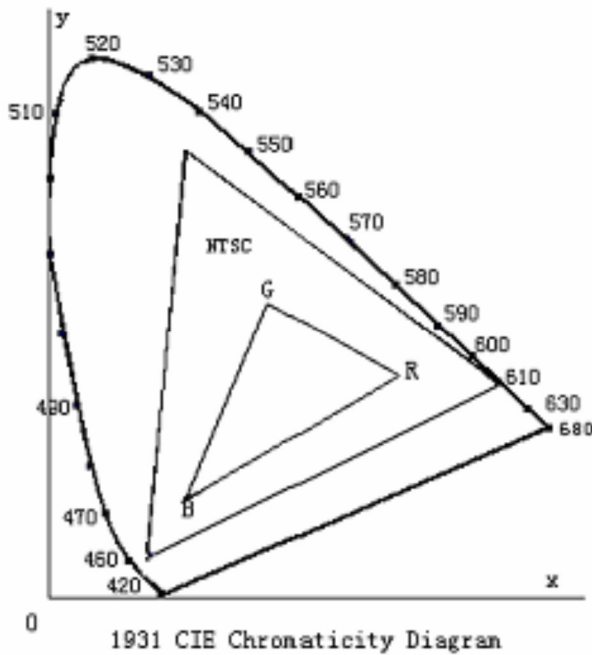
Note 4: Viewing angle range is defined as follow:

Viewing angle is measured at the center point of the LCD.



Note 5: Color chromaticity is defined as follow (CIE1931)

Color coordinates measured at center point of LCD.



$$S = \frac{\text{area of RGB triangle}}{\text{area of NTSC triangle}} \times 100\%$$

Note 6: Luminance is defined as follow:

Luminance is defined as the brightness of all pixels “White” at the center of display area on optimum contrast.

Note 7: Luminance Uniformity is defined as follow:

Active area is divided into 9 measuring areas (Refer Fig.2). Every measuring point is placed at the center of each measuring area.

$$\text{Uniformity (U)} = \frac{\text{Minimum Luminance(brightness) in 9 points}}{\text{Maximum Luminance(brightness) in 9 points}}$$

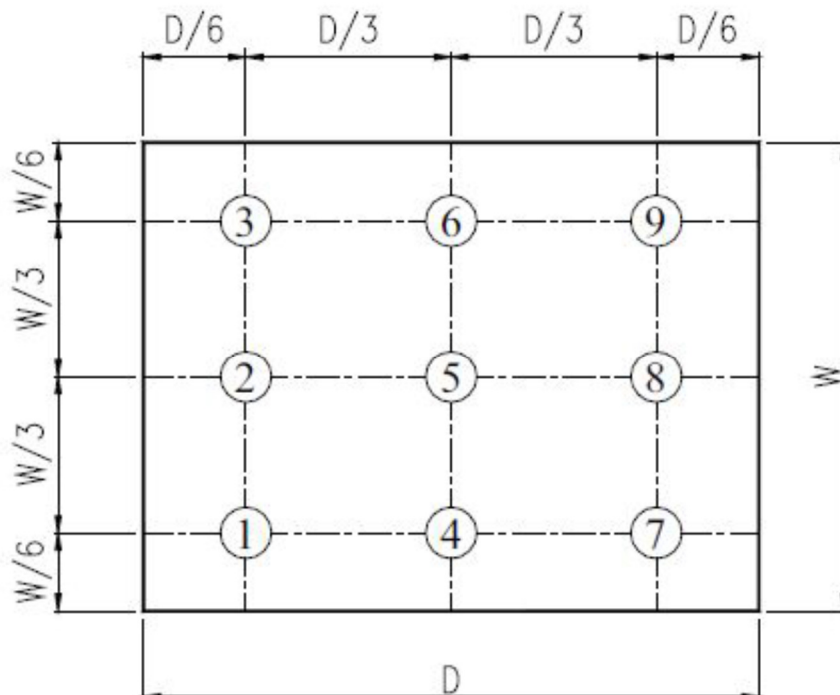


Fig. 2 Definition of uniformity

10. Environmental / Reliability Tests

| No | Test Item | Condition | Judgment Criteria |
|----|-----------------------------------|--|---|
| 1 | High Temp Operation | Ta=+70°C, 120hrs | Per table below |
| 2 | Low Temp Operation | Ta=-20°C, 120hrs | Per table below |
| 3 | High Temp Storage | Ta=+80°C, 120hrs | Per table below |
| 4 | Low Temp Storage | Ta=-30°C, 120hrs | Per table below |
| 5 | High Temp & High Humidity Storage | Ta=+60°C, 90% RH, 120hrs | Per table below (polarizer discoloration is excluded) |
| 6 | Thermal Shock (Non-operation) | -20°C 30 min~+70°C 30 min, Change time:5min, 10 Cycles | Per table below |
| 7 | ESD (Operation) | C=150pF, R=330Ω, 5points/panel Air:±8KV, 5times; Contact:±4KV, 5 times; | Per table below |
| 8 | Vibration (Non-operation) | Frequency range:10~55Hz, Stroke:1.5mm Sweep:10Hz~55Hz~10Hz 2 hours for each direction of X.Y.Z. | Per table below |
| 9 | Shock (Non-operation) | 60G 6ms, ±X,±Y,±Z 3times, for each direction | Per table below |
| 10 | Package Drop Test | Height: 80cm, 1 corner, 3 edges, 6 surfaces | Per table below |

| Inspection | Criterion (after test) |
|------------------------|---|
| Appearance | No crack on the FPC, on the LCD panel |
| Alignment of LCD panel | No bubbles in the LCD panel No other defects of alignment in active area |
| Electrical current | Within device specifications |
| Function / Display | No broken circuit, no short circuit or no black line No other defects of display |

11. Precautions for Use of LCD Modules

11.1 Safety

The liquid crystal in the LCD is poisonous. Do not put it in your mouth. If the liquid crystal touches your skin or clothes, wash it off immediately using soap and water.

11.2 Handling

- The LCD and touch panel is made of plate glass. Do not subject the panel to mechanical shock or to excessive force on its surface.
- Do not handle the product by holding the flexible pattern portion in order to assure the reliability.
- Transparency is an important factor for the touch panel. Please wear clear finger sacks, gloves and mask to protect the touch panel from finger print or stain and also hold the portion outside the view area when handling the touch panel.
- Provide a space so that the panel does not come into contact with other components.
- To protect the product from external force, put a covering lens (acrylic board or similar board) and keep an appropriate gap between them.
- Transparent electrodes may be disconnected if the panel is used under environmental conditions where dew condensation occurs.
- Property of semiconductor devices may be affected when they are exposed to light, possibly resulting in IC malfunctions.

- h. To prevent such IC malfunctions, your design and mounting layout shall be done in the way that the IC is not exposed to light in actual use.

11.3 Static electricity

- Ground soldering iron tips, tools and testers when they are in operation.
- Ground your body when handling the products.
- Power on the LCD module before applying the voltage to the input terminals.
- Do not apply voltage which exceeds the absolute maximum rating.
- Store the products in an anti-electrostatic bag or container.

11.4 Storage

- Store the products in a dark place at $+25^{\circ}\text{C}\pm 10^{\circ}\text{C}$ with low humidity (40% RH to 60% RH). Don't expose to sunlight or fluorescent light.
- Storage in a clean environment, free from dust, active gas, and solvent.

11.5 Cleaning

- Do not wipe the touch panel with dry cloth, as it may cause scratch.
- Wipe off the stain on the product by using soft cloth moistened with ethanol. Do not allow ethanol to get in between the upper film and the bottom glass. It may cause peeling issue or defective operation. Do not use any organic solvent or detergent other than ethanol.

11.6 Cautions for installing and assembling

Bezel edge must be positioned in the area between the Active area and View area. The bezel may press the touch screen and cause activation if the edge touches the active area. A gap of approximately 0.5mm is needed between the bezel and the top electrode. It may cause unexpected activation if the gap is too narrow. There is a tolerance of 0.2 to 0.3mm for the outside dimensions of the touch panel and tail. A gap must be made to absorb the tolerance in the case and connector.

