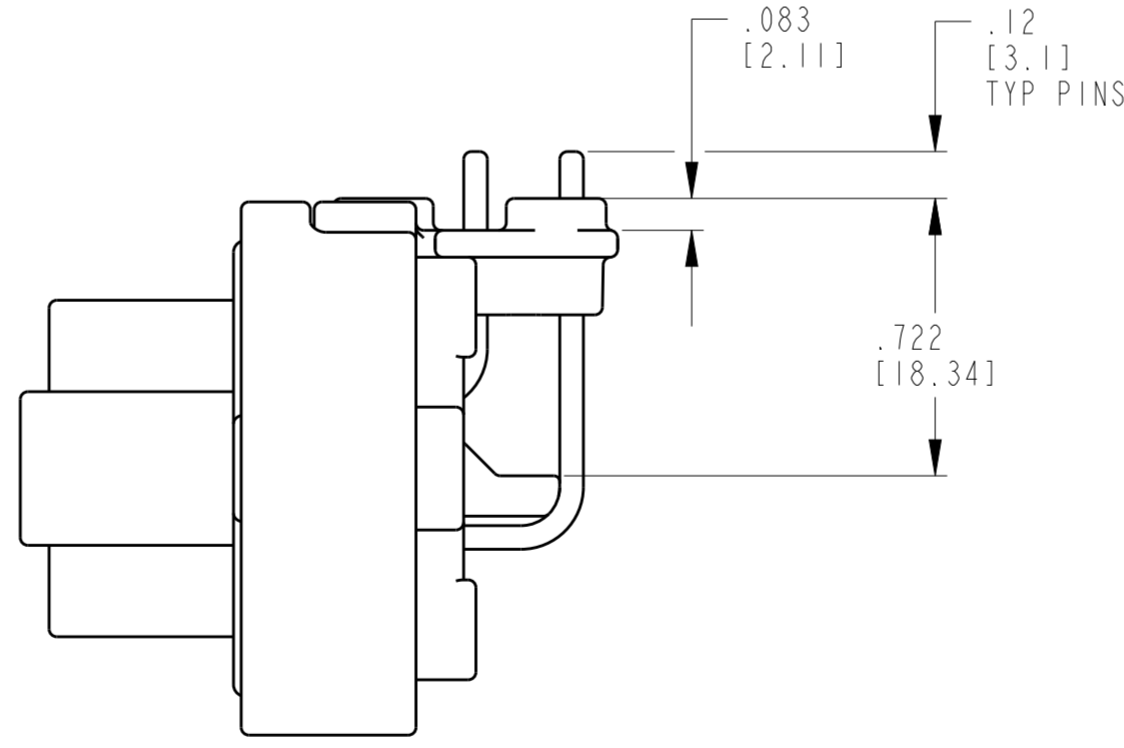
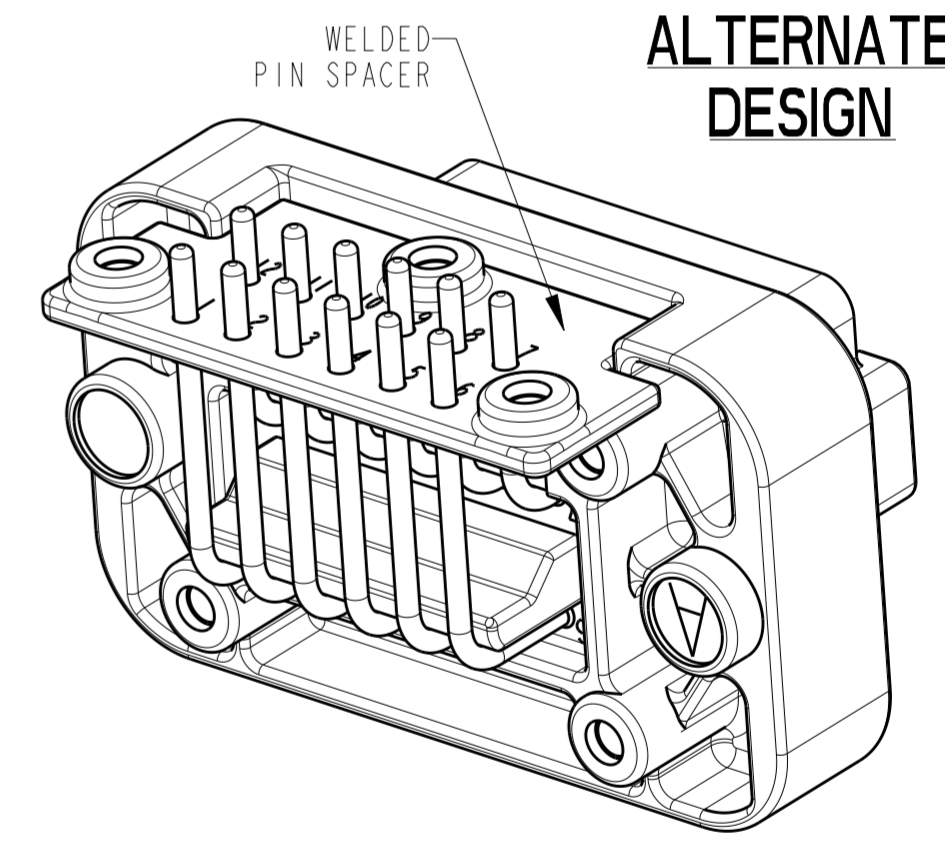
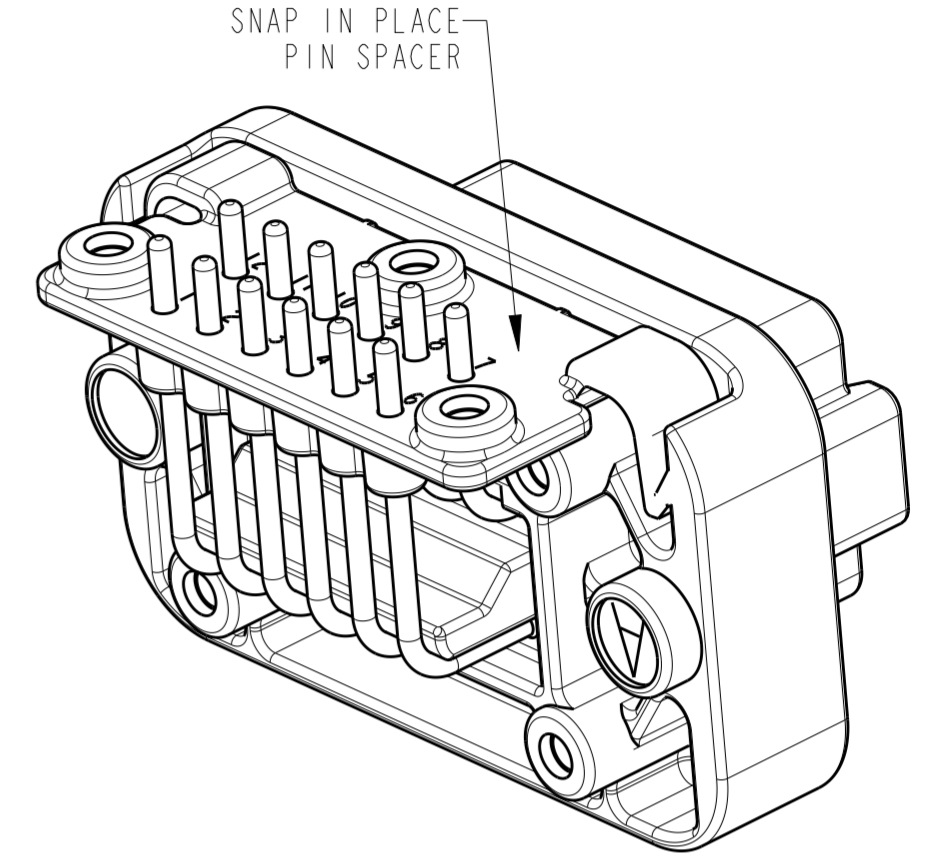
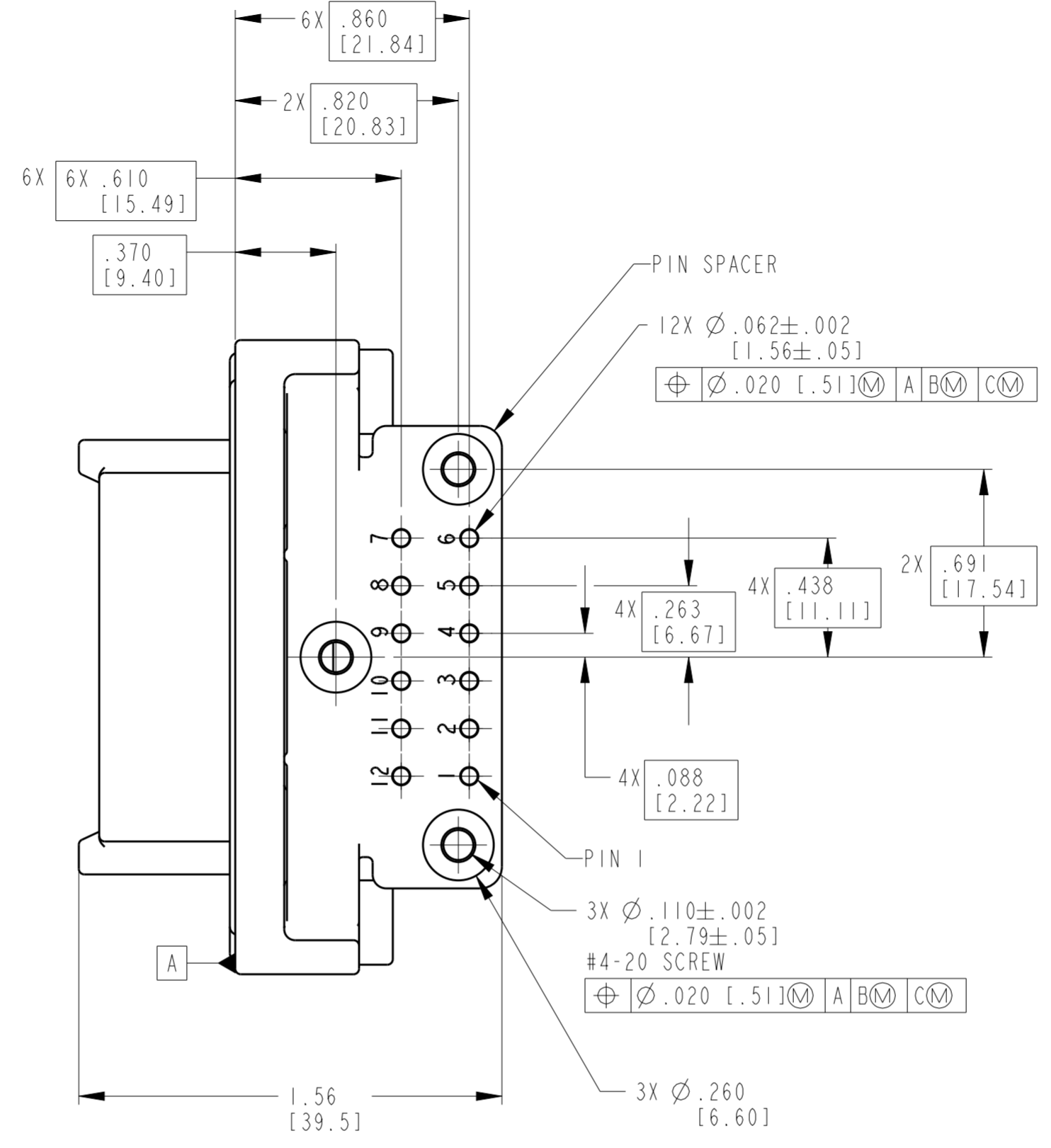
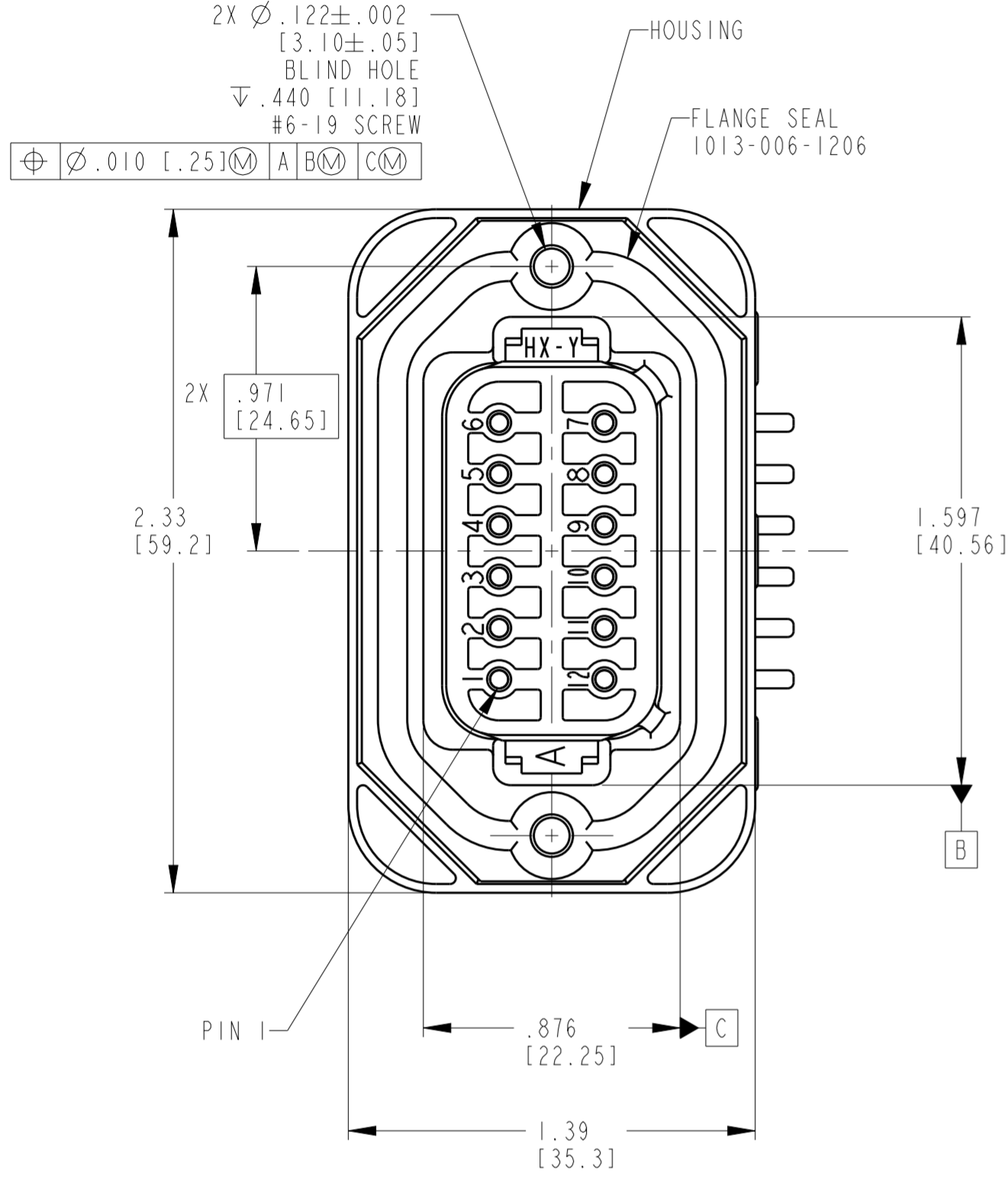


REVISIONS					
P	LTR	DESCRIPTION	DATE	DWN	APVD
A		REVISED PER E.O. P19196	13JUN2006		RDR
B		REVISED PER E.O. P21065	26AUG2011		RDR
C		REVISED PER PCN :E-17-013520	25JUL2017	DD	DM
CI		REVISED PER PCN :E-20-011899	21AUG2020	DB	IG



- 9 ALTERNATE PIN SPACER DESIGN RELATED TO MOLDING TOOL.
- 8 MOUNTING SURFACE SPECIFICATIONS:
SURFACE FINISH: 32 µin [0.81 µm] Ra OR LESS
FLATNESS: .005 in/in [0.13 mm/mm] MAX
- 7. SEE SHEET 2 FOR RECOMMENDED PANEL CUTOUTS.
- 6. SEE SHEET 3 FOR OTHER KEY ARRANGEMENTS.
- 5. MOUNTING SCREW TORQUE VALUES ARE AS FOLLOWS:
#6-19 SCREWS: 11-15 in LB [1.24-1.70 N-m].
#4-20 SCREWS: 6-10 in LB [1.68-1.13 N-m].
VALUES VALID FOR PLASTITE 48 SCREWS ONLY.
- 4. RECOMMENDED MOUNTING SCREWS (NOT INCLUDED): CAMCAR PLASTITE 48, SINGLE HELIX.
- 3. THIS RECEPTACLE MATES WITH DT06-12SX PLUG (X = A,B,C,D KEYS, XXXX = ALL MODIFICATIONS).
- 2. CONTACT PLATING - MATING SIDE: NICKEL; PCB SIDE: TIN
- 1 MATERIALS:
HOUSING & PIN ALIGNMENT PLATE: PA46 GF30 (SEE SHEET 3 FOR COLORS)
FLANGE SEAL: VMO (RED-ORANGE)
PIN CONTACTS: COPPER ALLOY

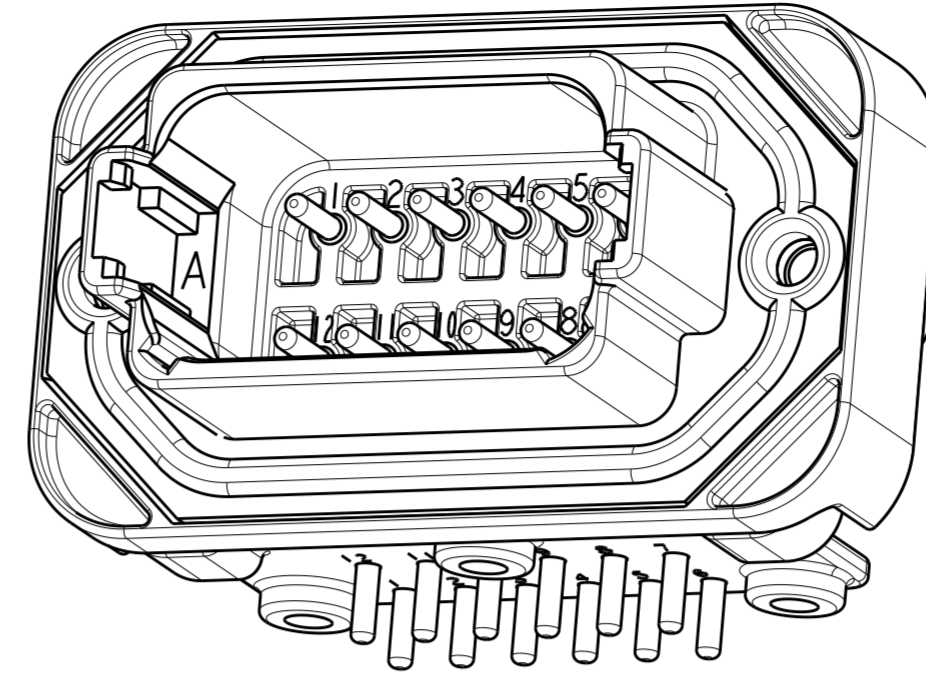
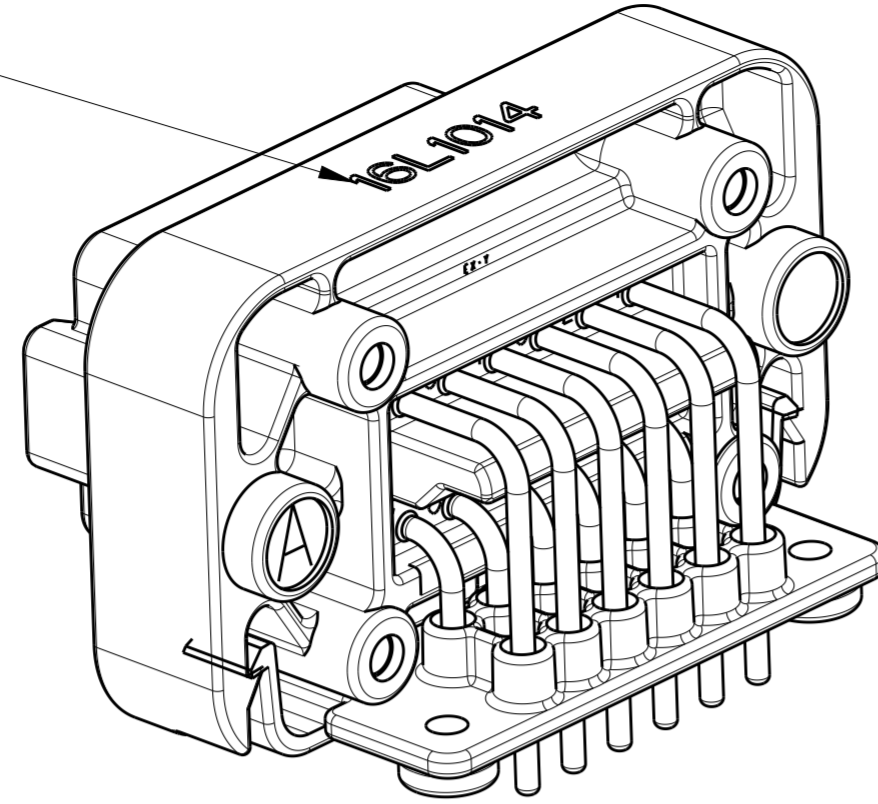
TE INTERNAL PN	DEUTSCH PN
DT13-12PA	DT13-12PA
DT13-12PB	DT13-12PB
DT13-12PC	DT13-12PC
DT13-12PD	DT13-12PD

THIS DRAWING IS A CONTROLLED DOCUMENT.

DIMENSIONS: in [mm]	TOLERANCES UNLESS OTHERWISE SPECIFIED: 0 PLC ± 1 PLC ±.025 [0.64] 2 PLC ±.010 [0.26] 3 PLC ± 4 PLC ± ANGLES ±0° 30' 0"	DWN P. BURKE 09AUG2001 CHK B. BYFORD 26AUG2011 APVD S. BEARD 25AUG2011	TE Connectivity NAME RECEPTACLE HEADER 12 PIN, 90 DEG DT SERIES
MATERIAL	FINISH	PRODUCT SPEC 108-151009 APPLICATION SPEC	

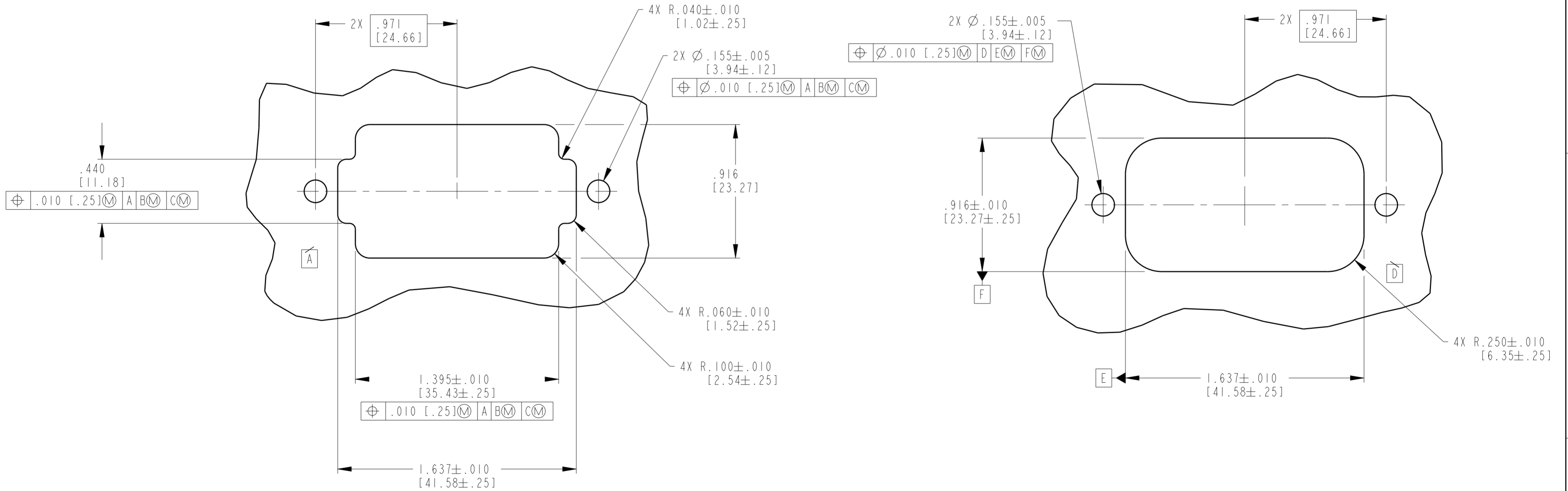
CUSTOMER DRAWING SCALE 2:1 SHEET 1 OF 3 REV C1

7 DIGIT DATECODE
 YEAR: FIRST AND SECOND DIGITS. (16 = 2016)
 MONTH: THRID DIGIT, EXCLUDING 1. A = JAN.,
 B = FEB., C = MARCH... (L = NOVEMBER)
 DAY: FOURTH AND FIFTH DIGITS (10 = 10th DAY)
 HOUR: SIXTH AND SEVENTH DIGITS (14 = 2-3PM)



3D VIEW

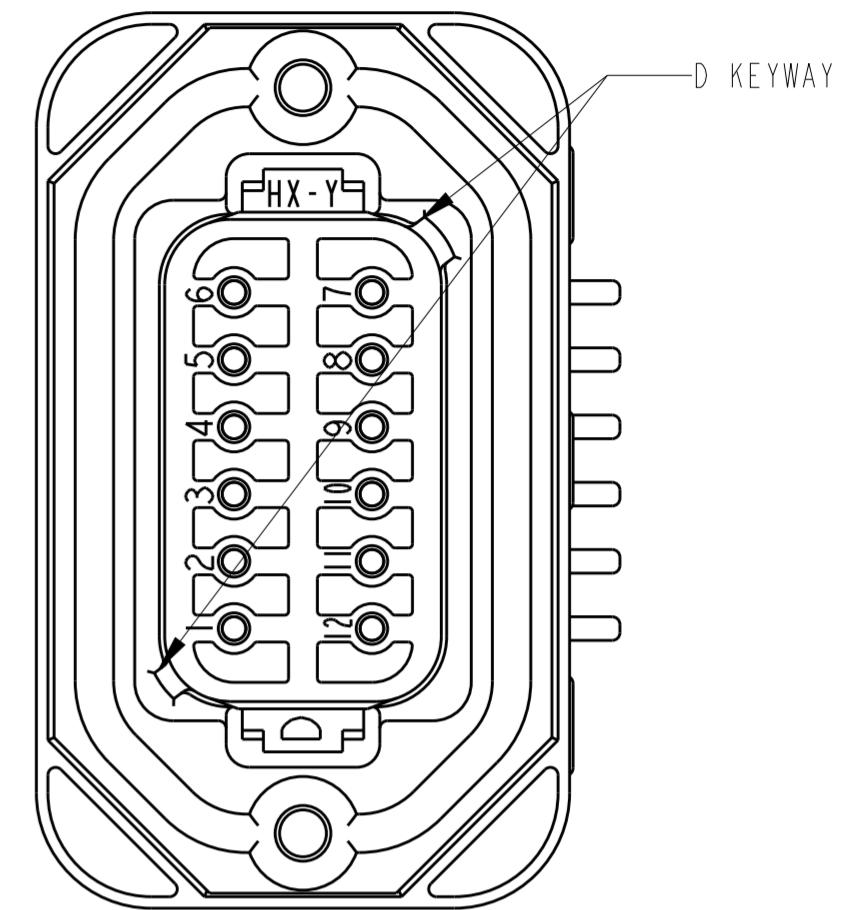
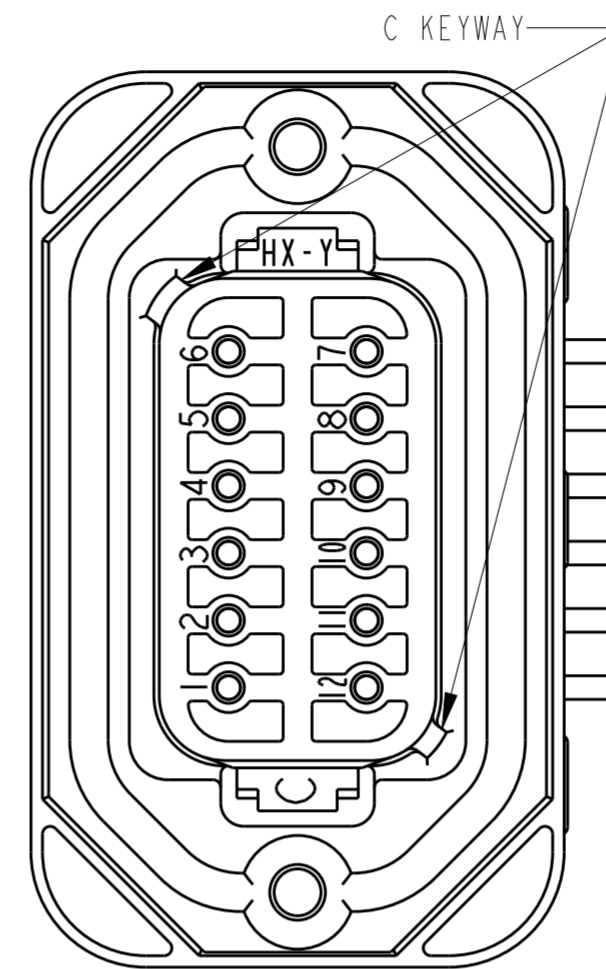
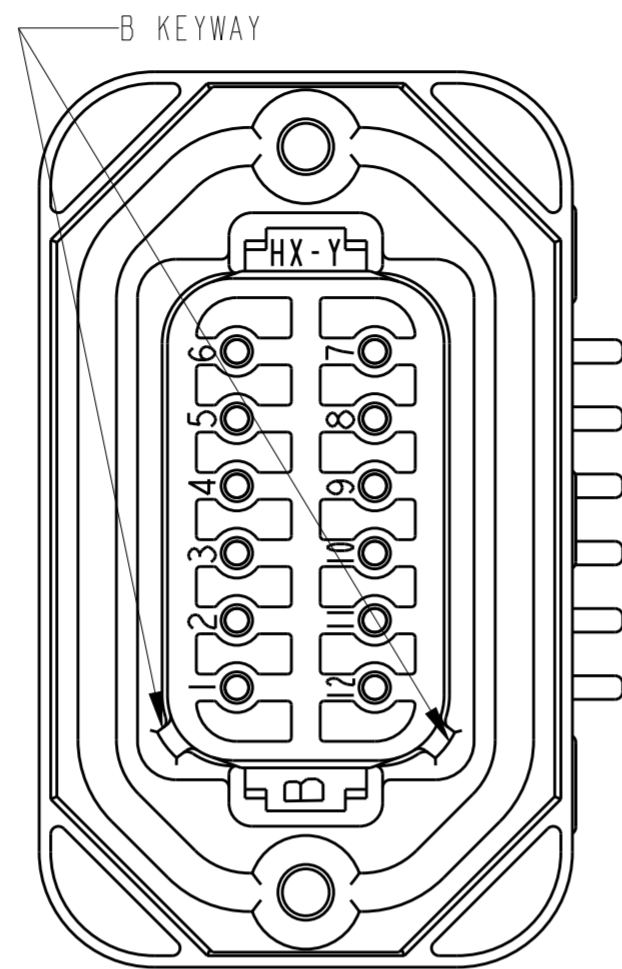
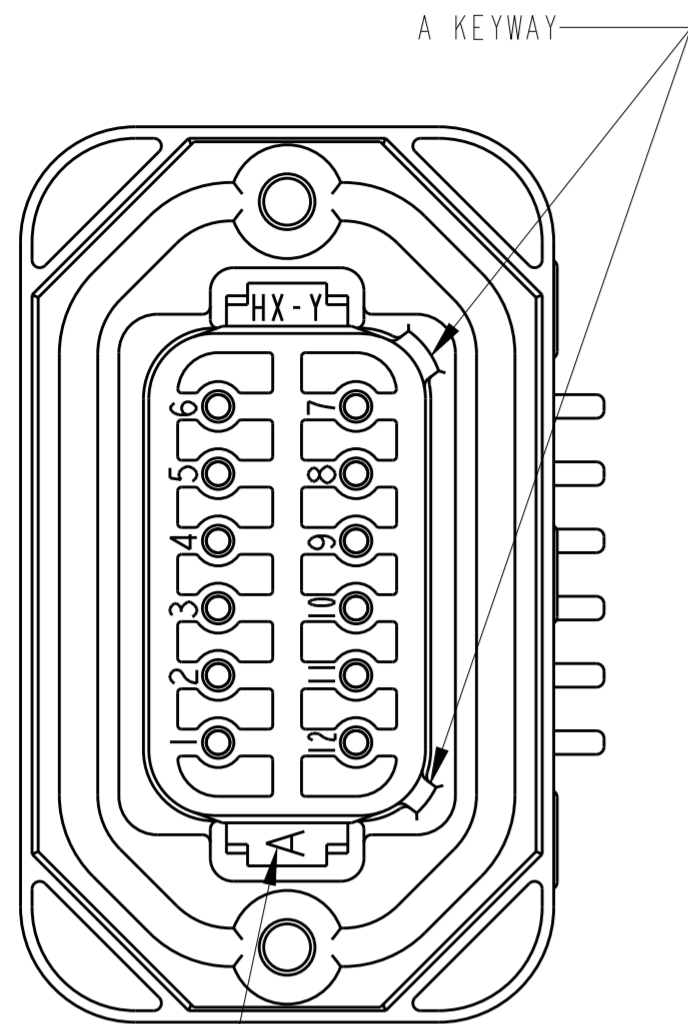
REVISIONS				
P	LTR	DESCRIPTION	DATE	APVD
-		SEE SHEET 1	-	-



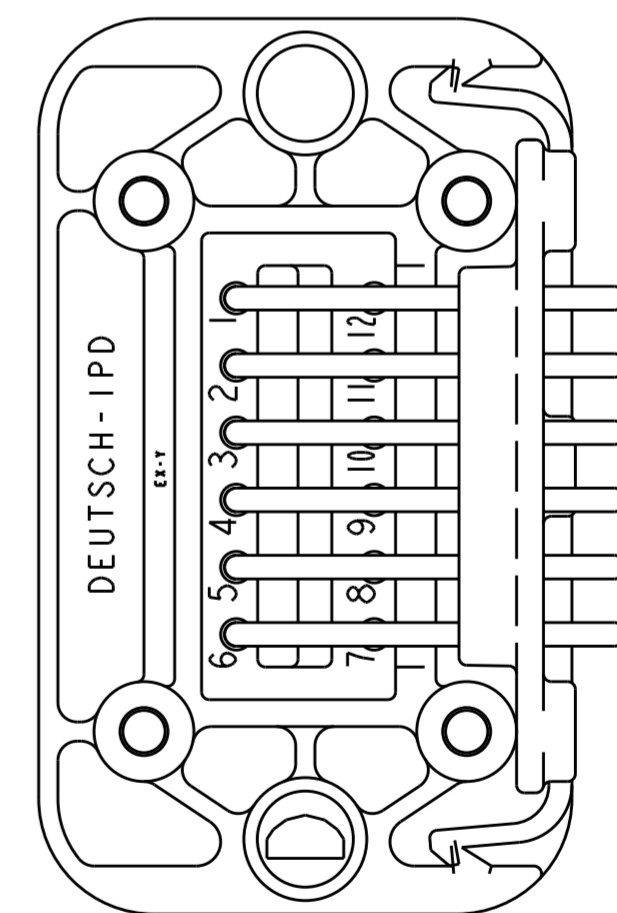
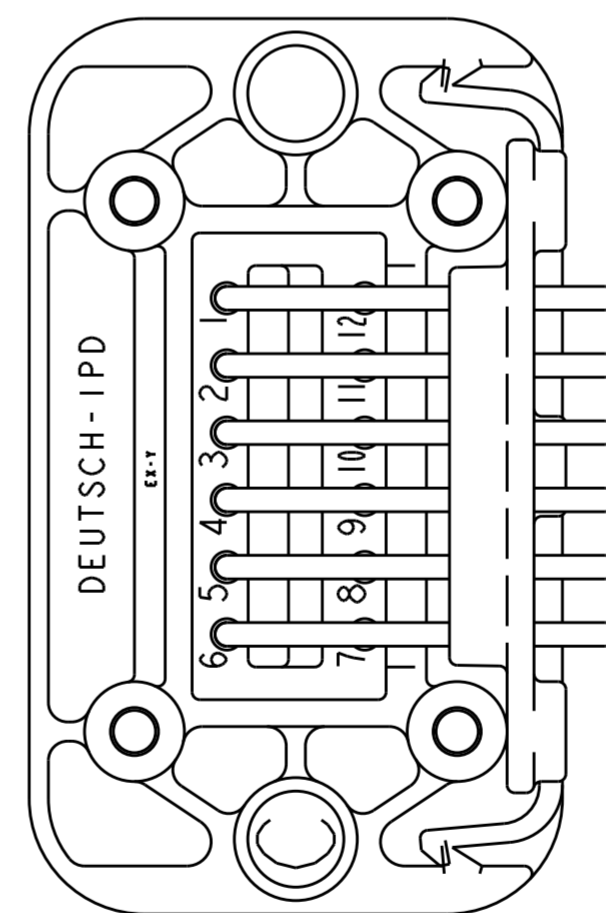
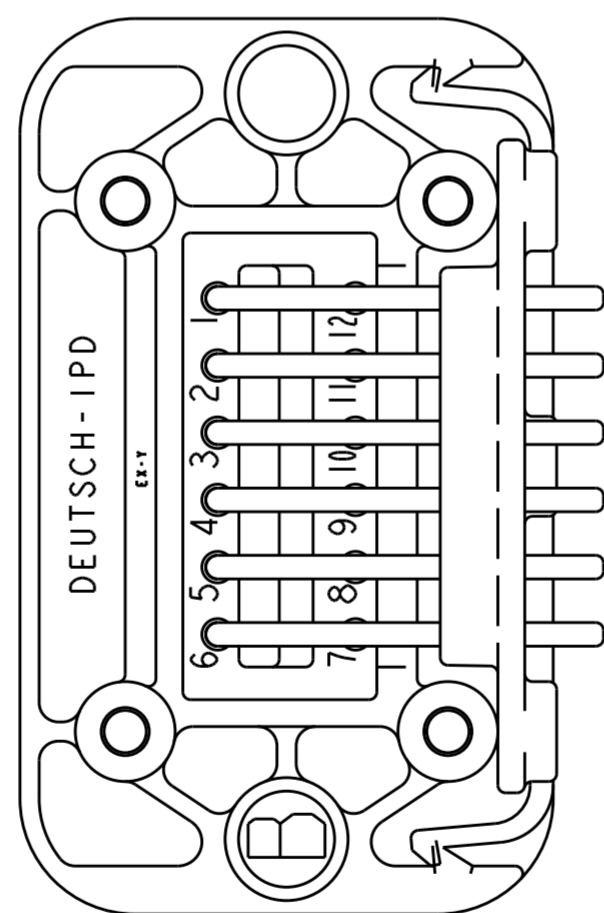
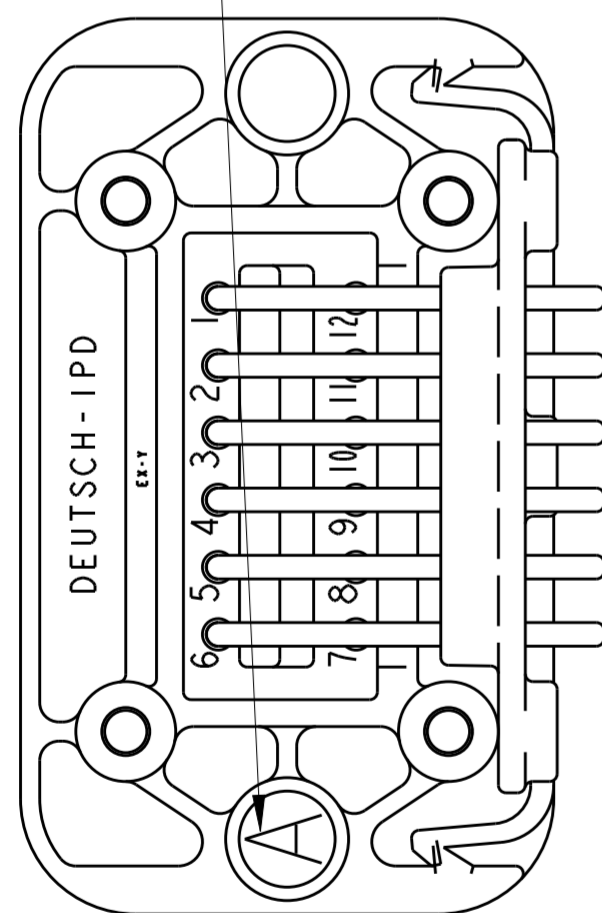
8 RECOMMENDED PANEL CUTOUTS

THIS DRAWING IS A CONTROLLED DOCUMENT.		DWN P. BURKE 09AUG2001	TE Connectivity	
DIMENSIONS: in [mm]		CHK B. BYFORD 26AUG2011		
TOLERANCES UNLESS OTHERWISE SPECIFIED:		APVD S. BEARD 25AUG2011	NAME RECEPTACLE HEADER 12 PIN, 90 DEG DT SERIES	
0 PLC ±		PRODUCT SPEC 108-151009	SIZE A2	
1 PLC ±.025 [0.64]		APPLICATION SPEC	CAGE CODE 4AFU8	DRAWING NO DT13-12PX-G003
2 PLC ±.010 [0.26]		WEIGHT -	RESTRICTED TO -	
3 PLC ±		CUSTOMER DRAWING	SCALE 2:1	SHEET 2 OF 3
4 PLC ANGLES ±0° 30' 0"			REV C1	
FINISH				

P	LTR	DESCRIPTION	DATE	DWN	APVD
-	-	SEE SHEET 1	-	-	-



KEYING ARRANGEMENT INDICATOR, TYP



DT13-12PA-G003
COLOR GREY

DT13-12PB-G003
COLOR BLACK

DT13-12PC-G003
COLOR GREEN

DT13-12PD-G003
COLOR BROWN

THIS DRAWING IS A CONTROLLED DOCUMENT.		DWN P. BURKE 09AUG2001	TE Connectivity NAME RECEPTACLE HEADER 12 PIN, 90 DEG DT SERIES		
DIMENSIONS: in [mm]		CHK B. BYFORD 26AUG2011			APVD S. BEARD 25AUG2011
TOLERANCES UNLESS OTHERWISE SPECIFIED:		PRODUCT SPEC 108-151009			
0 PLC ± 1 PLC ±.025 [0.64] 2 PLC ±.010 [0.26] 3 PLC ± 4 PLC ± ANGLES ±0° 30' 0" FINISH		APPLICATION SPEC			
MATERIAL		WEIGHT	SIZE A2	CAGE CODE 4AFU8	
		CUSTOMER DRAWING	DRAWING NO DT13-12PX-G003	RESTRICTED TO	
		SCALE 2:1	SHEET 3 OF 3	REV C1	