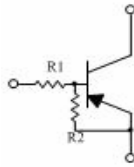


**Small Signal Diode**

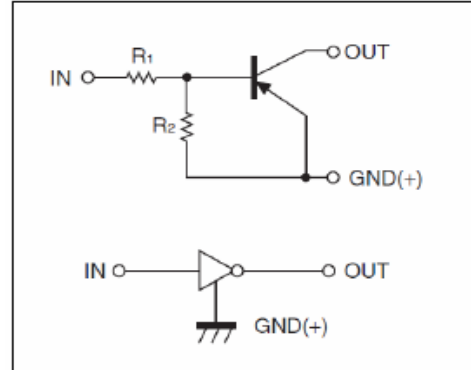


**DTA114 EM/EE/EUA/ECA/ESA  
PNP Digital Transistor**

**Features**

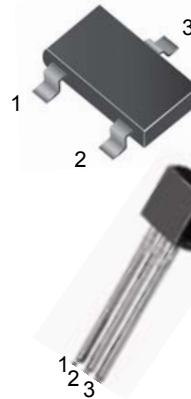
- ◇ Built-in bias resistors enable the configuration of an inverter circuit without connecting external input resistor (see equivalent circuit).
- ◇ The bias resistors consist of thin -film resistors with complete isolation to allow negative biasing of the input. They also have the advantage of almost completely eliminating parasitic effects.
- ◇ Only the on/off conditions need to be set for operation, making device design easy.
- ◇ Green compound (Halogen free) with suffix "G" on packing code and prefix "G" on date code.

**• Equivalent Circuit**



**Ordering Information**

Package	Part No.	Packing	Marking
SOT-723	DTA114 EM	8K / 7" Reel	14
SOT-523	DTA114 EE	3K / 7" Reel	14
SOT-323	DTA114 EUA	3K / 7" Reel	14
SOT-23	DTA114 ECA	3K / 7" Reel	14
TO-92S	DTA114 ESA	3K / 7" Reel	



**SOT-723/SOT-523  
SOT-323/SOT-23**

- 1.IN
- 2.GND
- 3.OUT

**TO-92S**

- 1.GND
- 2.OUT
- 3.IN

**Maximum Ratings and Electrical Characteristics**

Rating at 25°C ambient temperature unless otherwise specified.

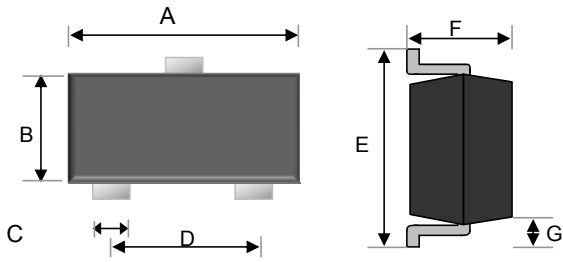
Type Number	Symbol	Value					Units
		EM	EE	EUA	ECA	ESA	
Power Dissipation	PD	100	150	200		300	mW
Supply Voltage	V <sub>CC</sub>	-50					V
Input Voltage	V <sub>IN</sub>	-40 ~ 10					V
Output Current	I <sub>O</sub>	-50					mA
Peak Collecto Current	I <sub>C(MAX)</sub>	-100					
Junction and Storage Temperature Range	T <sub>J</sub> , T <sub>STG</sub>	-55 to + 150					°C

Notes: 1. Valid provided that electrodes are kept at ambient temperature

Parameter	Symbol	Min	Typ	Max	Condition	Unit
Input Voltage	V <sub>I(on)</sub>			-3	V <sub>CC</sub> =-5V, I <sub>O</sub> =-100μA	V
	V <sub>I(off)</sub>	-0.5			V <sub>O</sub> =-0.3V, I <sub>O</sub> =-10mA	
Output Voltage	V <sub>O(on)</sub>			-0.3	I <sub>O</sub> /I <sub>I</sub> =-10mA/-5mA	V
Input Current	I <sub>I</sub>			-0.88	V <sub>I</sub> =-5V	mA
Output Current	I <sub>O (off)</sub>			-0.5	V <sub>CC</sub> =-50V, V <sub>I</sub> =0	μA
DC Current Gain	G <sub>I</sub>	30			V <sub>O</sub> =-5V, I <sub>O</sub> =-5mA	
Input Resistance	R <sub>1</sub>	7	10	13		KΩ
Resistance Ratio	R <sub>2</sub> /R <sub>1</sub>	0.8	1	1.2		
Transition Frequency	f <sub>T</sub>		250		V <sub>O</sub> =-10V, I <sub>O</sub> =-5mA, f=100MHz	MHz

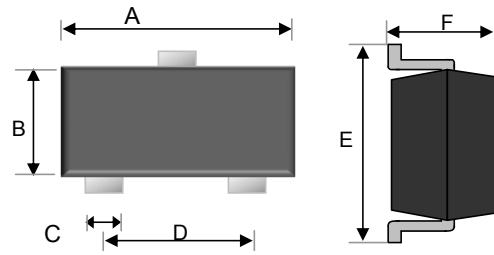
### DTA114 EM/EE/EUA/ECA/ESA PNP Digital Transistor

**SOT-23**



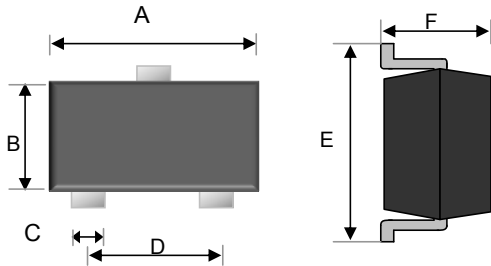
Dimensions	Unit (mm)		Unit (inch)	
	Min	Max	Min	Max
A	2.80	3.00	0.11	0.12
B	1.20	1.40	0.05	0.06
C	0.30	0.50	0.01	0.02
D	1.80	2.00	0.07	0.08
E	2.25	2.55	0.09	0.10
F	0.90	1.20	0.04	0.04
G	0.550 REF		0.022 REF	

**SOT-323**



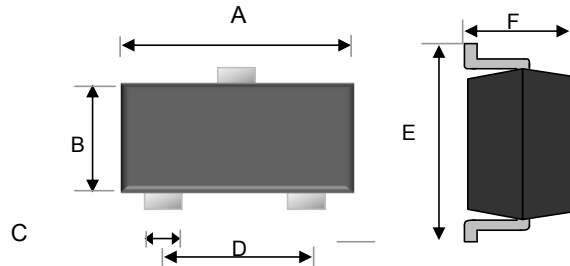
Dimensions	Unit (mm)		Unit (inch)	
	Min	Max	Min	Max
A	1.90	2.10	0.07	0.08
B	1.15	1.35	0.05	0.05
C	0.25	0.35	0.01	0.01
D	1.20	1.40	0.05	0.06
E	2.00	2.20	0.08	0.09
F	0.80	1.00	0.03	0.04

**SOT-523**



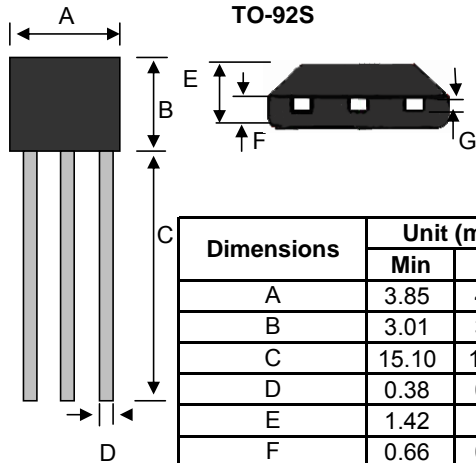
Dimensions	Unit (mm)		Unit (inch)	
	Min	Max	Min	Max
A	1.50	1.70	0.06	0.07
B	0.70	0.80	0.03	0.03
C	0.25	0.35	0.01	0.01
D	0.90	1.10	0.04	0.04
E	1.50	1.70	0.06	0.07
F	0.70	0.90	0.03	0.04

**SOT-723**



Dimensions	Unit (mm)		Unit (inch)	
	Min	Max	Min	Max
A	1.15	1.25	0.05	0.05
B	0.75	0.85	0.03	0.03
C	0.17	0.27	0.01	0.01
D	0.8 TYP		0.31 TYP	
E	1.15	1.25	0.05	0.05
F		0.50		0.02

**TO-92S**



Dimensions	Unit (mm)		Unit (inch)	
	Min	Max	Min	Max
A	3.85	4.15	0.15	0.16
B	3.01	3.31	0.12	0.13
C	15.10	15.50	0.59	0.61
D	0.38	0.55	0.01	0.02
E	1.42	1.62	0.06	0.06
F	0.66	0.86	0.03	0.03
G	0.36	0.51	0.01	0.02