



DTC123E

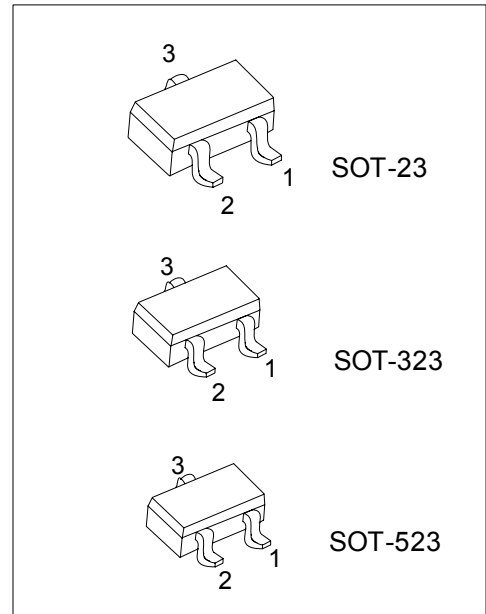
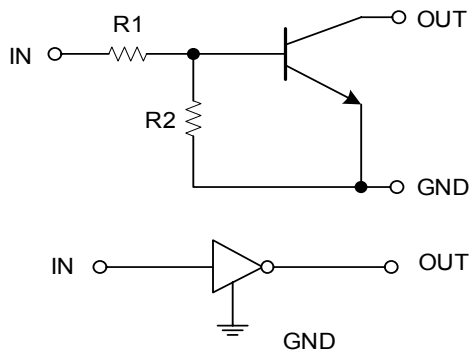
NPN EPITAXIAL SILICON TRANSISTOR

DIGITAL TRANSISTORS (BUILT-IN RESISTORS)

FEATURES

- * Built-in bias resistors that implies easy ON/OFF applications.
- * The bias resistors are thin-film resistors with complete isolation to allow negative input.

EQUIVALENT CIRCUIT



*Pb-free plating product number:DTC123EL

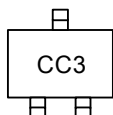
www.DataSheet4U.com

ORDERING INFORMATION

Order Number		Package	Pin Assignment			Packing
Normal	Lead Free Plating		1	2	3	
DTC123E-AE3-6-R	DTC123EL-AE3-6-R	SOT-23	G	I	O	Tape Reel
DTC123E-AL3-6-R	DTC123EL-AL3-6-R	SOT-323	G	I	O	Tape Reel
DTC123E-AN3-6-R	DTC123EL-AN3-6-R	SOT-523	G	I	O	Tape Reel

<p>DTC123EL-AE3-6-R</p> <p>(1)Packing Type (2)Pin Assignment (3)Package Type (4)Lead Plating</p>	<p>(1) R: Tape Reel (2) refer to Pin Assignment (3) AE3: SOT-23, AL3: SOT-323, AN3: SOT-523 (4) L: Lead Free Plating, Blank: Pb/Sn</p>
--	--

MARKING



■ ABSOLUTE MAXIMUM RATINGS (Ta=25°C)

PARAMETER		SYMBOL	RATINGS	UNIT
Supply Voltage		V_{CC}	50	V
Input Voltage		V_{IN}	-10 ~ +12	V
Output Current		I_{OUT}	100	mA
Power Dissipation	SOT-523	P_D	150	mW
	SOT-23/SOT-323		200	mW
Junction Temperature		T_J	+150	°C
Storage Temperature		T_{STG}	-55 ~ +150	°C

Note Absolute maximum ratings are those values beyond which the device could be permanently damaged.

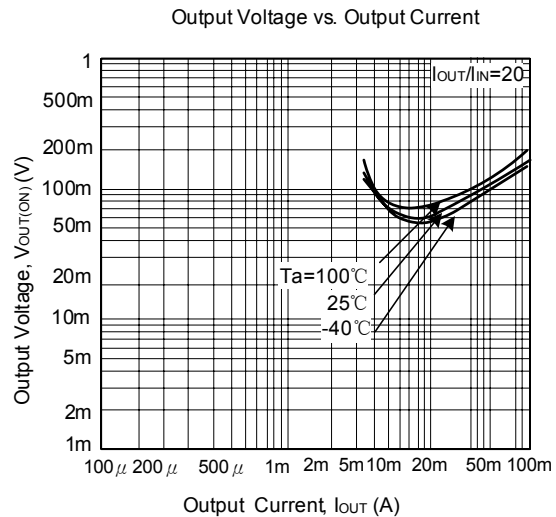
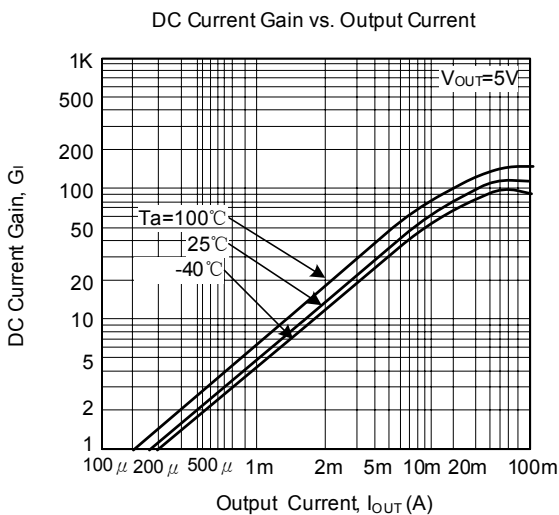
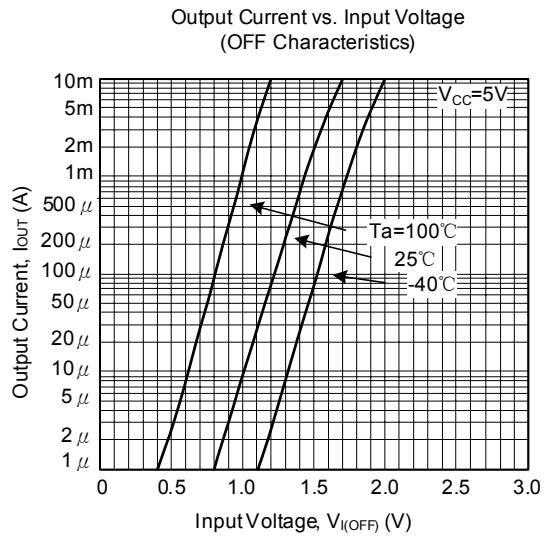
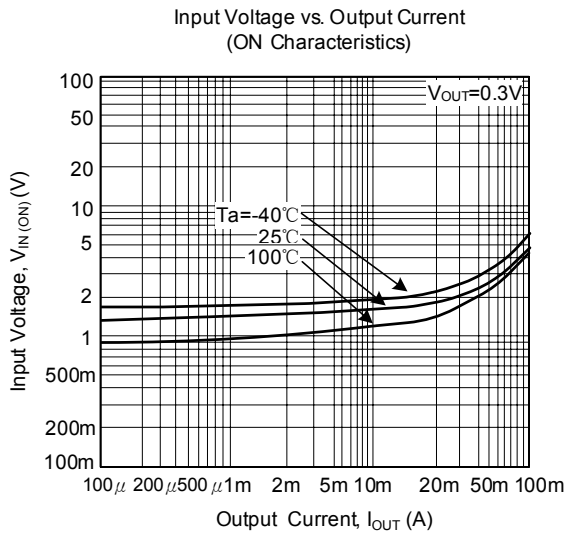
Absolute maximum ratings are stress ratings only and functional device operation is not implied.

■ ELECTRICAL SPECIFICATIONS (Ta=25°C)

PARAMETER	SYMBOL	TEST CONDITIONS	MIN	TYP	MAX	UNIT
Input Voltage	$V_{IN(OFF)}$	$V_{CC} = 5V, I_{OUT} = 100\mu A$			0.5	V
	$V_{IN(ON)}$	$V_{OUT} = 0.3V, I_{OUT} = 20mA$	3			
Output Voltage	$V_{OUT(ON)}$	$I_{OUT}/I_{IN} = 10mA/0.5mA$		0.1	0.3	V
Input Current	I_{IN}	$V_{IN} = 5V$			3.8	mA
Output Current	$I_{OUT(OFF)}$	$V_{CC} = 50V, V_{IN} = 0V$			0.5	μA
DC Current Gain	G_{IN}	$V_{OUT} = 5V, I_{OUT} = 20mA$	20			
Input Resistance	R_1		1.54	2.2	2.86	K Ω
Resistance Ratio	R_2/R_1		0.8	1	1.2	
Transition Frequency	f_T	$V_{CE} = 10V, I_E = -5mA, f = 100MHz$ *		250		MHz

* Transition frequency of the device

■ TYPICAL CHARACTERISTIC



UTC assumes no responsibility for equipment failures that result from using products at values that exceed, even momentarily, rated values (such as maximum ratings, operating condition ranges, or other parameters) listed in products specifications of any and all UTC products described or contained herein. UTC products are not designed for use in life support appliances, devices or systems where malfunction of these products can be reasonably expected to result in personal injury. Reproduction in whole or in part is prohibited without the prior written consent of the copyright owner. The information presented in this document does not form part of any quotation or contract, is believed to be accurate and reliable and may be changed without notice.