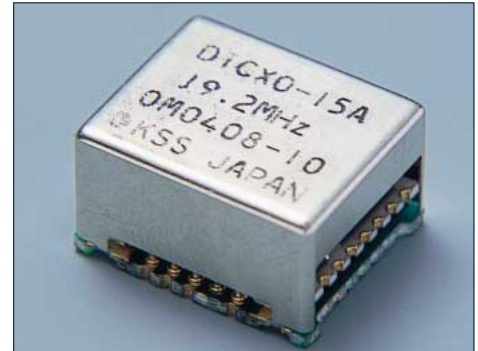


# DTCXO-15A

## SMD•Digital TCXO

### ■Features

- Small Size (14.0×11.5×8.0mm), Lead-less type (SMD)
- Supply voltage of 3.3V or 5.0V is available.
- Digital processing Temperature Compensated Crystal Oscillator
- High stability ( $\pm 0.3 \times 10^{-6}$  MAX./-30~80°C)



### ■Typical Applications

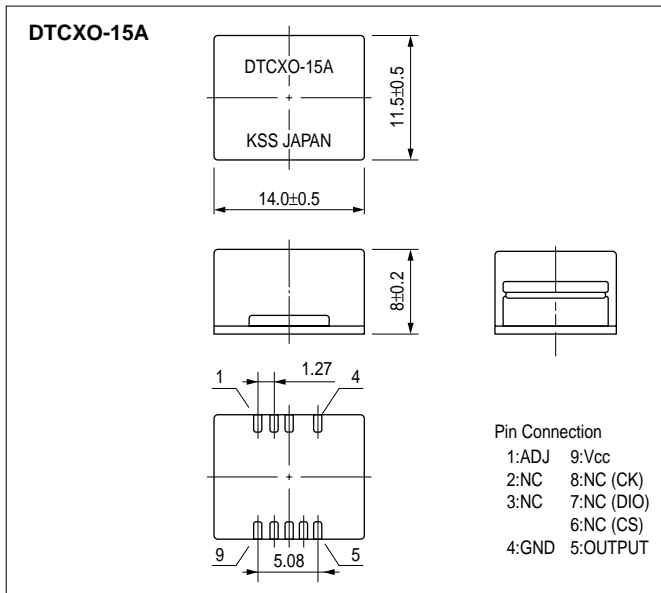
- Reference Oscillator
- PLL Oscillator

### ■Specifications

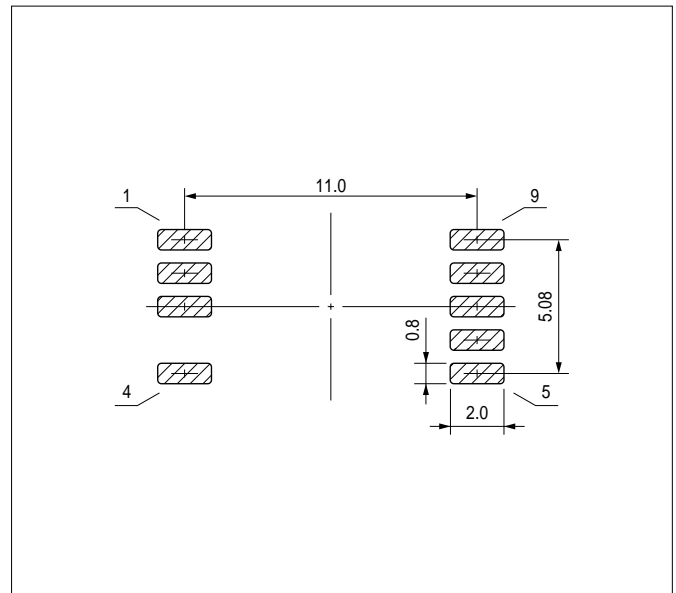
Item	Type	DTCXO-15A
Frequency Range		10~40MHz
Operating Temperature Range		-30~+80°C
Storage Temperature Range		-40~+85°C
Frequency Temperature Characteristics		$\pm 0.3 \times 10^{-6}$ MAX./-30~+80°C (1pin Open)
Frequency Aging		$\pm 0.7 \times 10^{-6}$ MAX./year
Supply Voltage Change		$\pm 0.05 \times 10^{-6}$ MAX./+3.3V $\pm 5\%$
Zero adjustment function by external voltage.		$\pm 10 \times 10^{-6}$ MIN./+1.5V $\pm 1.0$ V (1pin Positive)
Power Supply Voltage		+3.3 $\pm 5\%$ *
Power Supply		15mA MAX./+3.3V
Output Level		C-MOS Level
Output Symmetry		30%~70%

\*Supply voltage of 3.0 or 5.0V is available.

### ■Outline



### ■Land Pattern (reference)



Dimensions(mm)