

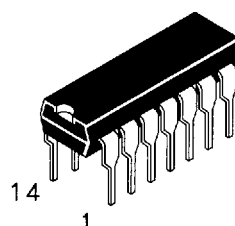
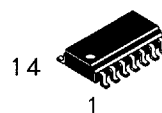
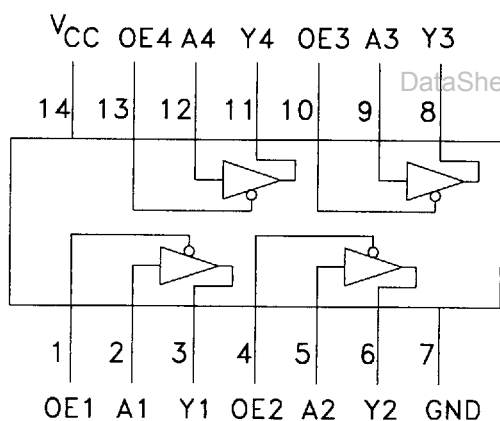
Technical Data

Available Q3, 1995

Quad Buffer with 3-State Outputs

This Quad 3-State Buffer contains four independent gates, each of which performs a non-inverting buffer function. Buffer outputs are maintained in the three-state (high impedance state) during power supply ramp-up or ramp-down. This eliminates bus glitching problems that arise during power-up and power-down.

- **Advanced very high speed CMOS**
- **Outputs source/sink 24 mA**
- **Transmission line driving 50 ohms**
- **ACT has TTL compatible inputs**
- **Operation from 2 to 6 volts guaranteed**
- **DC & AC Parameters guaranteed over -40 to +85°C**
- **Buffered Outputs tristated during power up/down**

DV74AC125
DV74ACT125

 N Suffix
 Plastic DIP
 AVG-001 Case

 D Suffix
 Plastic SOP
 AVG-002 Case


Inputs		Outputs
OE	A	Y
L	L	L
L	L	H
H	X	Z

H=High Level Logic
 L=Low Level Logic
 X=Don't Care
 Z=3-State High Impedance State
 (Outputs Disabled)

ABSOLUTE MAXIMUM RATINGS

Maximum ratings are those values beyond which damage to the device may occur.

Symbol	Parameter	AC125, ACT125	Unit
V _{CC}	DC Supply Voltage (Referenced to GND)	- 0.5 to +7.0	V
V _{IN}	DC Input Voltage (Referenced to GND)	- 0.5 to V _{CC} +0.5	V
V _{OUT}	DC Output Voltage (Referenced to GND)	- 0.5 to V _{CC} +0.5	V
I _{IN}	DC Input Current, per Pin	± 20	mA
I _{OUT}	DC Output Sink/Source Current, per Pin	± 50	mA
I _{CC}	DC V _{CC} or GND Current per Output Pin	± 50	mA
T _{stg}	Storage Temperature	- 65 to +150	°C

GUARANTEED OPERATING CONDITIONS

Symbol	Parameter	Min	Typ	Max	Unit	
V _{CC}	Supply Voltage	'AC	2.0	5.0	6.0	V
		'ACT	4.5	5.0	5.5	
V _{IN} , V _{OUT}	DC Input Voltage, Output Voltage, (Ref. to GND)	0		V _{CC}	V	
t _r , t _f	Input Rise and Fall Time (Note 1) 'AC Devices	V _{CC} @ 3.0 V		150	ns/V	
		V _{CC} @ 4.5 V		40	ns/V	
		V _{CC} @ 5.5 V		25	ns/V	
t _r , t _f	Input Rise and Fall Time (Note 2) 'ACT Devices	V _{CC} @ 4.5 V		10	ns/V	
		V _{CC} @ 5.5 V		8.0	ns/V	
T _A	Operating Ambient Temperature Range	-40	25	85	°C	
C _{IN}	Input Capacitance	V _{CC} = 5.0 V	4.5		pF	
CPD	Power Dissipation Capacitance	V _{CC} = 5.0 V	45		pF	

1. V_{IN} from 30% to 70% V_{CC}2. V_{IN} from 0.8 to 2.0 V**AC — 125****DC ELECTRICAL CHARACTERISTICS**

Symbol	Parameter	Conditions	V _{CC} (V)	AC125			Unit
				TA = +25°C		TA = -40 to +85°C	
				Typ	Guaranteed Limits		
V _{IH}	Minimum High Level Input Voltage	V _{OUT} = 0.1V or V _{CC} - 0.1 V	3.0	1.5	2.1	2.1	V
			4.5	2.25	3.15	3.15	
			5.5	2.75	3.85	3.85	
V _{IL}	Maximum Low Level Input Voltage	V _{OUT} = 0.1V or V _{CC} - 0.1 V	3.0	1.5	0.9	0.9	V
			4.5	2.25	1.35	1.35	
			5.5	2.75	1.65	1.65	
V _{OH}	Minimum High Level Output Voltage	I _{OUT} = -50 μA	3.0	2.99	2.9	2.9	V
			4.5	4.49	4.4	4.4	
			5.5	5.49	5.4	5.4	
		V _{IN} = V _{IL} or V _{IH} -12mA	3.0		2.56	2.46	V
		I _{OH} -24mA -24mA	4.5		3.86	3.76	
5.5		4.86	4.76				
V _{OL}	Maximum Low Level Output Voltage	I _{OUT} = 50 μA	3.0	0.002	0.1	0.1	V
			4.5	0.001	0.1	0.1	
			5.5	0.001	0.1	0.1	
		V _{IN} = V _{IL} or V _{IH} 12mA	3.0		0.36	0.44	V
		I _{OL} 24mA 24mA	4.5		0.36	0.44	
5.5		0.36	0.44				
I _{IN}	Maximum Input Leakage Current	V _{IN} = V _{CC} or GND	5.5		±0.1	±1.0	μA
I _{OZ}	Maximum Output Leakage Current	V _{IN} = V _{IH} or V _{IL} V _{OUT} = V _{CC} or GND	5.5		±0.5	±5.0	μA
I _{CC}	Maximum Quiescent Supply Current	V _{IN} = V _{CC} or GND			4.0	40	μA

AC CHARACTERISTICS over full operating conditions

Symbol	Parameter	V _{CC} ±10% (V)	ACT125				Unit
			T _A = +25°C C _L = 50 pF		T _A = -40°C to +85°C C _L = 50 pF		
			Min	Max	Min	Max	
t _{PLH}	Propagation Delay Data to Output	3.3	1.0	9.0	1.0	10.0	ns
		5.0	1.0	7.0	1.0	7.5	
t _{PHL}		3.3	1.0	9.0	1.0	10.0	ns
		5.0	1.0	7.0	1.0	7.5	
t _{PZH}	Output Enable Time	3.3	1.0	10.5	1.0	11.0	ns
		5.0	1.0	7.0	1.0	8.0	
t _{PZL}		3.3	1.0	10.0	1.0	11.0	ns
		5.0	1.0	8.0	1.0	8.5	
t _{PHZ}	Output Disable Time	3.3	1.0	10.0	1.0	10.5	ns
		5.0	1.0	9.0	1.0	9.5	
t _{PLZ}		3.3	1.0	10.5	1.0	11.5	ns
		5.0	1.0	9.0	1.0	9.5	

ACT — 125**DC ELECTRICAL CHARACTERISTICS**

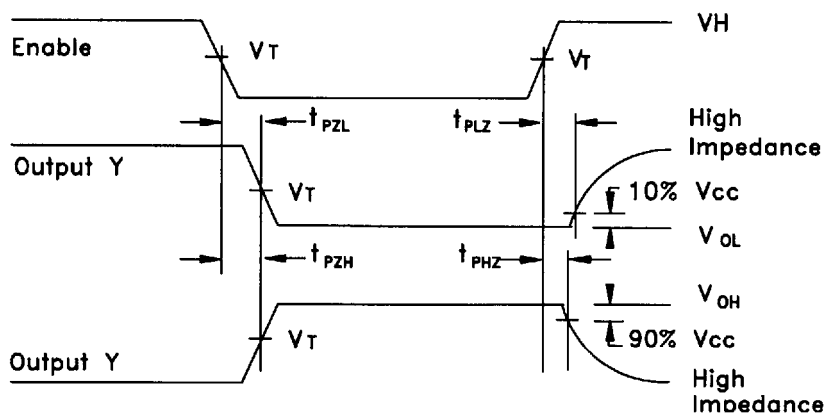
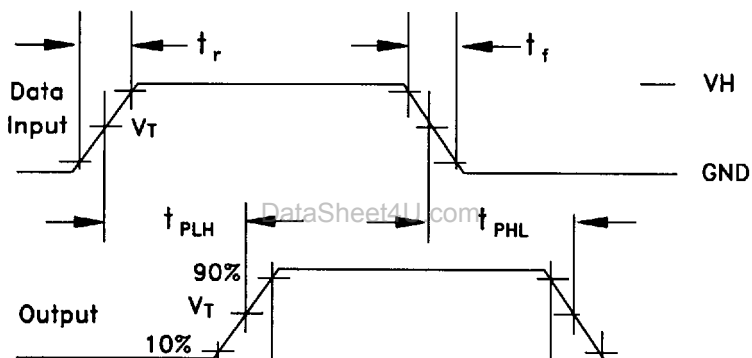
DataSheet4U.com

Symbol	Parameter	Conditions	V _{CC} (V)	ACT125			Unit
				T _A = +25°C		T _A = -40 to +85°C	
				Typ	Guaranteed Limits		
V _{IH}	Minimum High Level Input Voltage	V _{OUT} = 0.1V or V _{CC} - 0.1 V	4.5	1.5	2.0	2.0	V
			5.5	1.5	2.0	2.0	
V _{IL}	Maximum Low Level Input Voltage	V _{OUT} = 0.1V or V _{CC} - 0.1 V	4.5	1.5	0.8	0.8	V
			5.5	1.5	0.8	0.8	
V _{OH}	Minimum High Level Output Voltage	I _{OUT} = -50 μA	4.5	4.49	4.4	4.4	V
			5.5	5.49	5.4	5.4	
			V _{IN} = V _{IL} or V _{IH} I _{OH} = -24mA -24 mA	4.5		3.86	
5.5		4.86	4.76				
V _{OL}	Maximum Low Level Output Voltage	I _{OUT} = 50 μA	4.5	0.001	0.1	0.1	V
			5.5	0.001	0.1	0.1	
			V _{IN} = V _{IL} or V _{IH} I _{OL} = 24mA 24 mA	4.5		0.36	
5.5		0.36	0.44				
I _{IN}	Maximum Input Leakage Current	V _{IN} = V _{CC} or GND	5.5		±0.1	±1.0	μA
I _{oZ}	Maximum Output Leakage Current	V _{IN} = V _{IH} or V _{IL} V _{OUT} = V _{CC} or GND	5.5		±0.5	±5.0	μA
ΔI _{CC}	Additional Max I _{CC} per input	V _{IN} = V _{CC} - 2.1	5.5	0.6		1.5	mA
I _{CC}	Maximum Quiescent Supply Current	V _{IN} = V _{CC} or GND			4.0	40	μA

DataSheet4U.com

AC CHARACTERISTICS over full operating conditions

Symbol	Parameter	$V_{CC} \pm 10\%$ (V)	ACT125				Unit
			$T_A = +25^\circ\text{C}$ $C_L = 50\text{ pF}$		$T_A = -40^\circ\text{C to } +85^\circ\text{C}$ $C_L = 50\text{ pF}$		
			Min	Max	Min	Max	
t_{PLH}	Propagation Delay Data to Output	5.0	1.0	9.0	1.0	10.0	ns
t_{PHL}			1.0	9.0	1.0	10.0	
t_{PZH}	Output Enable Time	5.0	1.0	8.5	1.0	9.5	ns
t_{PZL}			1.0	9.5	1.0	10.5	
t_{PHZ}	Output Disable Time	5.0	1.0	9.5	1.0	10.5	ns
t_{PLZ}			1.0	10.0	1.0	10.5	

SWITCHING WAVEFORMS

Input and output threshold voltage:

 $V_T = 50\% V_{CC}$ for AC; 1.5V for ACT $V_H = V_{CC}$ for AC, 3V for ACT

DataSheet4U.com